

STUDER D820 MCH

Diagrams / Spare Parts



Prepared and edited by STUDER INTERNATIONAL TECHNICAL DOCUMENTATION
Althardstrasse 10, CH-8105 Regensdorf-Zürich, Switzerland

We reserve the right to make alterations
Copyright by WILLI STUDER AG
Printed in Switzerland
Order No.: 10.27.1730 (Ed. 09.91)

STUDER is a registered trade mark of STUDER INTERNATIONAL AG Regensdorf
STUDER ist ein eingetragenes Warenzeichen der STUDER INTERNATIONAL AG Regensdorf

1	Diagrams Digital Signal Processing
2	Diagrams Headelectronics
3	Diagrams Power Supply and Tape Deck Control
4	Diagrams Remotes
5	Spare Parts

Contents of Diagram Sections in Numerical Order

ESE = Electrostatically sensitive assembly

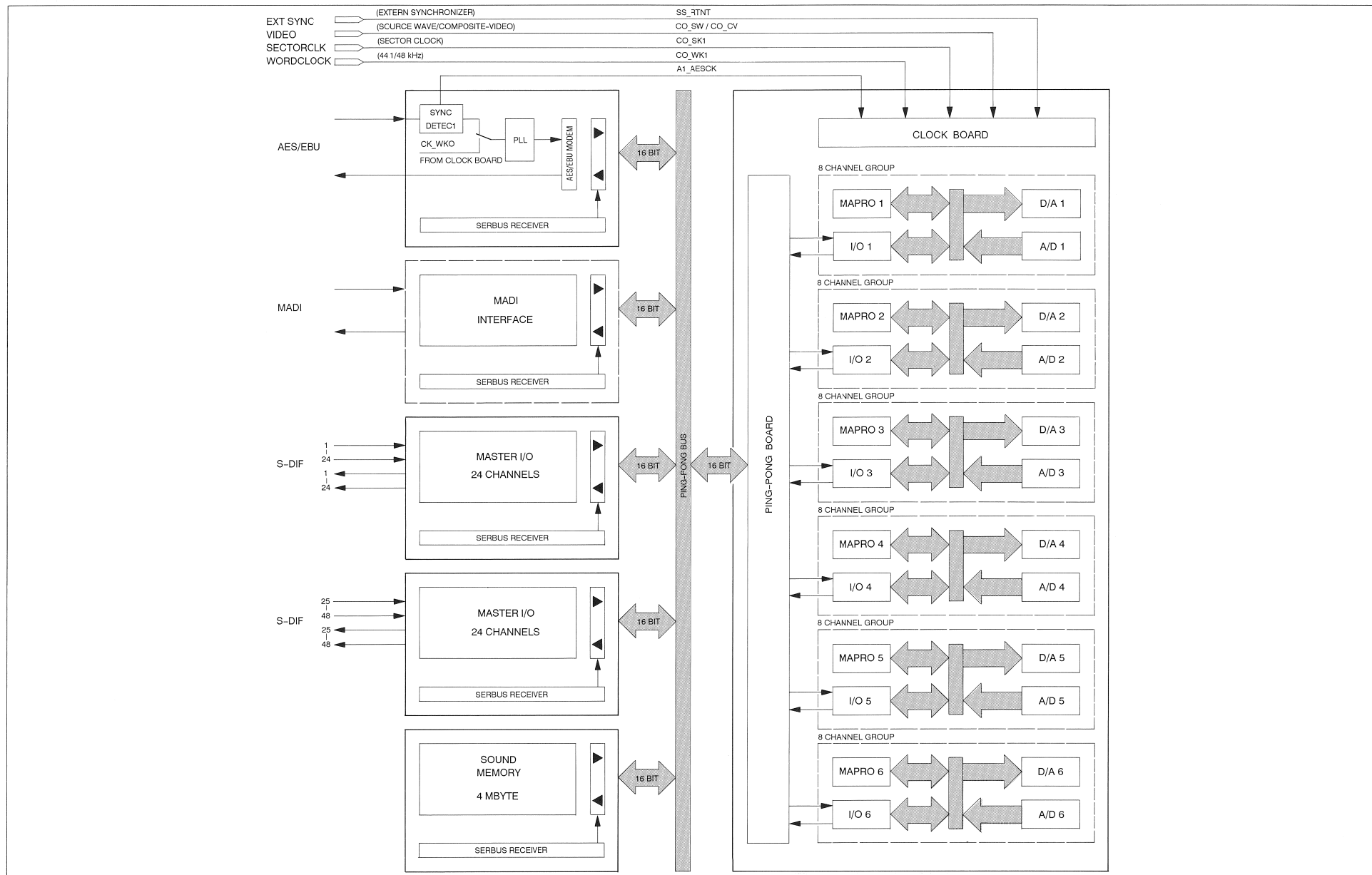
	Page
1.021.695.XX	Tacho Sensor Electronics 3/1
1.021.697.00	Hall Sensor Board..... 3/5
1.328.601.00	CR Aux Keys..... 4/1
1.328.602.21	CR Rembus & Processor 4/3
1.328.603.00	CR Channel Keys..... 4/13
1.328.611.00	AI Keys + Display 4/19
1.328.612.21	AI Rembus + UP 4/25
1.328.613.00	AI Shuttle 4/31
1.328.616.00	SMEM Keys & Display 4/33
1.328.621.00	RDP Levels 4/35
1.328.622.00	RDP Drivers 4/39
1.328.623.00	RDP Control Keys 4/43
1.328.624.00	RDP CPU Bus Interface 4/45
1.328.625.21	RDP UP 4/47
1.328.630.00	Blockdiagram Parallel Audio Interface 4/51
1.328.631.20	Pai Rembus + UP 4/53
1.328.632.00	Pai In/Out..... 4/55
1.328.633.00	Voltage Converter 60V/5V..... 4/59
1.328.634.00	PAI Backpanel..... 4/61
1.820.239.81	Display Unit Illuminated..... 3/7
1.820.250.00	Edit Assembly 3/23
1.820.727.00	Capstan Interface..... 3/9
1.820.738.84	Parallel Remote Interface 3/11
1.820.738.85	Parallel Remote Interface 3/13
1.820.759.85	Spooling Motor Driver..... 3/15
1.820.760.81	Spooling Motor Controller..... 3/17
1.820.762.81	Tape Deck Periphery Controller 3/19
1.820.763.83	Tape Deck Serial Interface 3/21
1.820.765.00	Cue Sensor PCB..... 3/23
1.820.766.00	Tape Deck Indicator Board 3/25
1.820.768.84	Tape Deck Display Driver 3/27
1.820.769.00	Tape Deck Pushbutton Board 3/29
1.820.770.82	Move Sensor Board..... 3/31
1.820.771.83	Motor Tacho Board..... 3/33
1.820.772.81	Tape Tension Sensor Board..... 3/35
1.820.773.82	Tape Lifter Control Board..... 3/37
1.820.774.25	Capstan Motor Drive Amplifier 3/39
1.820.776.00	Shuttle Control PCB..... 3/23
1.820.793.82	Opto Sensor Board..... 3/41
1.820.823.00	Tape Deck Counter Timer 3/43
1.820.830.81	Mains Soft Start Board..... 3/45
1.820.830.82	Mains Soft Start Board..... 3/47
1.820.831.81	Pinch Roller Gate 3/49
1.820.866.00	Fuse/Supply Failure Detector..... 3/51
1.820.869.00	Power Fail Sense Board..... 3/53
1.820.869.81	Power Fail Sense Board..... 3/55
1.820.872.82	Stabilizer +5V 3/59
1.820.872.83	Stabilizer +5V 3/63
1.820.873.82	Stabilizer +/-15V 3/69

STUDER D820 MCH

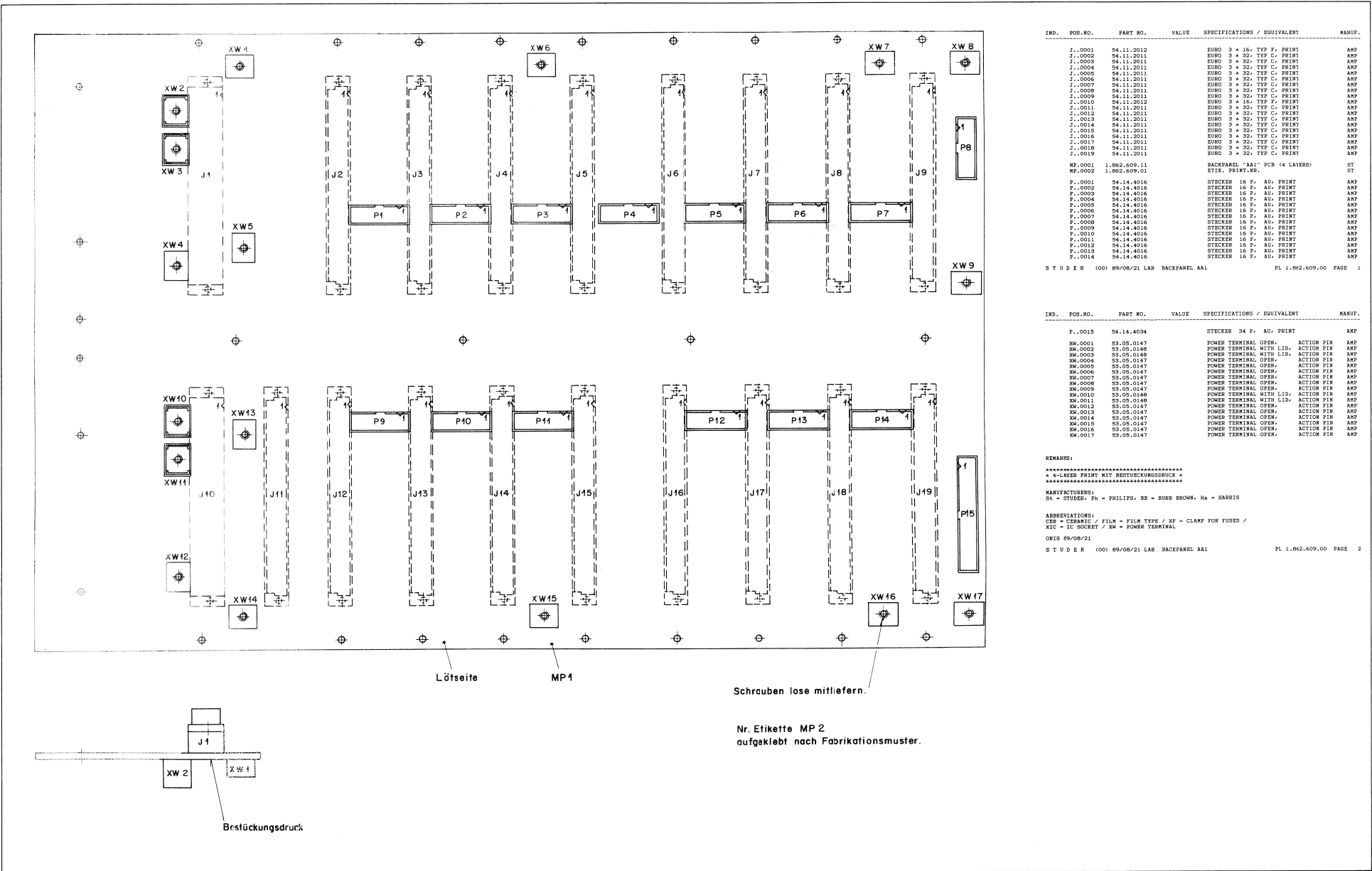
1.820.875.82	Spooling Motor Drive Amplifier	3/73
1.862.423.00	Rembus Dummy Plug	4/62
1.862.600.00	Stabilizer +18V	3/79
1.862.601.00	Stabilizer +5V	3/85
1.862.609.00	Backpanel AA1	1/3
1.862.610.00	Backpanel AA2	1/4
1.862.611.00	Backpanel AS1	1/5
1.862.612.00	Backpanel AS2	1/6
1.862.613.00	Analog Concentrator Unit	1/7
1.862.614.00	Digital Concentrator Unit	1/8
1.862.615.00	Micone	1/9
1.862.620.81	Power Supply	3/91
1.862.650.20	A/D Converter with Trafo	1/13
1.862.651.21	D/A Converter	1/23
1.862.652.21	MCH Data Processor	1/37
1.862.653.20	Input/Output Board	1/61
1.862.654.20	CPU Interface	1/71
1.862.656.21	Peripheral Interface	7/79
1.862.657.23	Reference Time Board	1/93
1.862.659.22	SSTC Board	1/103
1.862.660.22	Clock Board	1/117
1.862.661.20	CUE Modulator	1/133
1.862.662.20	Ping Pong	1/149
1.862.663.20	Master I/O	1/159
1.862.664.22	AES/EBU Interface	1/169
1.862.665.20	Sound Memory	1/179
1.862.670.00	Bus Termination	1/187
1.862.676.00	Anti Aliasing Filter	1/189
1.862.676.81	Anti Aliasing Filter	1/191
1.862.677.00	A/D Input Module	1/193
1.862.684.00	CUE Piggy Bag	1/195
1.862.685.21	Time Code Backbag	1/199
1.862.686.20	CPU Piggy Bag	1/207
1.862.687.00	TBC Assembly	1/209
1.862.688.00	Master I/O Input Backbag	1/211
1.862.689.00	Master I/O Output Backbag	1/213
1.862.701.00	Basis Board Tape Deck	3/95
1.862.703.00	Basis Board Equalizer	2/3
1.862.704.00	Basis Board Audio Control	2/4
1.862.710.00	Repro Preamplifier 48 CH	2/7
1.862.712.20	Record Amplifier 48 CH	2/13
1.862.714.00	Capstan Phase Control Board	3/97
1.862.715.00	Converter RS422/TTL	3/99
1.862.716.00	Record Current Driver 8CH	2/19
1.862.717.00	Erase Current Driver	2/25
1.862.718.00	Record Controller	2/29
1.862.719.00	Record Current Supply	2/31
1.862.720.00	Reproduce Controller	2/35
1.862.721.00	Equalizer, Data Detector	2/39
1.862.722.00	Read Unit RT/TC	2/43
1.862.723.81	Read Unit Cue Tracks	2/49
1.862.740.00	Record Current Switch	2/61
1.862.741.00	Junction Board Primary Record 48 CH	2/63
1.862.742.00	Equalizer Module	2/67
1.862.743.00	Preamplifier Power Supply	2/69
1.862.744.00	Distribution Board TD	3/101
1.862.749.00	Preamplifier PCM 1 CH	2/71

1.862.750.00.....	Preamplifier CUE 1 CH	2/73
1.862.751.00.....	Junction Board Sync Record 48 CH	2/75
1.862.764.20.....	Capstan Control Unit	3/103
1.862.767.00.....	Pushbutton/Display Board	3/105
1.862.781.20.....	MPU Tape Deck Control.....	3/107
1.862.811.00.....	DP Aux Keys.....	1/217
1.862.812.00.....	DP Aux Key Detection.....	1/221
1.862.813.00.....	DP Channel Keys+Levels	1/225
1.862.815.21.....	DP UP Board	1/229
1.862.819.00.....	DP Backpanel 16+	1/233
1.862.822.00.....	DP Backpanel 16+32.....	1/234

BLOCKDIAGRAM AUDIO SIGNAL PROCESSING



BACKPANEL AA1 1.862.609.00



IND.	POS.ND.	PART NO.	VALUE	SPECIFICATIONS / EQUIVALENT	MANUF.
J.	0001	54.11.2012		EURO 3 A 16 TYP F. PRINT	AMP
J.	0002	54.11.2011		EURO 3 A 32 TYP C. PRINT	AMP
J.	0003	54.11.2011		EURO 3 A 32 TYP C. PRINT	AMP
J.	0004	54.11.2011		EURO 3 A 32 TYP C. PRINT	AMP
J.	0005	54.11.2011		EURO 3 A 32 TYP C. PRINT	AMP
J.	0006	54.11.2011		EURO 3 A 32 TYP C. PRINT	AMP
J.	0007	54.11.2011		EURO 3 A 32 TYP C. PRINT	AMP
J.	0008	54.11.2011		EURO 3 A 32 TYP C. PRINT	AMP
J.	0009	54.11.2011		EURO 3 A 32 TYP C. PRINT	AMP
J.	0010	54.11.2012		EURO 3 A 16 TYP F. PRINT	AMP
J.	0011	54.11.2011		EURO 3 A 32 TYP C. PRINT	AMP
J.	0012	54.11.2011		EURO 3 A 32 TYP C. PRINT	AMP
J.	0013	54.11.2011		EURO 3 A 32 TYP C. PRINT	AMP
J.	0014	54.11.2011		EURO 3 A 32 TYP C. PRINT	AMP
J.	0015	54.11.2011		EURO 3 A 32 TYP C. PRINT	AMP
J.	0016	54.11.2011		EURO 3 A 32 TYP C. PRINT	AMP
J.	0017	54.11.2011		EURO 3 A 32 TYP C. PRINT	AMP
J.	0018	54.11.2011		EURO 3 A 32 TYP C. PRINT	AMP
J.	0019	54.11.2011		EURO 3 A 32 TYP C. PRINT	AMP
MP.	0001	1.862.609.11		BACKPANEL "AA1" PCB (4 LAYERS)	ST
MP.	0002	1.862.609.01		STIK. PRINT.MB.	ST
F.	0001	54.14.4016		STECKER 15 P. AU. PRINT	AMP
F.	0002	54.14.4016		STECKER 15 P. AU. PRINT	AMP
F.	0003	54.14.4016		STECKER 15 P. AU. PRINT	AMP
F.	0004	54.14.4016		STECKER 15 P. AU. PRINT	AMP
F.	0005	54.14.4016		STECKER 15 P. AU. PRINT	AMP
F.	0006	54.14.4016		STECKER 15 P. AU. PRINT	AMP
F.	0007	54.14.4016		STECKER 15 P. AU. PRINT	AMP
F.	0008	54.14.4016		STECKER 15 P. AU. PRINT	AMP
F.	0009	54.14.4016		STECKER 15 P. AU. PRINT	AMP
F.	0010	54.14.4016		STECKER 16 P. AU. PRINT	AMP
F.	0011	54.14.4016		STECKER 16 P. AU. PRINT	AMP
F.	0012	54.14.4016		STECKER 16 P. AU. PRINT	AMP
F.	0013	54.14.4016		STECKER 16 P. AU. PRINT	AMP
F.	0014	54.14.4016		STECKER 16 P. AU. PRINT	AMP

S T U D E R (00) 89/08/21 LAR BACKPANEL AA1 PL 1.862.609.00 PAGE 1

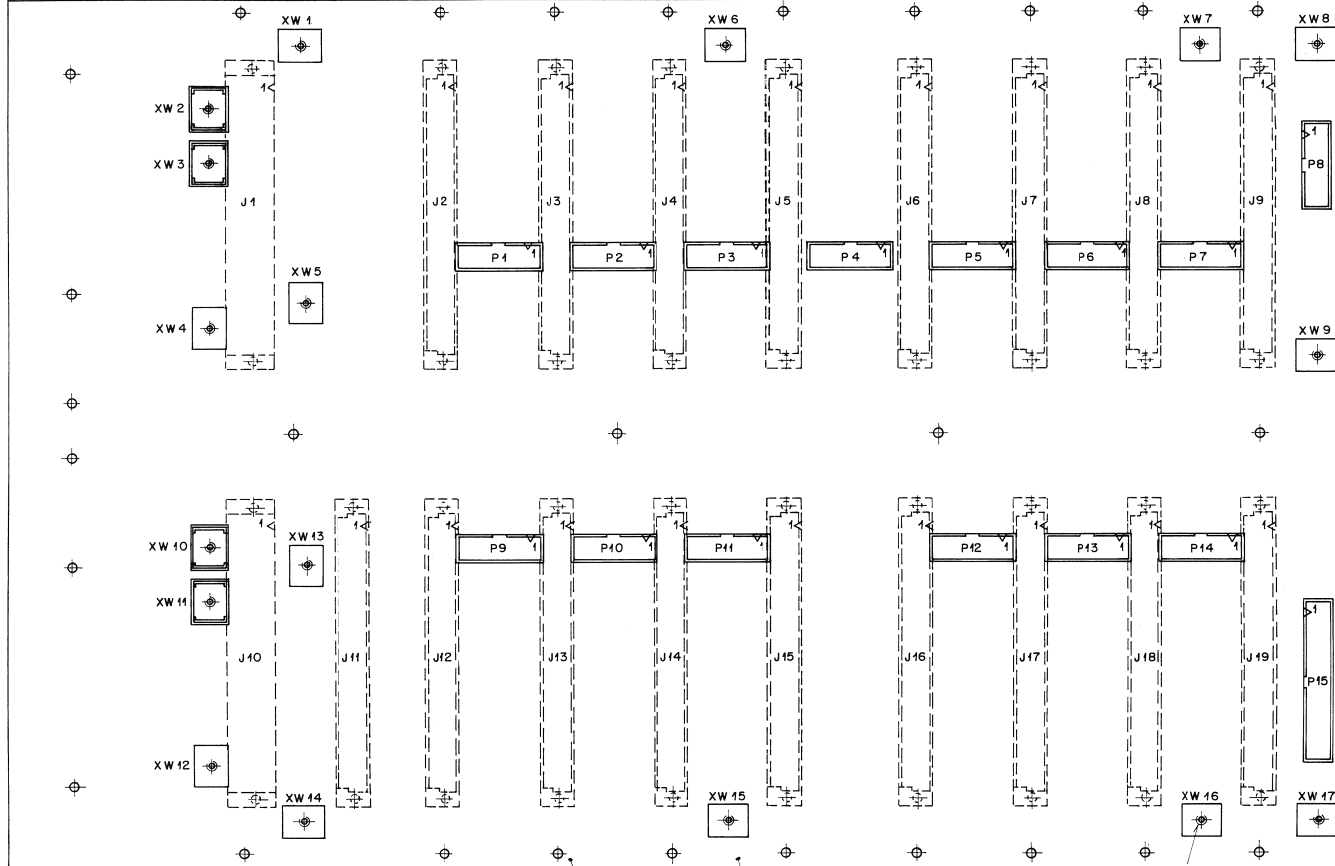
IND.	POS.ND.	PART NO.	VALUE	SPECIFICATIONS / EQUIVALENT	MANUF.
F.	0015	54.14.4034		STECKER 34 P. AU. PRINT	AMP
XW.	0001	53.05.0147		POWER TERMINAL OPEN. ACTION PIN	AMP
XW.	0002	53.05.0148		POWER TERMINAL WITH LID. ACTION PIN	AMP
XW.	0003	53.05.0148		POWER TERMINAL WITH LID. ACTION PIN	AMP
XW.	0004	53.05.0147		POWER TERMINAL OPEN. ACTION PIN	AMP
XW.	0005	53.05.0147		POWER TERMINAL OPEN. ACTION PIN	AMP
XW.	0006	53.05.0147		POWER TERMINAL OPEN. ACTION PIN	AMP
XW.	0007	53.05.0147		POWER TERMINAL OPEN. ACTION PIN	AMP
XW.	0008	53.05.0147		POWER TERMINAL OPEN. ACTION PIN	AMP
XW.	0009	53.05.0147		POWER TERMINAL OPEN. ACTION PIN	AMP
XW.	0010	53.05.0148		POWER TERMINAL WITH LID. ACTION PIN	AMP
XW.	0011	53.05.0148		POWER TERMINAL WITH LID. ACTION PIN	AMP
XW.	0012	53.05.0147		POWER TERMINAL OPEN. ACTION PIN	AMP
XW.	0013	53.05.0147		POWER TERMINAL OPEN. ACTION PIN	AMP
XW.	0014	53.05.0147		POWER TERMINAL OPEN. ACTION PIN	AMP
XW.	0015	53.05.0147		POWER TERMINAL OPEN. ACTION PIN	AMP
XW.	0016	53.05.0147		POWER TERMINAL OPEN. ACTION PIN	AMP
XW.	0017	53.05.0147		POWER TERMINAL OPEN. ACTION PIN	AMP

REMARKS:

 * 4-LAYER PRINT MIT BESTÜCKUNGSDRUCK *

 MANUFACTURERS:
 ST = STUDER, FA = PHILLIPS, SB = BUBER BROWN, Ha = HARRIS
 ABBREVIATIONS:
 CER = CERAMIC / FILM = FILM TYPE / KP = CLAMP FOR FUSES /
 XIC = IC SOCKET / XW = POWER TERMINAL
 ORIG 89/08/21
 S T U D E R (00) 89/08/21 LAR BACKPANEL AA1 PL 1.862.609.00 PAGE 2

BACKPANEL AA2 1.862.610.00



IND.	POS.NO.	PART NO.	VALUE	SPECIFICATIONS / EQUIVALENT	MANUF.
J..0001	54.11.2012			EURO 3 A 16, TYP F, PRINT	AMP
J..0002	54.11.2011			EURO 3 A 32, TYP C, PRINT	AMP
J..0003	54.11.2011			EURO 3 A 32, TYP C, PRINT	AMP
J..0004	54.11.2011			EURO 3 A 32, TYP C, PRINT	AMP
J..0005	54.11.2011			EURO 3 A 32, TYP C, PRINT	AMP
J..0006	54.11.2011			EURO 3 A 32, TYP C, PRINT	AMP
J..0007	54.11.2011			EURO 3 A 32, TYP C, PRINT	AMP
J..0008	54.11.2011			EURO 3 A 32, TYP C, PRINT	AMP
J..0009	54.11.2011			EURO 3 A 32, TYP C, PRINT	AMP
J..0010	54.11.2012			EURO 3 A 16, TYP F, PRINT	AMP
J..0011	54.11.2011			EURO 3 A 32, TYP C, PRINT	AMP
J..0012	54.11.2011			EURO 3 A 32, TYP C, PRINT	AMP
J..0013	54.11.2011			EURO 3 A 32, TYP C, PRINT	AMP
J..0014	54.11.2011			EURO 3 A 32, TYP C, PRINT	AMP
J..0015	54.11.2011			EURO 3 A 32, TYP C, PRINT	AMP
J..0016	54.11.2011			EURO 3 A 32, TYP C, PRINT	AMP
J..0017	54.11.2011			EURO 3 A 32, TYP C, PRINT	AMP
J..0018	54.11.2011			EURO 3 A 32, TYP C, PRINT	AMP
J..0019	54.11.2011			EURO 3 A 32, TYP C, PRINT	AMP
MP.0001	1.862.610.11			BACKPANEL "AA2" PCB (4 LAYERS)	SL
MP.0002	1.862.610.01			STK. PRINT.NR.	SL
P..0001	54.14.4016			STECKER 16 P, AU, PRINT	AMP
P..0002	54.14.4016			STECKER 16 P, AU, PRINT	AMP
P..0003	54.14.4016			STECKER 16 P, AU, PRINT	AMP
P..0004	54.14.4016			STECKER 16 P, AU, PRINT	AMP
P..0005	54.14.4016			STECKER 16 P, AU, PRINT	AMP
P..0006	54.14.4016			STECKER 16 P, AU, PRINT	AMP
P..0007	54.14.4016			STECKER 16 P, AU, PRINT	AMP
P..0008	54.14.4016			STECKER 16 P, AU, PRINT	AMP
P..0009	54.14.4016			STECKER 16 P, AU, PRINT	AMP
P..0010	54.14.4016			STECKER 16 P, AU, PRINT	AMP
P..0011	54.14.4016			STECKER 16 P, AU, PRINT	AMP
P..0012	54.14.4016			STECKER 16 P, AU, PRINT	AMP
P..0013	54.14.4016			STECKER 16 P, AU, PRINT	AMP
P..0014	54.14.4016			STECKER 16 P, AU, PRINT	AMP

S T U D E R (00) 09/00/21 LAR BACKPANEL AA2 PL 1.862.610.00 PAGE 1

IND.	POS.NO.	PART NO.	VALUE	SPECIFICATIONS / EQUIVALENT	MANUF.
P..0015	54.14.4034			STECKER 34 P, AU, PRINT	AMP
XW.0001	53.05.0147			POWER TERMINAL OPEN, ACTION FIB	AMP
XW.0002	53.05.0148			POWER TERMINAL WITH LID, ACTION FIB	AMP
XW.0003	53.05.0148			POWER TERMINAL WITH LID, ACTION FIB	AMP
XW.0004	53.05.0147			POWER TERMINAL OPEN, ACTION FIB	AMP
XW.0005	53.05.0147			POWER TERMINAL OPEN, ACTION FIB	AMP
XW.0006	53.05.0147			POWER TERMINAL OPEN, ACTION FIB	AMP
XW.0007	53.05.0147			POWER TERMINAL OPEN, ACTION FIB	AMP
XW.0008	53.05.0147			POWER TERMINAL OPEN, ACTION FIB	AMP
XW.0009	53.05.0147			POWER TERMINAL OPEN, ACTION FIB	AMP
XW.0010	53.05.0148			POWER TERMINAL WITH LID, ACTION FIB	AMP
XW.0011	53.05.0148			POWER TERMINAL WITH LID, ACTION FIB	AMP
XW.0012	53.05.0147			POWER TERMINAL OPEN, ACTION FIB	AMP
XW.0013	53.05.0147			POWER TERMINAL OPEN, ACTION FIB	AMP
XW.0014	53.05.0147			POWER TERMINAL OPEN, ACTION FIB	AMP
XW.0015	53.05.0147			POWER TERMINAL OPEN, ACTION FIB	AMP
XW.0016	53.05.0147			POWER TERMINAL OPEN, ACTION FIB	AMP
XW.0017	53.05.0147			POWER TERMINAL OPEN, ACTION FIB	AMP

REMARKS:

 * 4-LAYER PRINT MIT BESTÜCKUNGSDRUCK *

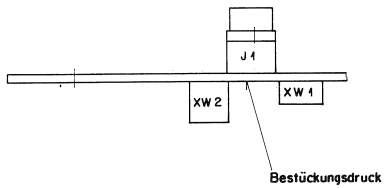
 MANUFACTURERS:
 ST = STUDER, Ph = PHILIPS, BB = BURS BROWN, HA = HARRIS
 ABBREVIATIONS:
 CER = CERAMIC / FILM = FILM TYPE / NF = CLAMP FOR FUSES /
 XIC = IC SOCKET / XW = POWER TERMINAL
 ORIG 09/00/21
 S T U D E R (00) 09/00/21 LAR BACKPANEL AA2 PL 1.862.610.00 PAGE 2

Lötseiten

MP1

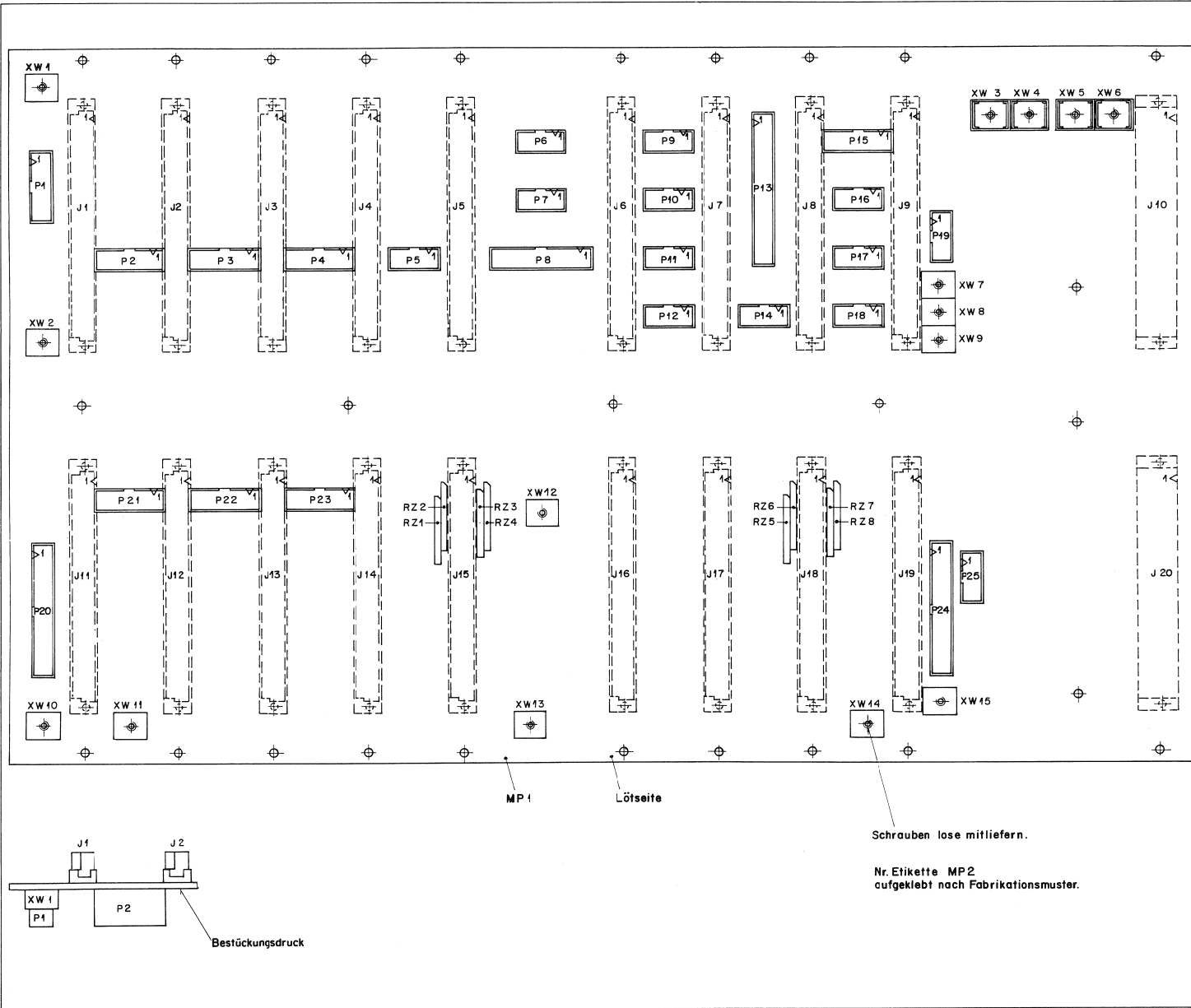
Schrauben lose mitliefern.

Nr. Etiketle MP 2
 aufgeklebt nach Fabrikationsmuster.



STUDER D820 MCH

BACKPANEL AS1 1.862.611.00



IND.	POS.NR.	PART NO.	VALUE	SPECIFICATIONS / EQUIVALENT	MANUF.
J.-0001	54.11.2011			EURO 3 * 32, TYP C, PRINT	AMP
J.-0002	54.11.2011			EURO 3 * 32, TYP C, PRINT	AMP
J.-0003	54.11.2011			EURO 3 * 32, TYP C, PRINT	AMP
J.-0004	54.11.2011			EURO 3 * 32, TYP C, PRINT	AMP
J.-0005	54.11.2011			EURO 3 * 32, TYP C, PRINT	AMP
J.-0006	54.11.2011			EURO 3 * 32, TYP C, PRINT	AMP
J.-0007	54.11.2011			EURO 3 * 32, TYP C, PRINT	AMP
J.-0008	54.11.2011			EURO 3 * 32, TYP C, PRINT	AMP
J.-0009	54.11.2011			EURO 3 * 32, TYP C, PRINT	AMP
J.-0010	54.11.2012			EURO 3 * 16, TYP F, PRINT	AMP
J.-0011	54.11.2011			EURO 3 * 32, TYP C, PRINT	AMP
J.-0012	54.11.2011			EURO 3 * 32, TYP C, PRINT	AMP
J.-0013	54.11.2011			EURO 3 * 32, TYP C, PRINT	AMP
J.-0014	54.11.2011			EURO 3 * 32, TYP C, PRINT	AMP
J.-0015	54.11.2011			EURO 3 * 32, TYP C, PRINT	AMP
J.-0016	54.11.2011			EURO 3 * 32, TYP C, PRINT	AMP
J.-0017	54.11.2011			EURO 3 * 32, TYP C, PRINT	AMP
J.-0018	54.11.2011			EURO 3 * 32, TYP C, PRINT	AMP
J.-0019	54.11.2011			EURO 3 * 32, TYP C, PRINT	AMP
J.-0020	54.11.2012			EURO 3 * 16, TYP F, PRINT	AMP

MP-0001 1.862.611.11 BACKPANEL "AS1" PCB (4 LAYERS) ST
 MP-0002 1.862.611.01 ETIK. PRINT.MG. ST

F.-0001 54.14.4016 STECKER 16 P, AU, PRINT AMP
 F.-0002 54.14.4016 STECKER 16 P, AU, PRINT AMP
 F.-0003 54.14.4016 STECKER 16 P, AU, PRINT AMP
 F.-0004 54.14.4016 STECKER 16 P, AU, PRINT AMP
 F.-0005 54.14.4016 STECKER 10 P, AU, PRINT AMP
 F.-0006 54.14.4016 STECKER 10 P, AU, PRINT AMP
 F.-0007 54.14.4016 STECKER 10 P, AU, PRINT AMP
 F.-0008 54.14.4016 STECKER 26 P, AU, PRINT AMP
 F.-0009 54.14.4016 STECKER 10 P, AU, PRINT AMP
 F.-0010 54.14.4016 STECKER 10 P, AU, PRINT AMP
 F.-0011 54.14.4016 STECKER 10 P, AU, PRINT AMP
 F.-0012 54.14.4016 STECKER 10 P, AU, PRINT AMP
 F.-0013 54.14.4016 STECKER 40 P, AU, PRINT AMP

STUDER (00) 89/08/21 LAR BACKPANEL AS1 PL 1.862.611.00 PAGE 1

IND.	POS.NR.	PART NO.	VALUE	SPECIFICATIONS / EQUIVALENT	MANUF.
F.-0014	54.14.4010			STECKER 10 P, AU, PRINT	AMP
F.-0015	54.14.4016			STECKER 16 P, AU, PRINT	AMP
F.-0016	54.14.4010			STECKER 10 P, AU, PRINT	AMP
F.-0017	54.14.4010			STECKER 10 P, AU, PRINT	AMP
F.-0018	54.14.4010			STECKER 10 P, AU, PRINT	AMP
F.-0019	54.14.4010			STECKER 10 P, AU, PRINT	AMP
F.-0020	54.14.4016			STECKER 24 P, AU, PRINT	AMP
F.-0021	54.14.4016			STECKER 16 P, AU, PRINT	AMP
F.-0022	54.14.4016			STECKER 16 P, AU, PRINT	AMP
F.-0023	54.14.4016			STECKER 16 P, AU, PRINT	AMP
F.-0024	54.14.4016			STECKER 24 P, AU, PRINT	AMP
F.-0025	54.14.4010			STECKER 10 P, AU, PRINT	AMP

XW-0001	53.05.0147			POWER TERMINAL OPEN, ACTION FIB	AMP
XW-0002	53.05.0147			POWER TERMINAL OPEN, ACTION FIB	AMP
XW-0003	53.05.0148			POWER TERMINAL WITH LID, ACTION FIB	AMP
XW-0004	53.05.0148			POWER TERMINAL WITH LID, ACTION FIB	AMP
XW-0005	53.05.0148			POWER TERMINAL WITH LID, ACTION FIB	AMP
XW-0006	53.05.0148			POWER TERMINAL WITH LID, ACTION FIB	AMP
XW-0007	53.05.0147			POWER TERMINAL OPEN, ACTION FIB	AMP
XW-0008	53.05.0147			POWER TERMINAL OPEN, ACTION FIB	AMP
XW-0009	53.05.0147			POWER TERMINAL OPEN, ACTION FIB	AMP
XW-0010	53.05.0147			POWER TERMINAL OPEN, ACTION FIB	AMP
XW-0011	53.05.0147			POWER TERMINAL OPEN, ACTION FIB	AMP
XW-0012	53.05.0147			POWER TERMINAL OPEN, ACTION FIB	AMP
XW-0013	53.05.0147			POWER TERMINAL OPEN, ACTION FIB	AMP
XW-0014	53.05.0147			POWER TERMINAL OPEN, ACTION FIB	AMP
XW-0015	53.05.0147			POWER TERMINAL OPEN, ACTION FIB	AMP

STUDER (00) 89/08/21 LAR BACKPANEL AS1 PL 1.862.611.00 PAGE 2

IND. POS.NR. PART NO. VALUE SPECIFICATIONS / EQUIVALENT MANUF.

REMARKS:

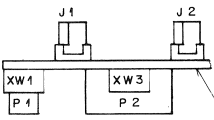
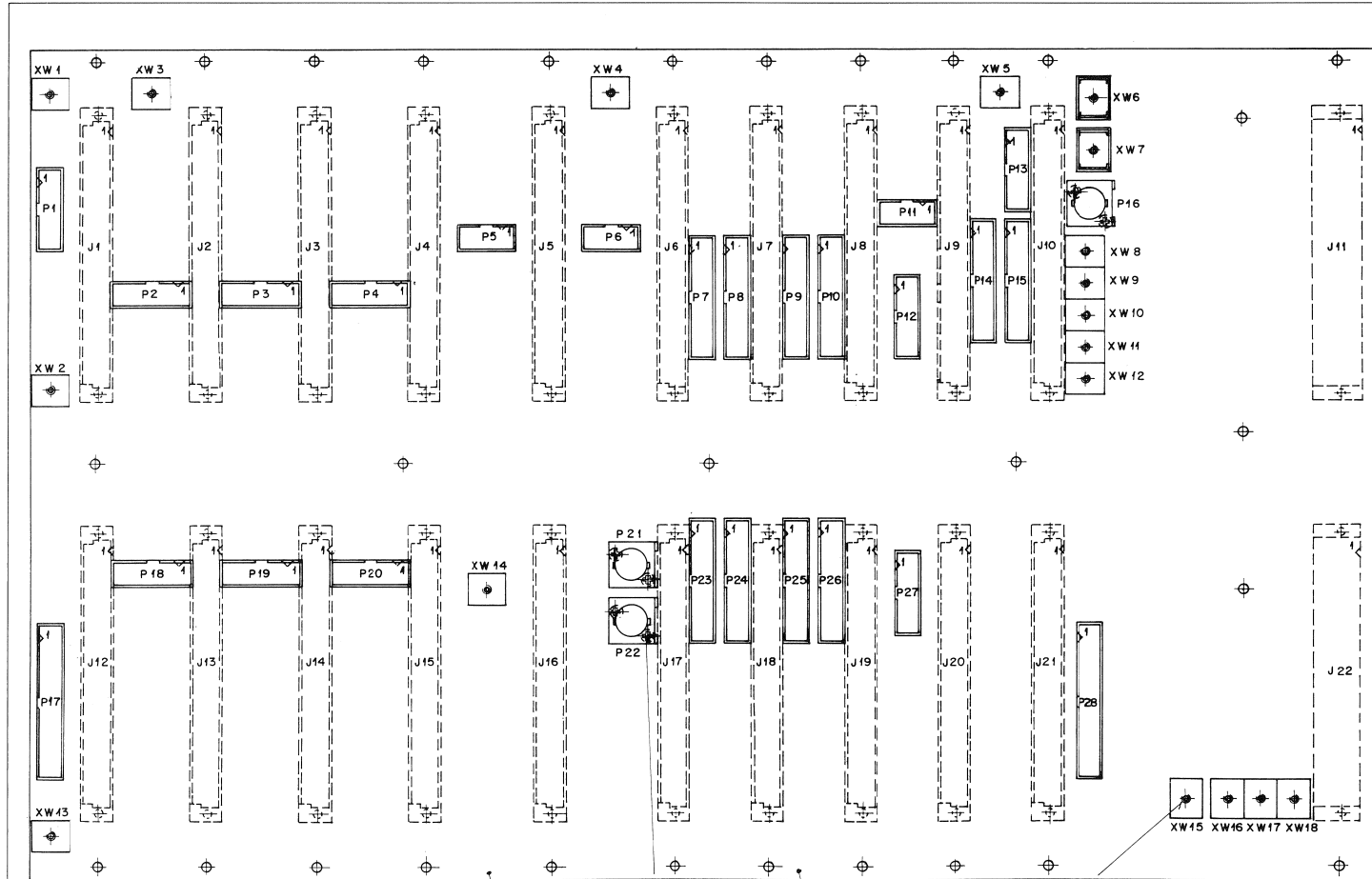
 * 4-LAYER PRINT MIT BESTÜCKUNGSDRUCK *

MANUFACTURERS:
 St = STUDER, Ph = PHILIPS, BB = BURR BROWN, Ha = HARRIS

ABBREVIATIONS:
 CER = CERAMIC / FILM = FILM TYPE / XF = CLAMP FOR FUSES /
 XIC = IC SOCKET / XM = POWER TERMINAL

ORIG 89/08/21
 STUDER (00) 89/08/21 LAR BACKPANEL AS1 PL 1.862.611.00 PAGE 3

BACKPANEL AS2 1.862.612.00



Bestückungsdruck

MP 1

MP 3÷ MP 8

Lötseite

Schrauben lose mitliefern.

Nr. Etiketle MP 2 aufgeklebt nach Fabrikationsmuster.

IND.	POS.NO.	PART NO.	VALUE	SPECIFICATIONS / EQUIVALENT	MANUF.
J.	0001	54.11.2011		EURO 3 A 32, TVF C, PRINT	AMP
J.	0002	54.11.2011		EURO 3 A 32, TVF C, PRINT	AMP
J.	0003	54.11.2011		EURO 3 A 32, TVF C, PRINT	AMP
J.	0004	54.11.2011		EURO 3 A 32, TVF C, PRINT	AMP
J.	0005	54.11.2011		EURO 3 A 32, TVF C, PRINT	AMP
J.	0006	54.11.2011		EURO 3 A 32, TVF C, PRINT	AMP
J.	0007	54.11.2011		EURO 3 A 32, TVF C, PRINT	AMP
J.	0008	54.11.2011		EURO 3 A 32, TVF C, PRINT	AMP
J.	0009	54.11.2011		EURO 3 A 32, TVF C, PRINT	AMP
J.	0010	54.11.2011		EURO 3 A 32, TVF C, PRINT	AMP
J.	0011	54.11.2012		EURO 3 A 16, TVF P, PRINT	AMP
J.	0012	54.11.2011		EURO 3 A 32, TVF C, PRINT	AMP
J.	0013	54.11.2011		EURO 3 A 32, TVF C, PRINT	AMP
J.	0014	54.11.2011		EURO 3 A 32, TVF C, PRINT	AMP
J.	0015	54.11.2011		EURO 3 A 32, TVF C, PRINT	AMP
J.	0016	54.11.2011		EURO 3 A 32, TVF C, PRINT	AMP
J.	0017	54.11.2011		EURO 3 A 32, TVF C, PRINT	AMP
J.	0018	54.11.2011		EURO 3 A 32, TVF C, PRINT	AMP
J.	0019	54.11.2011		EURO 3 A 32, TVF C, PRINT	AMP
J.	0020	54.11.2011		EURO 3 A 32, TVF C, PRINT	AMP
J.	0021	54.11.2011		EURO 3 A 32, TVF C, PRINT	AMP
J.	0022	54.11.2012		EURO 3 A 16, TVF P, PRINT	AMP

IND.	POS.NO.	PART NO.	VALUE	SPECIFICATIONS / EQUIVALENT	MANUF.
ME.	0001	1.862.612.11		BACKPANEL AS2/ PCT 14 LAYERD	SL
ME.	0002	1.862.612.01		ETIK. PRINT, BR.	SL
ME.	0003	20.24.7280		LIN-FORMSCH.ZENSK ES D2.54 8	ANY
ME.	0004	20.24.7280		LIN-FORMSCH.ZENSK ES D2.54 8	ANY
ME.	0005	20.24.7280		LIN-FORMSCH.ZENSK ES D2.54 8	ANY
ME.	0006	20.24.7280		LIN-FORMSCH.ZENSK ES D2.54 8	ANY
ME.	0007	20.24.7280		LIN-FORMSCH.ZENSK ES D2.54 8	ANY
ME.	0008	20.24.7280		LIN-FORMSCH.ZENSK ES D2.54 8	ANY

S T U D E R (00) 89/08/21 LAR BACKPANEL AS2 PL 1.862.612.00 PAGE 1

IND.	POS.NO.	PART NO.	VALUE	SPECIFICATIONS / EQUIVALENT	MANUF.
P.	0006	54.14.4010		STECKER 10 P, AU, PRINT	AMP
P.	0007	54.14.4026		STECKER 26 P, AU, PRINT	AMP
P.	0008	54.14.4026		STECKER 26 P, AU, PRINT	AMP
P.	0009	54.14.4026		STECKER 26 P, AU, PRINT	AMP
P.	0010	54.14.4026		STECKER 26 P, AU, PRINT	AMP
P.	0011	54.14.4010		STECKER 10 P, AU, PRINT	AMP
P.	0012	54.14.4016		STECKER 16 P, AU, PRINT	AMP
P.	0013	54.14.4016		STECKER 16 P, AU, PRINT	AMP
P.	0014	54.14.4026		STECKER 26 P, AU, PRINT	AMP
P.	0015	54.14.4026		STECKER 26 P, AU, PRINT	AMP
P.	0016	54.14.4034		STECKER 34 P, AU, PRINT	AMP
P.	0017	54.14.4034		STECKER 34 P, AU, PRINT	AMP
P.	0018	54.14.4016		STECKER 16 P, AU, PRINT	AMP
P.	0019	54.14.4016		STECKER 16 P, AU, PRINT	AMP
P.	0020	54.14.4016		STECKER 16 P, AU, PRINT	AMP
P.	0021	54.21.2020		1 SOL PRINT/CHASSIS BNC	AMP
P.	0022	54.21.2020		2 SOL PRINT/CHASSIS BNC	AMP
P.	0023	54.14.4026		STECKER 26 P, AU, PRINT	AMP
P.	0024	54.14.4026		STECKER 26 P, AU, PRINT	AMP
P.	0025	54.14.4026		STECKER 26 P, AU, PRINT	AMP
P.	0026	54.14.4026		STECKER 26 P, AU, PRINT	AMP
P.	0027	54.14.4016		STECKER 16 P, AU, PRINT	AMP
P.	0028	54.14.4026		STECKER 26 P, AU, PRINT	AMP

IND.	POS.NO.	PART NO.	VALUE	SPECIFICATIONS / EQUIVALENT	MANUF.
XW.	0001	53.05.0147		POWER TERMINAL OPEN, ACTION P18	AMP
XW.	0002	53.05.0147		POWER TERMINAL OPEN, ACTION P18	AMP
XW.	0003	53.05.0147		POWER TERMINAL OPEN, ACTION P18	AMP
XW.	0004	53.05.0147		POWER TERMINAL OPEN, ACTION P18	AMP
XW.	0005	53.05.0147		POWER TERMINAL OPEN, ACTION P18	AMP
XW.	0006	53.05.0148		POWER TERMINAL WITH LID, ACTION P18	AMP
XW.	0007	53.05.0148		POWER TERMINAL WITH LID, ACTION P18	AMP
XW.	0008	53.05.0147		POWER TERMINAL OPEN, ACTION P18	AMP
XW.	0009	53.05.0147		POWER TERMINAL OPEN, ACTION P18	AMP
XW.	0010	53.05.0147		POWER TERMINAL OPEN, ACTION P18	AMP
XW.	0011	53.05.0147		POWER TERMINAL OPEN, ACTION P18	AMP
XW.	0012	53.05.0147		POWER TERMINAL OPEN, ACTION P18	AMP
XW.	0013	53.05.0147		POWER TERMINAL OPEN, ACTION P18	AMP

S T U D E R (00) 89/08/21 LAR BACKPANEL AS2 PL 1.862.612.00 PAGE 2

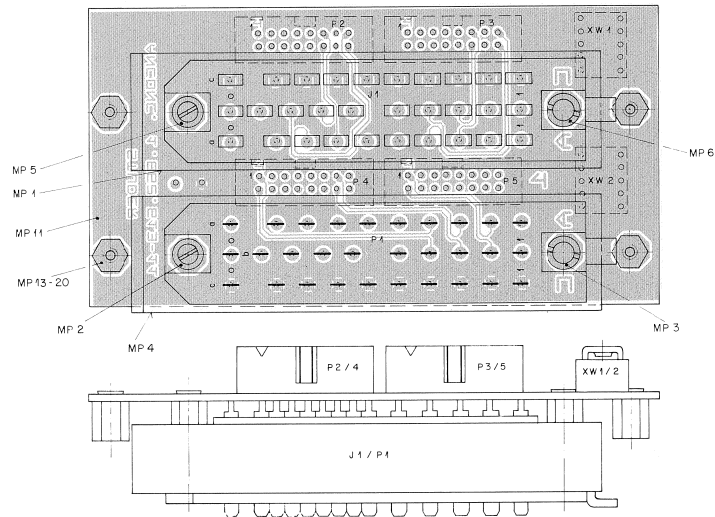
IND.	POS.NO.	PART NO.	VALUE	SPECIFICATIONS / EQUIVALENT	MANUF.
XW.	0014	53.05.0147		POWER TERMINAL OPEN, ACTION P18	AMP
XW.	0015	53.05.0147		POWER TERMINAL OPEN, ACTION P18	AMP
XW.	0016	53.05.0147		POWER TERMINAL OPEN, ACTION P18	AMP
XW.	0017	53.05.0147		POWER TERMINAL OPEN, ACTION P18	AMP
XW.	0018	53.05.0147		POWER TERMINAL OPEN, ACTION P18	AMP

REMARKS:

 * 4-LAYER PRINT MIT BESTÜCKUNGSDRUCK *

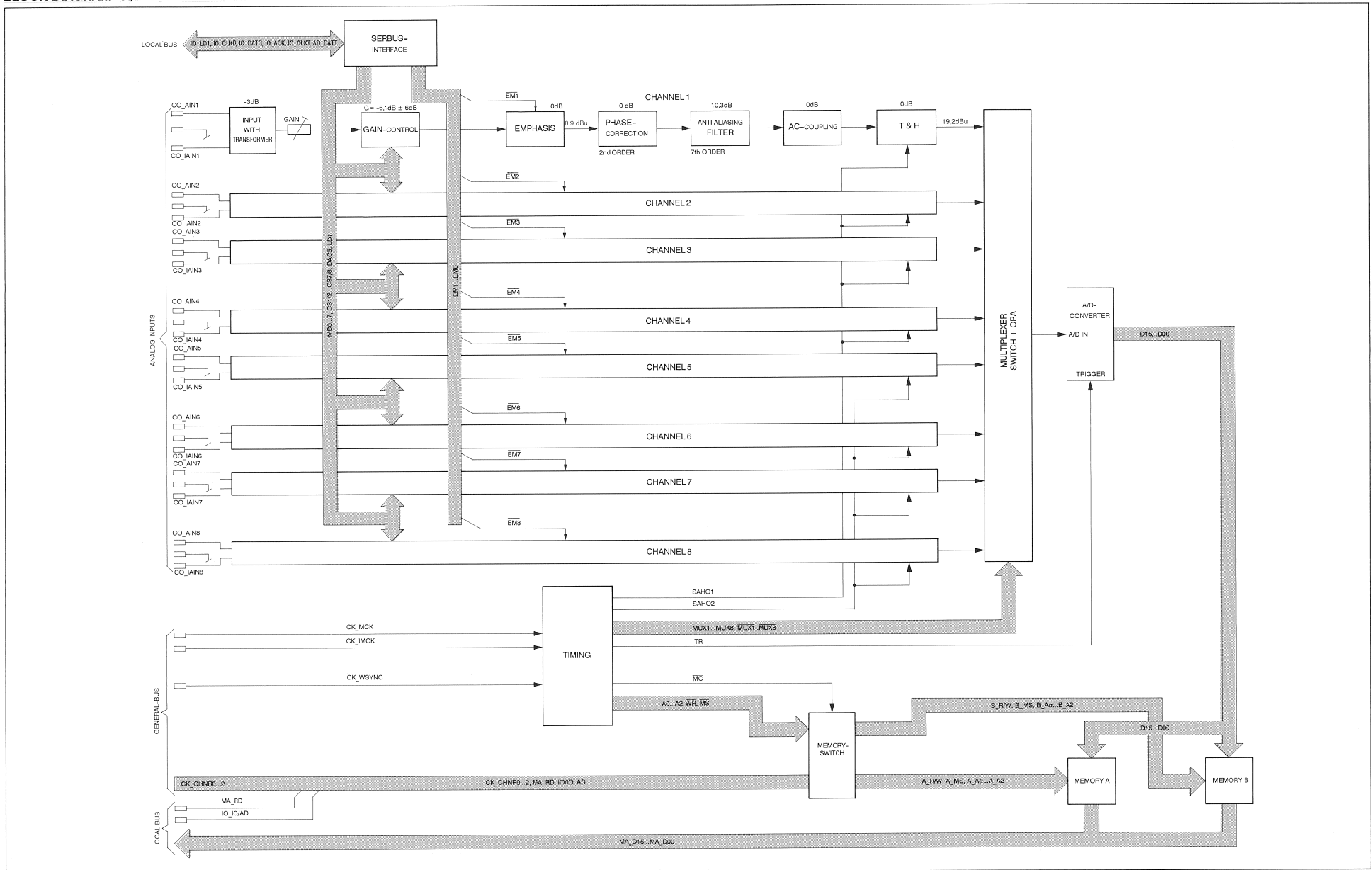
 MANUFACTURERS:
 SL = STUDER, FR = PHILIPS, BB = BURR BROWN, MA = HARRIS
 ABBREVIATIONS:
 CER = CERAMIC / FILM = FILM TYPE / XF = CLAMP FOR FUSES /
 XIC = IC SOCKET / XW = POWER TERMINAL
 DRIG 89/08/21
 S T U D E R (00) 89/08/21 LAR BACKPANEL AS2 PL 1.862.612.00 PAGE 3

ANALOG CONCENTRATOR UNIT 1.862.613.00

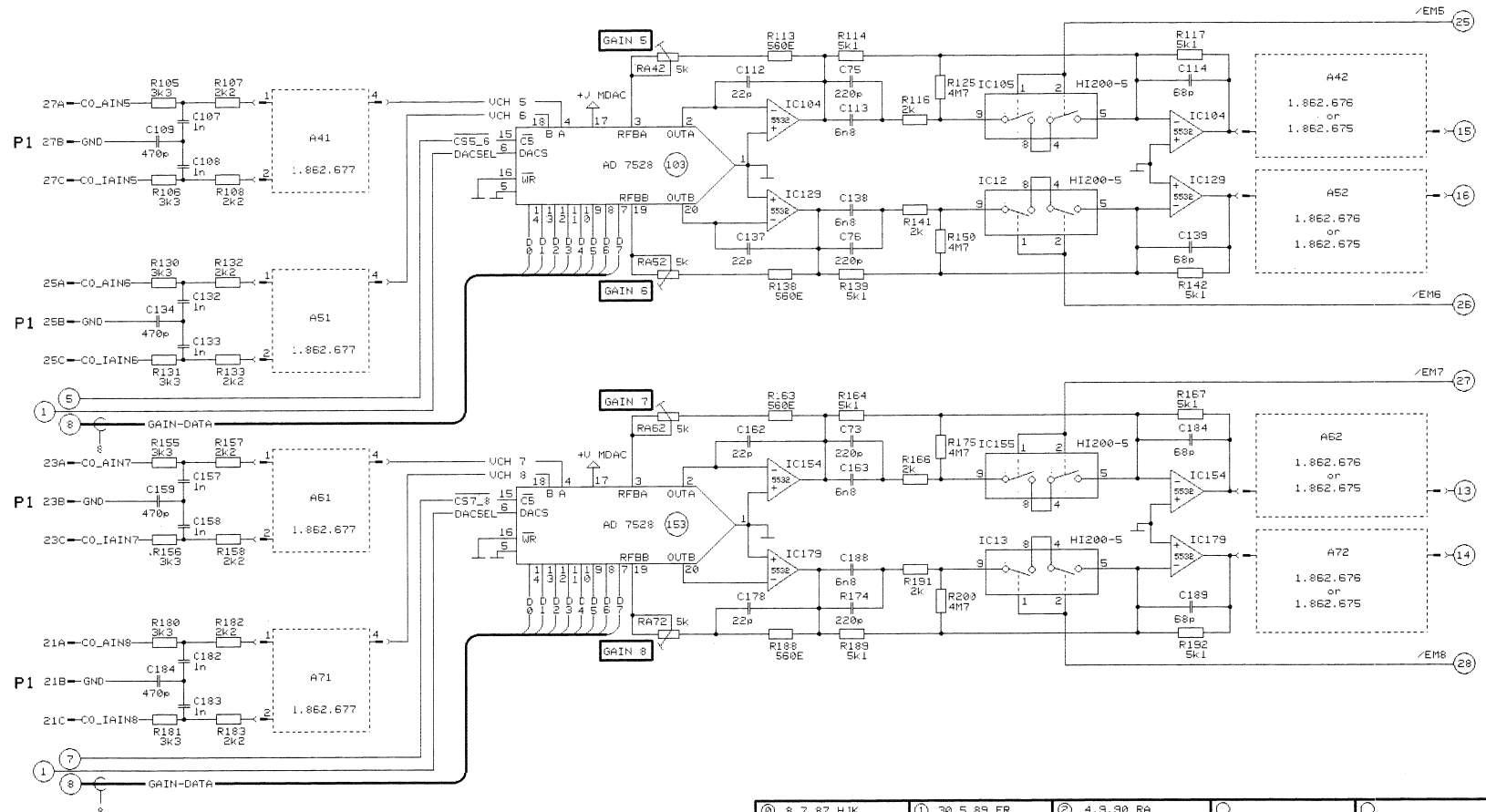


IND.	POS.NO.	PART NO.	VALUE	SPECIFICATIONS / EQUIVALENT	MANUF.	IND.	POS.NO.	PART NO.	VALUE	SPECIFICATIONS / EQUIVALENT	MANUF.
J.....1		54.14.1032		BUCHSE 30 POL PRINT	ANY	REMARKS:	22.2.99 ZT				
XN.....1		53.05.0147		POWER TERMINAL/DFIR, ACTION PIN	ANY					18F-2 Powerterminal	
XM.....2		53.05.0147		POWER TERMINAL/DFIR, ACTION PIN	ANY	MANUFACTURERS:				St = STUDER; Ph = PHILIPS; BB = BURK BROWN; Ha = HARRIS	
MP.....1		54.14.7002		RIEDELWANNE 30/35 POL	ANY	ABBREVIATIONS:					
MP.....2		54.14.7020		PASS-STIFT	ANY						
MP.....3		54.14.7020		PASS-BUCHSE	ANY						
MP.....4		54.14.7002		RIEDELWANNE 30/35 POL	ANY						
MP.....5		54.14.7020		PASS-STIFT	ANY						
MP.....6		54.14.7020		PASS-BUCHSE	ANY						
MP.....11		1.862.613.11		ANZICHN. PCB	ANY						
MP.....12		1.862.613.01		STIKETTE	ANY						
MP.....13		1.862.613.02		NUTMUTTER M3x4,8 (FUER 2.4MM PRINT)	ST						
MP.....14		1.862.613.02		NUTMUTTER M3x4,8 (FUER 2.4MM PRINT)	ST						
MP.....15		1.862.613.02		NUTMUTTER M3x4,8 (FUER 2.4MM PRINT)	ST						
MP.....16		1.862.613.02		NUTMUTTER M3x4,8 (FUER 2.4MM PRINT)	ST						
MP.....17		1.862.613.02		NUTMUTTER M3x4,8 (FUER 2.4MM PRINT)	ST						
MP.....18		1.862.613.02		NUTMUTTER M3x4,8 (FUER 2.4MM PRINT)	ST						
MP.....19		1.862.613.02		NUTMUTTER M3x4,8 (FUER 2.4MM PRINT)	ST						
MP.....20		1.862.613.02		NUTMUTTER M3x4,8 (FUER 2.4MM PRINT)	ST						
P.....1		54.14.1022		LEISTE 30 POL PRINT	ANY						
P.....2		54.14.4016		STECKER 16 P / ACTION PIN	ANY						
P.....3		54.14.4016		STECKER 16 P / ACTION PIN	ANY						
P.....4		54.14.4016		STECKER 16 P / ACTION PIN	ANY						
P.....5		54.14.4016		STECKER 16 P / ACTION PIN	ANY						

BLOCK DIAGRAM A/D CONVERTER WITH TRAF0

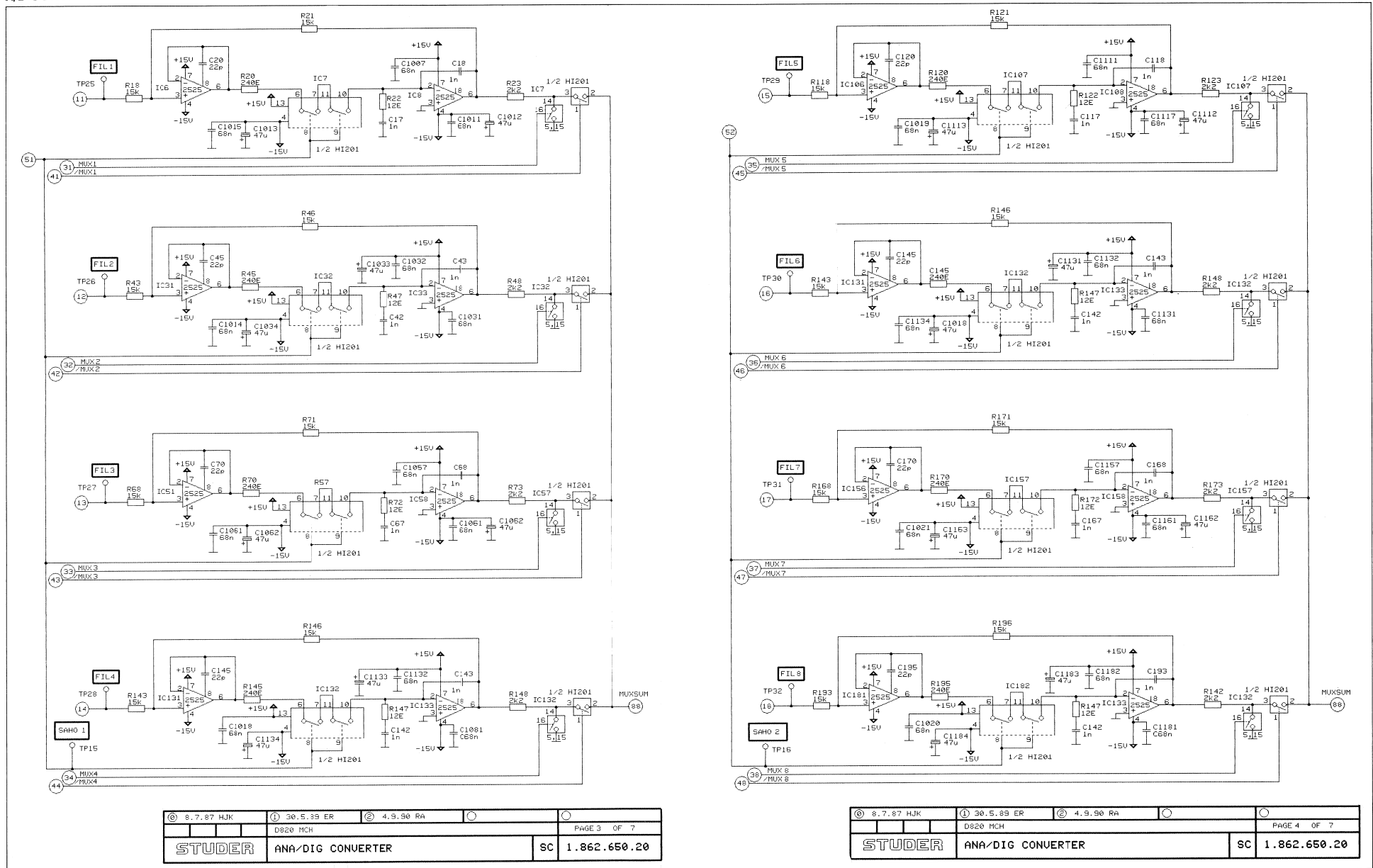


A/D CONVERTER WITH TRAF0 1.862.650.20



© 8.7.87 HJK	① 30.5.89 ER	② 4.9.90 RA		
	D820 MCH			PAGE 2 OF 7
STUDER ANA-DIG CONVERTER			SC	1.862.650.20

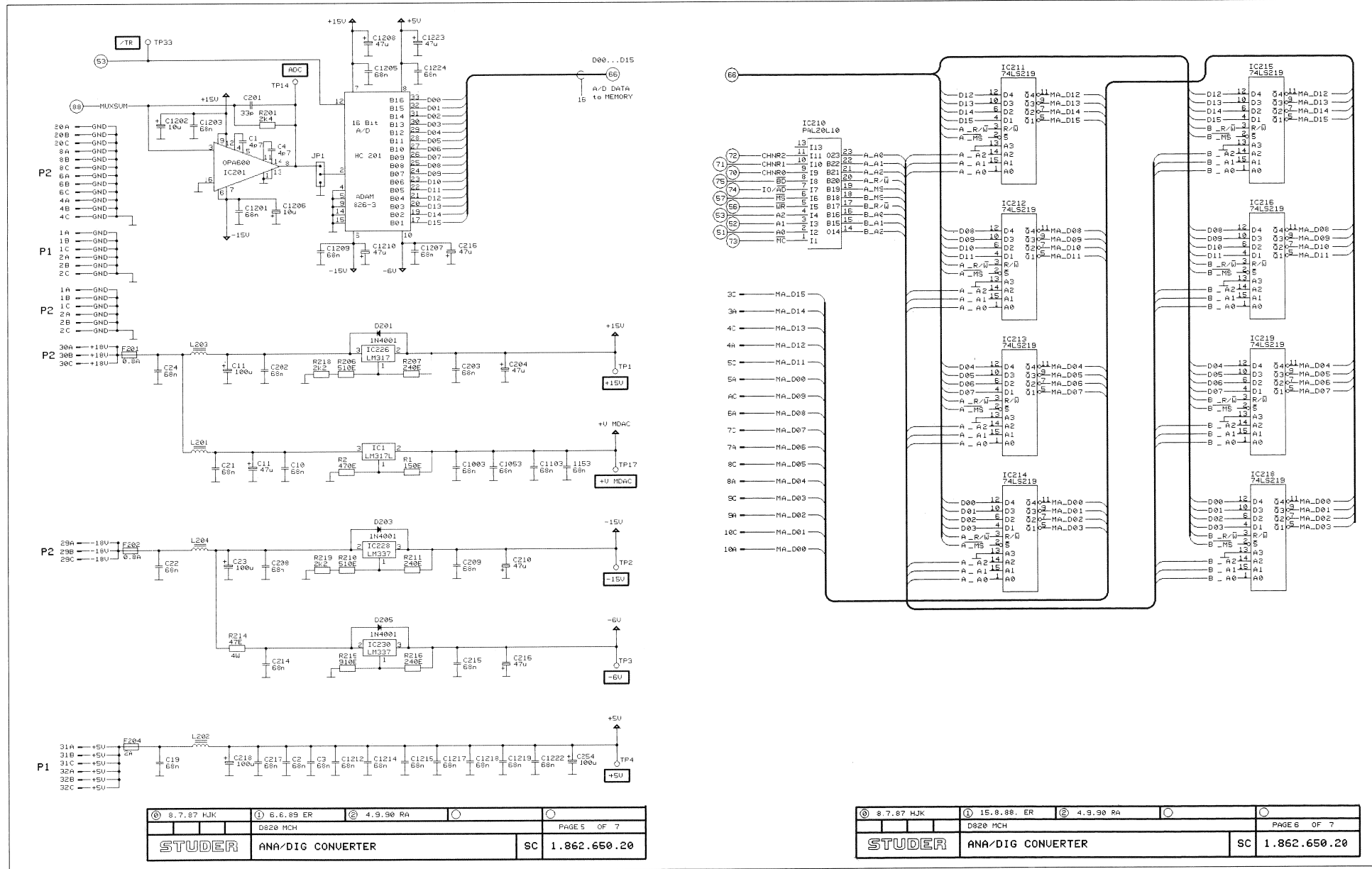
A/D CONVERTER WITH TRAF0 1.862.650.20



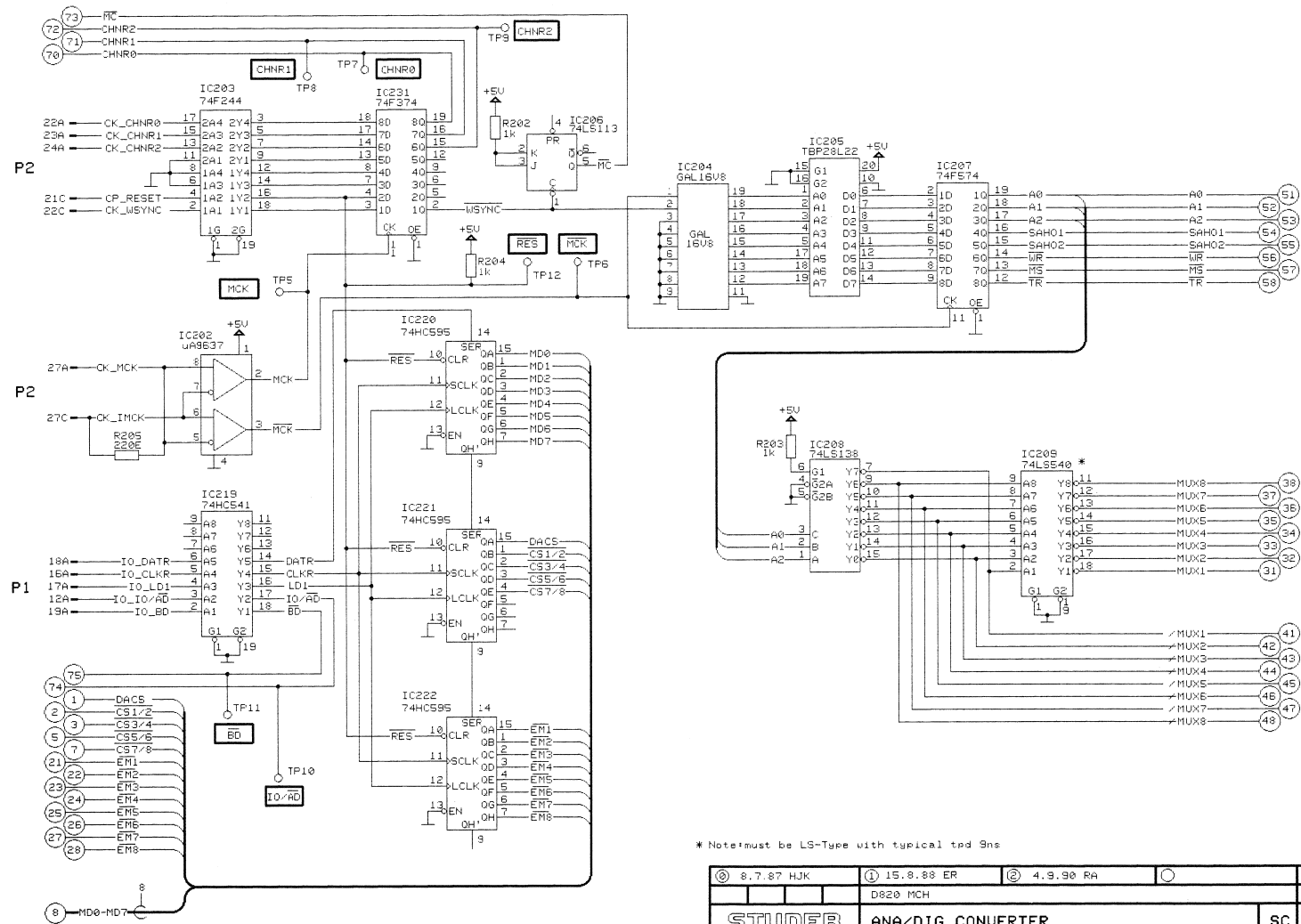
8.7.87 HJK	30.5.89 ER	4.9.90 RA		
D820 MCH		PAGE 3 OF 7		
STUDER	ANA/DIG CONVERTER	SC	1.862.650.20	

8.7.87 HJK	30.5.89 ER	4.9.90 RA		
D820 MCH		PAGE 4 OF 7		
STUDER	ANA/DIG CONVERTER	SC	1.862.650.20	

A/D CONVERTER WITH TRAF0 1.862.650.20



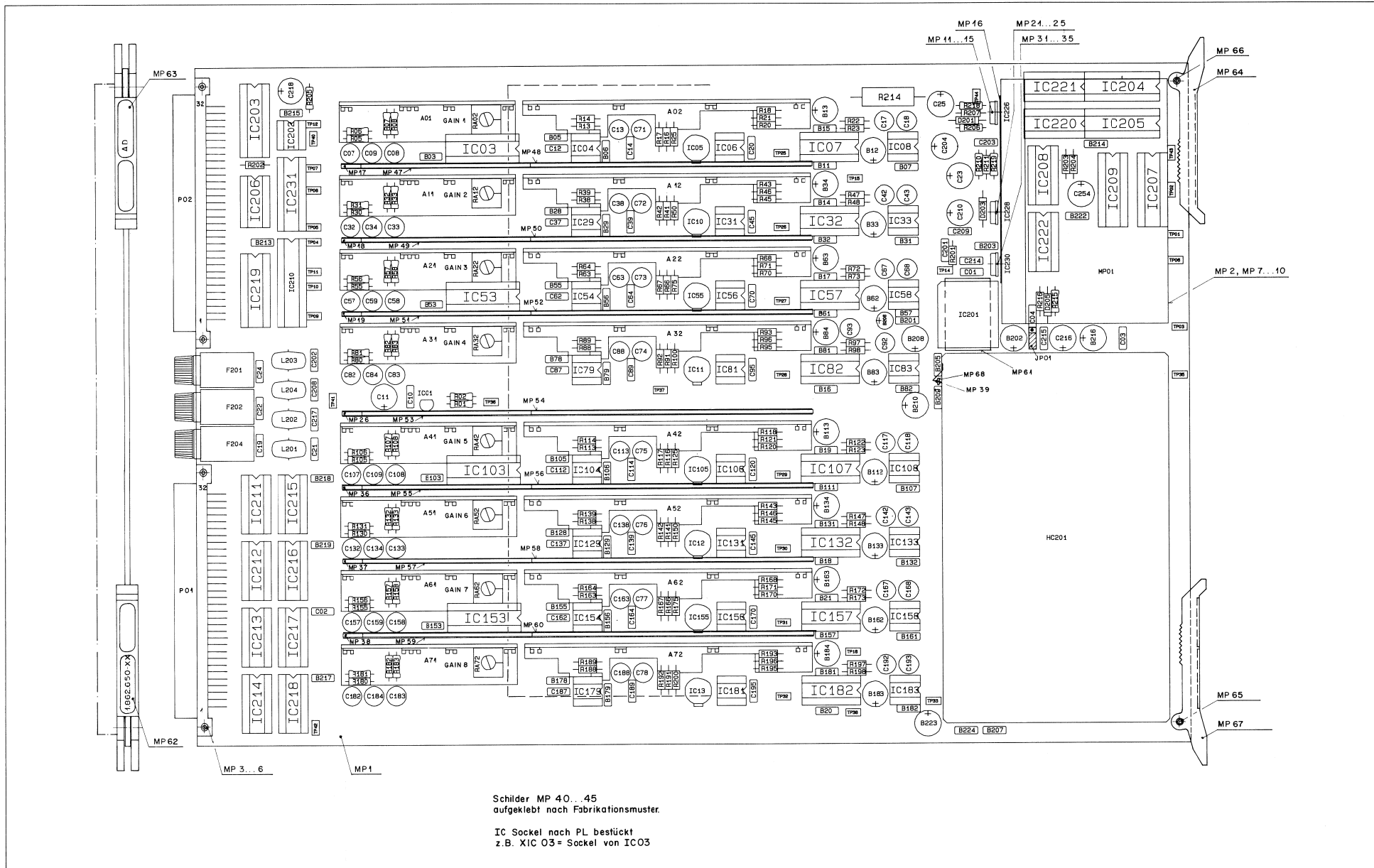
A/D CONVERTER WITH TRAF0 1.862.650.20



* Note: must be LS-Type with typical tpd 9ns

① 8.7.87 HJK	② 15.8.88 ER	③ 4.9.90 RA	○
D820 MCH		PAGE 7 OF 7	
STUDER		ANA/DIG CONVERTER	SC 1.862.650.20

A/D CONVERTER WITH TRAF0 1.862.650.20



STUDER D820 MCH

A/D CONVERTER WITH TRAF0 1.862.650.20

IND.	POS.NO.	PART NO.	VALUE	SPECIFICATIONS / EQUIVALENT	MANUF.	IND.	POS.NO.	PART NO.	VALUE	SPECIFICATIONS / EQUIVALENT	MANUF.	IND.	POS.NO.	PART NO.	VALUE	SPECIFICATIONS / EQUIVALENT	MANUF.	IND.	POS.NO.	PART NO.	VALUE	SPECIFICATIONS / EQUIVALENT	MANUF.	
0000	A...	1.862.677.00		BACKRAG A/D INPUT MODULE	St	C...	187	59.34.2220	22 g	20% 50V CER	ARY	IC...	4	50.09.0106	NE 5522 AN	ARY	MP...	38	1.862.650.02		ARY	MP...	38	1.862.650.02
0000	A...	1.862.676.81		BACKRAG A/D ANTI ALIASING FILTER	St	C...	188	59.05.1682	6 B	1% 160V PP	ARY	IC...	5	50.09.0109	HA-2525 AN	ARY	MP...	39	64.01.0108	WEEE 96	ARY	MP...	39	64.01.0108
0000	A...	1.862.676.81		BACKRAG A/D ANTI ALIASING FILTER	St	C...	189	59.34.4680	6 B	1% 160V PP	ARY	IC...	6	50.09.0109	HA-2525 AN	ARY	MP...	40	1.01.001.20	MSR 250	ARY	MP...	40	1.01.001.20
0000	A...	1.862.676.81		BACKRAG A/D ANTI ALIASING FILTER	St	C...	190	59.05.1102	1 n	1% 160V PP	ARY	IC...	7	50.09.0101	HA 201 HS	ARY	MP...	42	45.01.0108	TSB LABEL	ARY	MP...	42	45.01.0108
0000	A...	1.862.676.81		BACKRAG A/D ANTI ALIASING FILTER	St	C...	191	59.05.1102	1 n	1% 160V PP	ARY	IC...	8	50.09.0101	HA 201 HS	ARY	MP...	43	1.010.114.51	MSR T18	ARY	MP...	43	1.010.114.51
0000	A...	1.862.677.00		BACKRAG A/D INPUT MODULE	St	C...	201	59.34.2230	33 P	20% 50V CER	ARY	IC...	11	50.09.0181	HA-200-5	ARY	MP...	44	1.010.114.51	LABEL "TRODA"	ARY	MP...	44	1.010.114.51
0000	A...	1.862.676.81		BACKRAG A/D INPUT MODULE	St	C...	202	59.05.0683	6 B	20% 50V CER	ARY	IC...	12	50.09.0181	HA-200-5	ARY	MP...	45	1.010.114.51	LABEL "TRODA"	ARY	MP...	45	1.010.114.51
0000	A...	1.862.676.81		BACKRAG A/D ANTI ALIASING FILTER	St	C...	203	59.05.0683	6 B	20% 50V CER	ARY	IC...	13	50.09.0181	HA-200-5	ARY	MP...	46	1.010.114.51	LABEL "72.00A"	ARY	MP...	46	1.010.114.51
0000	A...	1.862.676.81		BACKRAG A/D ANTI ALIASING FILTER	St	C...	204	59.05.0683	6 B	20% 50V CER	ARY	IC...	14	50.09.0181	HA-200-5	ARY	MP...	47	1.862.650.04	ISOLATION ZU ABSCHWELDCHE	ARY	MP...	47	1.862.650.04
0000	A...	1.862.676.81		BACKRAG A/D ANTI ALIASING FILTER	St	C...	210	59.22.5470	47 n	20% 25V EL	ARY	IC...	23	50.09.0109	HA-2525 AN	ARY	MP...	49	1.862.650.04	ISOLATION ZU ABSCHWELDCHE	ARY	MP...	49	1.862.650.04
0000	A...	1.862.676.81		BACKRAG A/D ANTI ALIASING FILTER	St	C...	211	59.05.0683	6 B	20% 50V CER	ARY	IC...	24	50.09.0106	HA-2525 AN	ARY	MP...	51	1.862.650.04	ISOLATION ZU ABSCHWELDCHE	ARY	MP...	51	1.862.650.04
0000	A...	1.862.676.81		BACKRAG A/D ANTI ALIASING FILTER	St	C...	217	59.05.0683	6 B	20% 50V CER	ARY	IC...	27	50.09.0109	HA-2525 AN	ARY	MP...	52	1.862.650.04	ISOLATION ZU ABSCHWELDCHE	ARY	MP...	52	1.862.650.04
0000	A...	1.862.676.81		BACKRAG A/D ANTI ALIASING FILTER	St	C...	218	59.05.0683	6 B	20% 50V CER	ARY	IC...	28	50.09.0109	HA-2525 AN	ARY	MP...	53	1.862.650.04	ISOLATION ZU ABSCHWELDCHE	ARY	MP...	53	1.862.650.04
0000	A...	1.862.677.00		BACKRAG A/D INPUT MODULE	St	C...	254	59.22.5431	100 n	20% 25V EL	ARY	IC...	58	50.09.0109	HA-2525 AN	ARY	MP...	56	1.862.650.04	ISOLATION ZU ABSCHWELDCHE	ARY	MP...	56	1.862.650.04
0000	A...	1.862.676.81		BACKRAG A/D ANTI ALIASING FILTER	St	C...	1905	59.05.0683	6 B	20% 50V CER	ARY	IC...	81	50.09.0109	HA-2525 AN	ARY	MP...	57	1.862.650.04	ISOLATION ZU ABSCHWELDCHE	ARY	MP...	57	1.862.650.04
0000	A...	1.862.676.81		BACKRAG A/D ANTI ALIASING FILTER	St	C...	1906	59.05.0683	6 B	20% 50V CER	ARY	IC...	82	50.09.0109	HA-2525 AN	ARY	MP...	58	1.862.650.04	ISOLATION ZU ABSCHWELDCHE	ARY	MP...	58	1.862.650.04
0000	A...	1.862.676.81		BACKRAG A/D ANTI ALIASING FILTER	St	C...	1907	59.05.0683	6 B	20% 50V CER	ARY	IC...	83	50.09.0109	HA-2525 AN	ARY	MP...	59	1.862.650.04	ISOLATION ZU ABSCHWELDCHE	ARY	MP...	59	1.862.650.04
0000	A...	1.862.676.81		BACKRAG A/D ANTI ALIASING FILTER	St	C...	1911	59.05.0683	6 B	20% 50V CER	ARY	IC...	103	50.09.0037	AD 7528 J8	ARY	MP...	61	1.862.650.04	ISOLATION ZU ABSCHWELDCHE	ARY	MP...	61	1.862.650.04
0000	A...	1.862.676.81		BACKRAG A/D ANTI ALIASING FILTER	St	C...	1912	59.22.5470	47 n	20% 25V EL	ARY	IC...	104	50.09.0106	NE 5522 AN	ARY	MP...	61	1.862.650.04	ISOLATION ZU ABSCHWELDCHE	ARY	MP...	61	1.862.650.04
0000	A...	1.862.676.81		BACKRAG A/D ANTI ALIASING FILTER	St	C...	1913	59.05.0683	6 B	20% 50V CER	ARY	IC...	105	50.09.0181	HA-2525 AN	ARY	MP...	62	1.862.650.01	ISOLATION ZU ABSCHWELDCHE	ARY	MP...	62	1.862.650.01
0000	A...	1.862.676.81		BACKRAG A/D ANTI ALIASING FILTER	St	C...	1914	59.05.0683	6 B	20% 50V CER	ARY	IC...	106	50.09.0109	HA-2525 AN	ARY	MP...	63	1.862.650.07	ISOLATION ZU ABSCHWELDCHE	ARY	MP...	63	1.862.650.07
0000	A...	1.862.676.81		BACKRAG A/D ANTI ALIASING FILTER	St	C...	1917	59.05.0683	6 B	20% 50V CER	ARY	IC...	107	50.17.0101	HA-2525 AN	ARY	MP...	64	1.862.650.05	ISOLATION ZU ABSCHWELDCHE	ARY	MP...	64	1.862.650.05
0000	A...	1.862.676.81		BACKRAG A/D ANTI ALIASING FILTER	St	C...	1916	59.05.0683	6 B	20% 50V CER	ARY	IC...	108	50.09.0109	HA-2525 AN	ARY	MP...	65	1.862.650.05	ISOLATION ZU ABSCHWELDCHE	ARY	MP...	65	1.862.650.05
0000	A...	1.862.676.81		BACKRAG A/D ANTI ALIASING FILTER	St	C...	1917	59.05.0683	6 B	20% 50V CER	ARY	IC...	109	50.09.0109	HA-2525 AN	ARY	MP...	66	1.862.650.05	ISOLATION ZU ABSCHWELDCHE	ARY	MP...	66	1.862.650.05
0000	A...	1.862.676.81		BACKRAG A/D ANTI ALIASING FILTER	St	C...	1918	59.05.0683	6 B	20% 50V CER	ARY	IC...	110	50.09.0109	HA-2525 AN	ARY	MP...	67	1.862.650.05	ISOLATION ZU ABSCHWELDCHE	ARY	MP...	67	1.862.650.05
0000	A...	1.862.676.81		BACKRAG A/D ANTI ALIASING FILTER	St	C...	1919	59.05.0683	6 B	20% 50V CER	ARY	IC...	112	50.17.0101	HA 201 HS	ARY	MP...	68	1.862.650.05	ISOLATION ZU ABSCHWELDCHE	ARY	MP...	68	1.862.650.05
0000	A...	1.862.676.81		BACKRAG A/D ANTI ALIASING FILTER	St	C...	1920	59.05.0683	6 B	20% 50V CER	ARY	IC...	133	50.09.0109	HA-2525 AN	ARY	MP...	69	1.862.650.05	ISOLATION ZU ABSCHWELDCHE	ARY	MP...	69	1.862.650.05
0000	A...	1.862.676.81		BACKRAG A/D ANTI ALIASING FILTER	St	C...	1921	59.05.0683	6 B	20% 50V CER	ARY	IC...	134	50.09.0109	HA-2525 AN	ARY	MP...	70	1.862.650.05	ISOLATION ZU ABSCHWELDCHE	ARY	MP...	70	1.862.650.05
0000	A...	1.862.676.81		BACKRAG A/D ANTI ALIASING FILTER	St	C...	1922	59.05.0683	6 B	20% 50V CER	ARY	IC...	135	50.09.0109	HA-2525 AN	ARY	MP...	71	1.862.650.05	ISOLATION ZU ABSCHWELDCHE	ARY	MP...	71	1.862.650.05
0000	A...	1.862.676.81		BACKRAG A/D ANTI ALIASING FILTER	St	C...	1923	59.05.0683	6 B	20% 50V CER	ARY	IC...	154	50.09.0106	NE 5522 AN	ARY	MP...	72	1.862.650.05	ISOLATION ZU ABSCHWELDCHE	ARY	MP...	72	1.862.650.05
0000	A...	1.862.676.81		BACKRAG A/D ANTI ALIASING FILTER	St	C...	1924	59.05.0683	6 B	20% 50V CER	ARY	IC...	155	50.09.0106	NE 5522 AN	ARY	MP...	73	1.862.650.05	ISOLATION ZU ABSCHWELDCHE	ARY	MP...	73	1.862.650.05
0000	A...	1.862.676.81		BACKRAG A/D ANTI ALIASING FILTER	St	C...	1925	59.05.0683	6 B	20% 50V CER	ARY	IC...	156	50.09.0106	NE 5522 AN	ARY	MP...	74	1.862.650.05	ISOLATION ZU ABSCHWELDCHE	ARY	MP...	74	1.862.650.05
0000	A...	1.862.676.81		BACKRAG A/D ANTI ALIASING FILTER	St	C...	1926	59.05.0683	6 B	20% 50V CER	ARY	IC...	157	50.09.0106	NE 5522 AN	ARY	MP...	75	1.862.650.05	ISOLATION ZU ABSCHWELDCHE	ARY	MP...	75	1.862.650.05
0000	A...	1.862.676.81		BACKRAG A/D ANTI ALIASING FILTER	St	C...	1927	59.05.0683	6 B	20% 50V CER	ARY	IC...	158	50.09.0106	NE 5522 AN	ARY	MP...	76	1.862.650.05	ISOLATION ZU ABSCHWELDCHE	ARY	MP...	76	1.862.650.05
0000	A...	1.862.676.81		BACKRAG A/D ANTI ALIASING FILTER	St	C...	1928	59.05.0683	6 B	20% 50V CER	ARY	IC...	159	50.09.0106	NE 5522 AN	ARY	MP...	77	1.862.650.05	ISOLATION ZU ABSCHWELDCHE	ARY	MP...	77	1.862.650.05
0000	A...	1.862.676.81		BACKRAG A/D ANTI ALIASING FILTER	St	C...	1929	59.05.0683	6 B	20% 50V CER	ARY	IC...	160	50.09.0106	NE 5522 AN	ARY	MP...	78	1.862.650.05	ISOLATION ZU ABSCHWELDCHE	ARY	MP...	78	1.862.650.05
0000	A...	1.862.676.81		BACKRAG A/D ANTI ALIASING FILTER	St	C...	1930	59.05.0683	6 B	20% 50V CER	ARY	IC...	161	50.09.0106	NE 5522 AN	ARY	MP...	79	1.862.650.05	ISOLATION ZU ABSCHWELDCHE	ARY	MP...	79	1.862.650.05
0000	A...	1.862.676.81		BACKRAG A/D ANTI ALIASING FILTER	St	C...	1931	59.05.0683	6 B	20% 50V CER	ARY	IC...	162	50.09.0106	NE 5522 AN	ARY	MP...	80	1.862.650.05	ISOLATION ZU ABSCHWELDCHE	ARY	MP...	80	1.862.650.05

S T U D E R (06) 90/08/10 LAR BCH A/D CONVERTER FL 1.862.650.20 PAGE 1 S T U D E R (06) 90/08/10 LAR BCH A/D CONVERTER FL 1.862.650.20 PAGE 4 S T U D E R (06) 90/08/10 LAR BCH A/D CONVERTER FL 1.862.650.20 PAGE 7 S T U D E R (06) 90/08/10 LAR BCH A/D CONVERTER FL 1.862.650.20 PAGE 10

IND.	POS.NO.	PART NO.	VALUE	SPECIFICATIONS / EQUIVALENT	MANUF.	IND.	POS.NO.	PART NO.	VALUE	SPECIFICATIONS / EQUIVALENT	MANUF.	IND.	POS.NO.	PART NO.	VALUE	SPECIFICATIONS / EQUIVALENT	MANUF.	IND.	POS.NO.	PART NO.	VALUE	SPECIFICATIONS / EQUIVALENT	MANUF.	
C...	17	59.05.1102	1 n	1% 160V PP	ARY	C...	1032	59.05.0683	6 B	20% 50V CER	ARY	IC...	157	50.17.0101	HA 201 HS	ARY	MP...	81	57.11.3122	1.2 g	ARY	MP...	81	57.11.3122
C...	18	59.05.1102	1 n	1% 160V PP	ARY	C...	1033	59.05.0683	6 B	20% 50V CER	ARY	IC...	158	50.09.0109	HA-2525 AN	ARY	MP...	82	57.11.3122	1.2 g	ARY	MP...	82	57.11.3122
C...	19	59.05.0683	6 B	20% 50V CER	ARY	C...	1034	59.22.5470	47 n	20% 25V EL	ARY	IC...	159	50.09.0106	NE 5522 AN	ARY	MP...	83	57.11.3122	1.2 g	ARY	MP...	83	57.11.3122
C...	20	59.34.2220	22 g	20% 50V CER	ARY	C...	1035	59.05.0683	6 B	20% 50V CER	ARY	IC...	160	50.09.0109	HA-2525 AN	ARY	MP...	84	57.11.3122	1.2 g	ARY	MP...	84	57.11.3122
C...	21	59.05.0683	6 B	20% 50V CER	ARY	C...	1036	59.05.0683	6 B	20% 50V CER	ARY	IC...	161	50.09.0109	HA-2525 AN	ARY	MP...	85	57.11.3122	1.2 g	ARY	MP...	85	57.11.3122

STUDER D820 MCH

A/D CONVERTER WITH TRAF0 1.862.650.20

IND.	POS.NO.	PART NO.	VALUE	SPECIFICATIONS / EQUIVALENT	MANUF.	IND.	POS.NO.	PART NO.	VALUE	SPECIFICATIONS / EQUIVALENT	MANUF.
R...	132	57.11.3222	2.2 k	1% MF	ARY	XIC..	32	53.03.0168		DIL-SOCKET, 16-PIN	ARY
R...	133	57.11.3222	2.2 k	1% MF	ARY	XIC..	33	53.03.0166		DIL-SOCKET, 8-PIN	ARY
R...	138	57.11.3561	560 E	1% MF	ARY	XIC..	34	53.03.0165		DIL-SOCKET, 20-PIN	ARY
R...	139	57.11.3512	5.1 k	1% MF	ARY	XIC..	54	53.03.0166		DIL-SOCKET, 8-PIN	ARY
R...	141	57.11.3202	2.2 k	1% MF	ARY	XIC..	57	53.03.0108		DIL-SOCKET, 16-PIN	ARY
R...	142	57.11.3512	5.1 k	1% MF	ARY	XIC..	58	53.03.0166		DIL-SOCKET, 8-PIN	ARY
R...	143	57.11.3153	15 k	1% MF	ARY	XIC..	79	53.03.0166		DIL-SOCKET, 8-PIN	ARY
R...	145	57.11.3291	240 E	1% MF	ARY	XIC..	81	53.03.0166		DIL-SOCKET, 8-PIN	ARY
R...	146	57.11.3153	15 k	1% MF	ARY	XIC..	82	53.03.0109		DIL-SOCKET, 16-PIN	ARY
R...	147	57.11.3100	15 k	1% MF	ARY	XIC..	89	53.03.0166		DIL-SOCKET, 8-PIN	ARY
R...	148	57.11.3222	2.2 k	1% MF	ARY	XIC..	103	53.03.0165		DIL-SOCKET, 20-PIN	ARY
R...	150	57.11.3478	4.7 k	1% MF	ARY	XIC..	104	53.03.0166		DIL-SOCKET, 8-PIN	ARY
R...	155	57.11.3202	2.2 k	1% MF	ARY	XIC..	106	53.03.0166		DIL-SOCKET, 8-PIN	ARY
R...	156	57.11.3202	2.2 k	1% MF	ARY	XIC..	107	53.03.0166		DIL-SOCKET, 16-PIN	ARY
R...	157	57.11.3222	2.2 k	1% MF	ARY	XIC..	108	53.03.0166		DIL-SOCKET, 8-PIN	ARY
R...	158	57.11.3222	2.2 k	1% MF	ARY	XIC..	109	53.03.0166		DIL-SOCKET, 16-PIN	ARY
R...	163	57.11.3561	560 E	1% MF	ARY	XIC..	131	53.03.0166		DIL-SOCKET, 8-PIN	ARY
R...	164	57.11.3512	5.1 k	1% MF	ARY	XIC..	132	53.03.0168		DIL-SOCKET, 16-PIN	ARY
R...	166	57.11.3202	2.2 k	1% MF	ARY	XIC..	133	53.03.0166		DIL-SOCKET, 8-PIN	ARY
R...	167	57.11.3512	5.1 k	1% MF	ARY	XIC..	133	53.03.0165		DIL-SOCKET, 20-PIN	ARY
R...	168	57.11.3153	15 k	1% MF	ARY	XIC..	154	53.03.0166		DIL-SOCKET, 8-PIN	ARY
R...	170	57.11.3241	240 E	1% MF	ARY	XIC..	156	53.03.0166		DIL-SOCKET, 8-PIN	ARY
R...	171	57.11.3153	15 k	1% MF	ARY	XIC..	157	53.03.0168		DIL-SOCKET, 16-PIN	ARY
R...	172	57.11.3100	15 k	1% MF	ARY	XIC..	158	53.03.0166		DIL-SOCKET, 8-PIN	ARY
R...	173	57.11.3222	2.2 k	1% MF	ARY	XIC..	179	53.03.0166		DIL-SOCKET, 8-PIN	ARY
R...	175	57.11.3478	4.7 k	1% MF	ARY	XIC..	181	53.03.0166		DIL-SOCKET, 8-PIN	ARY
R...	180	57.11.3332	3.3 k	1% MF	ARY	XIC..	182	53.03.0168		DIL-SOCKET, 16-PIN	ARY
R...	182	57.11.3222	2.2 k	1% MF	ARY	XIC..	183	53.03.0166		DIL-SOCKET, 8-PIN	ARY
R...	183	57.11.3222	2.2 k	1% MF	ARY	XIC..	202	53.03.0166		DIL-SOCKET, 8-PIN	ARY
R...	188	57.11.3561	560 E	1% MF	ARY	XIC..	204	53.03.0165		DIL-SOCKET, 20-PIN	ARY
R...	189	57.11.3512	5.1 k	1% MF	ARY	XIC..	205	53.03.0165		DIL-SOCKET, 20-PIN	ARY
R...	191	57.11.3202	2.2 k	1% MF	ARY	XIC..	206	53.03.0167		DIL-SOCKET, 14-PIN	ARY
R...	192	57.11.3512	5.1 k	1% MF	ARY	XIC..	207	53.03.0165		DIL-SOCKET, 20-PIN	ARY
R...	193	57.11.3153	15 k	1% MF	ARY	XIC..	208	53.03.0108		DIL-SOCKET, 16-PIN	ARY
R...	195	57.11.3241	240 E	1% MF	ARY	XIC..	209	53.03.0165		DIL-SOCKET, 20-PIN	ARY
R...	196	57.11.3153	15 k	1% MF	ARY						

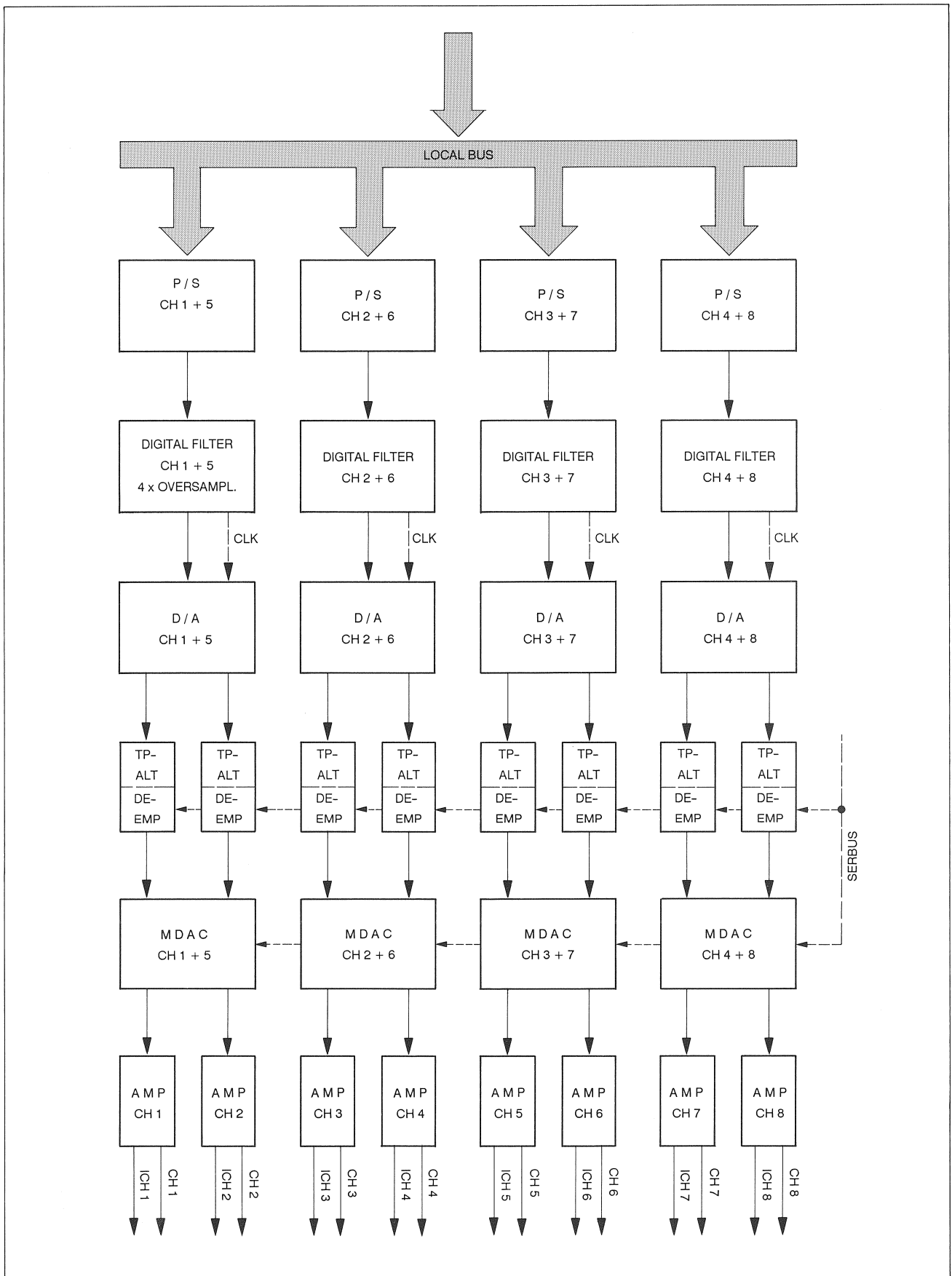
S T U D E R (06) 90/06/10 LAR BCH A/D CONVERTER PL 1.862.650.20 PAGE 13 S T U D E R (06) 90/06/10 LAR BCH A/D CONVERTER PL 1.862.650.20 PAGE 14

IND.	POS.NO.	PART NO.	VALUE	SPECIFICATIONS / EQUIVALENT	MANUF.	IND.	POS.NO.	PART NO.	VALUE	SPECIFICATIONS / EQUIVALENT	MANUF.
R...	197	57.11.3120	12 E	1% MF	ARY	XIC.210	53.03.0182			DIL-SOCKET, 24-PIN, MOLDED	ARY
R...	198	57.11.3222	2.2 k	1% MF	ARY	XIC.211	53.03.0168			DIL-SOCKET, 16-PIN	ARY
R...	200	57.11.3478	4.7 k	1% MF	ARY	XIC.212	53.03.0168			DIL-SOCKET, 16-PIN	ARY
R...	201	57.11.3242	2.4 k	1% MF	ARY	XIC.213	53.03.0168			DIL-SOCKET, 16-PIN	ARY
R...	202	57.11.3102	1.5 k	1% MF	ARY	XIC.214	53.03.0168			DIL-SOCKET, 16-PIN	ARY
R...	203	57.11.3102	1.5 k	1% MF	ARY	XIC.215	53.03.0168			DIL-SOCKET, 16-PIN	ARY
R...	204	57.11.3102	1.5 k	1% MF	ARY	XIC.216	53.03.0168			DIL-SOCKET, 16-PIN	ARY
R...	205	57.11.3221	220 E	1% MF	ARY	XIC.217	53.03.0168			DIL-SOCKET, 16-PIN	ARY
R...	206	57.11.3291	300 E	1% MF	ARY	XIC.218	53.03.0168			DIL-SOCKET, 16-PIN	ARY
R...	206	57.11.3291	300 E	1% MF	ARY	XIC.219	53.03.0165			DIL-SOCKET, 20-PIN	ARY
R...	207	57.11.3241	240 E	1% MF	ARY	XIC.220	53.03.0168			DIL-SOCKET, 16-PIN	ARY
R...	210	57.11.3391	390 E	1% MF	ARY	XIC.221	53.03.0168			DIL-SOCKET, 16-PIN	ARY
R...	210	57.11.3391	390 E	1% MF	ARY	XIC.222	53.03.0168			DIL-SOCKET, 16-PIN	ARY
R...	211	57.11.3241	240 E	1% MF	ARY	XIC.224	53.03.0165			DIL-SOCKET, 20-PIN	ARY
R...	214	57.11.3470	47 E 1	0% MF	ARY	XIC.225	53.03.0165			DIL-SOCKET, 20-PIN	ARY
R...	215	57.11.3241	240 E	1% MF	ARY						
R...	216	57.11.3241	240 E	1% MF	ARY						
R...	218	57.11.3222	2.2 k	1% MF	ARY						
R...	219	57.11.3222	2.2 k	1% MF	ARY						
RA...	2	58.01.8502	5 k	10% .5 W PMS	ARY						
RA...	12	58.01.8502	5 k	10% .5 W PMS	ARY						
RA...	22	58.01.8502	5 k	10% .5 W PMS	ARY						
RA...	32	58.01.8502	5 k	10% .5 W PMS	ARY						
RA...	42	58.01.8502	5 k	10% .5 W PMS	ARY						
RA...	52	58.01.8502	5 k	10% .5 W PMS	ARY						
RA...	62	58.01.8502	5 k	10% .5 W PMS	ARY						
RA...	72	58.01.8502	5 k	10% .5 W PMS	ARY						
TP...	1	54.02.0320		TESTPOINT	ARY						
TP...	2	54.02.0320		TESTPOINT	ARY						
TP...	3	54.02.0320		TESTPOINT	ARY						
TP...	4	54.02.0320		TESTPOINT	ARY						
TP...	5	54.02.0320		TESTPOINT	ARY						
TP...	6	54.02.0320		TESTPOINT	ARY						
TP...	7	54.02.0320		TESTPOINT	ARY						
TP...	8	54.02.0320		TESTPOINT	ARY						
TP...	9	54.02.0320		TESTPOINT	ARY						
TP...	10	54.02.0320		TESTPOINT	ARY						
TP...	11	54.02.0320		TESTPOINT	ARY						
TP...	12	54.02.0320		TESTPOINT	ARY						
TP...	13	54.02.0320		TESTPOINT	ARY						
TP...	14	54.02.0320		TESTPOINT	ARY						
TP...	15	54.02.0320		TESTPOINT	ARY						
TP...	16	54.02.0320		TESTPOINT	ARY						
TP...	17	54.02.0320		TESTPOINT	ARY						
TP...	18	54.02.0320		TESTPOINT	ARY						
TP...	19	54.02.0320		TESTPOINT	ARY						
TP...	20	54.02.0320		TESTPOINT	ARY						
TP...	21	54.02.0320		TESTPOINT	ARY						
TP...	22	54.02.0320		TESTPOINT	ARY						
TP...	23	54.02.0320		TESTPOINT	ARY						
TP...	24	54.02.0320		TESTPOINT	ARY						
TP...	25	54.02.0320		TESTPOINT	ARY						
TP...	26	54.02.0320		TESTPOINT	ARY						
TP...	27	54.02.0320		TESTPOINT	ARY						
TP...	28	54.02.0320		TESTPOINT	ARY						
TP...	29	54.02.0320		TESTPOINT	ARY						
TP...	30	54.02.0320		TESTPOINT	ARY						
TP...	31	54.02.0320		TESTPOINT	ARY						
TP...	32	54.02.0320		TESTPOINT	ARY						
TP...	33	54.02.0320		TESTPOINT	ARY						
TP...	34	54.02.0320		TESTPOINT	ARY						
TP...	35	54.02.0320		TESTPOINT	ARY						
TP...	36	54.02.0320		TESTPOINT	ARY						
TP...	37	54.02.0320		TESTPOINT	ARY						
TP...	38	54.02.0320		TESTPOINT	ARY						
TP...	39	54.02.0320		TESTPOINT	ARY						
TP...	40	54.02.0320		TESTPOINT	ARY						
TP...	41	54.02.0320		TESTPOINT	ARY						
TP...	42	54.02.0320		TESTPOINT	ARY						
TP...	43	54.02.0320		TESTPOINT	ARY						
TP...	44	54.02.0320		TESTPOINT	ARY						
XF...	201	53.03.0118		FUSE HOLDER	ARY						
XF...	202	53.03.0118		FUSE HOLDER	ARY						
XF...	204	53.03.0118		FUSE HOLDER	ARY						
XIC...	3	53.03.0165		DIL-SOCKET, 20-PIN	ARY						
XIC...	4	53.03.0166		DIL-SOCKET, 8-PIN	ARY						
XIC...	6	53.03.0166		DIL-SOCKET, 8-PIN	ARY						
XIC...	7	53.03.0168		DIL-SOCKET, 8-PIN	ARY						
XIC...	18	53.03.0166		DIL-SOCKET, 8-PIN	ARY						
XIC...	29	53.03.0166		DIL-SOCKET, 8-PIN	ARY						
XIC...	31	53.03.0166		DIL-SOCKET, 8-PIN	ARY						

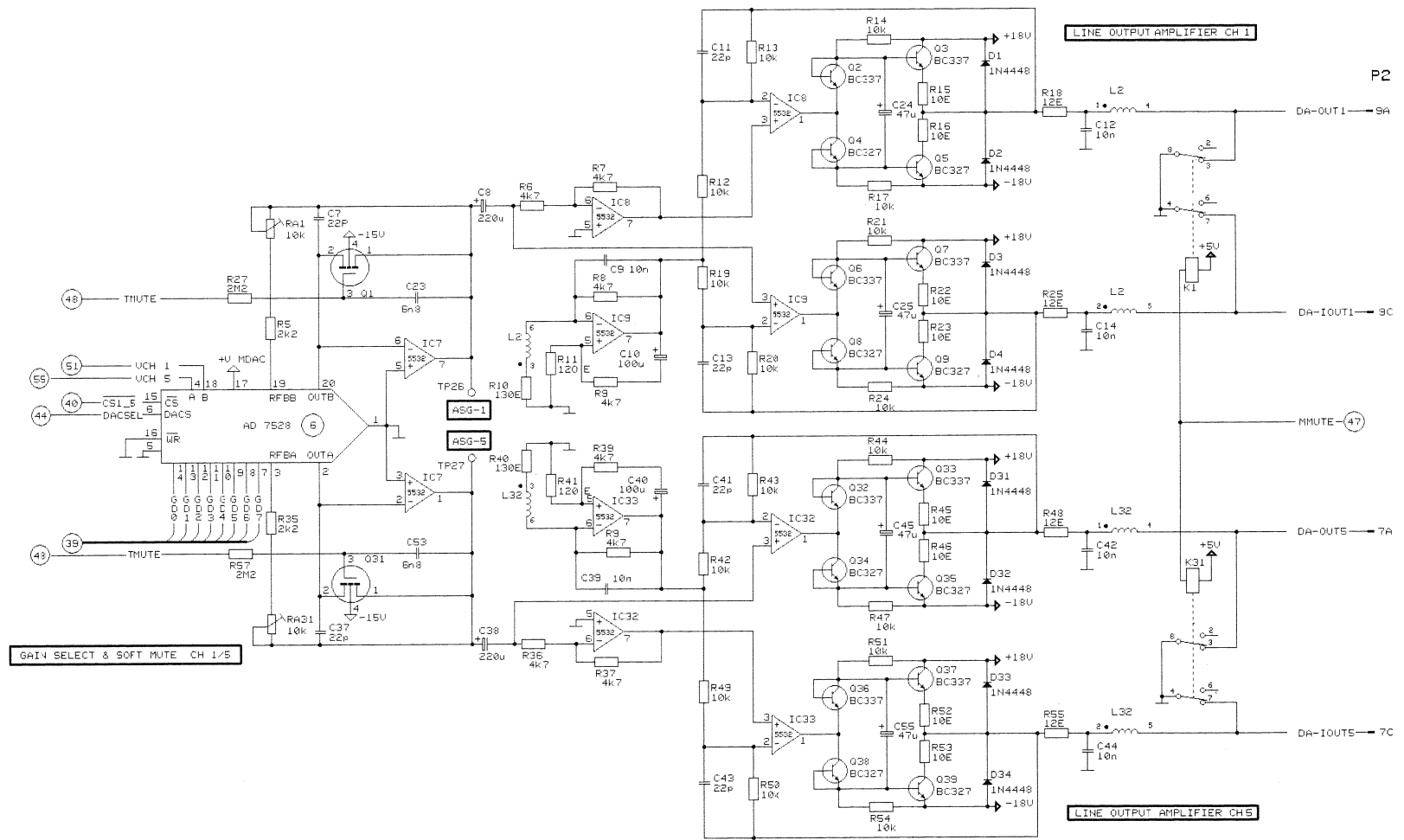
S T U D E R (06) 90/06/10 LAR BCH A/D CONVERTER PL 1.862.650.20 PAGE 14 S T U D E R (06) 90/06/10 LAR BCH A/D CONVERTER PL 1.862.650.20 PAGE 17

IND.	POS.NO.	PART NO.	VALUE	SPECIFICATIONS / EQUIVALENT	MANUF.
TP...	9	54.02.0320		TESTPOINT	ARY
TP...	10	54.02.0320		TESTPOINT	ARY
TP...	11	54.02.0320		TESTPOINT	ARY
TP...	12	54.02.0320		TESTPOINT	ARY
TP...	13	54.02.0320		TESTPOINT	ARY
TP...	14	54.02.0320		TESTPOINT	ARY
TP...	15	54.02.0320		TESTPOINT	ARY
TP...	16	54.02.0320		TESTPOINT	ARY
TP...	17	54.02.0320		TESTPOINT	ARY
TP...	18	54.02.0320		TESTPOINT	ARY
TP...	19	54.02.0320		TESTPOINT	ARY
TP...	20	54.02.0320		TESTPOINT	ARY
TP...	21	54.02.0320		TESTPOINT	ARY
TP...	22	54.02.0320		TESTPOINT	ARY
TP...	23	54.02.0320		TESTPOINT	ARY
TP...	24	54.02.0320		TESTPOINT	ARY
TP...	25	54.02.0320		TESTPOINT	ARY
TP...	26	54.02.0320		TESTPOINT	ARY
TP...	27	54.02.0320		TESTPOINT	ARY
TP...	28	54.02.0320		TESTPOINT	ARY
TP...	29	54.02.0320		TESTPOINT	ARY
TP...	30				

BLOCK DIAGRAM D/A CONVERTER

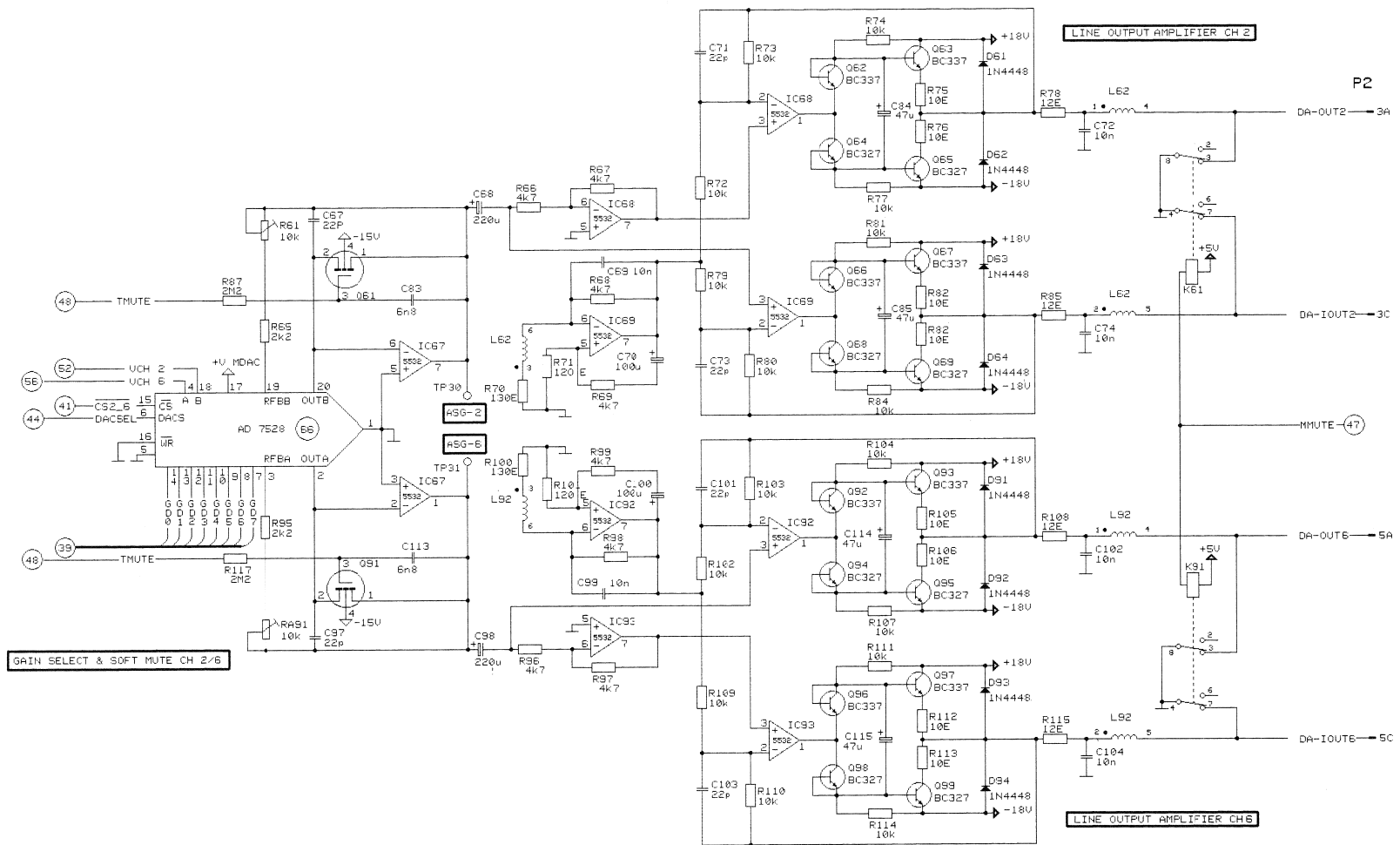


D/A CONVERTER 1.862.651.21



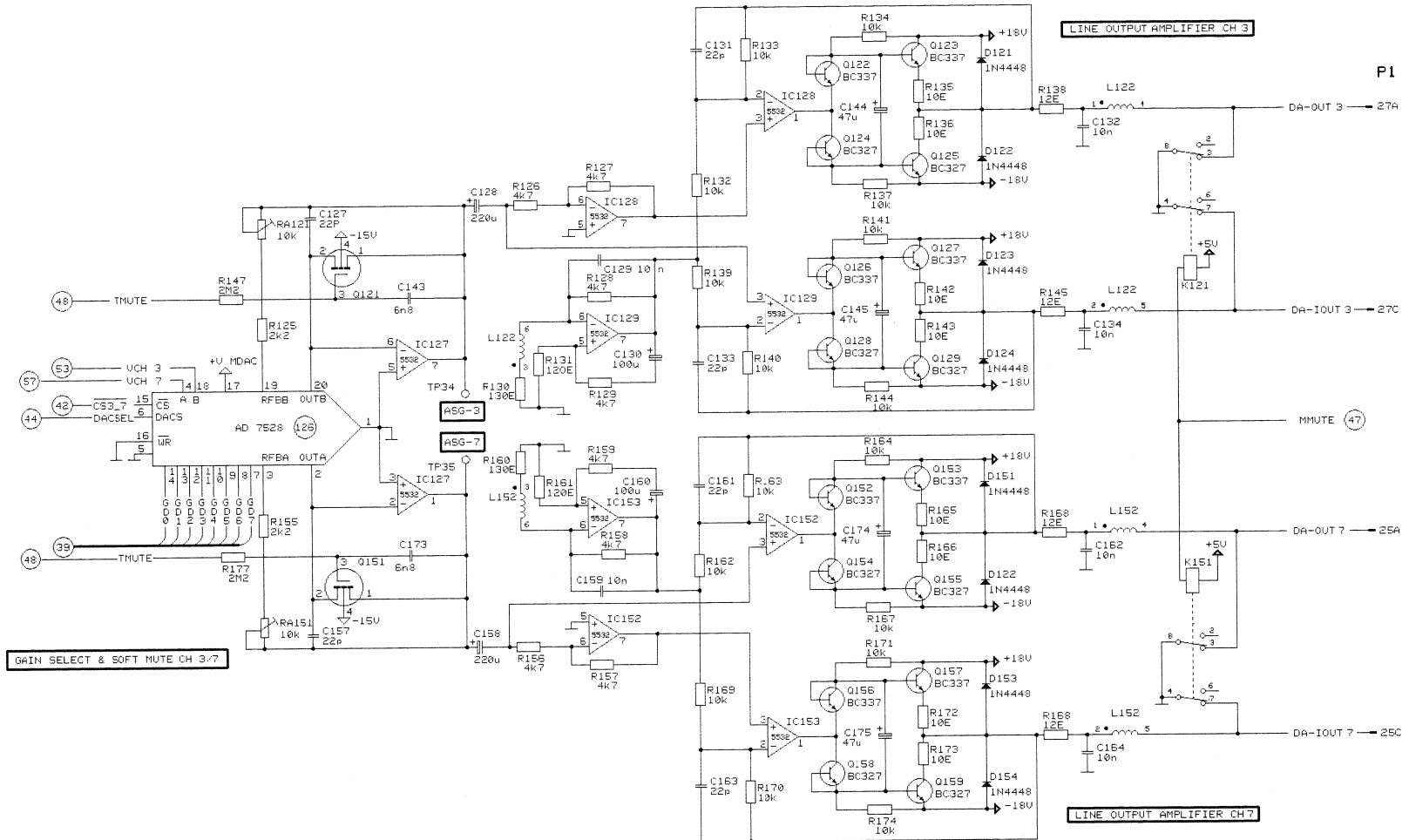
① 8.7.87 HJK	② 13.1.88 ER	③ 7.2.89 ER	○	○
D820 MCH				
STUDER		DIG/ANA CONVERTER		SC 1.862.651.21
				PAGE 1 OF 9

D/A CONVERTER 1.862.651.21



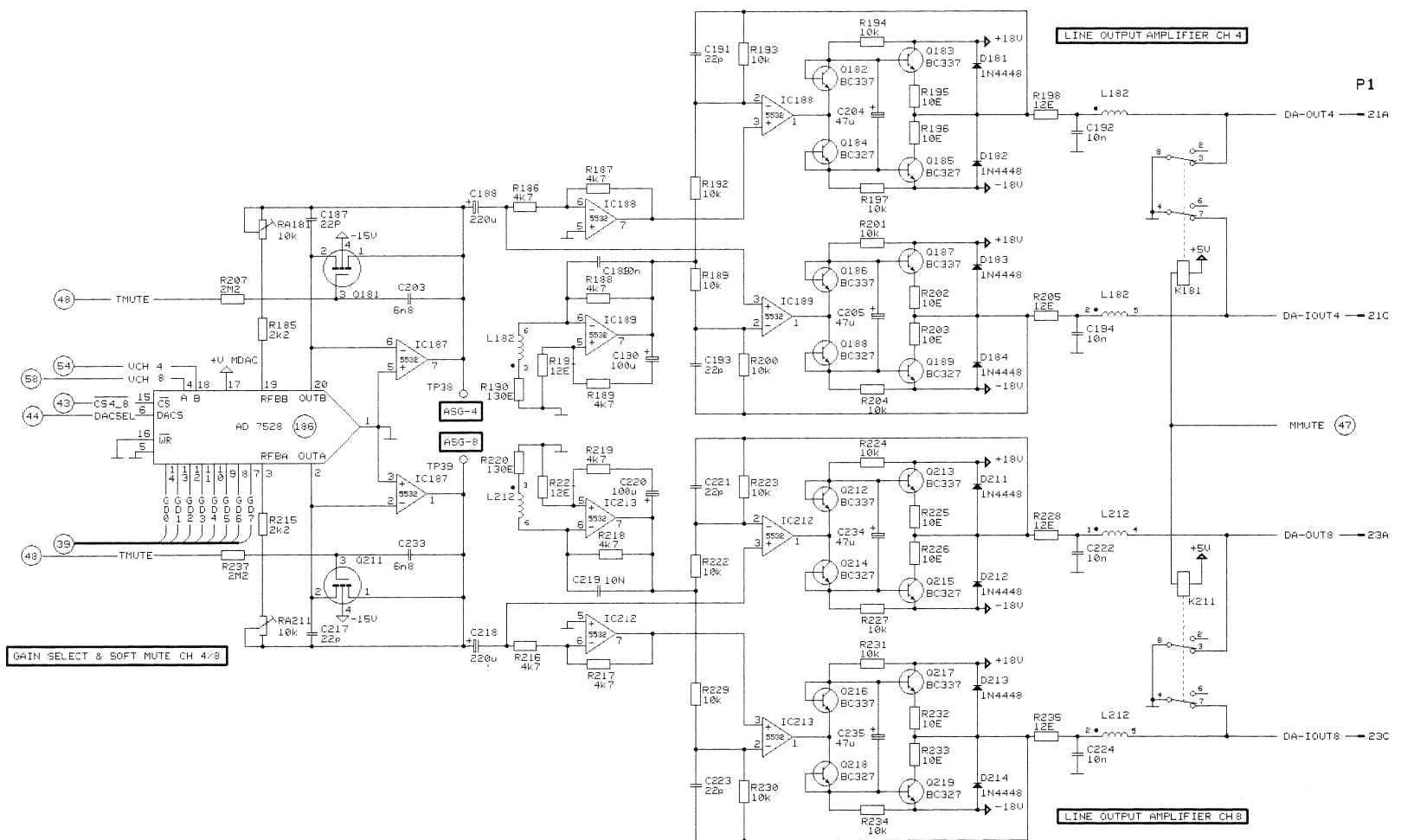
⑧ 8.7.87 HJK	① 7.2.89 ER	○	○	○
D820 MCH			PAGE 2 OF 9	
STUDER			DIG/ANA CONVERTER	
			SC	1.862.651.24

D/A CONVERTER 1.862.651.21



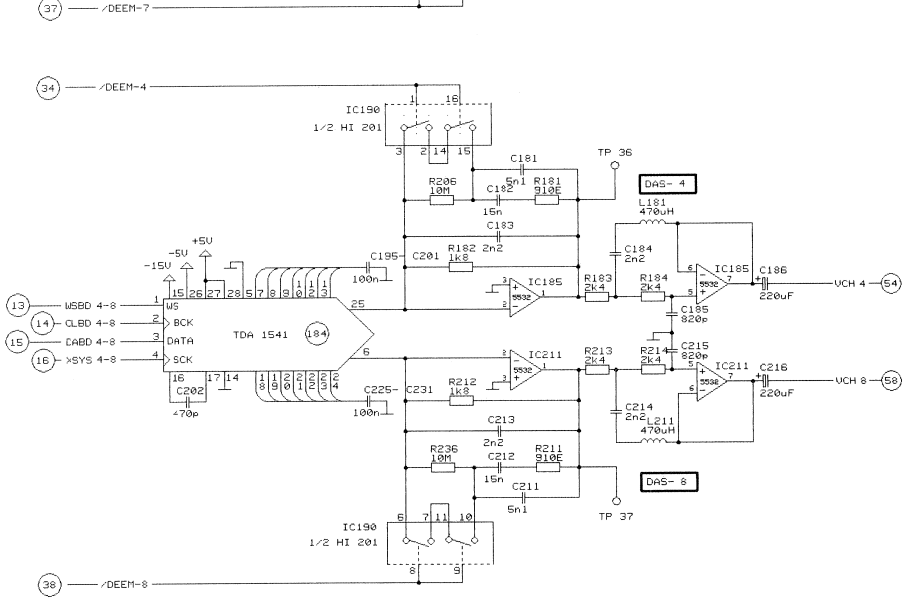
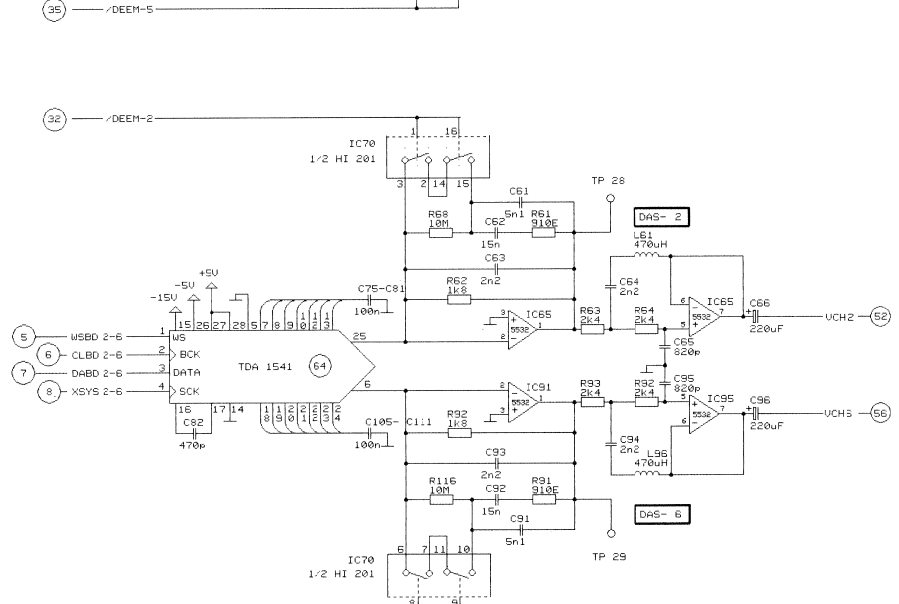
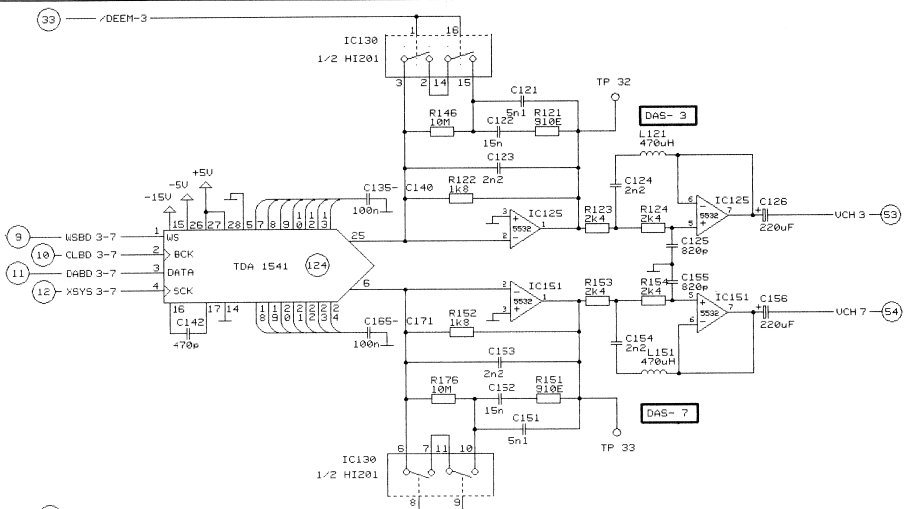
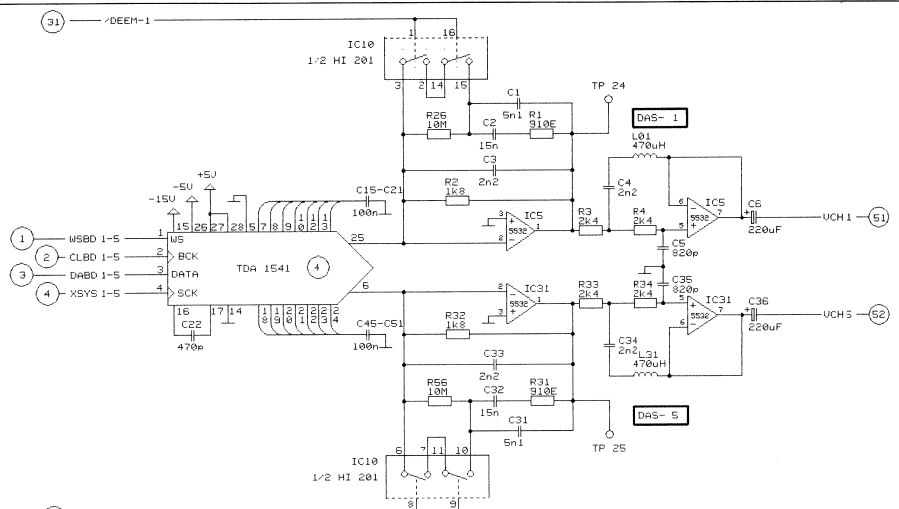
① 8.7.87 HJK	② 18.1.88 ER	③ 7.2.89 ER	○
D820 MCH			PAGE 3 OF 9
STUDER DIG/ANA CONVERTER		SC	1.862.651.21

D/A CONVERTER 1.862.651.21



① 8.7.87 HJK	① 18.1.88 ER	② 7.2.88 ER	○
D820 MCH			PAGE 4 OF 9
STUDER DIG/ANA CONVERTER			SC 1.862.651.21

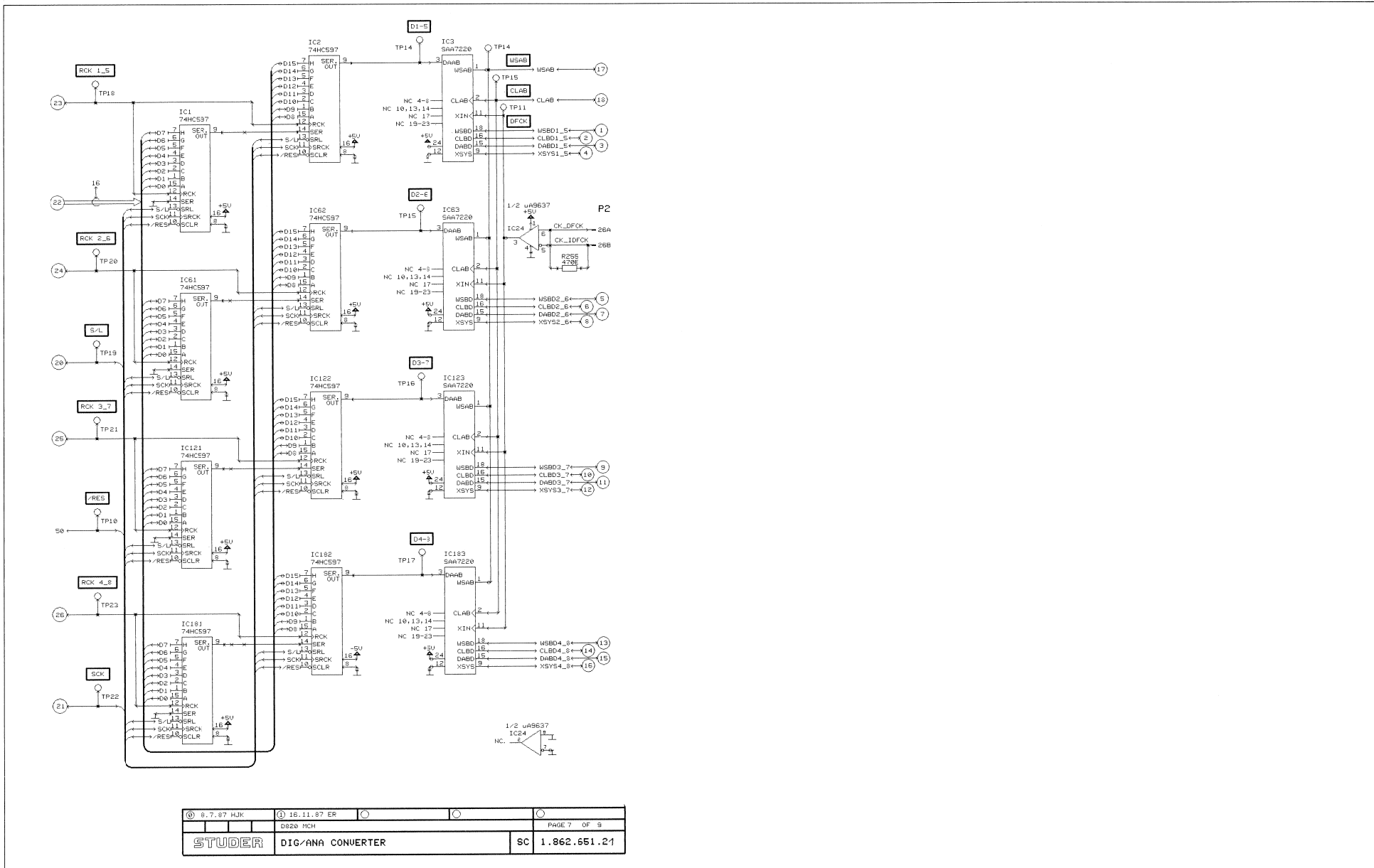
D/A CONVERTER 1.862.651.21



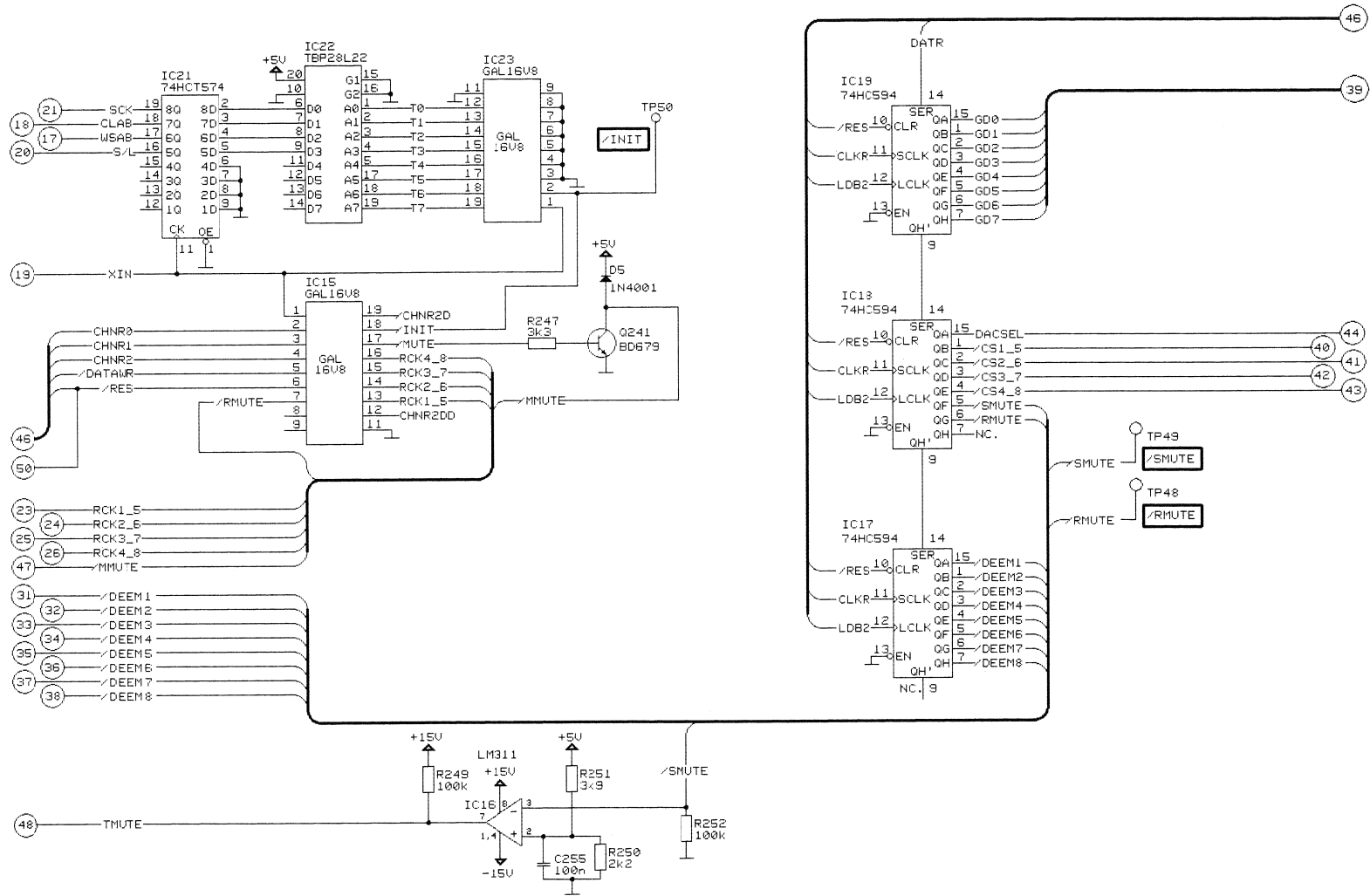
⑥ 8.7.87 HJK	① 18.1.88 ER	② 7.2.89 ER	○	○
D820 MCH				PAGE 5 OF 9
STUDER DIG/ANA CONVERTER			SC	1.862.651.21

⑥ 8.7.87 HJK	① 18.1.88 ER	② 7.2.89 ER	○	○
D820 MCH				PAGE 6 OF 9
STUDER DIG/ANA CONVERTER			SC	1.862.651.21

D/A CONVERTER 1.862.651.21

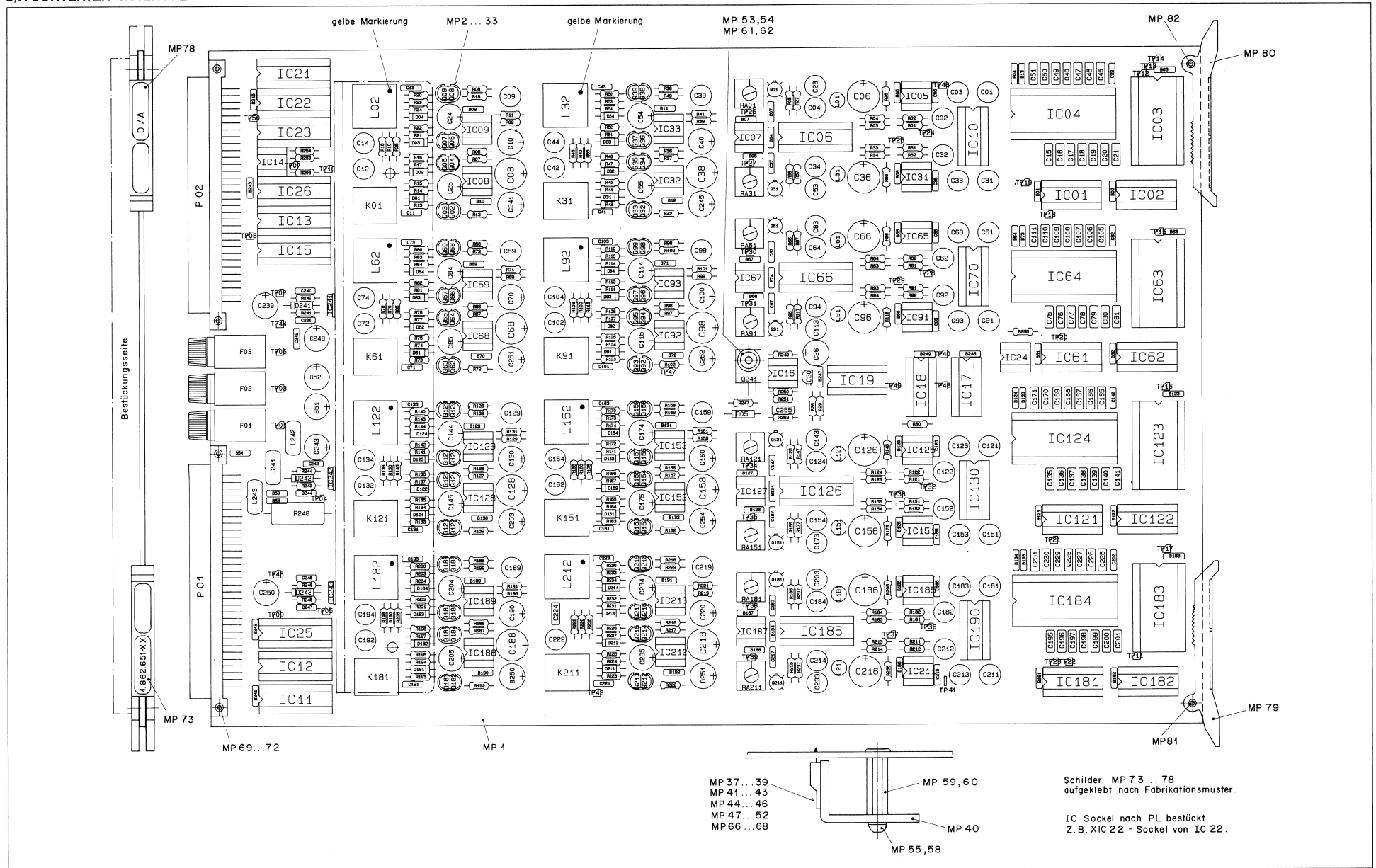


D/A CONVERTER 1.862.651.21

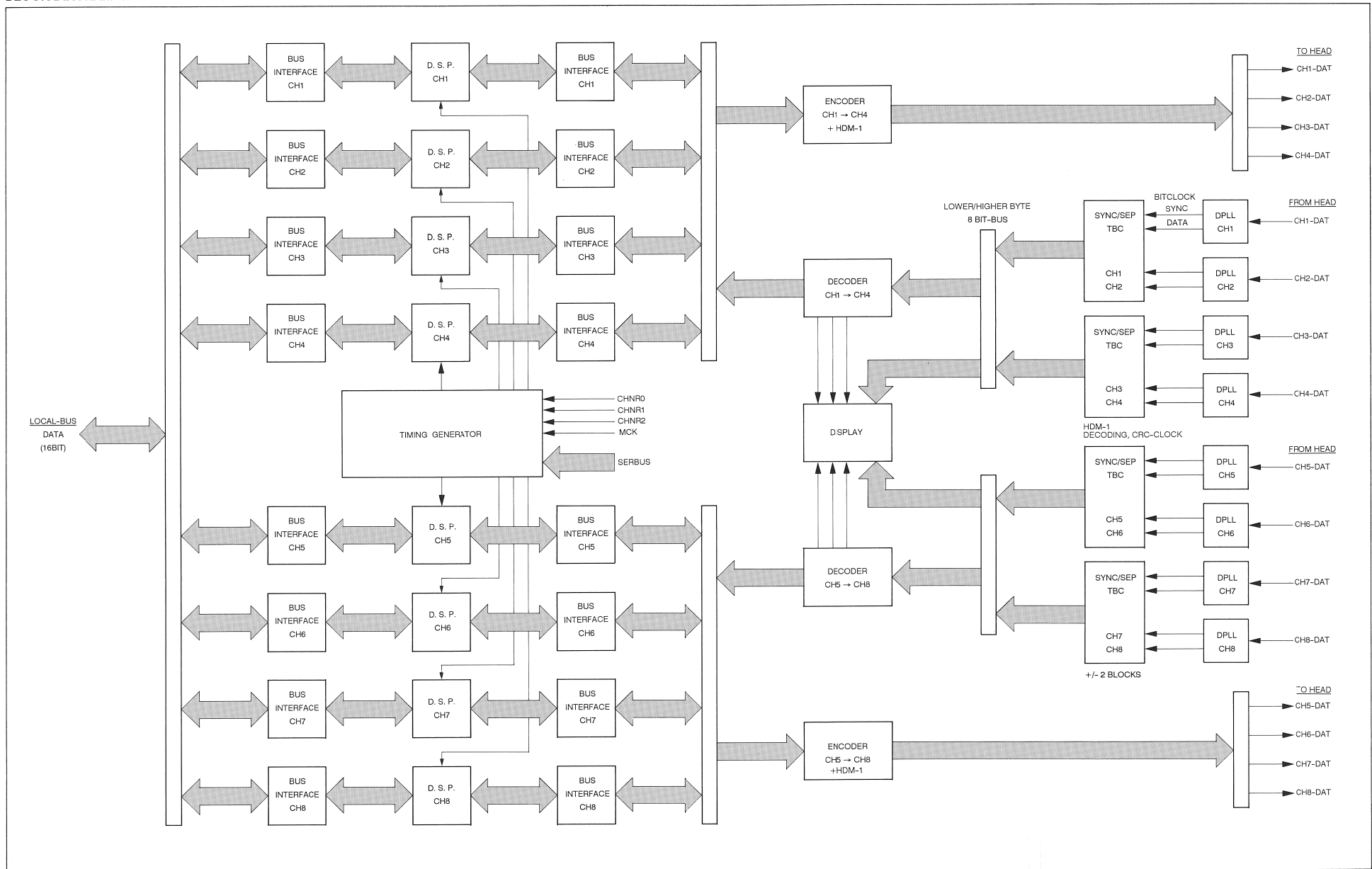


© 8.7.87 HJK				
	D820 MCH			PAGE 8 OF 9
STUDER	DIG/ANA CONVERTER	SC	1.862.651.21	

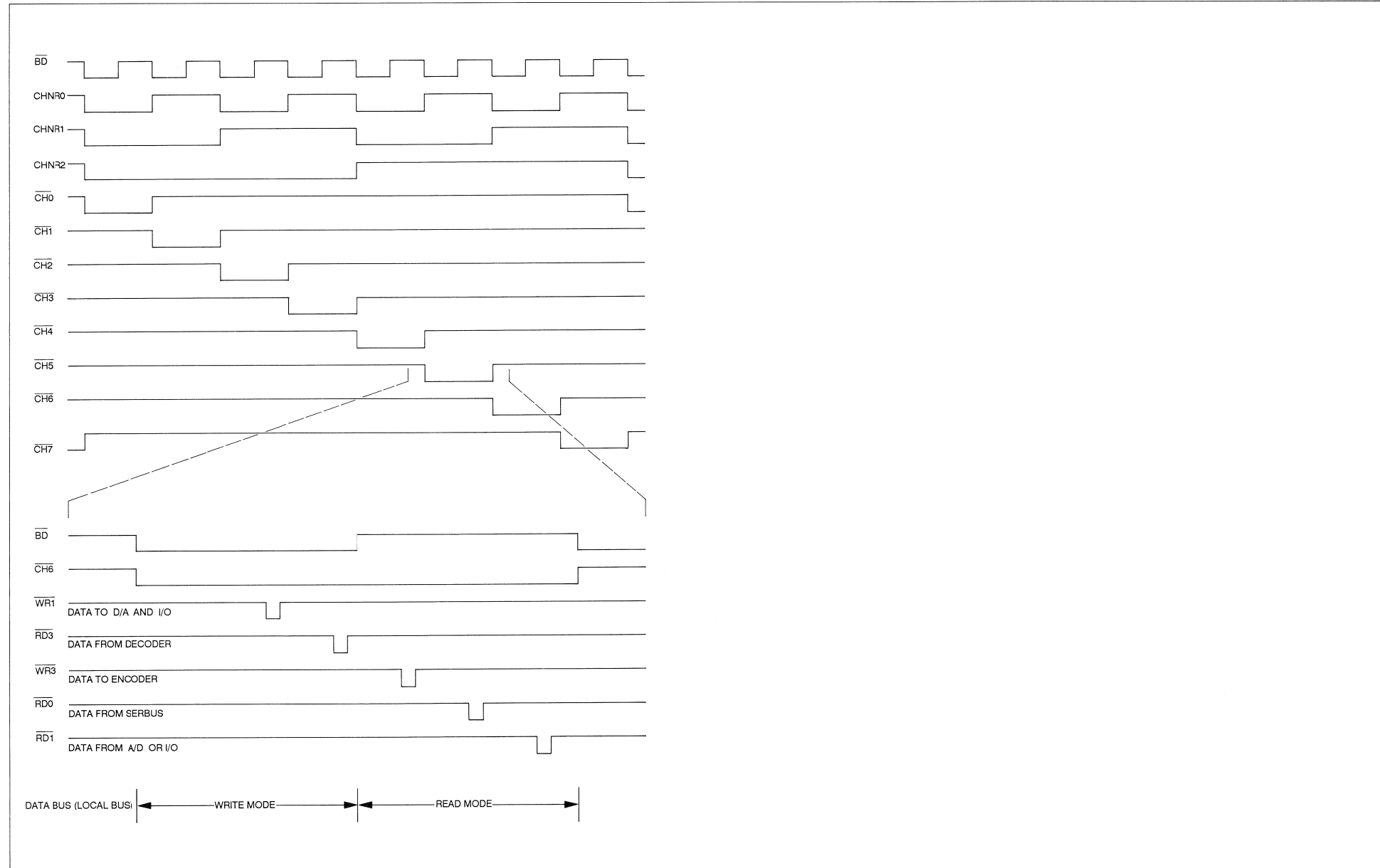
D/A CONVERTER 1.862.651.21



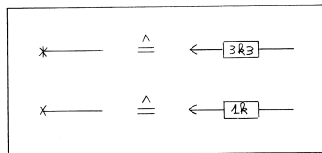
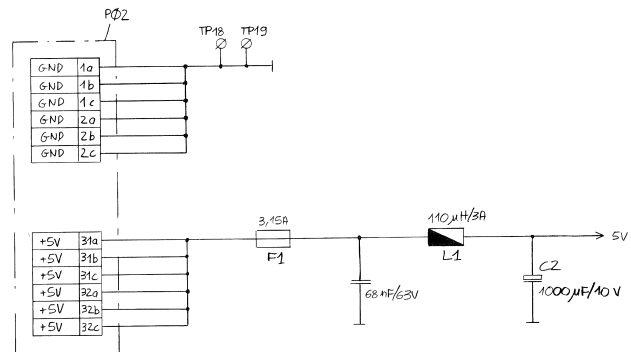
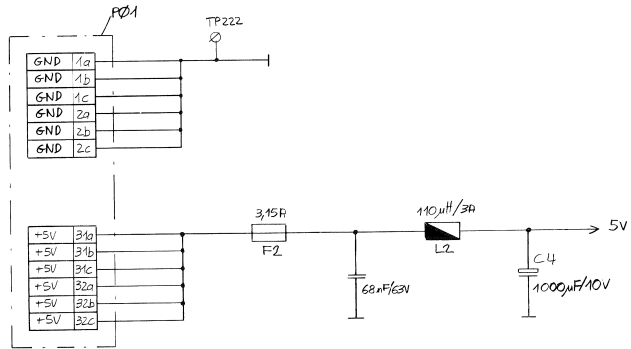
BLOCK DIAGRAM MCH DATA PROCESSOR



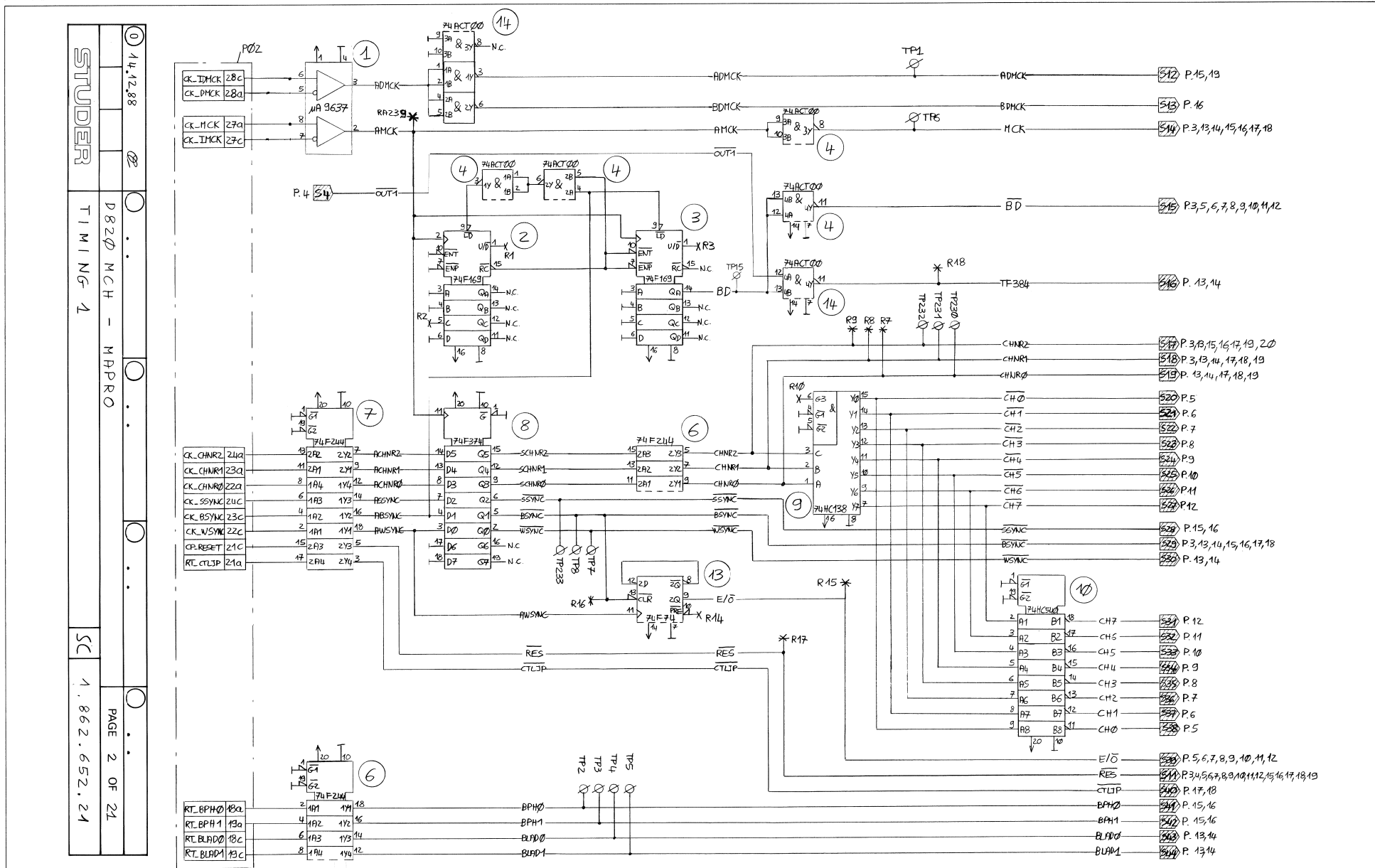
BLOCK DIAGRAM MCH DATA PROCESSOR



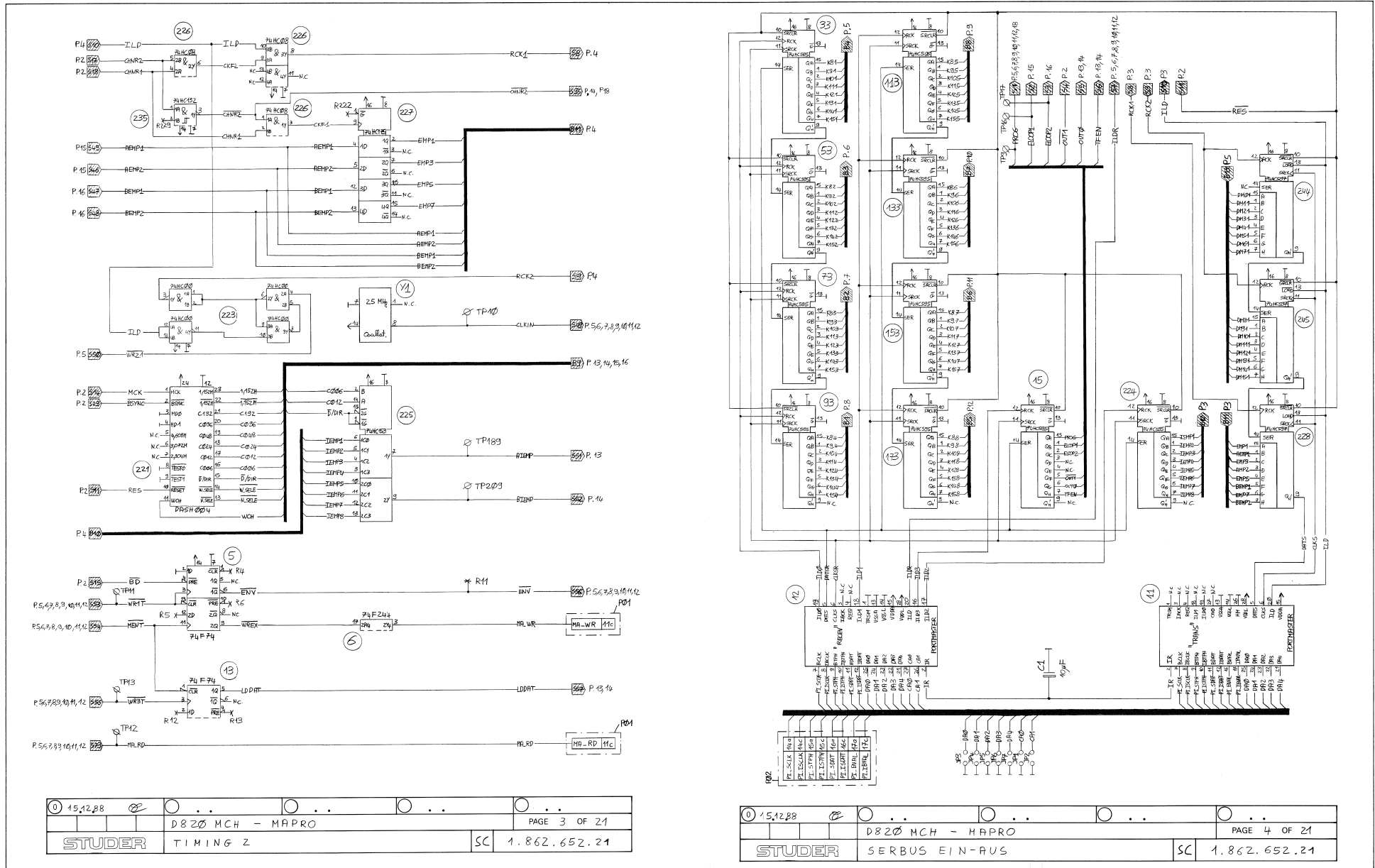
MCH DATA PROCESSOR 1.862.652.21



0	14.12.88							
D820 MCH - MAPRO							PAGE 1 OF 21	
STUDER		SPEISUNG			SC	1.862.652.21		

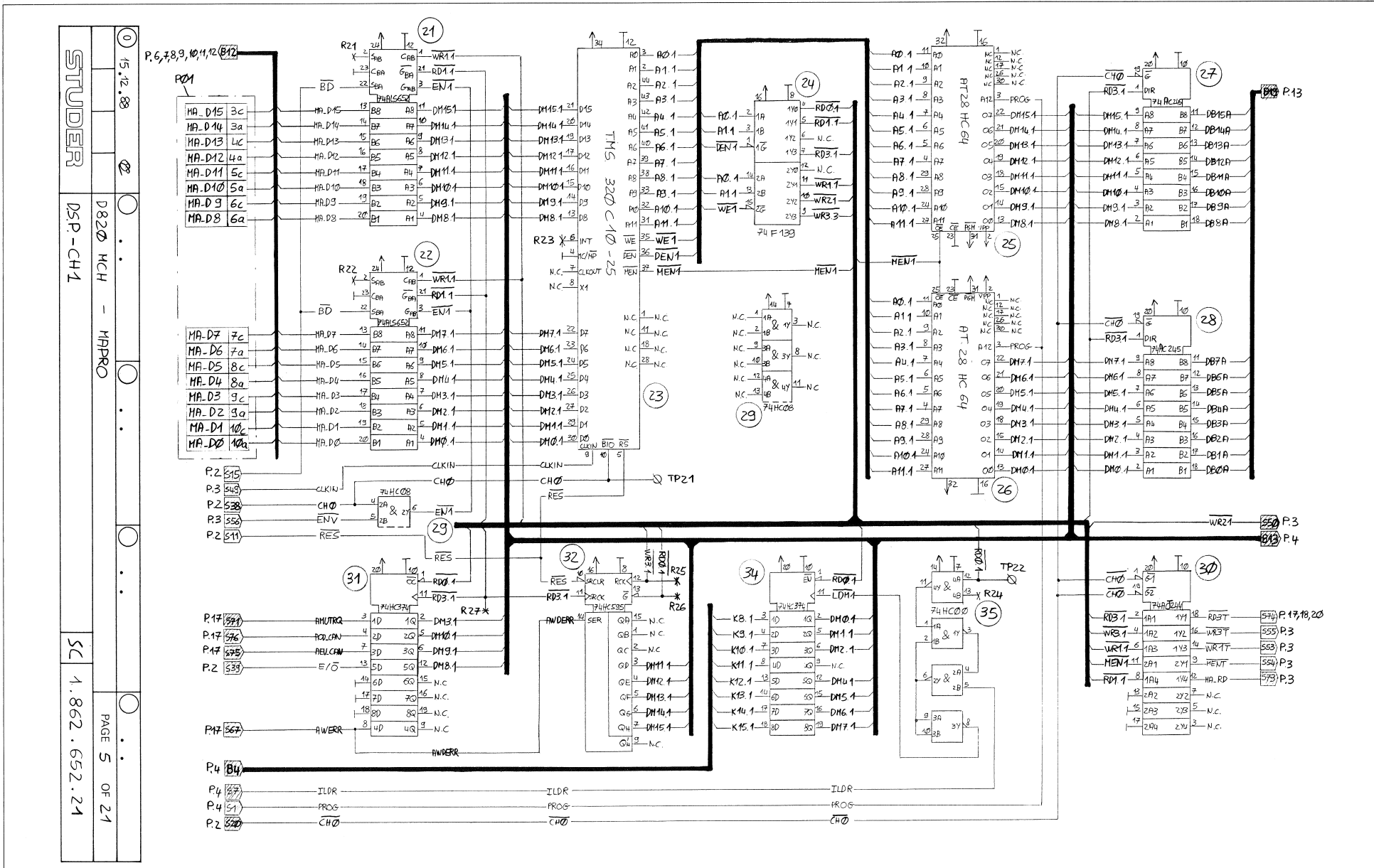


MCH DATA PROCESSOR 1.862.652.21



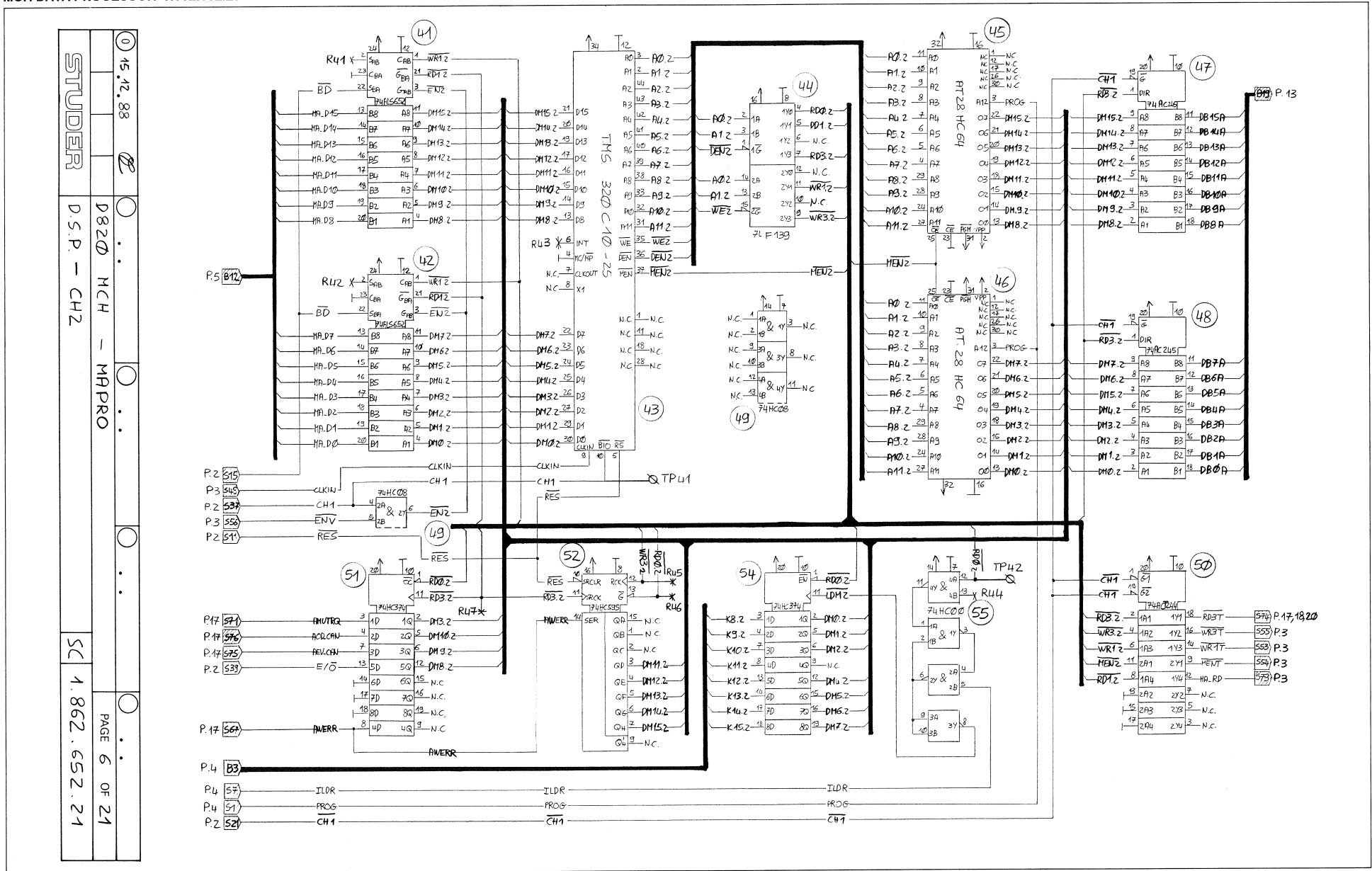
0	15,12,88				
STUDER		TIMING 2		SC 1.862.652.21	

0	15,12,88				
STUDER		SERBUS EIN-AUS		SC 1.862.652.21	



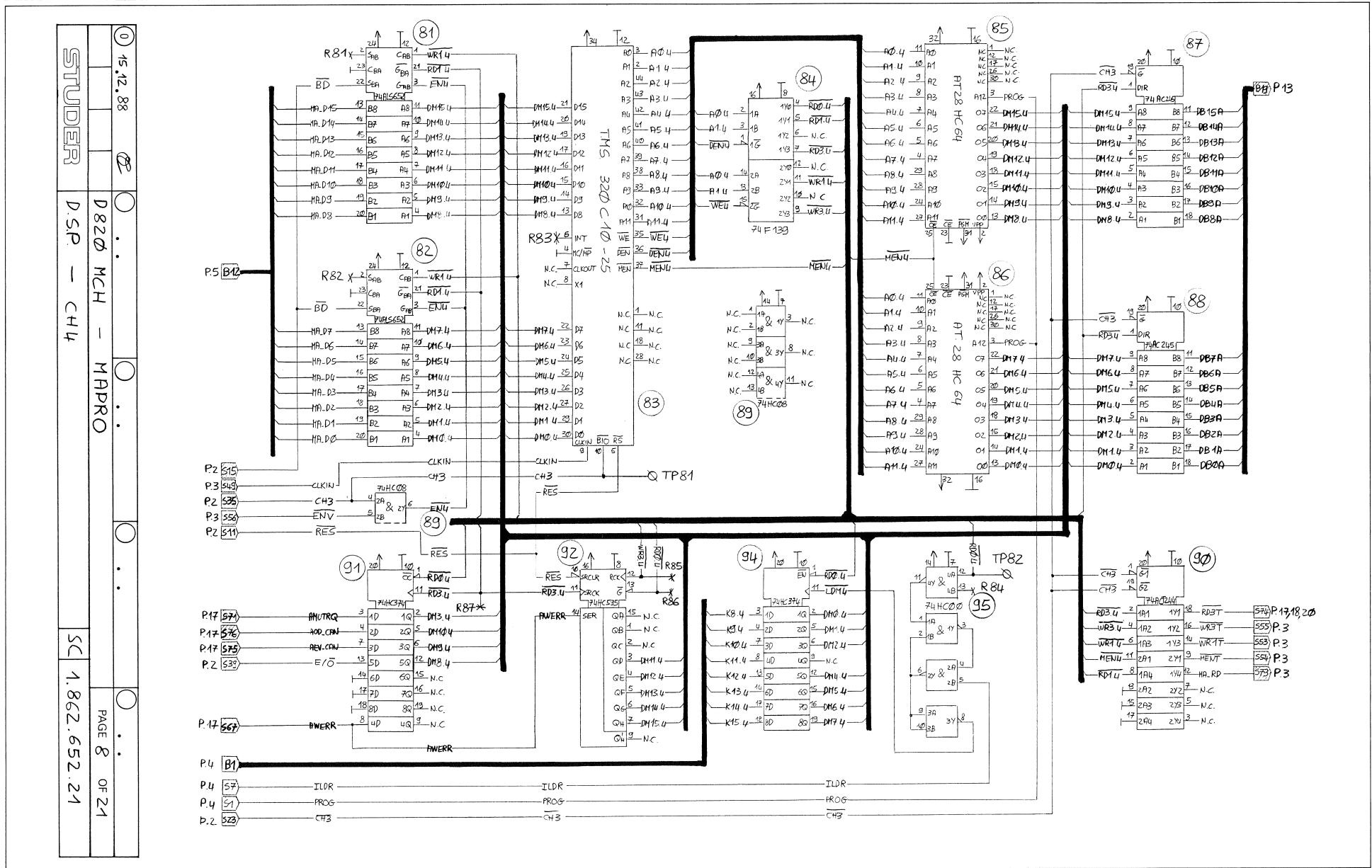
STUDER D820 MCH

MCH DATA PROCESSOR 1.862.652.21

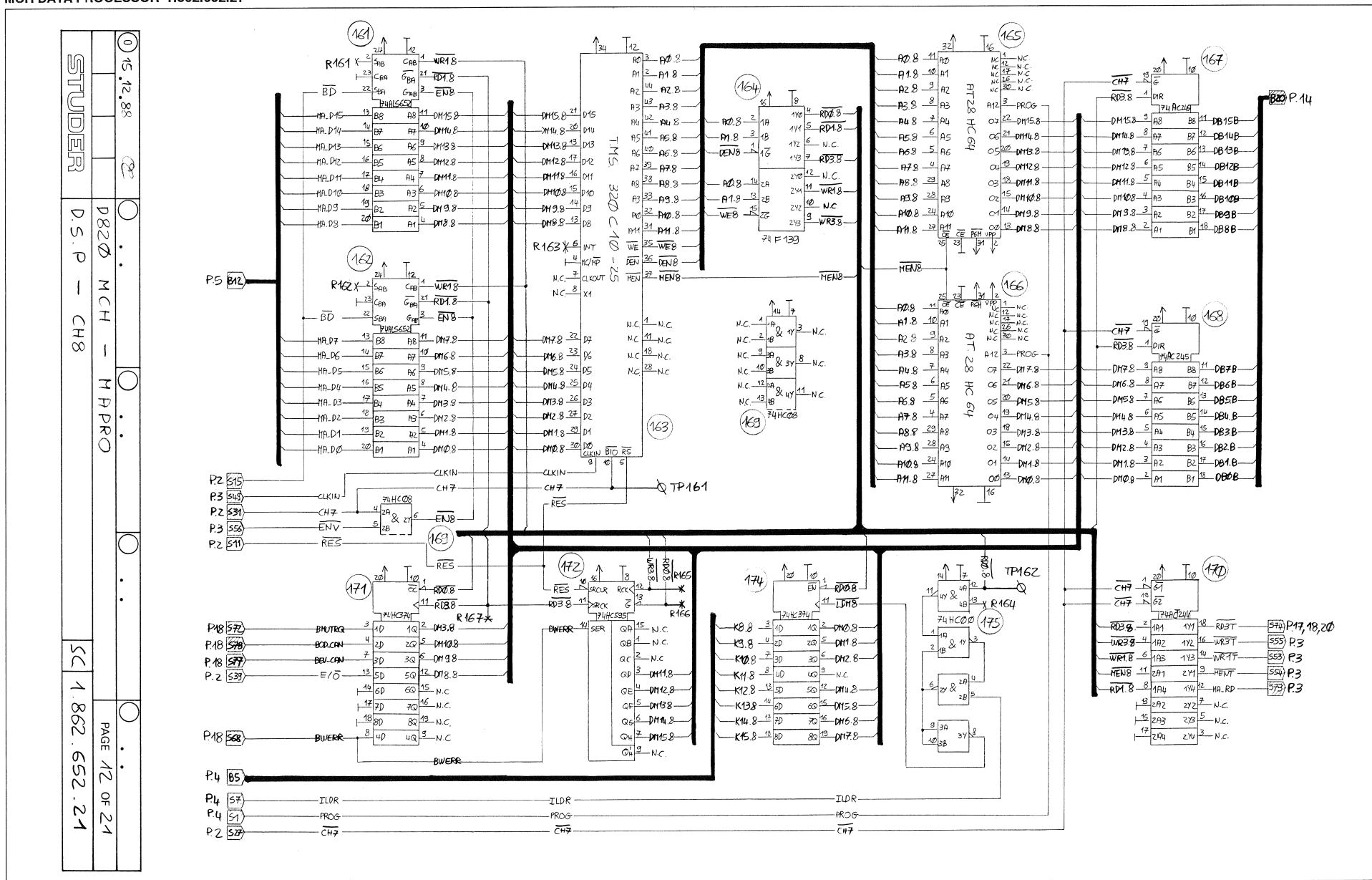


STUDER
D.S.P. - CH2
D820 MCH - MPRO
SC
1.862.652.21
PAGE 6 OF 21

MCH DATA PROCESSOR 1.862.652.21

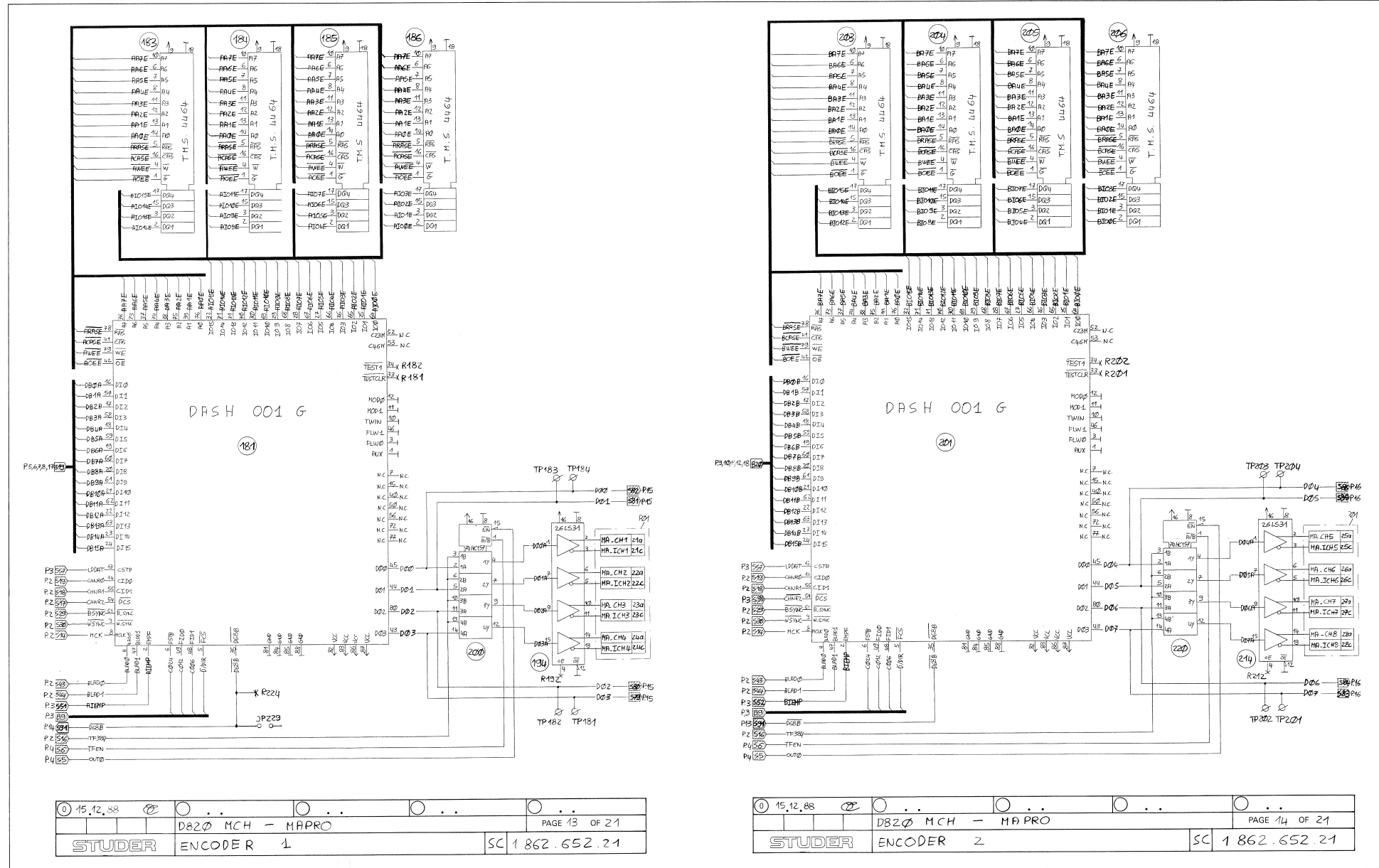


MCH DATA PROCESSOR 1.862.652.21

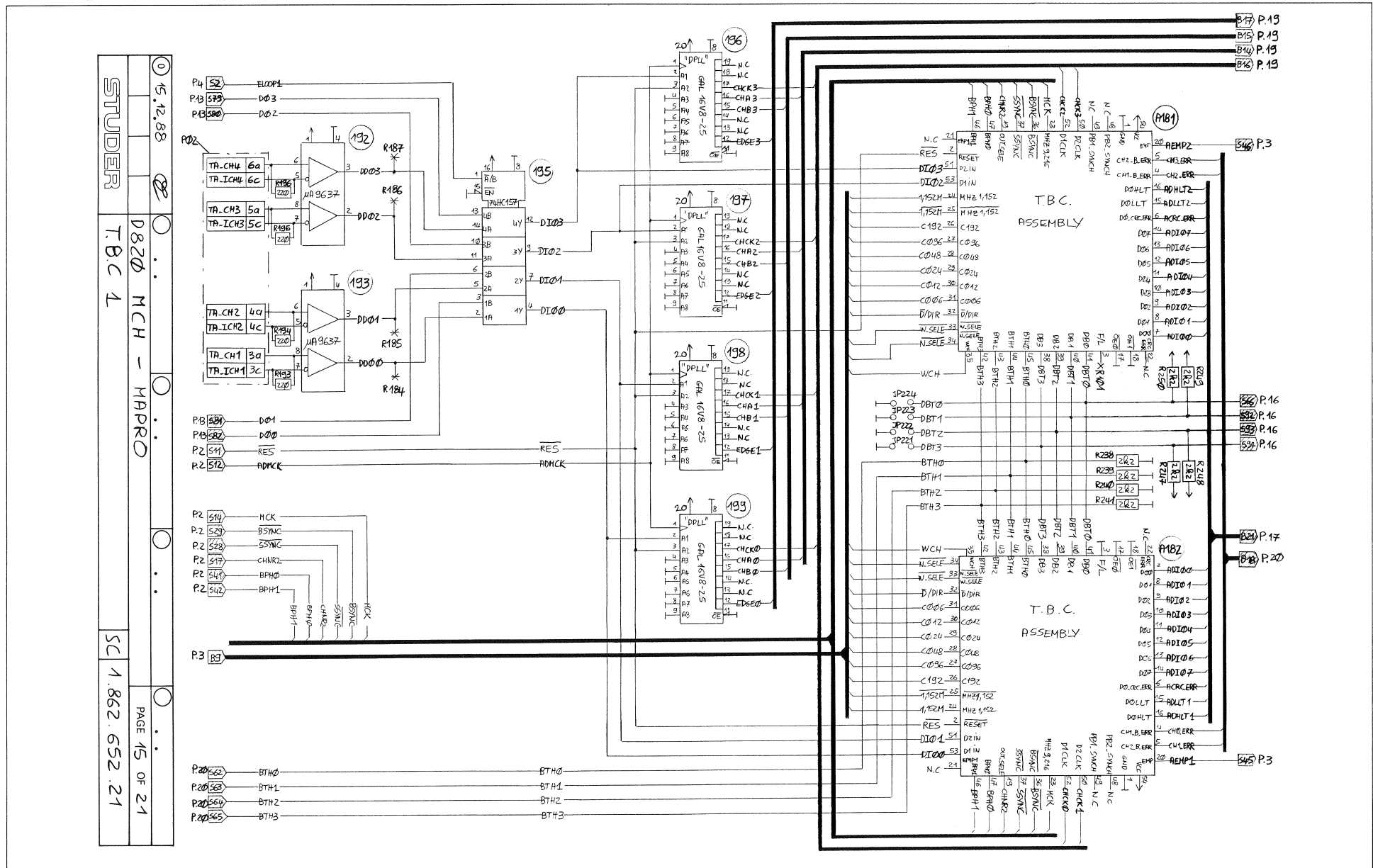


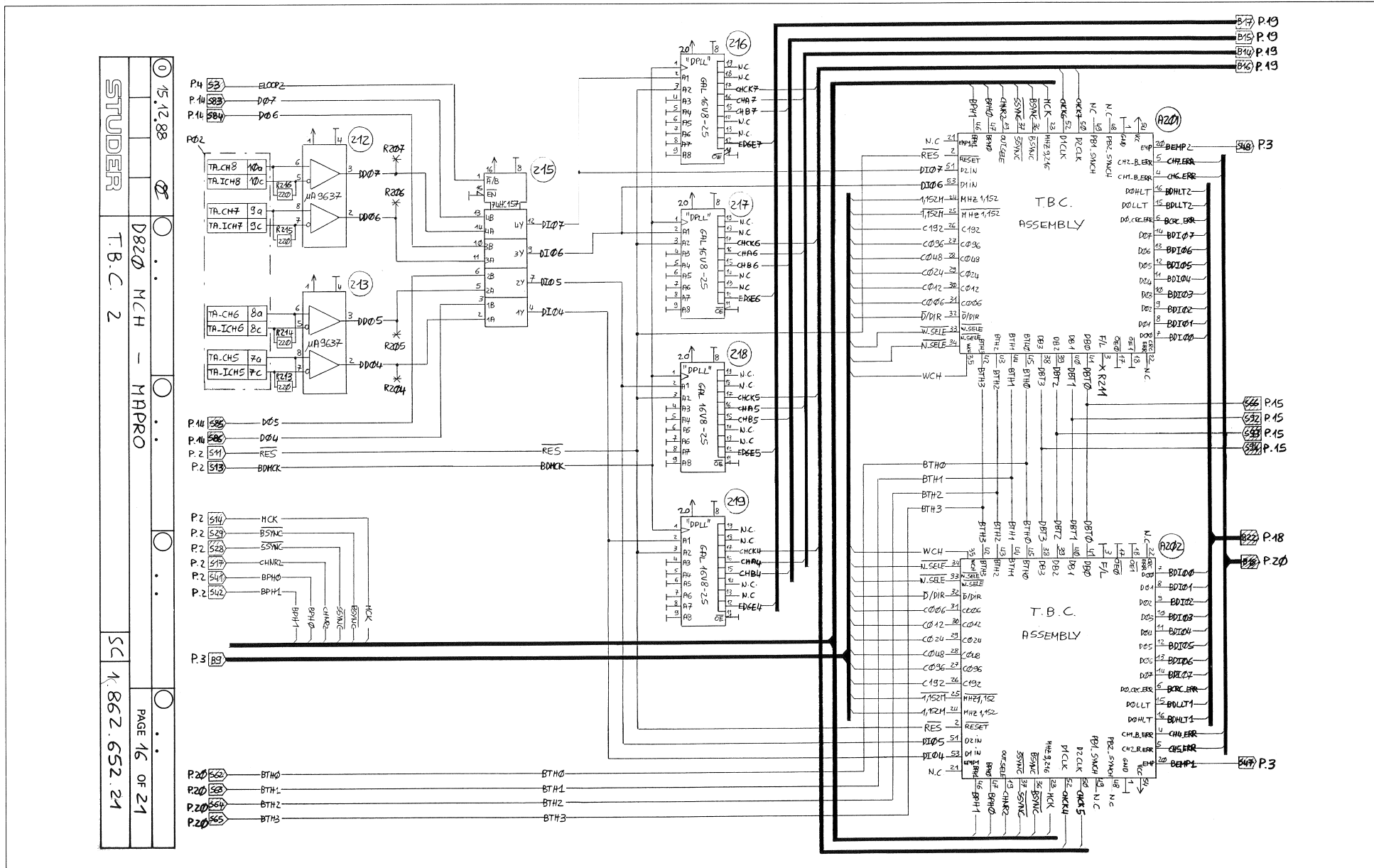
0 15 12 8
STUDER
 P820 MCH - HPRO
 D.S.P. - CH8
 SC 1.862.652.21
 PAGE 12 OF 21

MCH DATA PROCESSOR 1.862.652.21



MCH DATA PROCESSOR 1.862.652.21



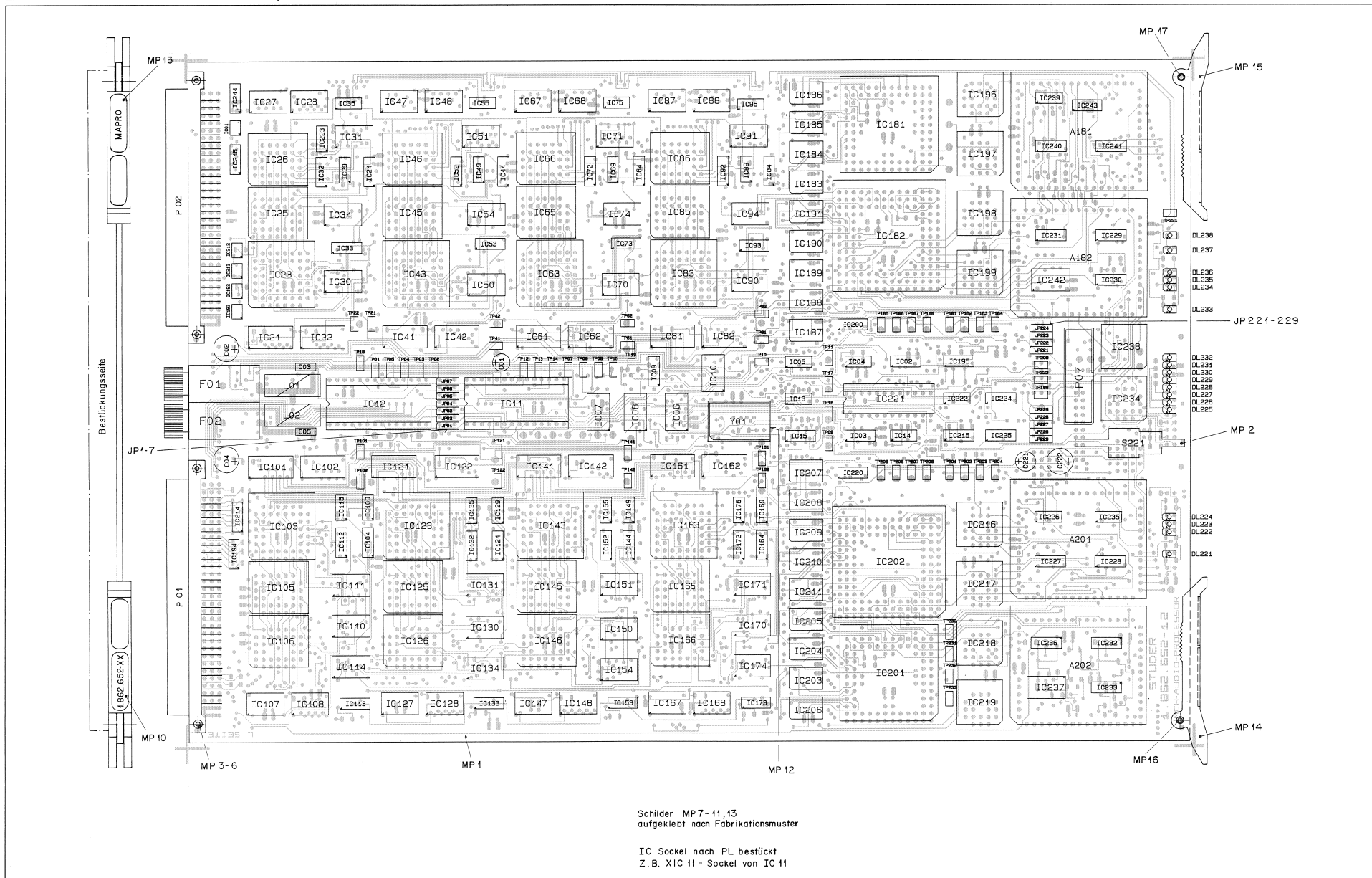


MCH DATA PROCESSOR 1.862.652.21

SIGNAL		BUS	
S1 "PROG" PAGE: 4,5,6,7,8,9,10,11,12,13	S47 "BEMP1" PAGE: 3,16	B1 PAGE: 4,8	
S2 "ELOOP1" PAGE: 4,15	S48 "BEMP2" PAGE: 13,16	B2 PAGE: 4,7	
S3 "ELOOP2" PAGE: 4,16	S49 "CLKIN" PAGE: 3,5,6,7,8,9,10,11,12	B3 PAGE: 4,6	
S4 "OUT1" PAGE: 4,12	S50 "WR21" PAGE: 3,5	B4 PAGE: 4,5	
S5 "OUT0" PAGE: 4,13,14	S51 "AIEMP" PAGE: 3,13	B5 PAGE: 4,12	
S6 "TFEN" PAGE: 4,13,14	S52 "BIEMP" PAGE: 3,14	B6 PAGE: 4,11	
S7 "ILDR" PAGE: 4,5,6,7,8,9,10,11,12	S53 "WR1T" PAGE: 3,5,6,7,8,9,10,11,12	B7 PAGE: 4,10	
S8 "RCK1" PAGE: 4,3	S54 "MEMP" PAGE: 3,5,6,7,8,9,10,11,12	B8 PAGE: 4,9	
S9 "RCK2" PAGE: 4,3	S55 "WRBT" PAGE: 3,5,6,7,8,9,10,11,12	B9 PAGE: 3,13,14,15,16	
S10 "ILLO" PAGE: 4,3	S56 "ENV" PAGE: 3,5,6,7,8,9,10,11,12	B10 PAGE: 3,11	
S11 "RES" PAGE: 4,2,3,5,6,7,8,9,10,11,12,15,16,17,18,19	S57 "LDAT" PAGE: 3,13,14	B11 PAGE: 3,4	
S12 "ADMCK" PAGE: 2,15,18	S58 "CHAN" PAGE: 13,20	B12 PAGE: 5,6,7,8,9,10,11,12	
S13 "BDMCK" PAGE: 2,16	S59 "CHBN" PAGE: 13,20	B13 PAGE: 4,5	
S14 "HCK" PAGE: 2,3,13,14,15,16,17,18	S60 "CHCN" PAGE: 13,20	B14 PAGE: 15,16,19	
S15 "BD" PAGE: 2,3,5,6,7,8,9,10,11,12	S61 "DCHEN" PAGE: 13,20	B15 PAGE: 15,16,19	
S16 "TF384" PAGE: 2,13,14	S62 "BTH0" PAGE: 15,16,20	B16 PAGE: 15,16,19	
S17 "CHNR1" PAGE: 2,3,13,15,16,17,19,20	S63 "BTH1" PAGE: 15,16,20	B17 PAGE: 15,16,13	
S18 "CHNR1" PAGE: 2,3,13,14,17,18,19	S64 "BTH2" PAGE: 15,16,20	B18 PAGE: 15,16,20	
S19 "CHNR0" PAGE: 2,13,14,17,18,19	S65 "BTH3" PAGE: 15,16,20	B19 PAGE: 5,6,7,8,13,17	
S20 "CH0" PAGE: 2,5	S66 "DBT0" PAGE: 15,16	B20 PAGE: 9,10,11,12,14,18	
S21 "CH1" PAGE: 2,6	S67 "BWERR" PAGE: 5,6,7,8,17,20	B21 PAGE: 15,17	
S22 "CH2" PAGE: 2,7	S68 "BWERR" PAGE: 9,10,11,12,18,20	B22 PAGE: 16,18	
S23 "CH3" PAGE: 2,8	S69 "BSPLICE" PAGE: 17,20		
S24 "CH4" PAGE: 2,9	S70 "BSPLICE" PAGE: 18,20		
S25 "CH5" PAGE: 2,10	S71 "BMUTR0" PAGE: 5,6,7,8,17,20		
S26 "CH6" PAGE: 2,11	S72 "BMUTR0" PAGE: 9,10,11,12,18,20		
S27 "CH7" PAGE: 2,12	S73 "MAR0" PAGE: 3,5,6,7,8,9,10,11,12		
S28 "SSYNC" PAGE: 2,15,16	S74 "RDET" PAGE: 5,6,7,8,9,10,11,12,17,18,20		
S29 "BSYNC" PAGE: 2,3,13,14,15,16,17,18	S75 "BEV.CAN" PAGE: 5,6,7,8,17		
S30 "WSYNC" PAGE: 2,13,14	S76 "BOL.CAN" PAGE: 5,6,7,8,17		
S31 "CH7" PAGE: 2,12	S77 "BEV.CAN" PAGE: 9,10,11,12,18		
S32 "CH6" PAGE: 2,11	S78 "BOL.CAN" PAGE: 9,10,11,12,18		
S33 "CH5" PAGE: 2,10	S79 "D03" PAGE: 13,15		
S34 "CH4" PAGE: 2,9	S80 "D02" PAGE: 13,15		
S35 "CH3" PAGE: 2,8	S81 "D01" PAGE: 13,15		
S36 "CH2" PAGE: 2,7	S82 "D00" PAGE: 13,15		
S37 "CH1" PAGE: 2,6	S83 "D07" PAGE: 14,16		
S38 "CH0" PAGE: 2,5	S84 "D06" PAGE: 14,16		
S39 "E/O" PAGE: 2,5,6,7,8,9,10,11,12	S85 "D05" PAGE: 14,16		
S40 "CTLP" PAGE: 2,17,18	S86 "D04" PAGE: 14,16		
S41 "BPH0" PAGE: 2,15,16	S87 "MLV0" PAGE: 17,18		
S42 "BPH1" PAGE: 2,15,16	S88 "HLV1" PAGE: 17,18		
S43 "BLAD0" PAGE: 2,13,14	S89 "HLV2" PAGE: 17,18		
S44 "BLAD1" PAGE: 2,13,14	S90 "PECSL" PAGE: 17,18		
S45 "ASMP1" PAGE: 3,15	S91 "D08B" PAGE: 13,14		
S46 "ASMP2" PAGE: 3,15	S92 "DBT1" PAGE: 15,16		
S49 "CHNR2" PAGE: 3,14,18	S93 "DBT2" PAGE: 15,16		
	S94 "DBT3" PAGE: 15,16		

0 15.12.88	DB20 MCH - MAPRO	PAGE 21 OF 21
STUDER	SIGNAL, BUS LISTE	SC 1.862.652.21

MCH DATA PROCESSOR 1.862.652.21, Components Side



Schilder MP 7-11,13
aufgeklebt nach Fabrikationsmuster

IC Sockel nach PL bestückt
Z.B. XIC 11 = Sockel von IC 11

MCH DATA PROCESSOR 1.862.652.21, Soldering Side



STUDER D820 MCH

MCH DATA PROCESSOR 1.862.652.21

IND.	POS.NO.	PART NO.	VALUE	SPECIFICATIONS / EQUIVALENT	MANUF.	IND.	POS.NO.	PART NO.	VALUE	SPECIFICATIONS / EQUIVALENT	MANUF.	IND.	POS.NO.	PART NO.	VALUE	SPECIFICATIONS / EQUIVALENT	MANUF.	IND.	POS.NO.	PART NO.	VALUE	SPECIFICATIONS / EQUIVALENT	MANUF.	
A...	181	1.862.687.00		TRC ASSEMBLY	ST	C...	230	59.60.1104	100 n	20%	GENERAL PURPOSE	ANY	IC...	105	50.62.1995	74 HC 595	ANY	IC...	236	50.62.1163	74 HC 163	ANY		
A...	182	1.862.687.00		TRC ASSEMBLY	ST	C...	234	59.60.1104	100 n	20%	GENERAL PURPOSE	ANY	IC...	106	50.63.1001	AT 28 HC 64 L-55	(SM 1.862.913.21)	AT	IC...	237	50.62.1698	74 HC 68B	ANY	
A...	201	1.862.687.00		TRC ASSEMBLY	ST	C...	239	59.60.1104	100 n	20%	GENERAL PURPOSE	ANY	IC...	107	50.61.9545	74 AC 245	ANY	IC...	240	50.63.3000	74 HC 25	ANY		
A...	202	1.862.687.00		TRC ASSEMBLY	ST	C...	236	59.60.1104	100 n	20%	GENERAL PURPOSE	ANY	IC...	108	50.62.5245	74 AC 245	ANY	IC...	239	50.62.1101	74 HC 10	ANY		
C...	1	59.22.6100	10 n	20%	20% GENERAL PURPOSE	ANY	C...	239	59.60.1104	100 n	20%	GENERAL PURPOSE	ANY	IC...	109	50.62.1098	74 HC 05	ANY	IC...	240	50.62.1423	74 HC 540	ANY	
C...	2	59.22.3102	1000 n	20%	20% GENERAL PURPOSE	ANY	C...	239	59.60.1104	100 n	20%	GENERAL PURPOSE	ANY	IC...	110	50.62.6440	AT 28 HC 64 L-55	(SM 1.862.914.21)	AT	IC...	241	50.62.1423	74 HC 423	ANY
C...	3	59.06.0083	63 n	20%	20% GENERAL PURPOSE	ANY	C...	239	59.60.1104	100 n	20%	GENERAL PURPOSE	ANY	IC...	111	50.62.1995	74 HC 374	ANY	IC...	242	50.62.1423	74 HC 540	ANY	
C...	4	59.22.3102	1000 n	20%	20% GENERAL PURPOSE	ANY	DL...	221	50.04.2121	TL082400	LED RED	TIFF	ANY	IC...	112	50.62.1995	74 HC 595	ANY	IC...	243	50.62.1423	74 HC 423	ANY	
C...	5	59.60.1104	100 n	20%	20% GENERAL PURPOSE	ANY	DL...	222	50.04.2132	TL082400	LED RED	TIFF	ANY	IC...	113	50.62.1995	74 HC 595	ANY	IC...	244	50.62.1597	74 HC 597	ANY	
C...	6	59.60.1104	100 n	20%	20% GENERAL PURPOSE	ANY	DL...	222	50.04.2132	TL082400	LED RED	TIFF	ANY	IC...	114	50.62.1374	74 HC 374	ANY	IC...	245	50.62.1597	74 HC 597	ANY	
C...	7	59.60.1104	100 n	20%	20% GENERAL PURPOSE	ANY	DL...	222	50.04.2132	TL082400	LED RED	TIFF	ANY	IC...	122	50.62.2852	74 ALS 652	ANY	J...	1	54.01.0021	JUMPER CONNECTOR	ANY	
C...	8	59.60.1104	100 n	20%	20% GENERAL PURPOSE	ANY	DL...	225	50.04.2121	TL082400	LED RED	TIFF	ANY	IC...	123	50.63.0000	TMS 320 C10 - 25	ANY	J...	3	54.01.0021	JUMPER CONNECTOR	ANY	
C...	9	59.60.1104	100 n	20%	20% GENERAL PURPOSE	ANY	DL...	225	50.04.2121	TL082400	LED RED	TIFF	ANY	IC...	124	50.62.1001	AT 28 HC 64 L-55	(SM 1.862.913.21)	AT	J...	5	54.01.0021	JUMPER CONNECTOR	ANY
C...	10	59.60.1104	100 n	20%	20% GENERAL PURPOSE	ANY	DL...	227	50.04.2121	TL082400	LED RED	TIFF	ANY	IC...	125	50.62.1001	AT 28 HC 64 L-55	(SM 1.862.914.21)	AT	J...	7	54.01.0021	JUMPER CONNECTOR	ANY
C...	11	59.60.1104	100 n	20%	20% GENERAL PURPOSE	ANY	DL...	229	50.04.2132	TL082400	LED RED	TIFF	ANY	IC...	126	50.62.5245	74 AC 245	ANY	J...	221	54.01.0021	JUMPER CONNECTOR	ANY	
C...	21	59.60.1104	100 n	20%	20% GENERAL PURPOSE	ANY	DL...	231	50.04.2121	TL082400	LED RED	TIFF	ANY	IC...	128	50.62.1001	74 HC 08	ANY	J...	222	54.01.0021	JUMPER CONNECTOR	ANY	
C...	22	59.60.1104	100 n	20%	20% GENERAL PURPOSE	ANY	DL...	231	50.04.2121	TL082400	LED RED	TIFF	ANY	IC...	128	50.62.1001	74 HC 08	ANY	J...	223	54.01.0021	JUMPER CONNECTOR	ANY	
C...	23	59.60.1104	100 n	20%	20% GENERAL PURPOSE	ANY	DL...	233	50.04.2121	TL082400	LED RED	TIFF	ANY	IC...	130	50.62.6094	74 HC 244	ANY	J...	224	54.01.0021	JUMPER CONNECTOR	ANY	
C...	24	59.60.1104	100 n	20%	20% GENERAL PURPOSE	ANY	DL...	234	50.04.2121	TL082400	LED RED	TIFF	ANY	IC...	131	50.62.1374	74 HC 374	ANY	J...	225	54.01.0021	JUMPER CONNECTOR	ANY	
C...	25	59.60.1104	100 n	20%	20% GENERAL PURPOSE	ANY	DL...	235	50.04.2121	TL082400	LED RED	TIFF	ANY	IC...	132	50.62.1995	74 HC 595	ANY	J...	226	54.01.0021	JUMPER CONNECTOR	ANY	
C...	26	59.60.1104	100 n	20%	20% GENERAL PURPOSE	ANY	DL...	236	50.04.2121	TL082400	LED RED	TIFF	ANY	IC...	133	50.62.1995	74 HC 595	ANY	J...	227	54.01.0021	JUMPER CONNECTOR	ANY	
C...	27	59.60.1104	100 n	20%	20% GENERAL PURPOSE	ANY	DL...	237	50.04.2132	TL082400	LED RED	TIFF	ANY	IC...	134	50.62.1374	74 HC 374	ANY	J...	228	54.01.0021	JUMPER CONNECTOR	ANY	
C...	41	59.60.1104	100 n	20%	20% GENERAL PURPOSE	ANY	DL...	238	50.04.2121	TL082400	LED RED	TIFF	ANY	IC...	141	50.62.2852	74 ALS 652	ANY	J...	229	54.01.0021	JUMPER CONNECTOR	ANY	
C...	42	59.60.1104	100 n	20%	20% GENERAL PURPOSE	ANY	(00)	F...	1	51.01.0122	SLOW BLOW/F3,15A	ANY	IC...	142	50.62.2852	74 ALS 652	ANY	JF...	1	54.01.0020	SIL PIN *** QTY 3 ***	ANY		
C...	43	59.60.1104	100 n	20%	20% GENERAL PURPOSE	ANY	(01)	F...	1	51.01.0122	MINIFUSE 7A	ANY	IC...	143	50.63.0000	TMS 320 C10 - 25	ANY	JF...	1	54.01.0020	SIL PIN *** QTY 3 ***	ANY		
C...	44	59.60.1104	100 n	20%	20% GENERAL PURPOSE	ANY	(01)	F...	1	51.01.0122	SLOW BLOW/F3,15A	ANY	IC...	144	50.62.1374	74 F 139	ANY	JF...	3	54.01.0020	SIL PIN *** QTY 3 ***	ANY		
C...	45	59.60.1104	100 n	20%	20% GENERAL PURPOSE	ANY	(01)	F...	2	51.09.0133	MINIFUSE 7A	ANY	IC...	145	50.63.1001	AT 28 HC 64 L-55	(SM 1.862.914.21)	AT	JF...	5	54.01.0020	SIL PIN *** QTY 3 ***	ANY	
C...	46	59.60.1104	100 n	20%	20% GENERAL PURPOSE	ANY	IC...	1	50.62.0002	uA 9637 7AD	ANY	IC...	147	50.62.5245	74 AC 244	ANY	JF...	5	54.01.0020	SIL PIN *** QTY 3 ***	ANY			
C...	47	59.60.1104	100 n	20%	20% GENERAL PURPOSE	ANY	IC...	2	50.62.7169	74 F 169	ANY	IC...	148	50.62.5245	74 AC 245	ANY	JF...	6	54.01.0020	SIL PIN *** QTY 3 ***	ANY			
C...	48	59.60.1104	100 n	20%	20% GENERAL PURPOSE	ANY	IC...	3	50.62.7169	74 F 169	ANY	IC...	149	50.62.1008	74 HC 08	ANY	JF...	7	54.01.0020	SIL PIN *** QTY 3 ***	ANY			
C...	61	59.60.1104	100 n	20%	20% GENERAL PURPOSE	ANY	IC...	4	50.62.6094	74 AC 244	ANY	IC...	150	50.62.6094	74 AC 244	ANY	JF...	7	54.01.0020	SIL PIN *** QTY 3 ***	ANY			
C...	63	59.60.1104	100 n	20%	20% GENERAL PURPOSE	ANY	IC...	5	50.62.7074	74 F 74	ANY	IC...	151	50.62.7074	74 F 74	ANY	JF...	222	54.01.0020	SIL PIN *** QTY 3 ***	ANY			

S T U D E R (01) 90/09/18 RA MCH - AUDIO - PROCESSOR PL 1.862.652.21 PAGE 1 S T U D E R (01) 90/09/18 RA MCH - AUDIO - PROCESSOR PL 1.862.652.21 PAGE 4 S T U D E R (01) 90/09/18 RA MCH - AUDIO - PROCESSOR PL 1.862.652.21 PAGE 7 S T U D E R (01) 90/09/18 RA MCH - AUDIO - PROCESSOR PL 1.862.652.21 PAGE 10

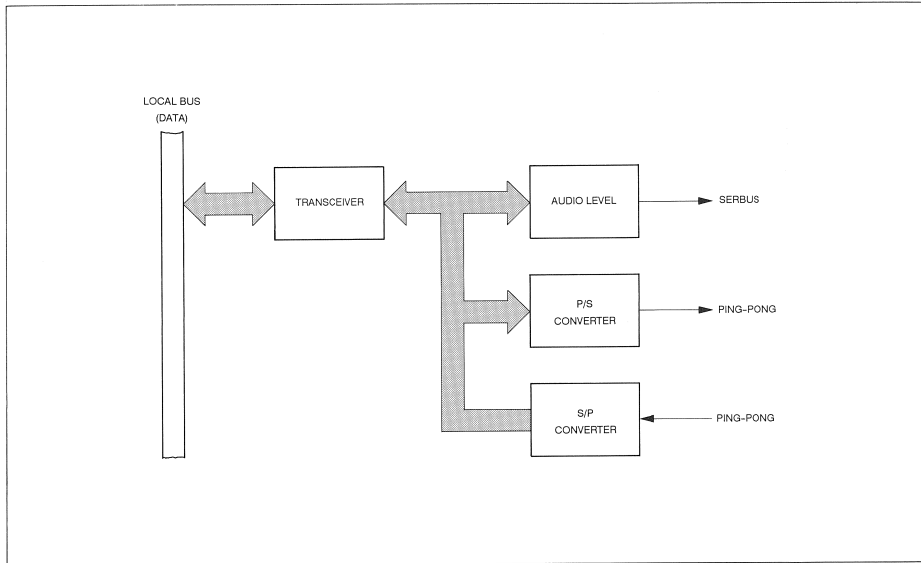
IND.	POS.NO.	PART NO.	VALUE	SPECIFICATIONS / EQUIVALENT	MANUF.	IND.	POS.NO.	PART NO.	VALUE	SPECIFICATIONS / EQUIVALENT	MANUF.	IND.	POS.NO.	PART NO.	VALUE	SPECIFICATIONS / EQUIVALENT	MANUF.	IND.	POS.NO.	PART NO.	VALUE	SPECIFICATIONS / EQUIVALENT	MANUF.
C...	64	59.60.1104	100 n	20%	20% GENERAL PURPOSE	ANY	IC...	6	50.62.7244	74 F 244	ANY	IC...	152	50.62.1995	74 HC 595	ANY	JF...	223	54.01.0020	SIL PIN *** QTY 3 ***	ANY		
C...	65	59.60.1104	100 n	20%	20% GENERAL PURPOSE	ANY	IC...	7	50.62.7244	74 F 244	ANY	IC...	153	50.62.1995	74 HC 595	ANY	JF...	224	54.01.0020	SIL PIN *** QTY 3 ***	ANY		
C...	66	59.60.1104	100 n	20%	20% GENERAL PURPOSE	ANY	IC...	154	50.62.1374	74 F 374	ANY	IC...	154	50.62.1374	74 F 374	ANY	JF...	225	54.01.0020	SIL PIN *** QTY 3 ***	ANY		
C...	67	59.60.1104	100 n	20%	20% GENERAL PURPOSE	ANY	IC...	159	50.62.1138	74 HC 138	ANY	IC...	155	50.62.1008	74 HC 08	ANY	JF...	226	54.01.0020	SIL PIN *** QTY 3 ***	ANY		
C...	68	59.60.1104	100 n	20%	20% GENERAL PURPOSE	ANY	IC...	161	50.62.1995	74 HC 595	ANY	IC...	161	50.62.1995	74 HC 595	ANY	JF...	227	54.01.0020	SIL PIN *** QTY 3 ***	ANY		
C...	69	59.60.1104	100 n	20%	20% GENERAL PURPOSE	ANY	IC...	111	50.60.0010	PORTWASTES	SE	IC...	162	50.62.2852	74 ALS 652	ANY	JF...	228	54.01.0020	SIL PIN *** QTY 3 ***	ANY		
C...	81	59.60.1104	100 n	20%	20% GENERAL PURPOSE	ANY	IC...	133	50.62.7074	74 F 74	ANY	IC...	163	50.63.0000	TMS 320 C10 - 25	ANY	JF...	229	54.01.0020	SIL PIN *** QTY 3 ***	ANY		
C...	82	59.60.1104	100 n	20%	20% GENERAL PURPOSE	ANY	IC...	133	50.62.7074	74 F 74	ANY	IC...	164	50.62.7139	74 F 139	ANY	L...	1	62.03.0030	110 uH 3 A FILTER	ANY		
C...	83	59.60.1104	100 n	20%	20% GENERAL PURPOSE	ANY	IC...	134	50.62.1995	74 HC 595	ANY	IC...	165	50.63.1001	AT 28 HC 64 L-55	(SM 1.862.914.21)	AT	L...	2	62.03.0030	110 uH 3 A FILTER	ANY	
C...	84	59.60.1104	100 n	20%	20% GENERAL PURPOSE	ANY	IC...	135	50.62.1995	74 HC 595	ANY	IC...	167	50.62.5245	74 AC 245	ANY	MP...	1	1.862.652.11	FCB	ANY		
C...	85	59.60.1104	100 n	20%	20% GENERAL PURPOSE	ANY	IC...	22	50.62.2852	74 ALS 652	ANY	IC...	168	50.62.5245	74 AC 245	ANY	MP...	1	1.862.652.11	FCB	ANY		
C...	86	59.60.1104	100 n	20%	20% GENERAL PURPOSE	ANY	IC...	22	50.62.2852	74 ALS 652	ANY	IC...	169	50.63.0000	TMS 320 C10 - 25	ANY	MP...	1	1.862.652.11	FCB	ANY		
C...	87	59.60.1104	100 n	20%	20% GENERAL PURPOSE	ANY	IC...	24	50.62.7139	74 F 139	ANY	IC...	170	50.62.8244	74 AC 244	ANY	MP...	3	28.99.0119	REVIEWING NUT, 22,940,15410	GR		
C...	88	59.60.1104	100 n	20%	20% GENERAL PURPOSE	ANY	IC...	24	50.62.7139	74 F 139	ANY	IC...	171	50.62.1374	74 F 374	ANY	MP...	3	28.99.0119	REVIEWING NUT, 22,940,15410	GR		
C...	89	59.60.1104	100 n	20%	20% GENERAL PURPOSE	ANY	IC...	26	50.63.1001	AT 28 HC 64 L-55	(SM 1.862.914.21)	AT	IC...	172	50.62.1995	74 HC 595	ANY	MP...	5	28.99.0119	REVIEWING NUT, 22,940,15410	GR	
C...	102	59.60.1104	100 n	20%	20% GENERAL PURPOSE	ANY	IC...	28	50.62.5245	74 AC 245	ANY	IC...	173	50.62.1995	74 HC 595	ANY	MP...	7	28.99.0119	REVIEWING NUT, 22,940,15410	GR		
C...	104	59.60.1104	100 n	20%	20% GENERAL PURPOSE	ANY	IC...	28	50.62.5245	74 AC 245													

STUDER D820 MCH

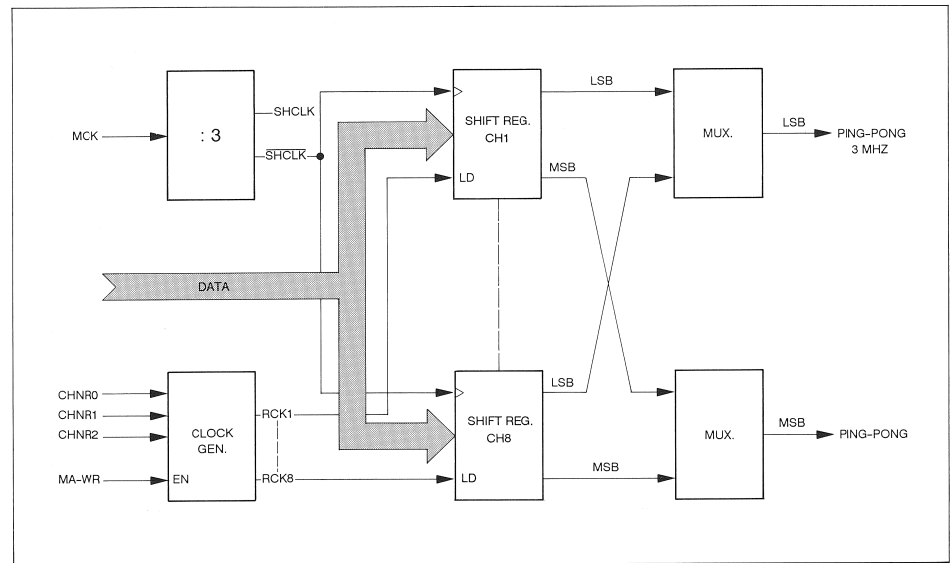
MCH DATA PROCESSOR 1.862.652.21

IND.	POS.NO.	PART NO.	VALUE	SPECIFICATIONS / EQUIVALENT	MANUF.	IND.	POS.NO.	PART NO.	VALUE	SPECIFICATIONS / EQUIVALENT	MANUF.	
R...	81	57.60.1102	1 k	20X	ANY	R...	1232	57.60.1471	470 E	20X	ANY	
R...	82	57.60.1102	1 k	20X	ANY	R...	1233	57.60.1471	470 E	20X	ANY	
R...	83	57.60.1102	1 k	20X	ANY	R...	1234	57.60.1471	470 E	20X	ANY	
R...	84	57.60.1102	1 k	20X	ANY	R...	1235	57.60.1471	470 E	20X	ANY	
R...	85	57.60.1332	3.3 k	20X	ANY	R...	1236	57.60.1471	470 E	20X	ANY	
R...	86	57.60.1332	3.3 k	20X	ANY	R...	1237	57.60.1471	470 E	20X	ANY	
R...	87	57.60.1332	3.3 k	20X	ANY	R...	1238	57.60.1471	470 E	20X	ANY	
R...	101	57.60.1102	1 k	20X	ANY	R...	1239	57.60.1332	3.3 k	20X	ANY	
R...	102	57.60.1102	1 k	20X	ANY	S...	221	55.15.0026	TOGGLE-SWITCH, ON-OF		ANY	
R...	103	57.60.1102	1 k	20X	ANY	TP...	1	54.02.0020	TESTPOINT**40T959**		ANY	
R...	104	57.60.1102	1 k	20X	ANY	(00)	XF...	1	53.03.0118	5420 nm	FUSE HOLDER	ANY
R...	105	57.60.1332	3.3 k	20X	ANY	(01)	XF...	1	53.03.0118	5420 nm	FUSE HOLDER	ANY
R...	106	57.60.1332	3.3 k	20X	ANY	(02)	XF...	2	53.03.0118	5420 nm	FUSE HOLDER	ANY
R...	107	57.60.1332	3.3 k	20X	ANY	(01)	XF...	2			RETABLET	ANY
R...	121	57.60.1102	1 k	20X	ANY	XIC...	11	53.03.0173		DIL-SOCKET, 28-PIN	ANY	
R...	122	57.60.1102	1 k	20X	ANY	XIC...	12	53.03.0179		DIL-SOCKET, 28-PIN	ANY	
R...	123	57.60.1102	1 k	20X	ANY	XIC...	23	53.03.2244		DIL-SOCKET, 44-PIN	ANY	
R...	124	57.60.1102	1 k	20X	ANY	XIC...	25	53.03.2232		FCC-SOCKET, 32-PIN	ANY	
R...	125	57.60.1332	3.3 k	20X	ANY	XIC...	26	53.03.2232		FCC-SOCKET, 32-PIN	ANY	
R...	126	57.60.1332	3.3 k	20X	ANY	XIC...	43	53.03.2244		FCC-SOCKET, 44-PIN	ANY	
R...	127	57.60.1332	3.3 k	20X	ANY	XIC...	45	53.03.2232		FCC-SOCKET, 32-PIN	ANY	
R...	141	57.60.1102	1 k	20X	ANY	XIC...	46	53.03.2232		FCC-SOCKET, 32-PIN	ANY	
R...	142	57.60.1102	1 k	20X	ANY	XIC...	63	53.03.2244		FCC-SOCKET, 44-PIN	ANY	
R...	143	57.60.1102	1 k	20X	ANY	XIC...	65	53.03.2232		FCC-SOCKET, 32-PIN	ANY	
R...	144	57.60.1102	1 k	20X	ANY	XIC...	66	53.03.2232		FCC-SOCKET, 32-PIN	ANY	
R...	145	57.60.1332	3.3 k	20X	ANY	XIC...	83	53.03.2244		FCC-SOCKET, 44-PIN	ANY	
R...	146	57.60.1332	3.3 k	20X	ANY	XIC...	85	53.03.2232		FCC-SOCKET, 32-PIN	ANY	
R...	147	57.60.1332	3.3 k	20X	ANY	XIC...	86	53.03.2232		FCC-SOCKET, 32-PIN	ANY	
R...	148	57.60.1332	3.3 k	20X	ANY	XIC...	88	53.03.2244		FCC-SOCKET, 44-PIN	ANY	
R...	149	57.60.1332	3.3 k	20X	ANY	XIC...	89	53.03.2232		FCC-SOCKET, 32-PIN	ANY	
R...	153	57.60.1102	1 k	20X	ANY	XIC...	105	53.03.2232		FCC-SOCKET, 32-PIN	ANY	
R...	154	57.60.1102	1 k	20X	ANY	XIC...	123	53.03.2244		FCC-SOCKET, 44-PIN	ANY	
R...	155	57.60.1332	3.3 k	20X	ANY	XIC...	123	53.03.2232		FCC-SOCKET, 32-PIN	ANY	
R...	156	57.60.1332	3.3 k	20X	ANY	XIC...	123	53.03.2244		FCC-SOCKET, 44-PIN	ANY	
R...	157	57.60.1332	3.3 k	20X	ANY	XIC...	123	53.03.2232		FCC-SOCKET, 32-PIN	ANY	
R...	181	57.60.1102	1 k	20X	ANY	XIC...	123	53.03.2244		FCC-SOCKET, 44-PIN	ANY	
R...	182	57.60.1102	1 k	20X	ANY	XIC...	123	53.03.2232		FCC-SOCKET, 32-PIN	ANY	
S T U D E R (01) 90/09/18 RA MCH - AUDIO - PROCESSOR PL 1.862.652.21 PAGE 13						S T U D E R (01) 90/09/18 RA MCH - AUDIO - PROCESSOR PL 1.862.652.21 PAGE 16						
R...	183	57.60.1332	3.3 k	20X	ANY	XIC...	126	53.03.2232		FCC-SOCKET, 32-PIN	ANY	
R...	184	57.60.1332	3.3 k	20X	ANY	XIC...	143	53.03.2244		FCC-SOCKET, 44-PIN	ANY	
R...	185	57.60.1332	3.3 k	20X	ANY	XIC...	145	53.03.2232		FCC-SOCKET, 32-PIN	ANY	
R...	186	57.60.1332	3.3 k	20X	ANY	XIC...	146	53.03.2232		FCC-SOCKET, 32-PIN	ANY	
R...	187	57.60.1332	3.3 k	20X	ANY	XIC...	149	53.03.2244		FCC-SOCKET, 44-PIN	ANY	
R...	188	57.60.1332	3.3 k	20X	ANY	XIC...	165	53.03.2232		FCC-SOCKET, 32-PIN	ANY	
R...	189	57.60.1332	3.3 k	20X	ANY	XIC...	166	53.03.2232		FCC-SOCKET, 32-PIN	ANY	
R...	190	57.60.1332	3.3 k	20X	ANY	XIC...	181	53.03.2000		PSA-SOCKET, 89-PIN	ANY	
R...	191	57.60.1332	3.3 k	20X	ANY	XIC...	182	53.03.2232		FCC-SOCKET, 32-PIN	ANY	
R...	192	57.60.1102	1 k	20X	ANY	XIC...	196	53.03.2220		FCC-SOCKET, 20-PIN	ANY	
R...	193	57.60.1102	1 k	20X	ANY	XIC...	197	53.03.2220		FCC-SOCKET, 20-PIN	ANY	
R...	194	57.60.1221	220 E	5X	ANY	XIC...	198	53.03.2220		FCC-SOCKET, 20-PIN	ANY	
R...	195	57.60.1221	220 E	5X	ANY	XIC...	199	53.03.2220		FCC-SOCKET, 20-PIN	ANY	
R...	196	57.60.1221	220 E	5X	ANY	XIC...	201	53.03.2000		PSA-SOCKET, 89-PIN	ANY	
R...	197	57.60.1102	1 k	20X	ANY	XIC...	202	53.03.2001		FCC-SOCKET, 188-PIN	ANY	
R...	202	57.60.1102	1 k	20X	ANY	XIC...	216	53.03.2220		FCC-SOCKET, 20-PIN	ANY	
R...	203	57.60.1332	3.3 k	20X	ANY	XIC...	217	53.03.2220		FCC-SOCKET, 20-PIN	ANY	
R...	204	57.60.1332	3.3 k	20X	ANY	XIC...	218	53.03.2220		FCC-SOCKET, 20-PIN	ANY	
R...	205	57.60.1332	3.3 k	20X	ANY	XIC...	219	53.03.2220		FCC-SOCKET, 20-PIN	ANY	
R...	206	57.60.1332	3.3 k	20X	ANY	XIC...	221	53.03.0182		DIL-SOCKET, 24-PIN, MLDDED	ANY	
R...	207	57.60.1332	3.3 k	20X	ANY	XIC...	234	53.03.2220		FCC-SOCKET, 20-PIN	ANY	
R...	208	57.60.1332	3.3 k	20X	ANY	XIC...	238	53.03.2220		FCC-SOCKET, 20-PIN	ANY	
R...	209	57.60.1332	3.3 k	20X	ANY	XIC...	240	53.03.0218		SMALL LINE CRT, 216	ANY	
R...	210	57.60.1332	3.3 k	20X	ANY	X...	1	09.01.1808		Y-OSC, 27 MHz	ANY	
R...	211	57.60.1102	1 k	20X	ANY							
R...	212	57.60.1102	1 k	20X	ANY							
R...	213	57.60.1221	220 E	5X	ANY							
R...	214	57.60.1221	220 E	5X	ANY							
R...	215	57.60.1221	220 E	5X	ANY							
R...	216	57.60.1221	220 E	5X	ANY							
R...	222	57.60.1102	1 k	20X	ANY							
R...	223	57.60.1102	1 k	20X	ANY							
R...	224	57.60.1332	3.3 k	20X	ANY							
R...	225	57.60.1102	1 k	20X	ANY							
R...	226	57.60.1102	1 k	20X	ANY							
R...	227	57.60.1102	1 k	20X	ANY							
R...	228	57.60.1223	22 k	20X	ANY							
S T U D E R (01) 90/09/18 RA MCH - AUDIO - PROCESSOR PL 1.862.652.21 PAGE 14						S T U D E R (01) 90/09/18 RA MCH - AUDIO - PROCESSOR PL 1.862.652.21 PAGE 17						
R...	229	57.60.1102	1 k	20X	ANY	REMARKS: SERIEVERSION						
R...	230	57.60.1104	100 k	20X	ANY	21: SW-Inhalt von IC 25-45:65:85:105:145:165 + SW-NR.1.862.913.21						
R...	231	57.60.1102	1 k	20X	ANY	SW-Inhalt von IC 26-46:66:86:106:146:166 + SW-NR.1.862.914.21						
R...	232	57.60.1104	100 k	20X	ANY	Anwendungst						
R...	233	57.60.1102	1 k	20X	ANY	01: SICHERUNG ERSETZ DURCH "MINIFUSE"						
R...	234	57.60.1104	100 k	20X	ANY	MANUFACTURERS:						
R...	235	57.60.1102	1 k	20X	ANY	S1 = BRUHER S2 = SONY AT = ATXKL T1 = TEXAS INSTRUMENTS						
R...	236	57.60.1104	100 k	20X	ANY	ABBREVIATIONS:						
R...	237	57.60.1102	1 k	20X	ANY	C26 = CUBANIL / FILM = FILM TYPE / XF = CLAMP FOR FUSES /						
R...	238	57.60.1222	2.2 k	20X	ANY	XIC = IC SOCKET						
R...	239	57.60.1222	2.2 k	20X	ANY							
R...	240	57.60.1222	2.2 k	20X	ANY							
R...	241	57.60.1222	2.2 k	20X	ANY							
R...	242	57.60.1104	100 k	20X	ANY							
R...	243	57.60.1102	1 k	20X	ANY							
R...	244	57.60.1104	100 k	20X	ANY							
R...	245	57.60.1102	1 k	20X	ANY							
R...	246	57.60.1102	1 k	20X	ANY							
R...	247	57.60.1222	2.2 k	20X	ANY							
R...	248	57.60.1222	2.2 k	20X	ANY							
R...	249	57.60.1222	2.2 k	20X	ANY							
R...	250	57.60.1222	2.2 k	20X	ANY							
R...	251	57.60.1332	3.3 k	20X	ANY							
R...	252	57.60.1332	3.3 k	20X	ANY							
R...	253	57.60.1332	3.3 k	20X	ANY							
R...	254	57.60.1332	3.3 k	20X	ANY							
R...	1231	57.60.1471	470 E	20X	ANY							
R...	1232	57.60.1471	470 E	20X	ANY							
R...	1233	57.60.1471	470 E	20X	ANY							
R...	1234	57.60.1471	470 E	20X	ANY							
R...	1235	57.60.1471	470 E	20X	ANY							
R...	1236	57.60.1471	470 E	20X	ANY							
R...	1237	57.60.1471	470 E	20X	ANY							
R...	1238	57.60.1471	470 E	20X	ANY							
R...	1239	57.60.1471	470 E	20X	ANY							
R...	1231</											

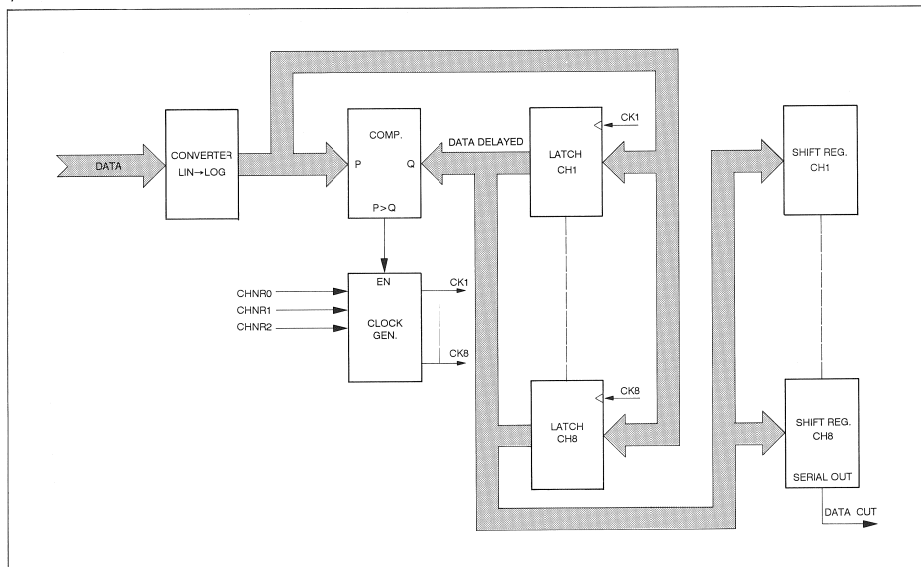
BLOCKDIAGRAM I/O BOARD



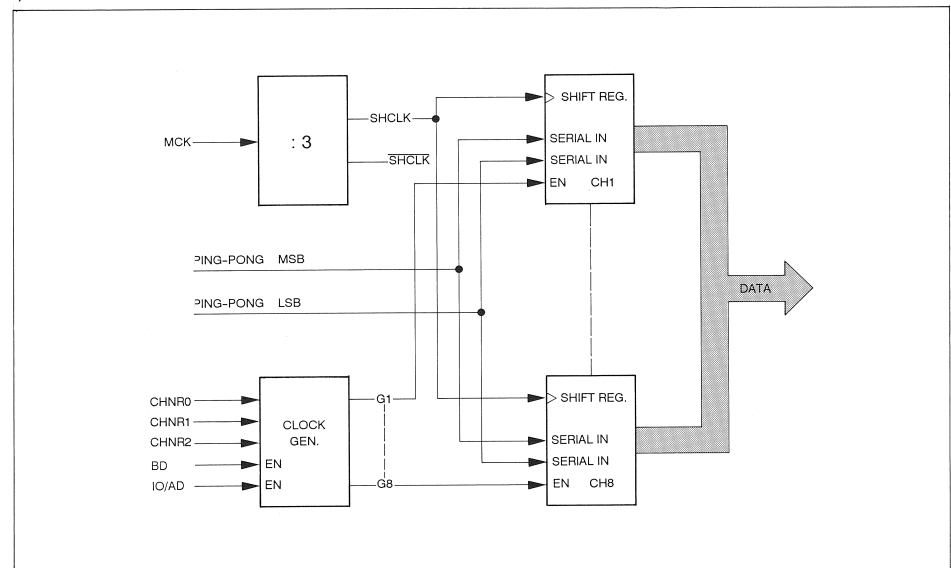
I/O BOARD: LOCAL BUS TO PING-PONG CONVERSION



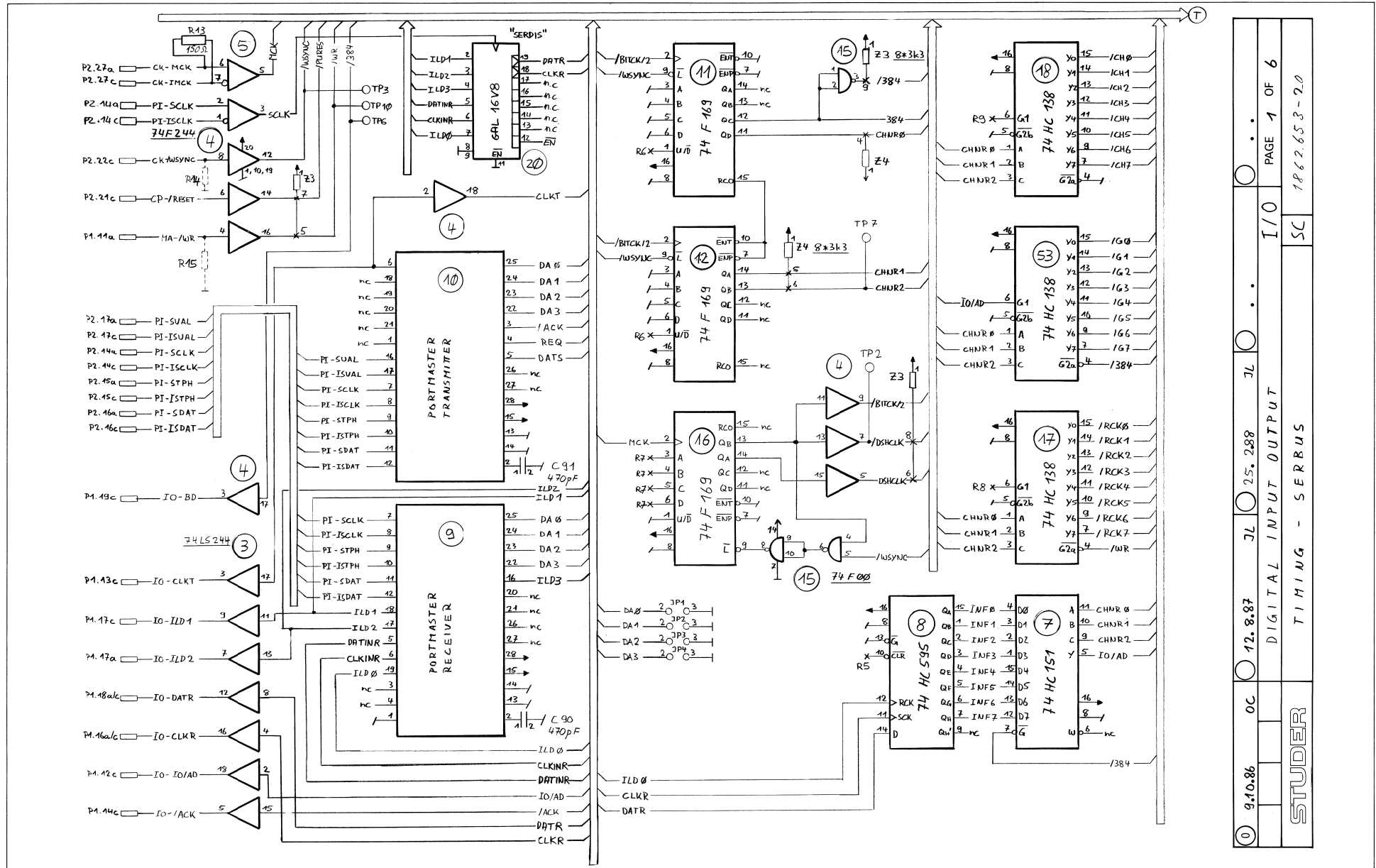
I/O BOARD : LEVEL DETECTION



I/O BOARD: PING-PONG TO LOCAL BUS CONVERSION

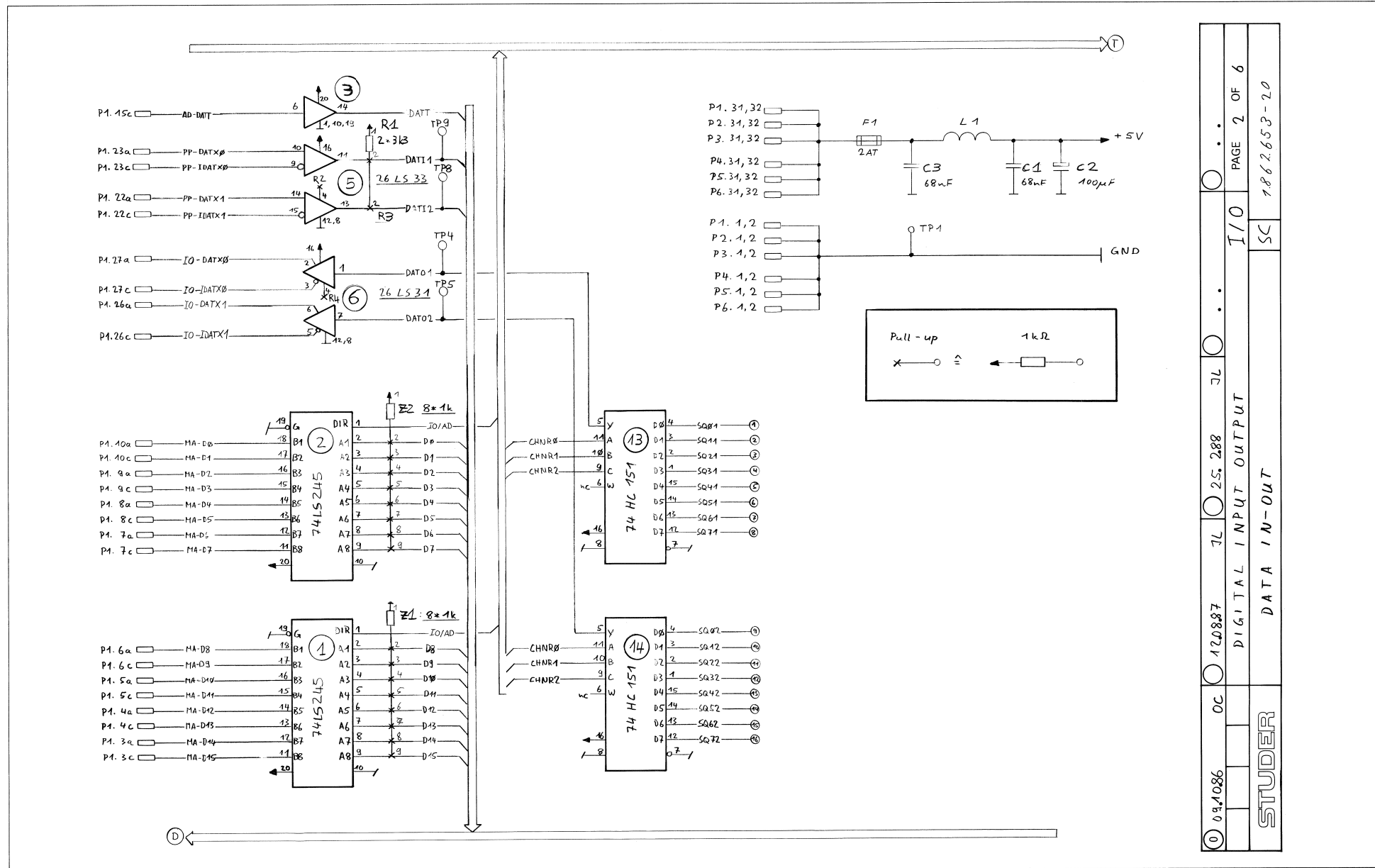


INPUT/OUTPUT BOARD 1.862.653.20



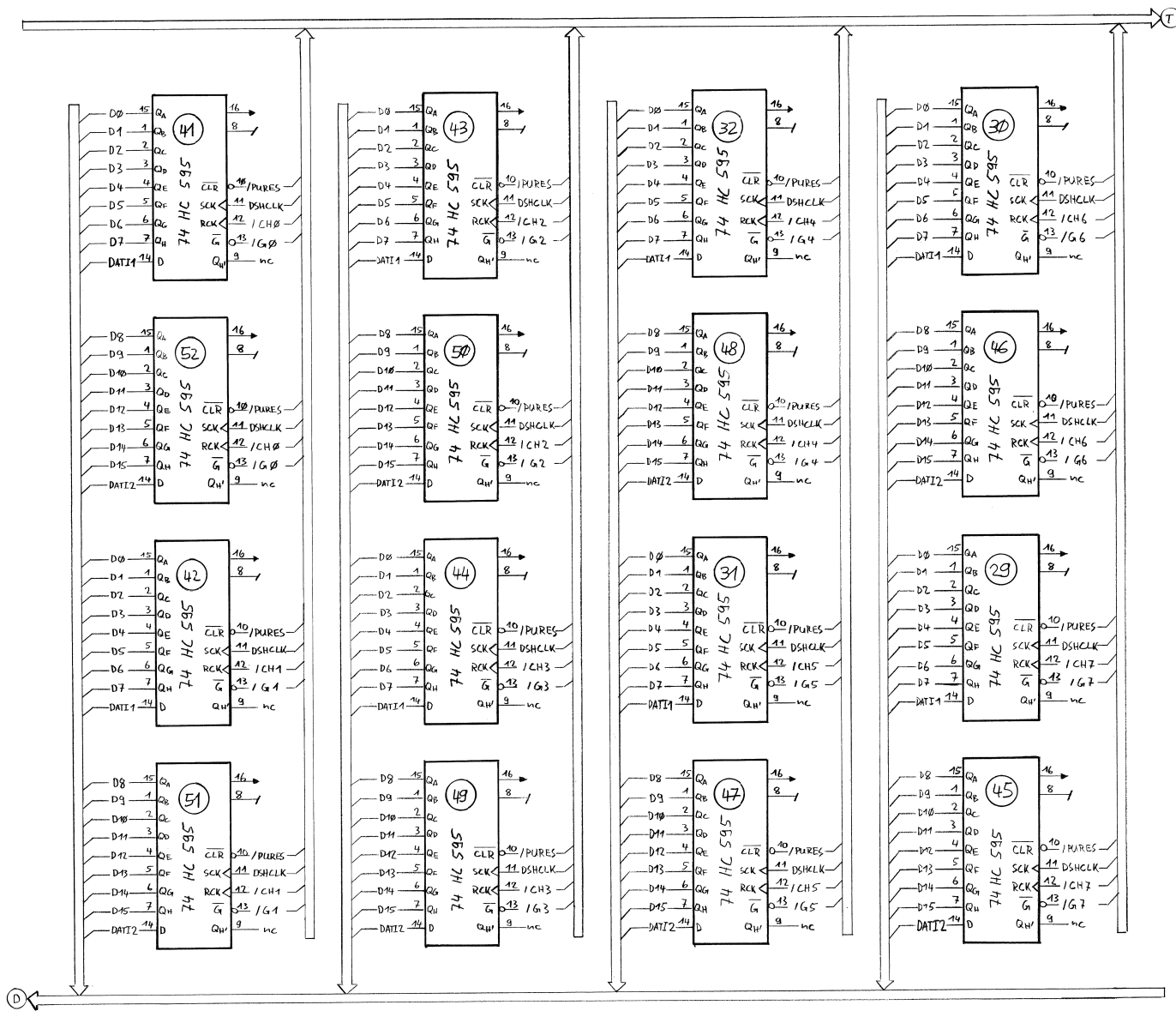
OC	12.8.87	JL	25.288	JL	I/O	PAGE 1 OF 6
OC	12.8.87	JL	25.288	JL	DIGITAL INPUT OUTPUT	1.862.653-2.0
OC	12.8.87	JL	25.288	JL	TIMING - SERDIS	
OC	12.8.87	JL	25.288	JL	STUDER	

INPUT/OUTPUT BOARD 1.862.653.20



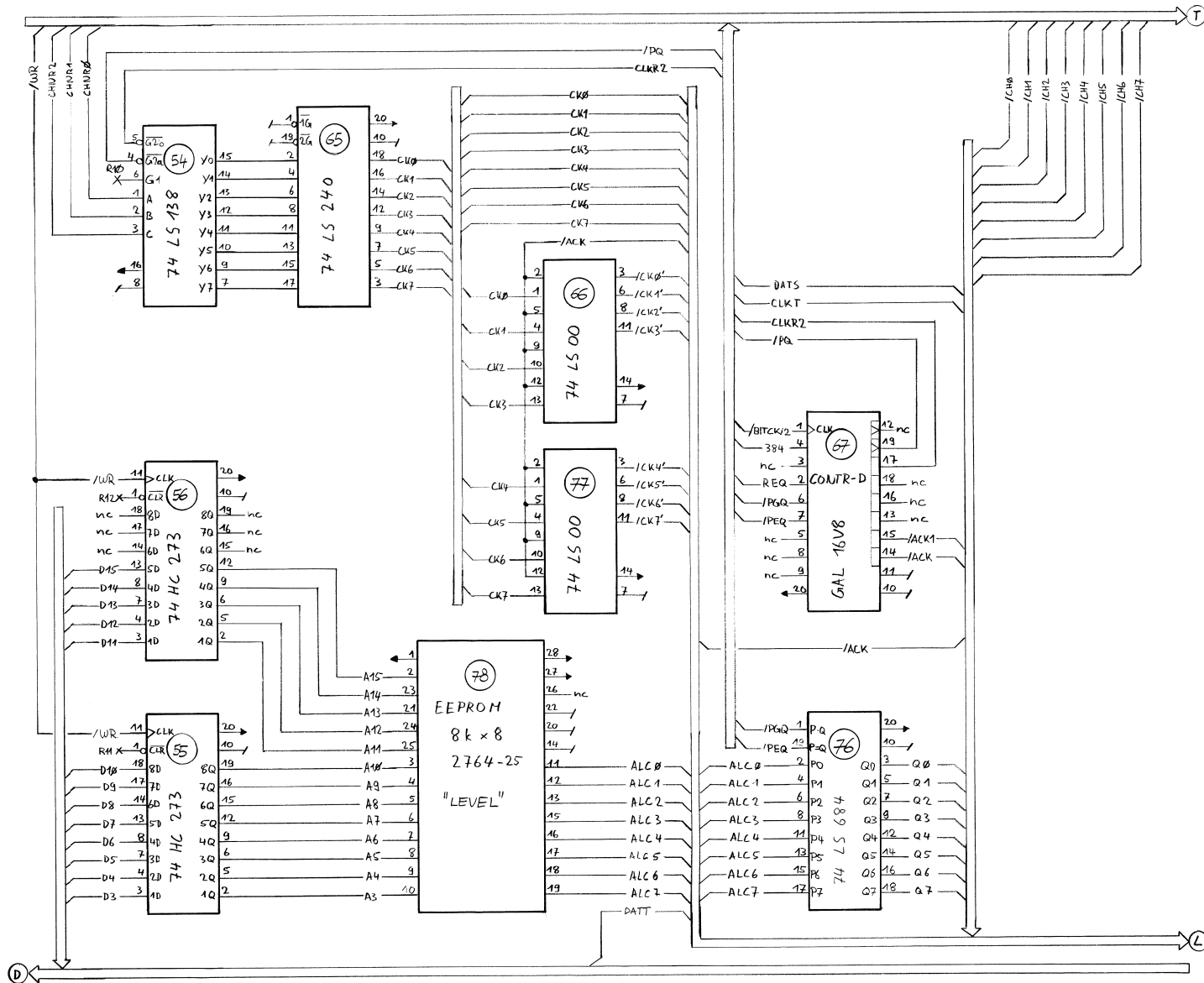
091086	OC	120887	7L	25, 288	7L	I/O	...
DIGITAL INPUT OUTPUT							PAGE 2 OF 6
DATA IN-OUT							1862.653-20
STUDER							

INPUT/OUTPUT BOARD 1.862.653.20



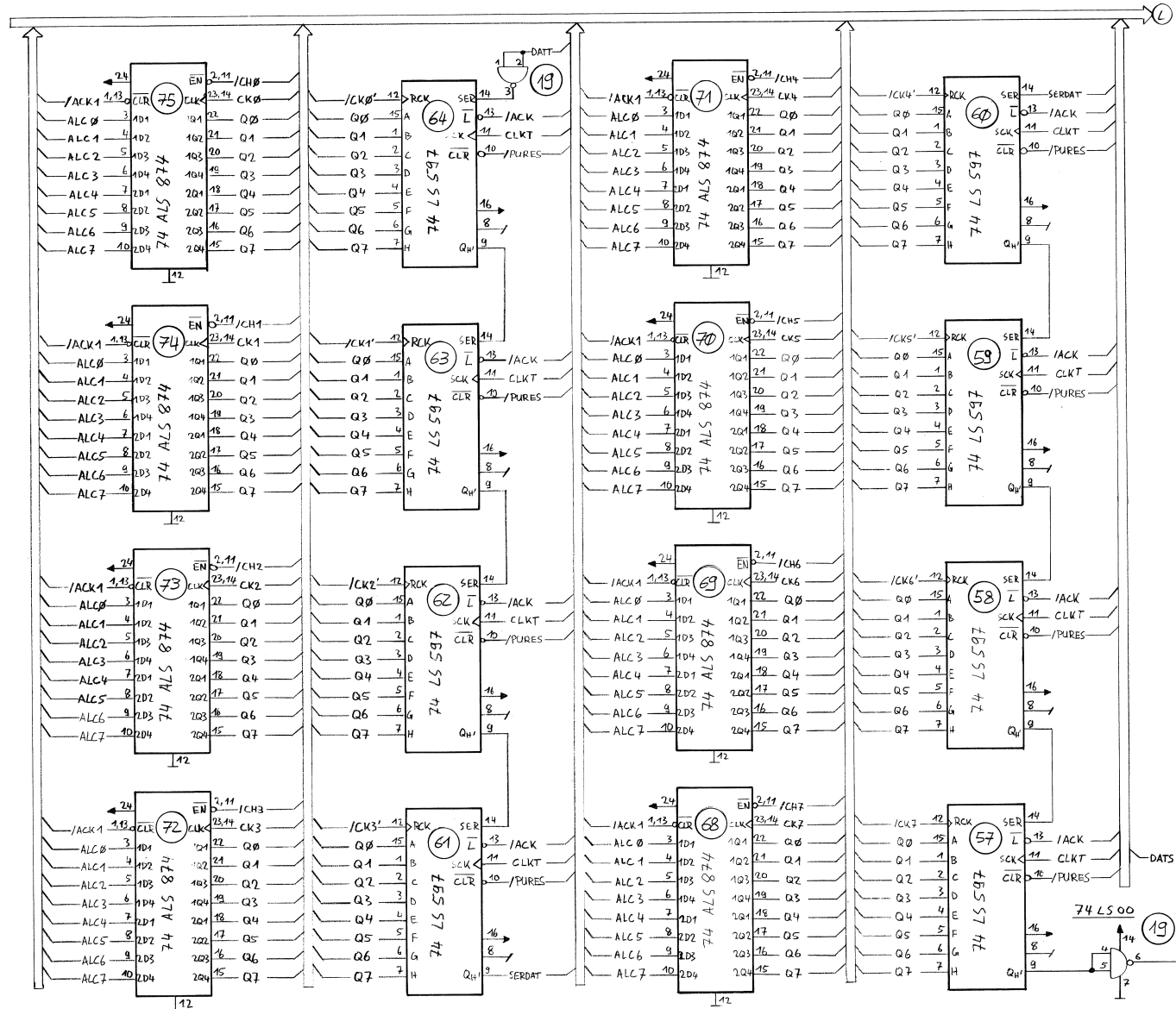
0	094086	OC	120887	7L	25.288	7L	...	I/O	PAGE 4 OF 6	
								SC	1.862.653-20	
								SIP CONVERSION		
								STUDER		

INPUT/OUTPUT BOARD 1.862.653.20



094086	0C	120887	JL	25.288	JL	I/O	PAGE 5 OF 6
STUDER							DIGITAL INPUT-OUTPUT
LEVEL CONTROL							SC 1.862.653-20

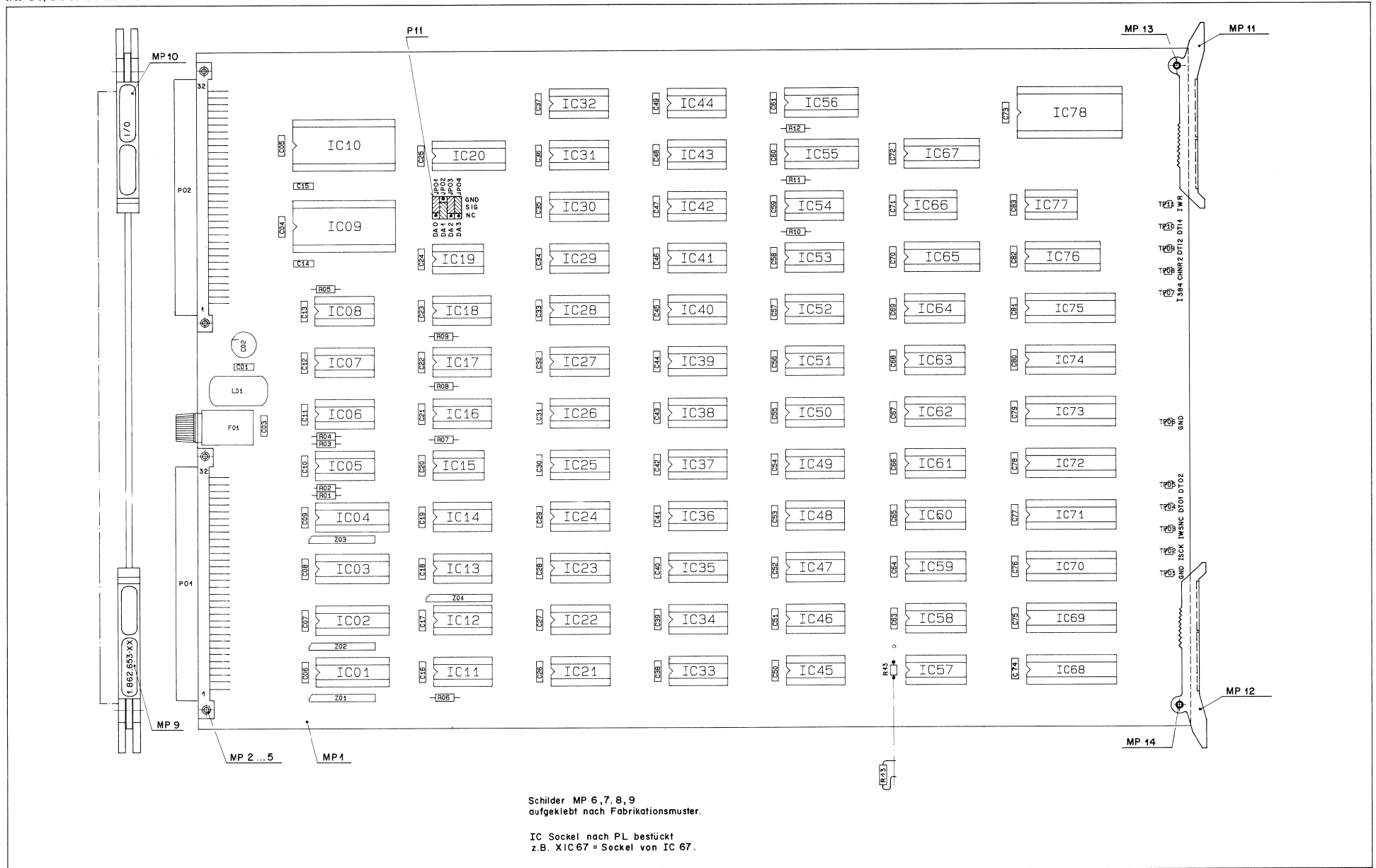
INPUT/OUTPUT BOARD 1.862.653.20



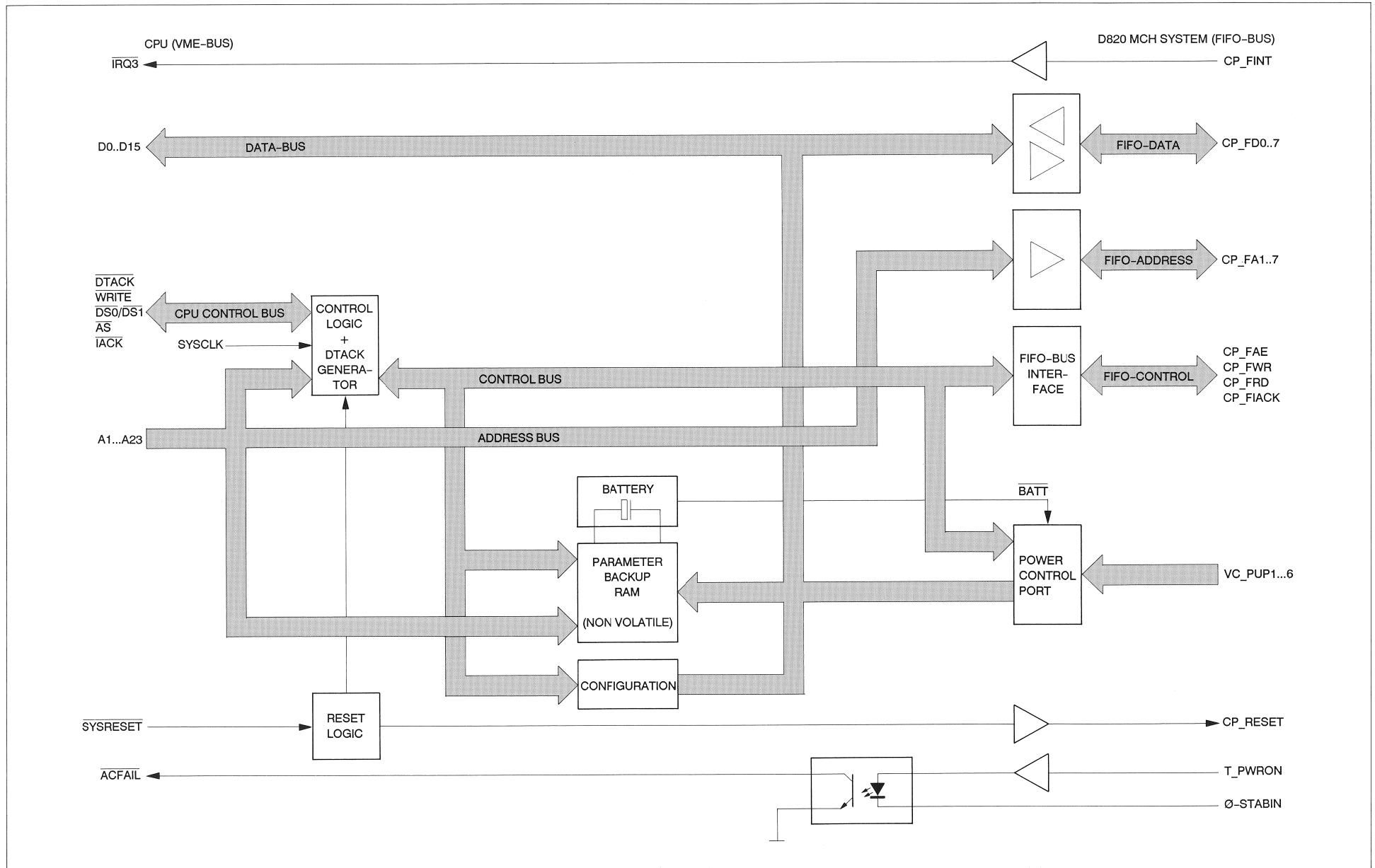
0 0 1086	OC	7L	25.288	JL	I/O	PAGE 6 OF 6
DIGITAL INPUT-OUTPUT					SC	1862653-20
LEVEL PIS CONVERSION					STUDER	

STUDER D820 MCH

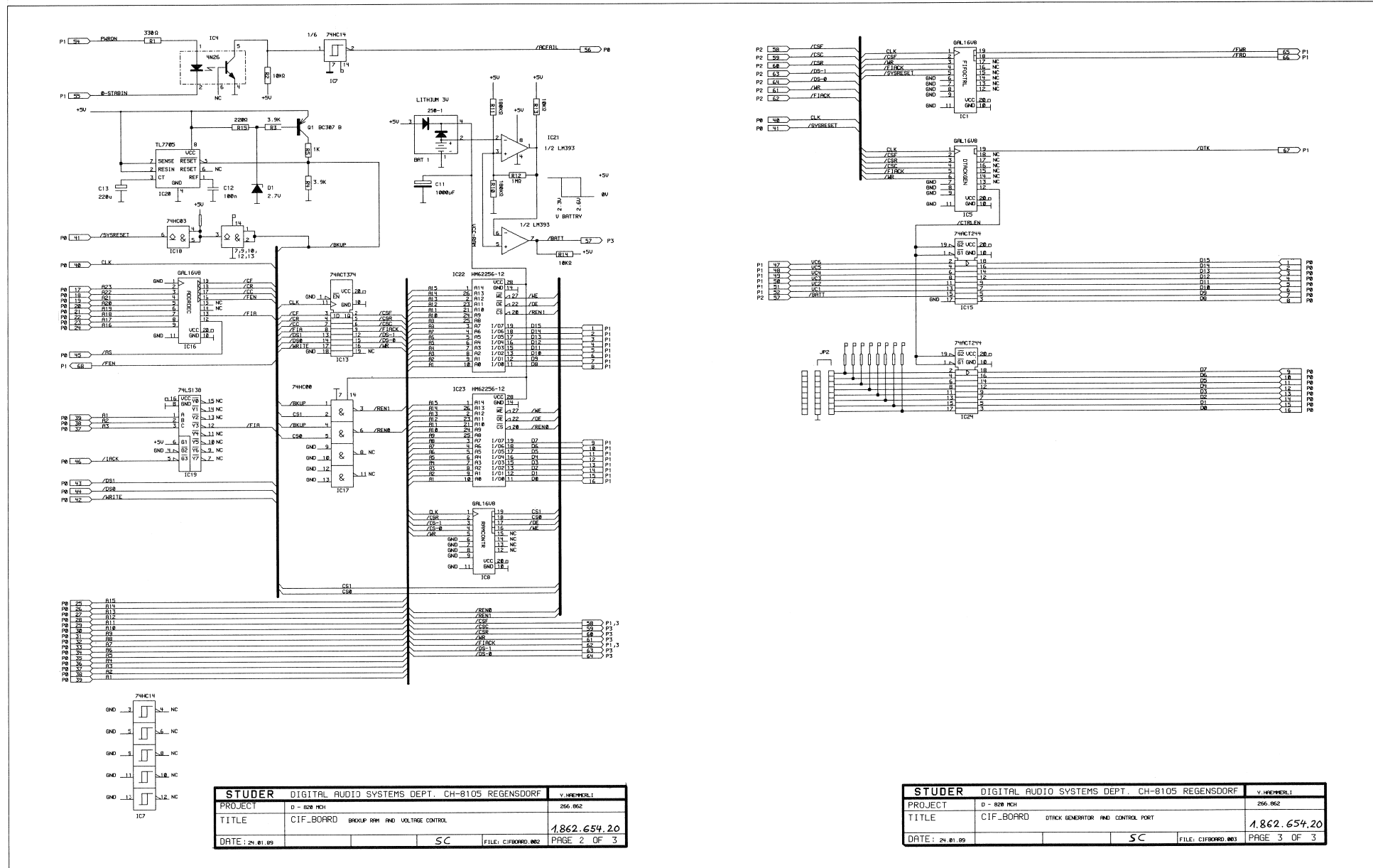
INPUT/OUTPUT BOARD 1.862.653.20



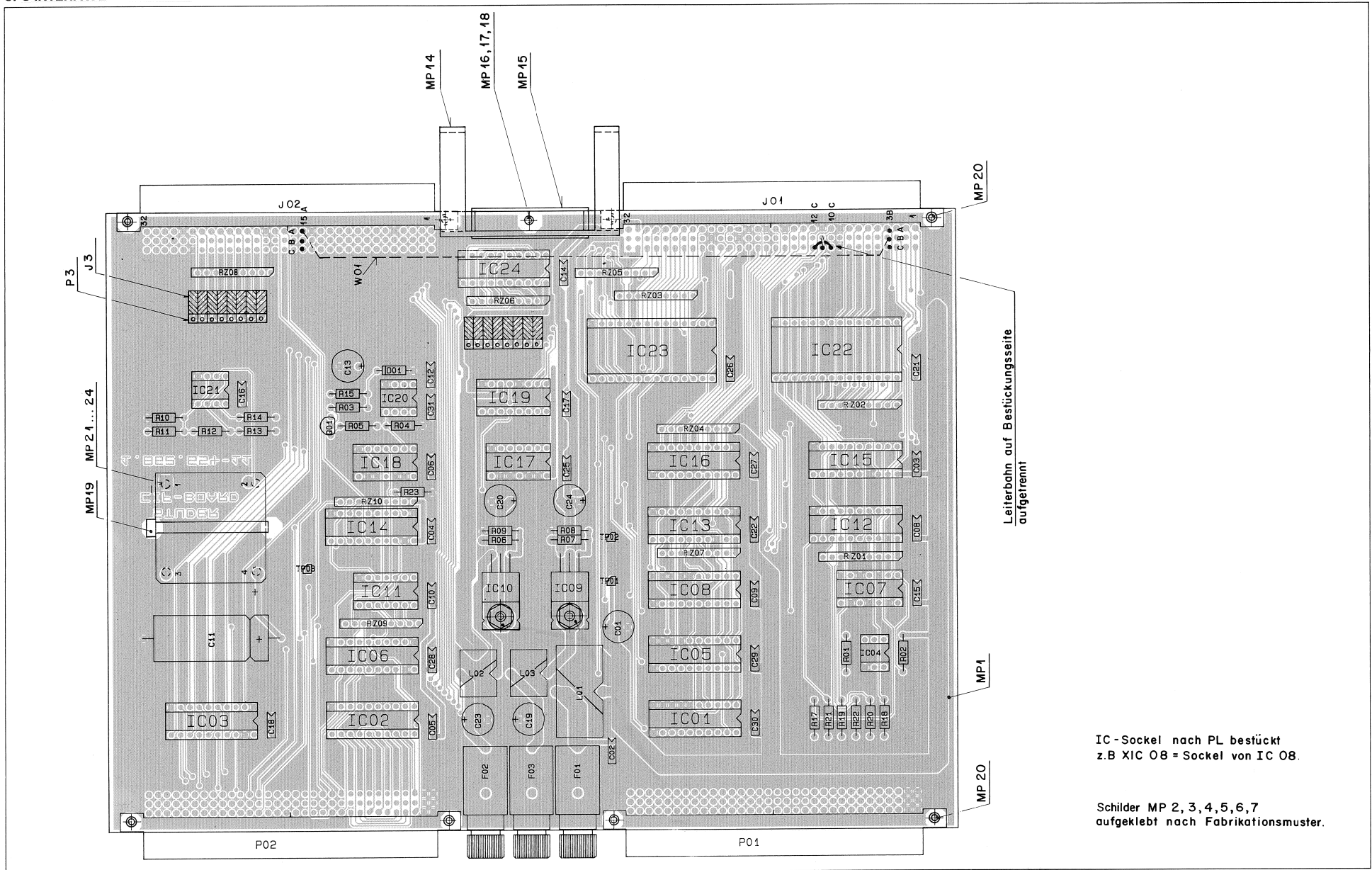
BLOCK DIAGRAM CPU INTERFACE



CPU INTERFACE 1.862.654.20



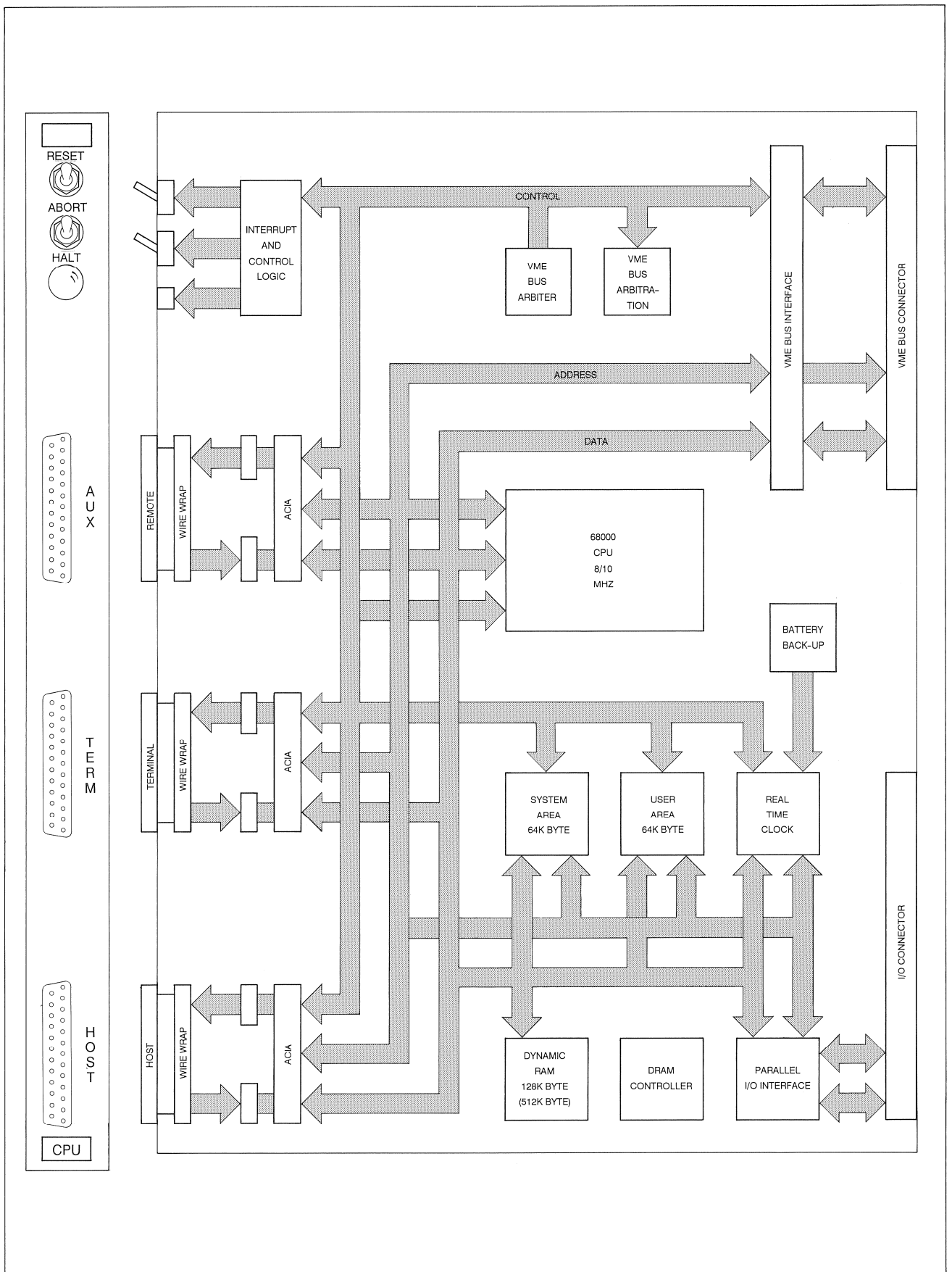
CPU INTERFACE 1.862.654.20



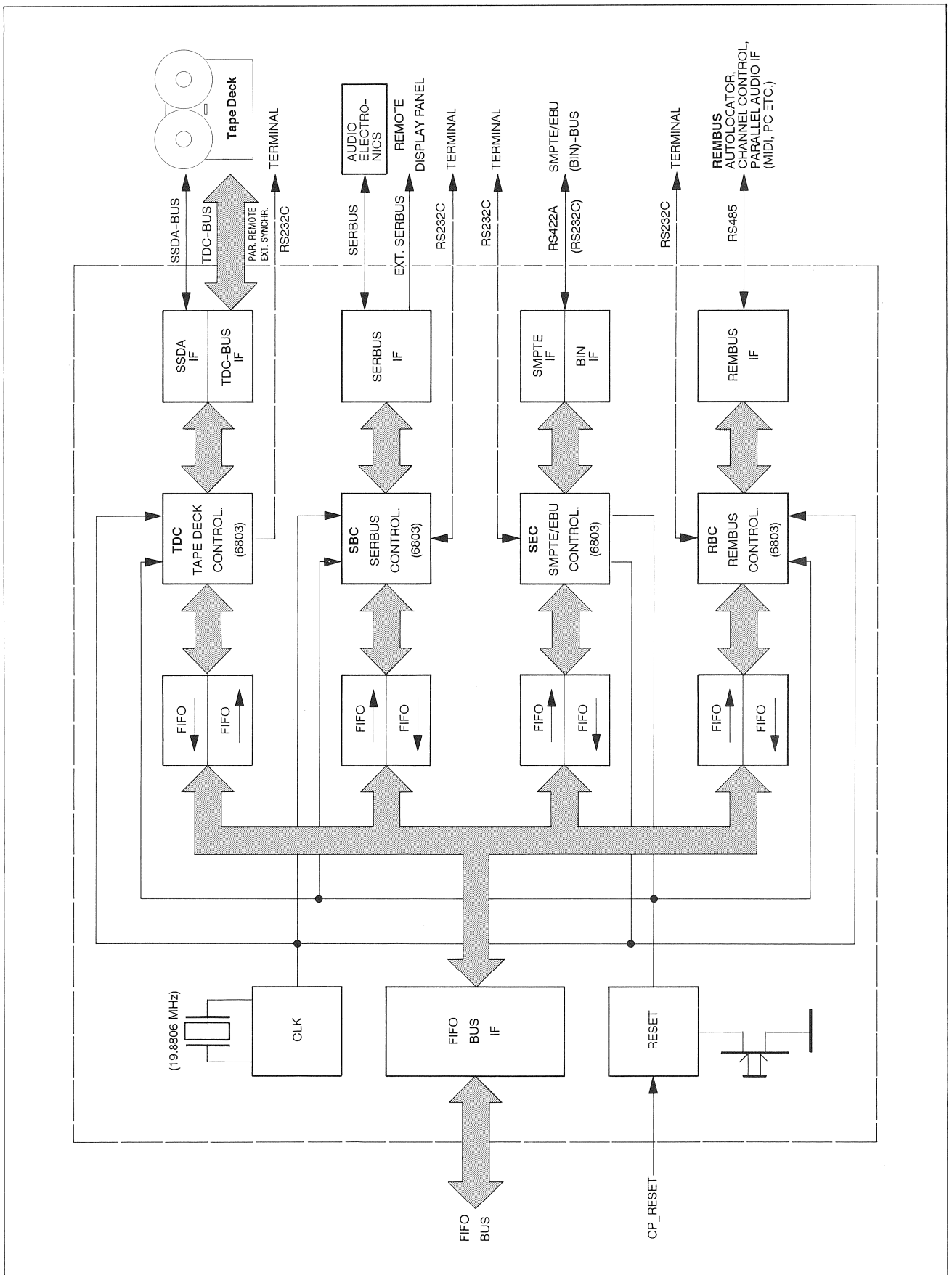
IC-Sockel nach PL bestückt
z.B XIC 08 = Sockel von IC 08.

Schilder MP 2, 3, 4, 5, 6, 7
aufgeklebt nach Fabrikationsmuster.

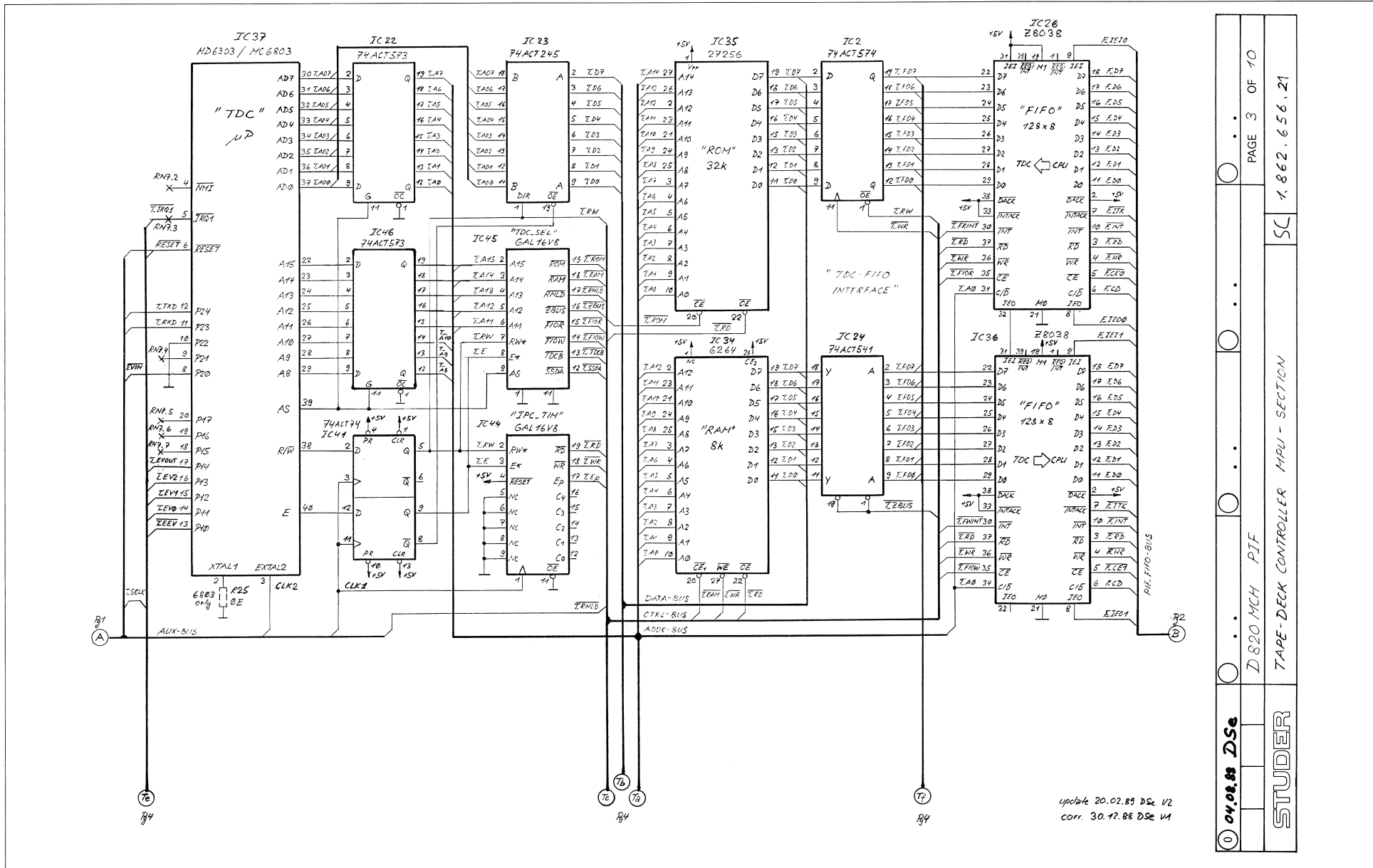
BLOCK DIAGRAM CPU 1.862.655.22



BLOCK DIAGRAM PERIPHERAL INTERFACE



PERIPHERAL INTERFACE 1.862.656.21



PAGE 3 OF 10

SC 1.862.656.21

D820 MCH PIF

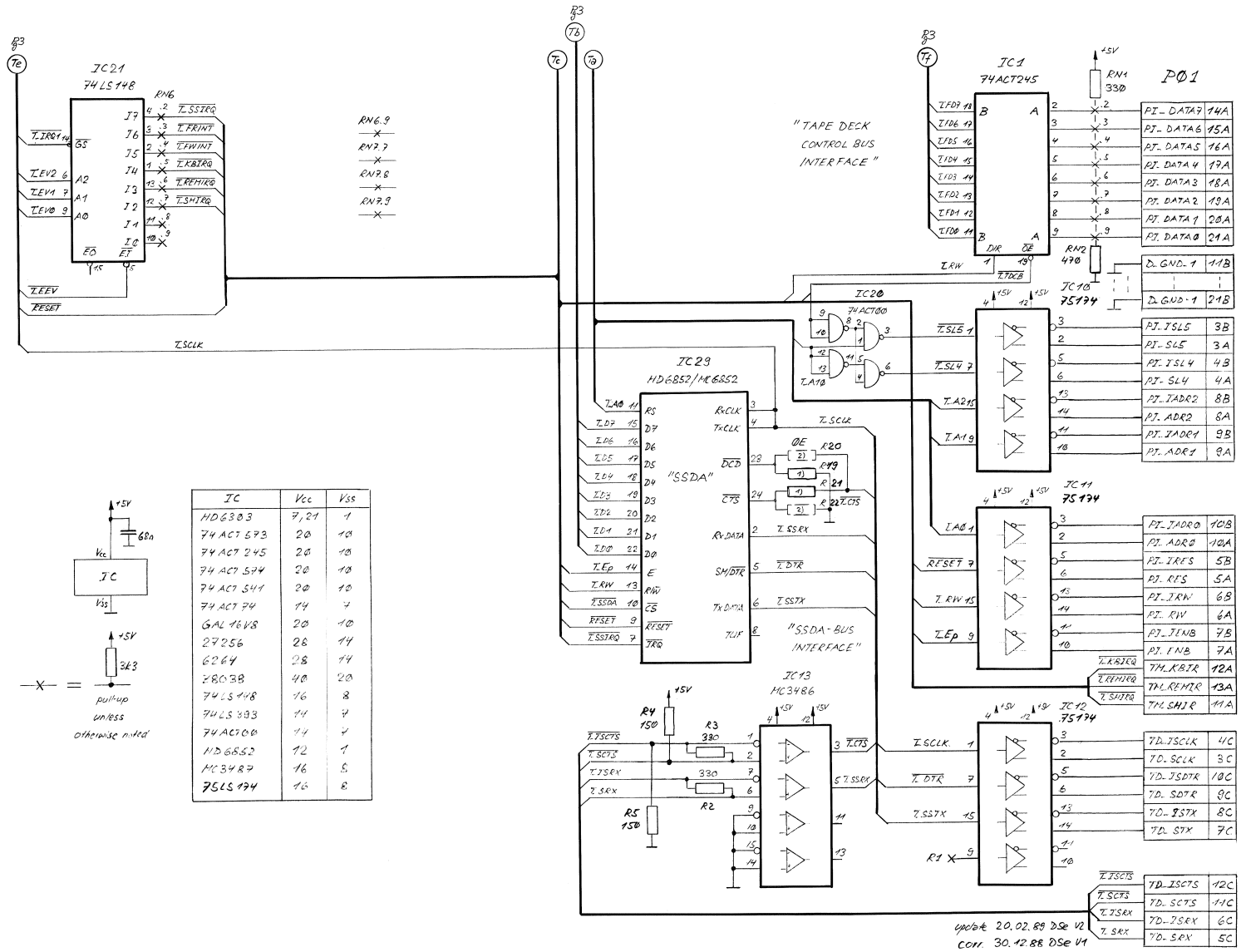
TAPE-DECK CONTROLLER MPU - SECTION

04.08.88 D5e

STUDER

update 20.02.89 D5e V2
corr. 30.12.88 D5e V1

PERIPHERAL INTERFACE 1.862.656.21



04088 DSE

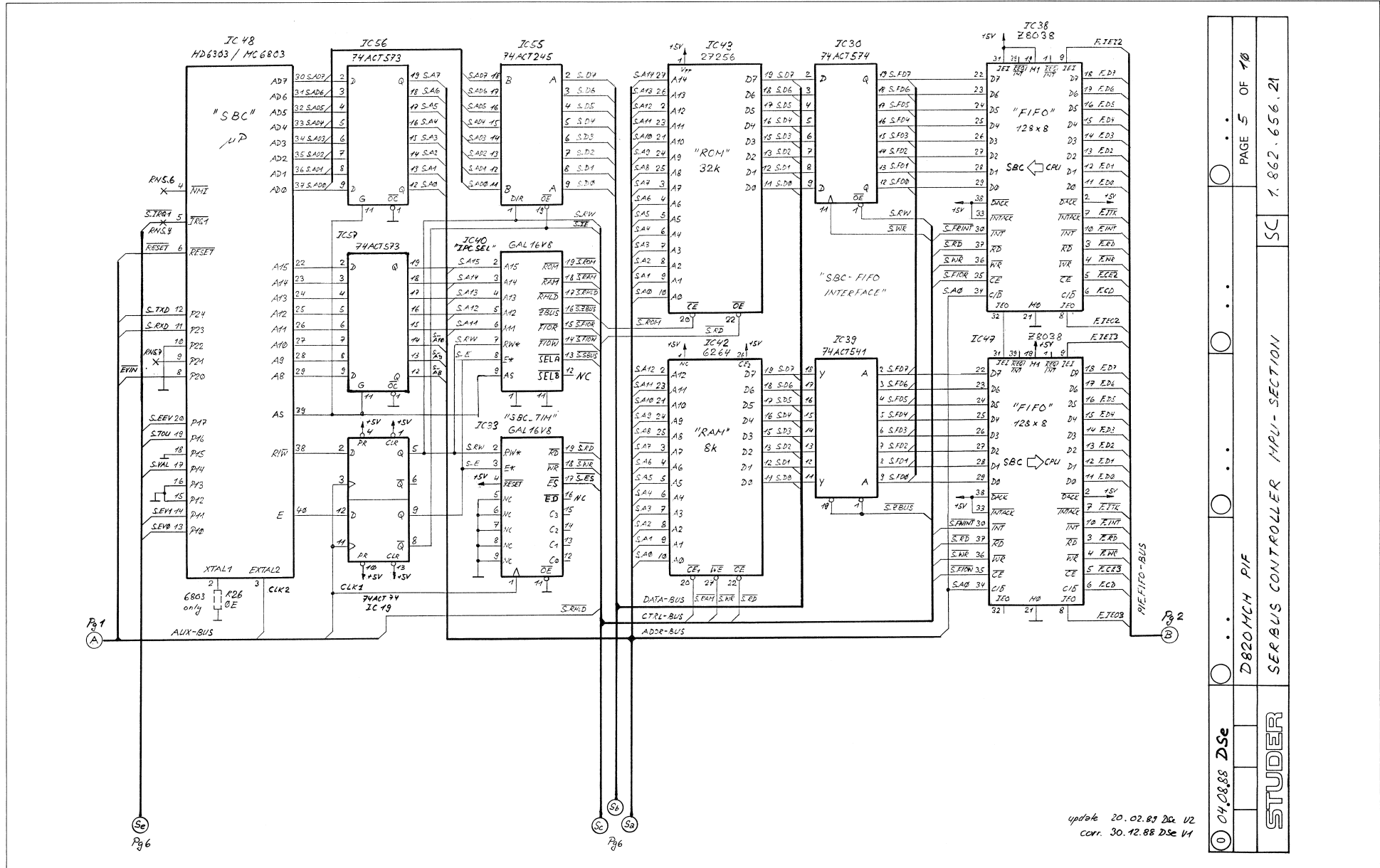
D820MCH PIF

TAPE-DECK CONTROLLER I/F-SECTION SC

PAGE 4 OF 10

1.862.656.21

PERIPHERAL INTERFACE 1.862.656.21



update 20.02.83 Doc 12
corr. 30.12.88 D5e V4

PAGE 5 OF 10

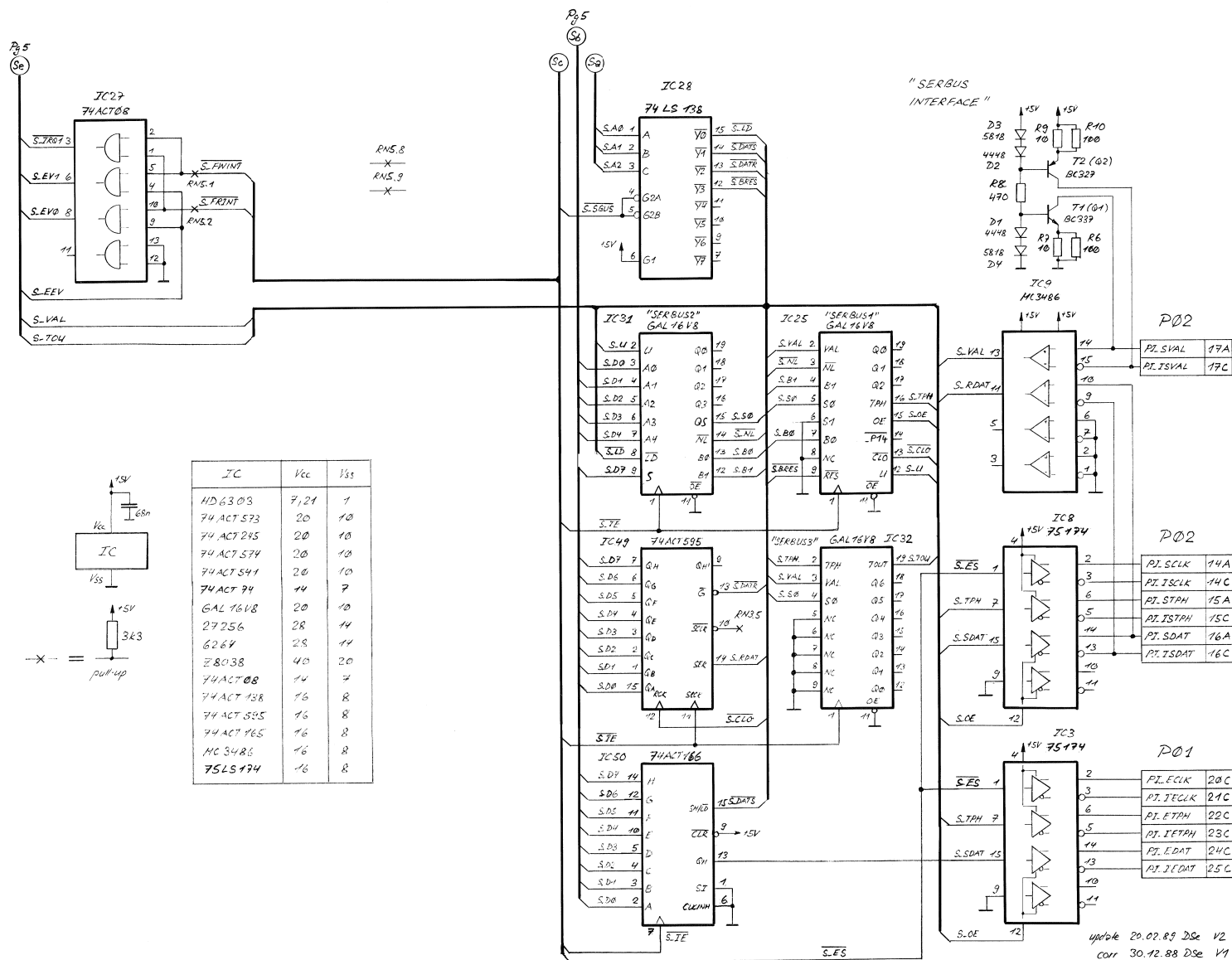
SC 1.862.656.21

D820MCH PIF

SERBUS CONTROLLER MPU-SECTION

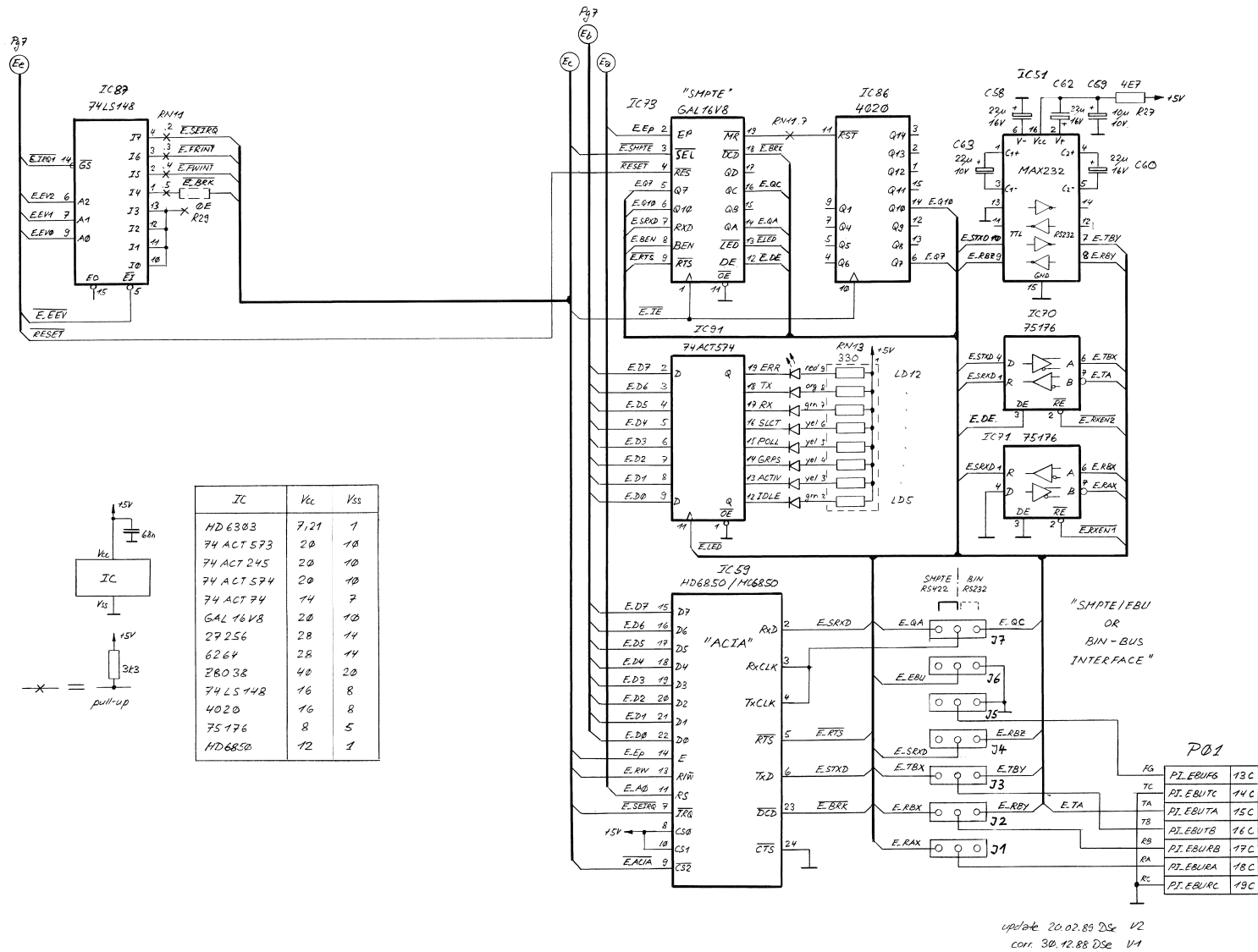
STUDER

PERIPHERAL INTERFACE 1.862.656.21



update 20.07.89 Dse V2
corr 30.12.88 Dse V1

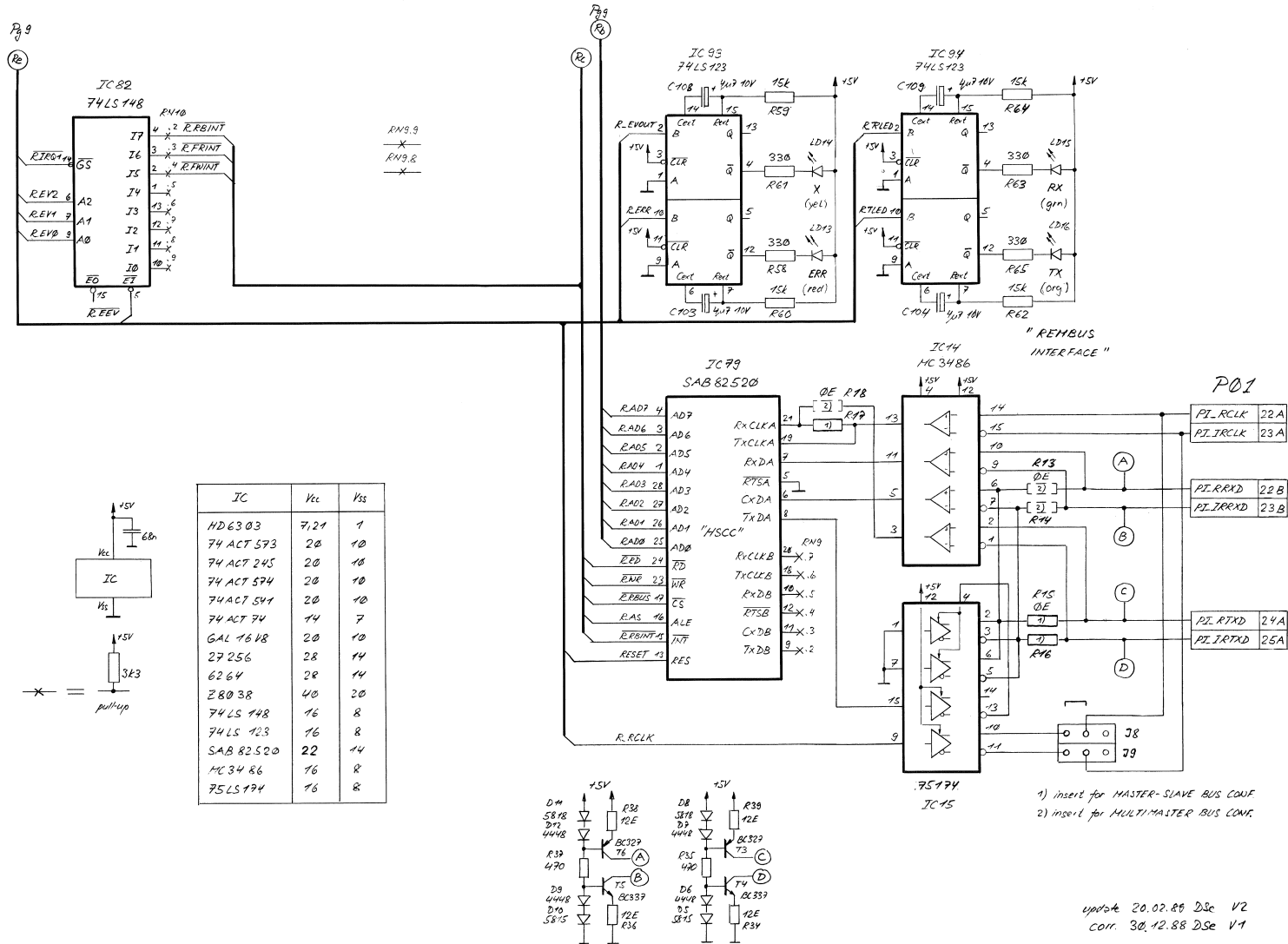
PERIPHERAL INTERFACE 1.862.656.21



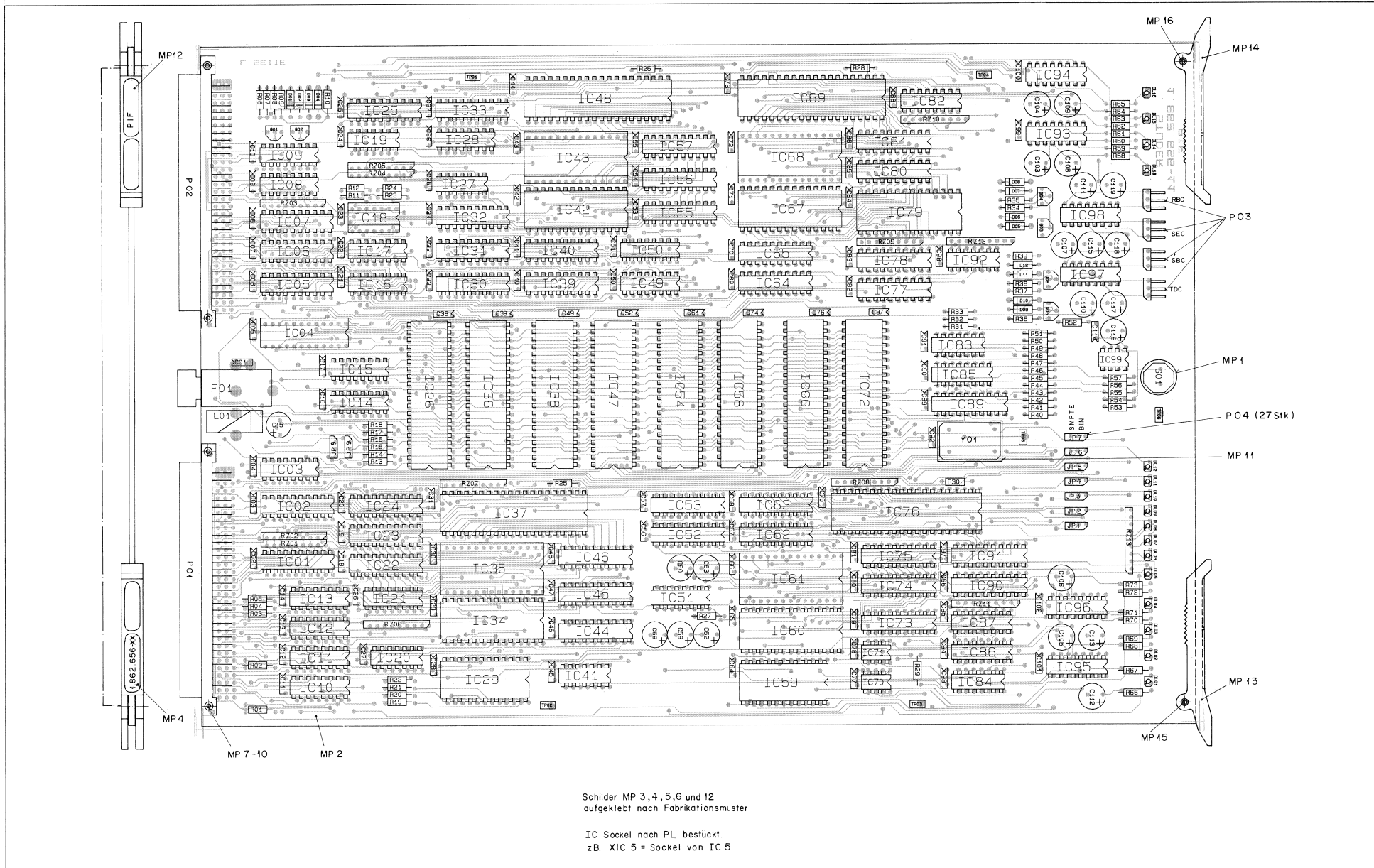
05.08.88 Dse
 D820MCH PIF
 SMPT/EBU-BUS CONTR. MPU-SEC.
 SC
 PAGE 8 OF 10
 1.862.656.21

update 20.02.88 Dse V2
 corr. 30.12.88 Dse V1

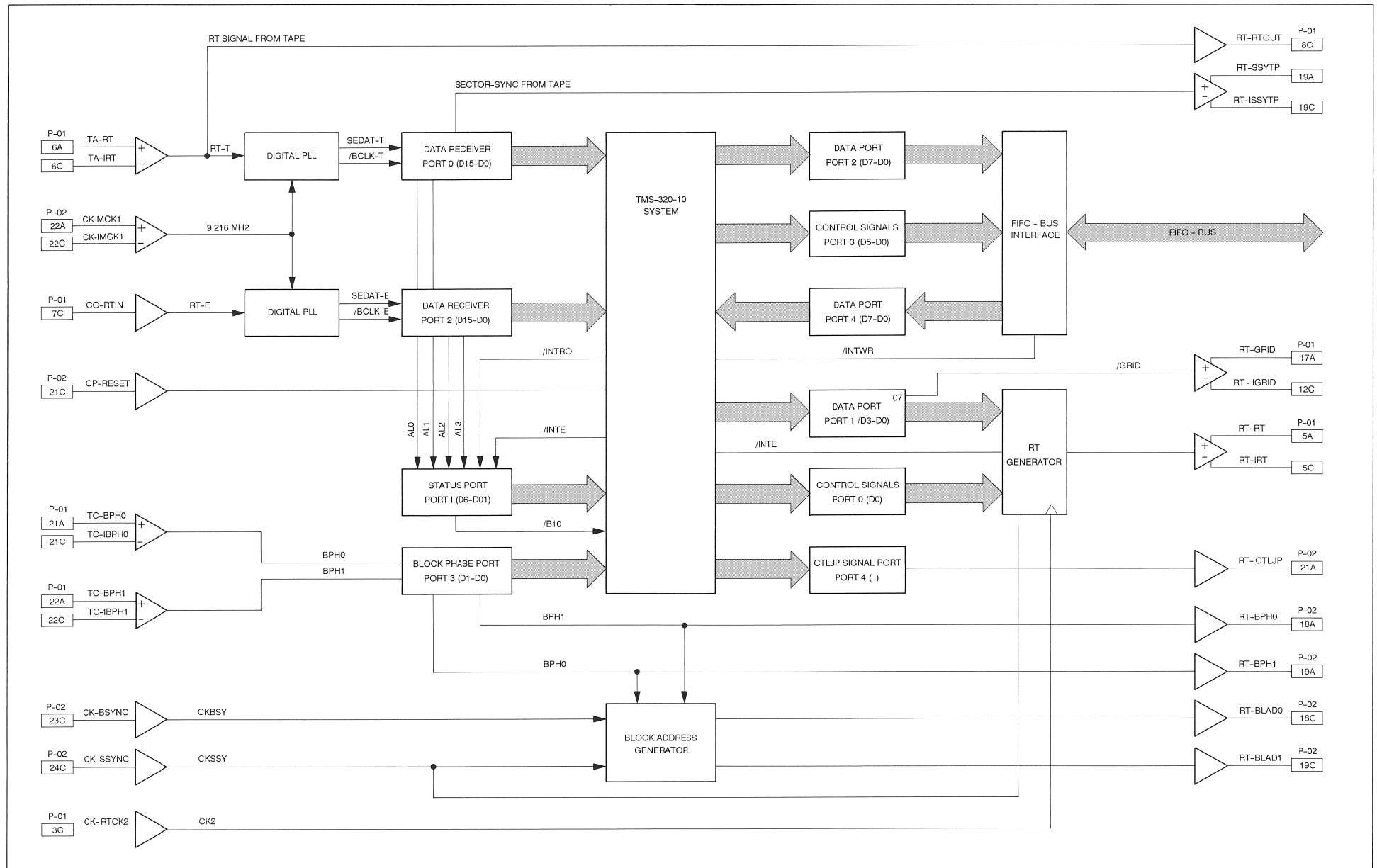
PERIPHERAL INTERFACE 1.862.656.21



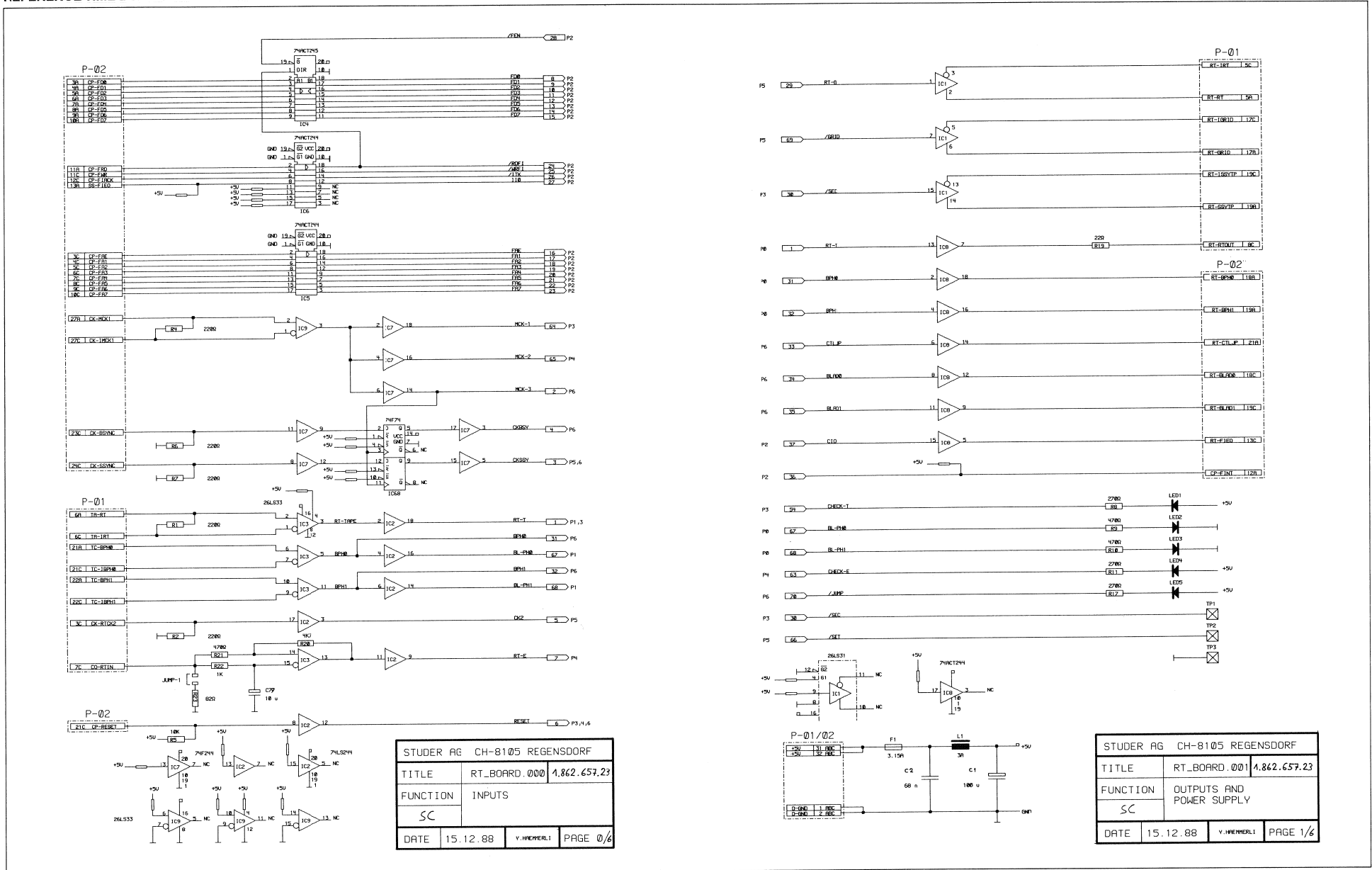
PERIPHERAL INTERFACE 1.862.656.21



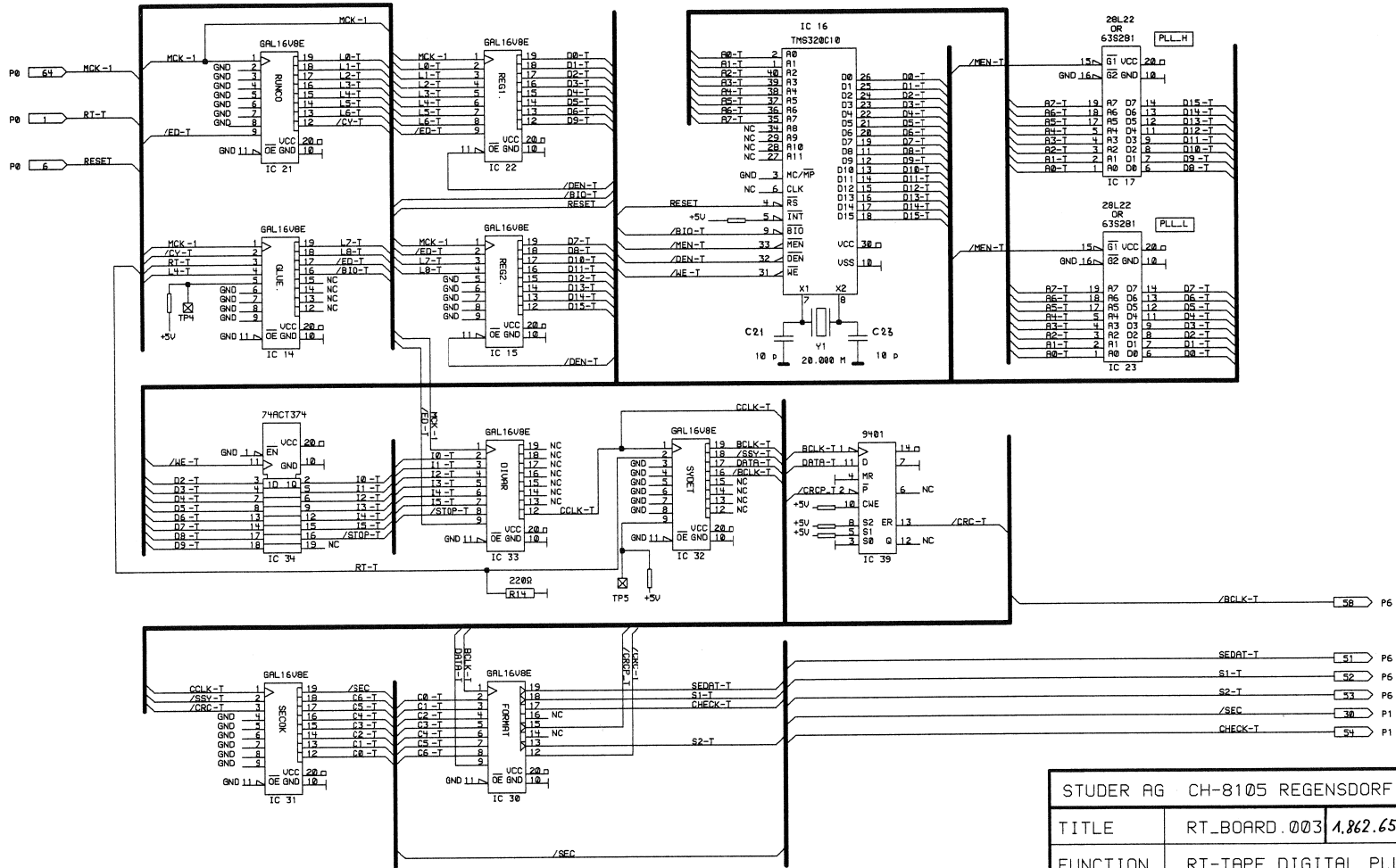
BLOCK DIAGRAM REFERENCE TIME BOARD



REFERENCE TIME BOARD 1.862.657.23

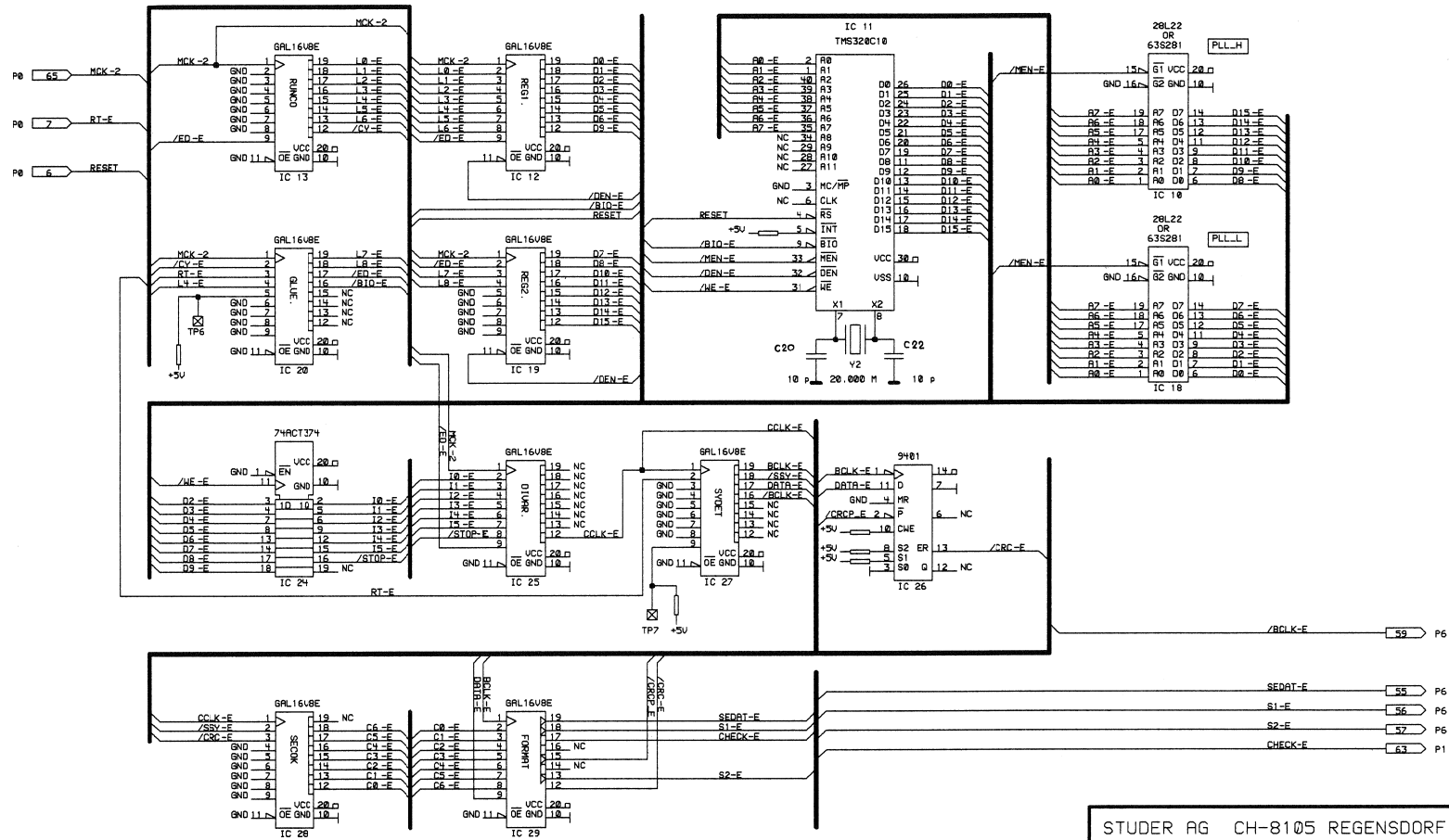


REFERENCE TIME BOARD 1.862.657.23



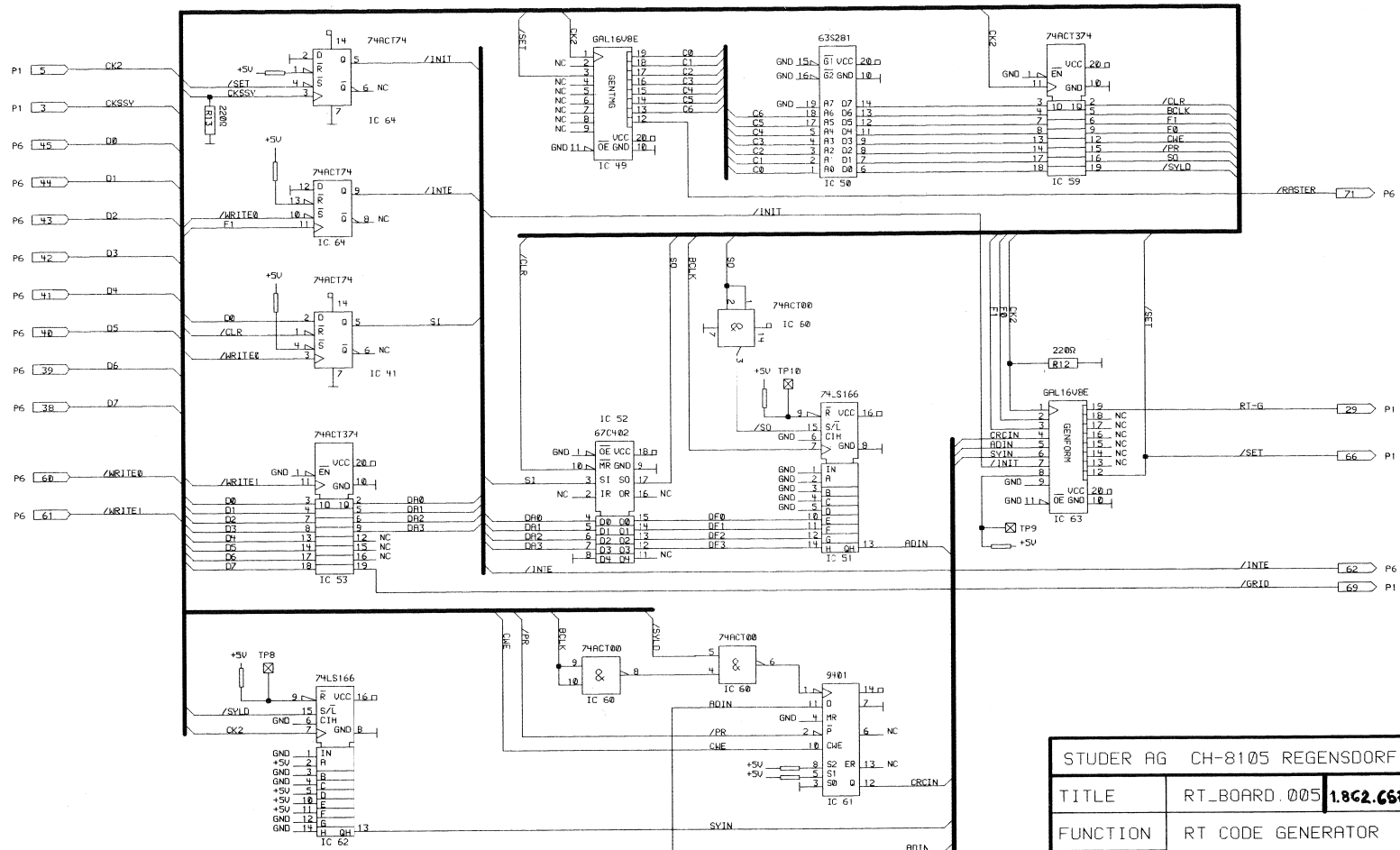
STUDER AG CH-8105 REGENSDORF			
TITLE	RT_BOARD.003	1.862.657.23	
FUNCTION	RT-TAPE DIGITAL PLL AND DATA EXTRACTION		
SC			
DATE	15.12.88	V. HÄRMERLI	PAGE 3/6

REFERENCE TIME BOARD 1.862.657.23



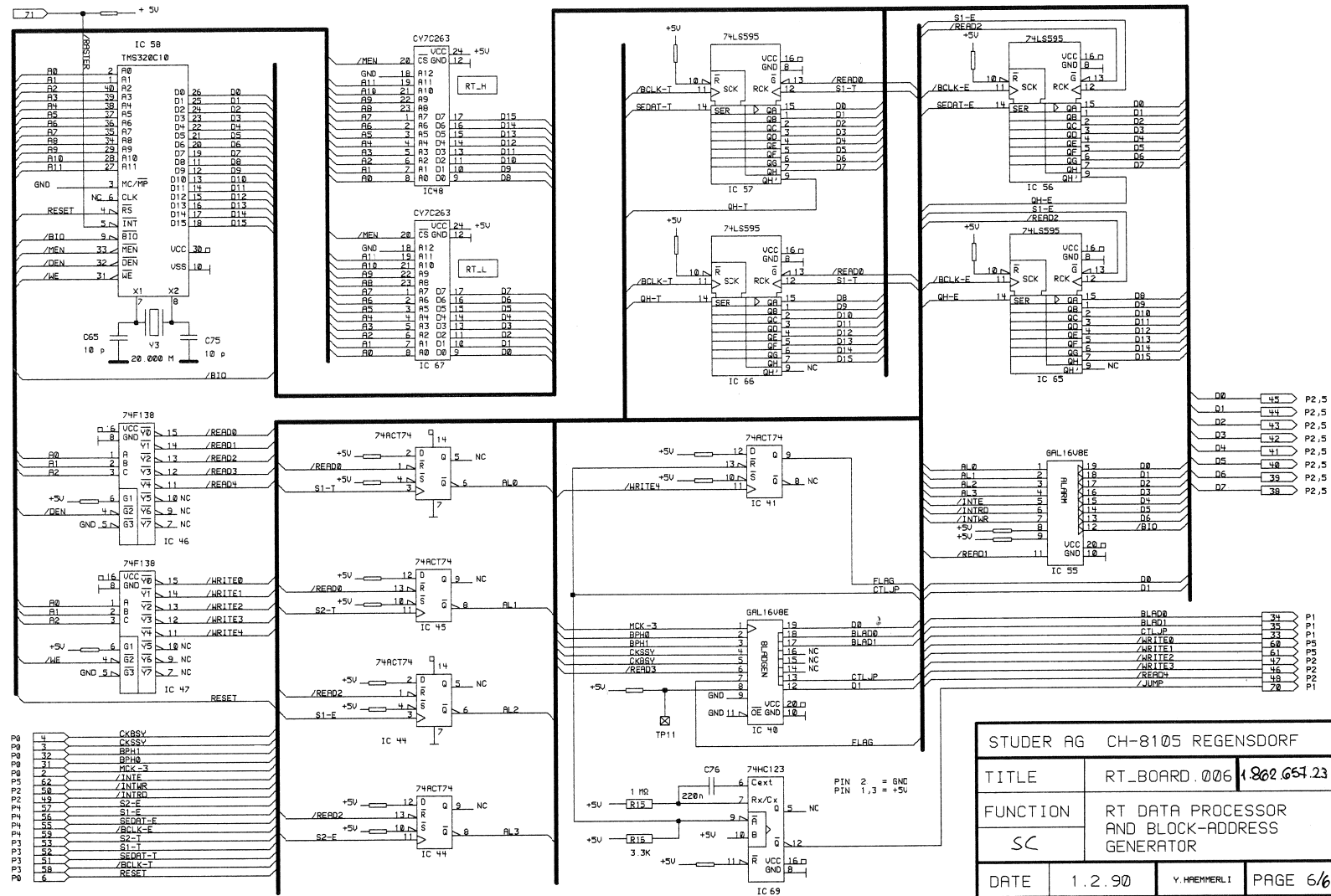
STUDER AG CH-8105 REGENSDORF		
TITLE	RT_BOARD.004	1.862.657.23
FUNCTION	RT-EXT DIGITAL PLL AND DATA EXTRACTION	
SC		
DATE	15.12.88	V. HREMMLER I PAGE 4/6

REFERENCE TIME BOARD 1.862.657.23

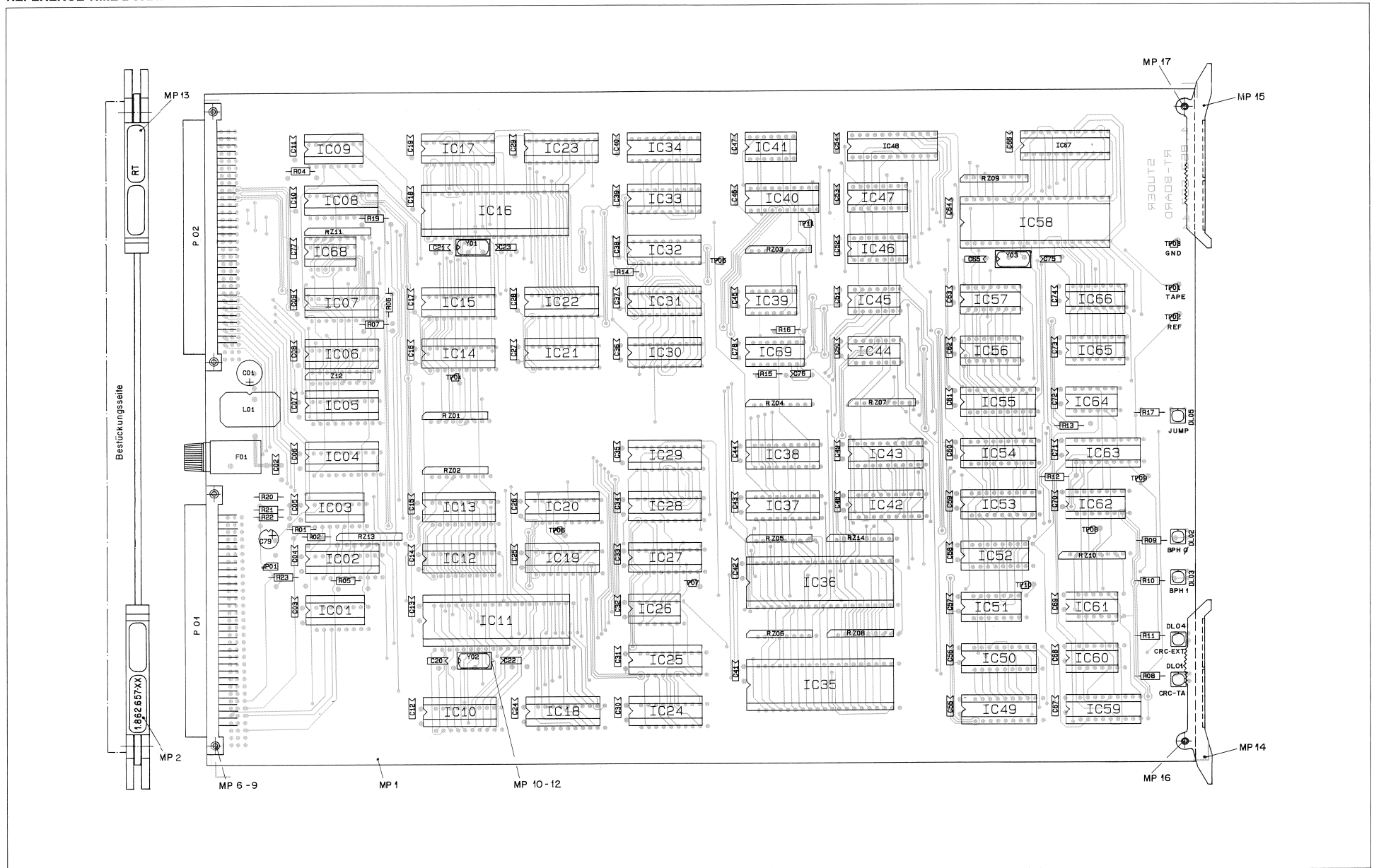


STUDER AG CH-8105 REGENSDORF			
TITLE	RT_BOARD.005	1.862.657.23	
FUNCTION	RT CODE GENERATOR		
SC			
DATE	1.2.90	Y. HREMPLI	PAGE 5/6

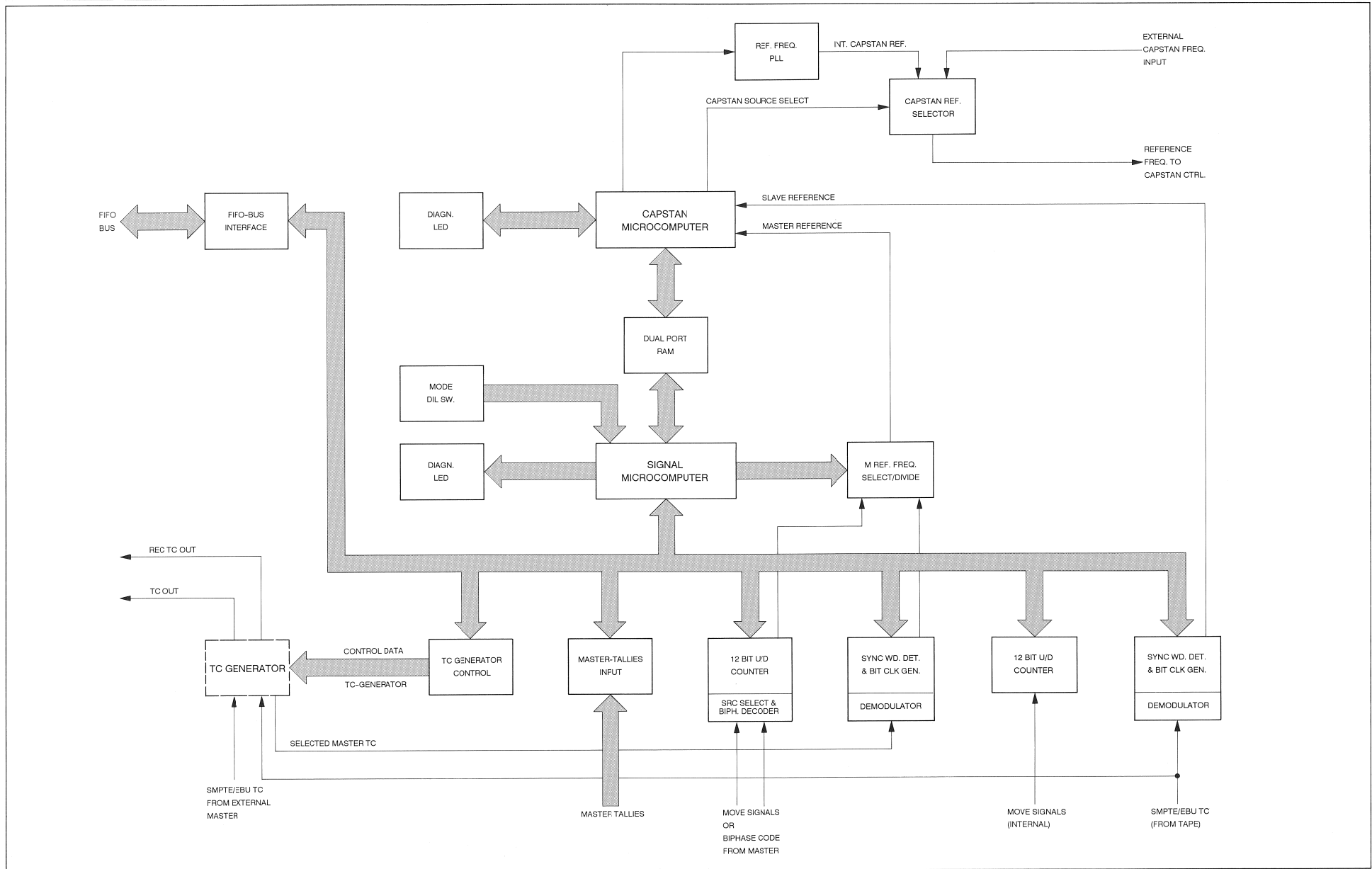
REFERENCE TIME BOARD 1.862.657.23



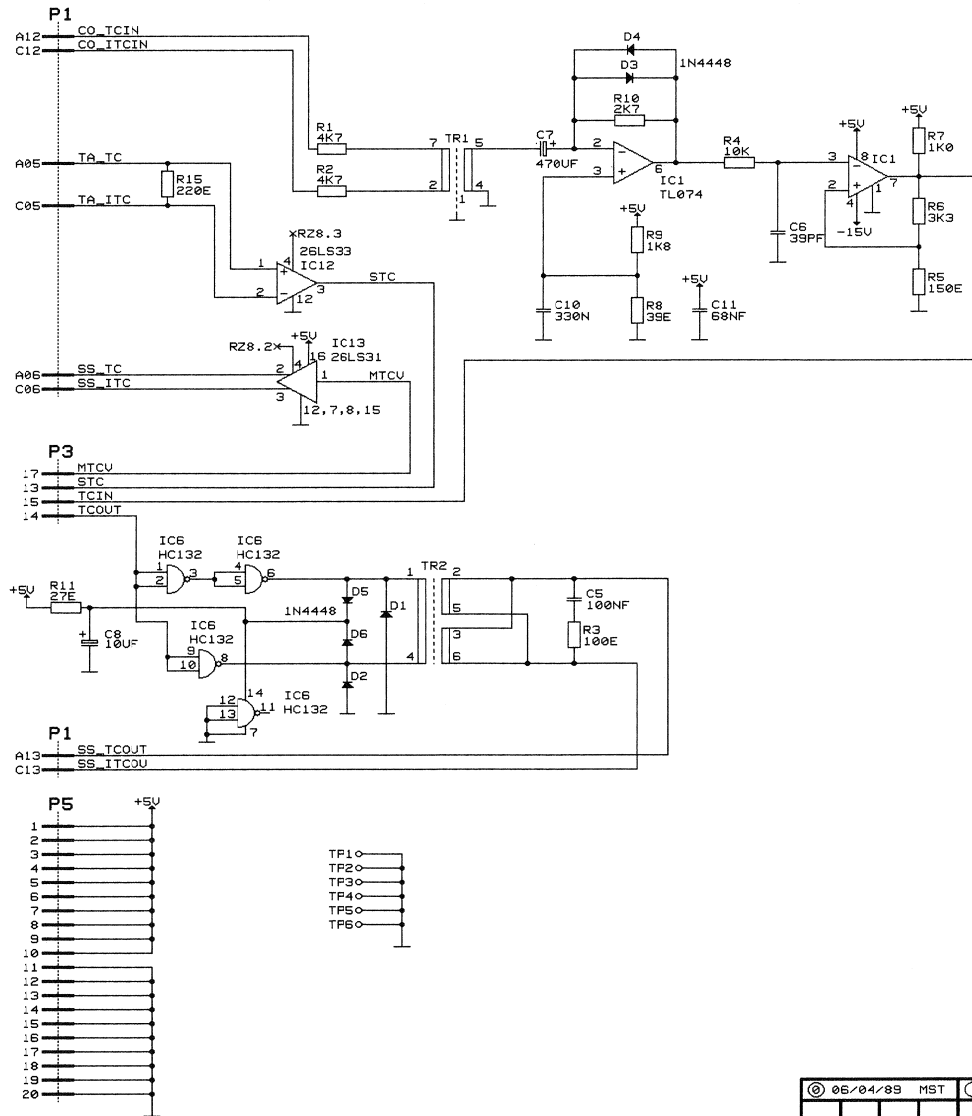
REFERENCE TIME BOARD 1.862.657.23



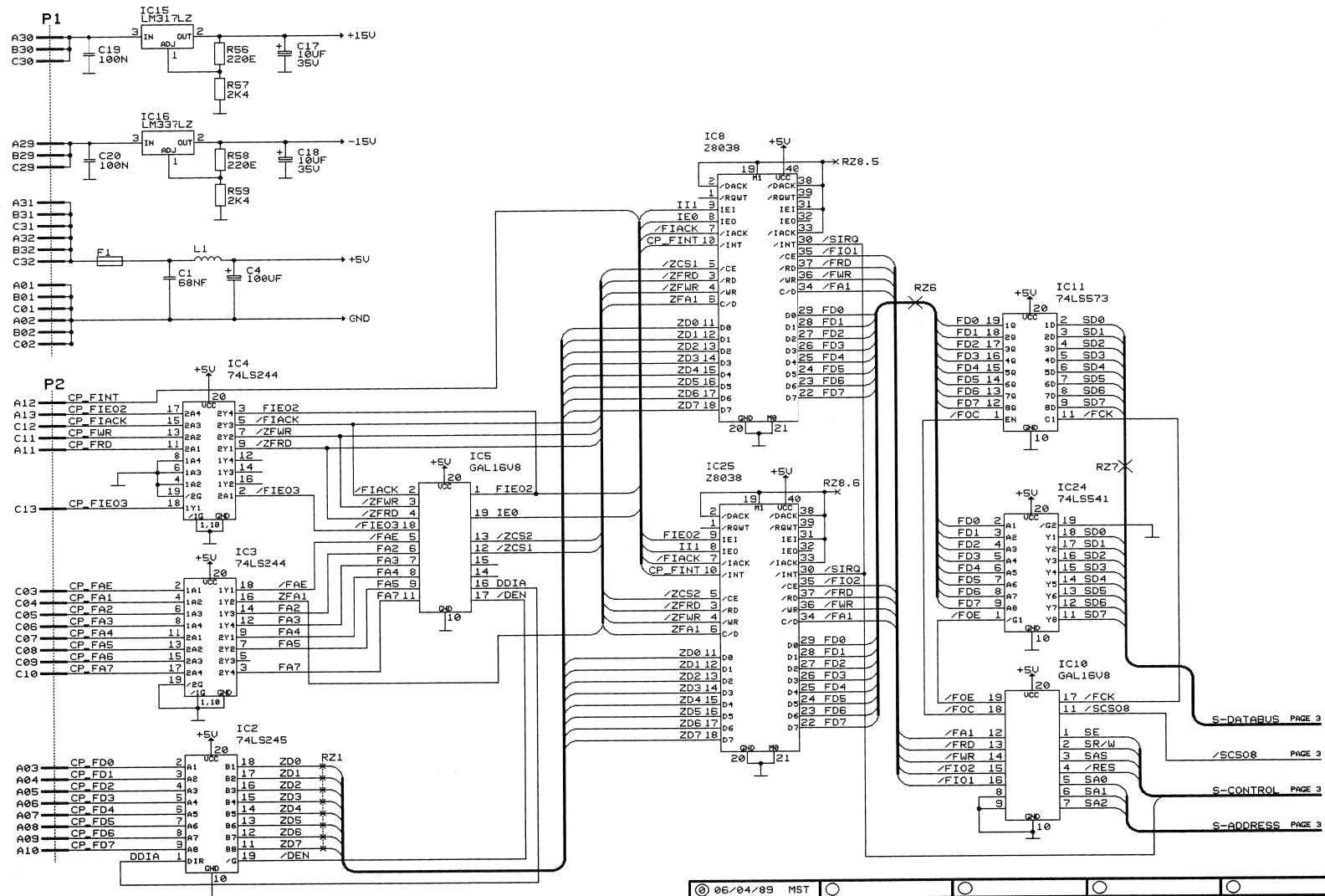
BLOCK DIAGRAM SSTC BOARD



SSTC BOARD 1.862.659.22

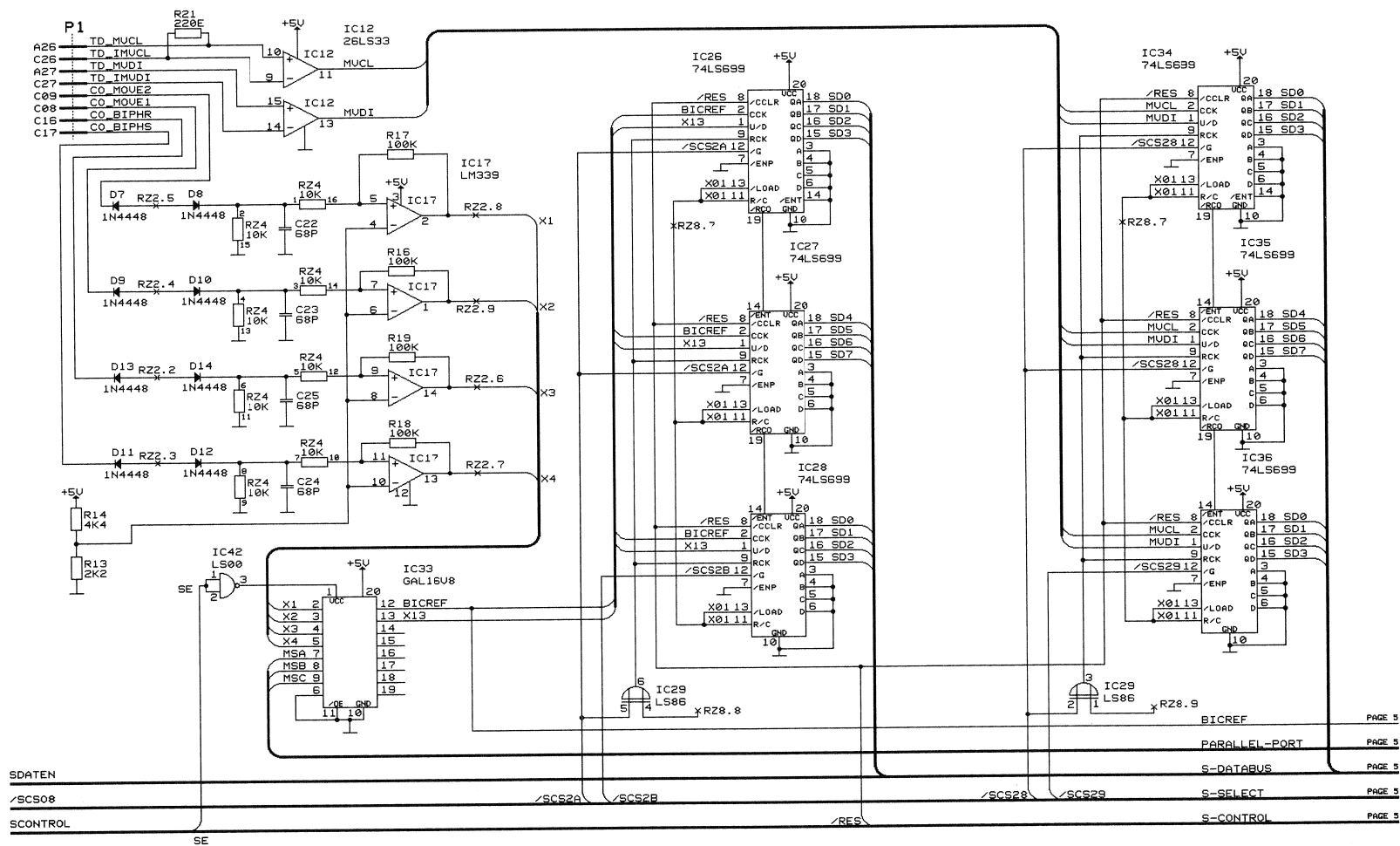


© 05/04/89	MST				
D820 MULTICHANNEL			PAGE 1 OF 9		
STUDER		SSTC BOARD		SC	1.862.659.22



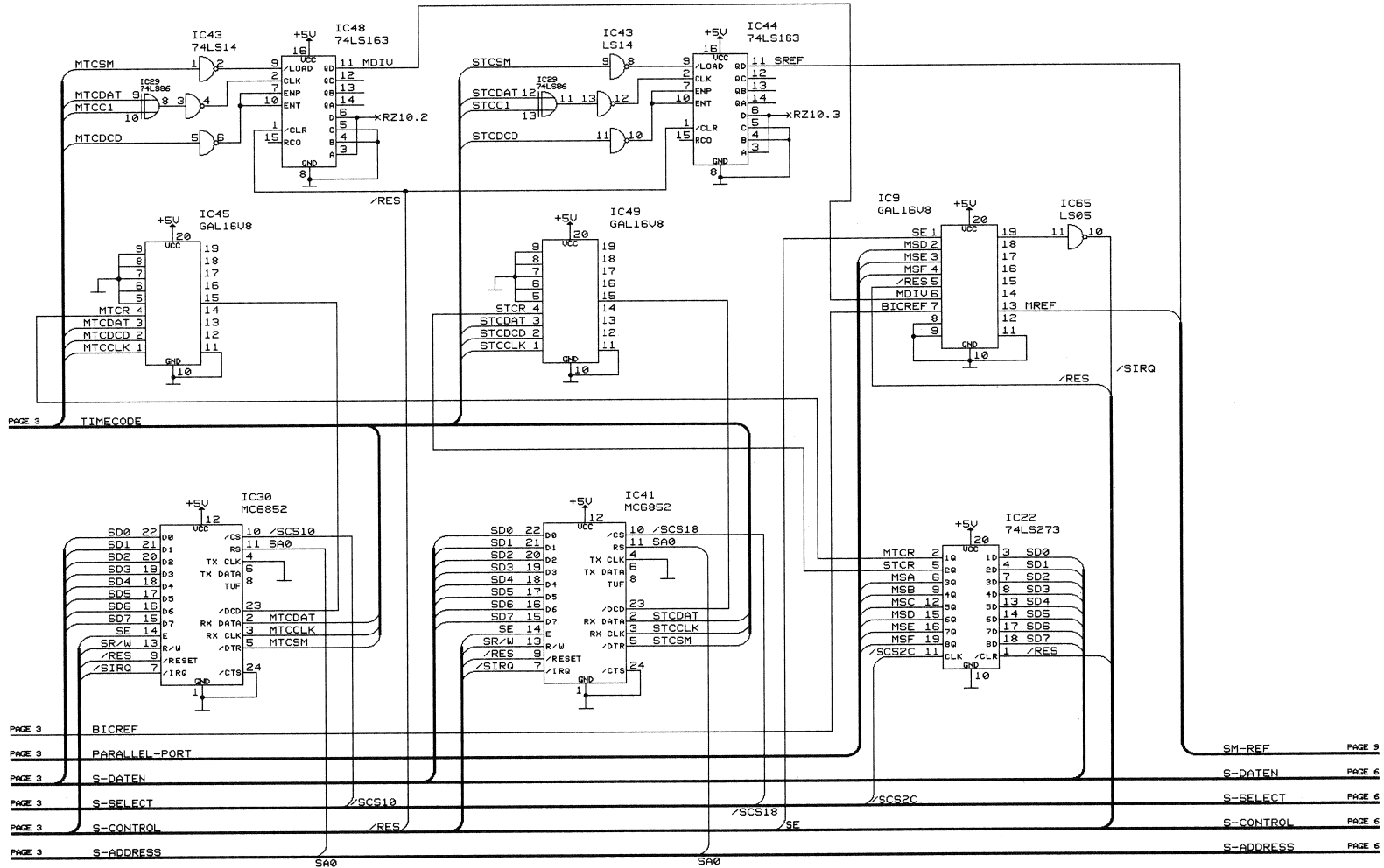
© 06/04/93 MST	D820 MULTICHANNEL	PAGE 2 OF 9
STUDER	SSTC BOARD	SC 1.862.659.22

SSTC BOARD 1.862.659.22



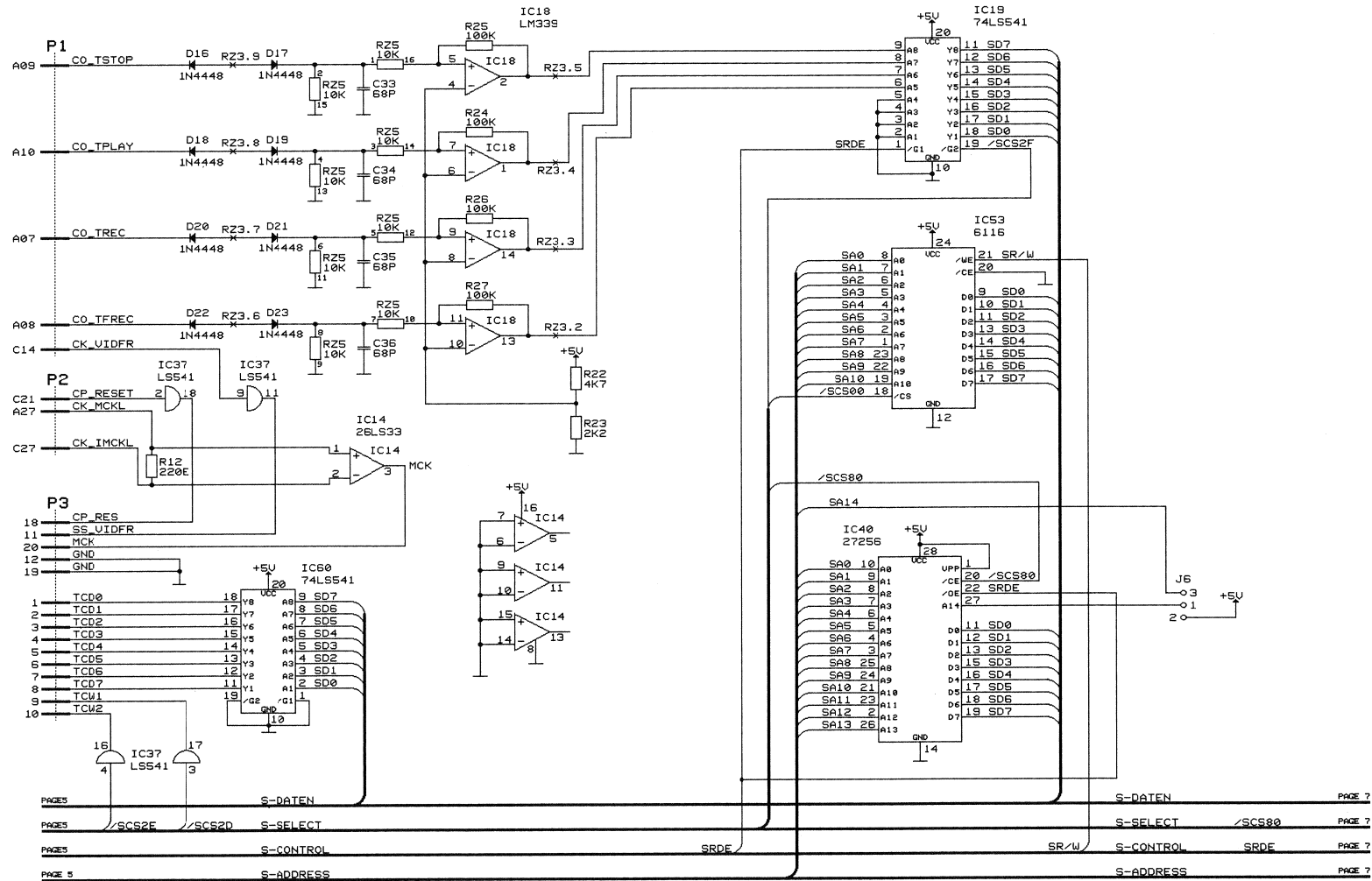
© 06/04/89 MST				
	D820 MULTICHANNEL			PAGE 3 OF 3
STUDER	SSTC BOARD	SC	1.862.659.22	

SSTC BOARD 1.862.659.22



© 06/04/89	MST			
D820 MULTICHANNEL			PAGE 5 OF 9	
STUDER		SSTC BOARD		SC 1.862.659.22

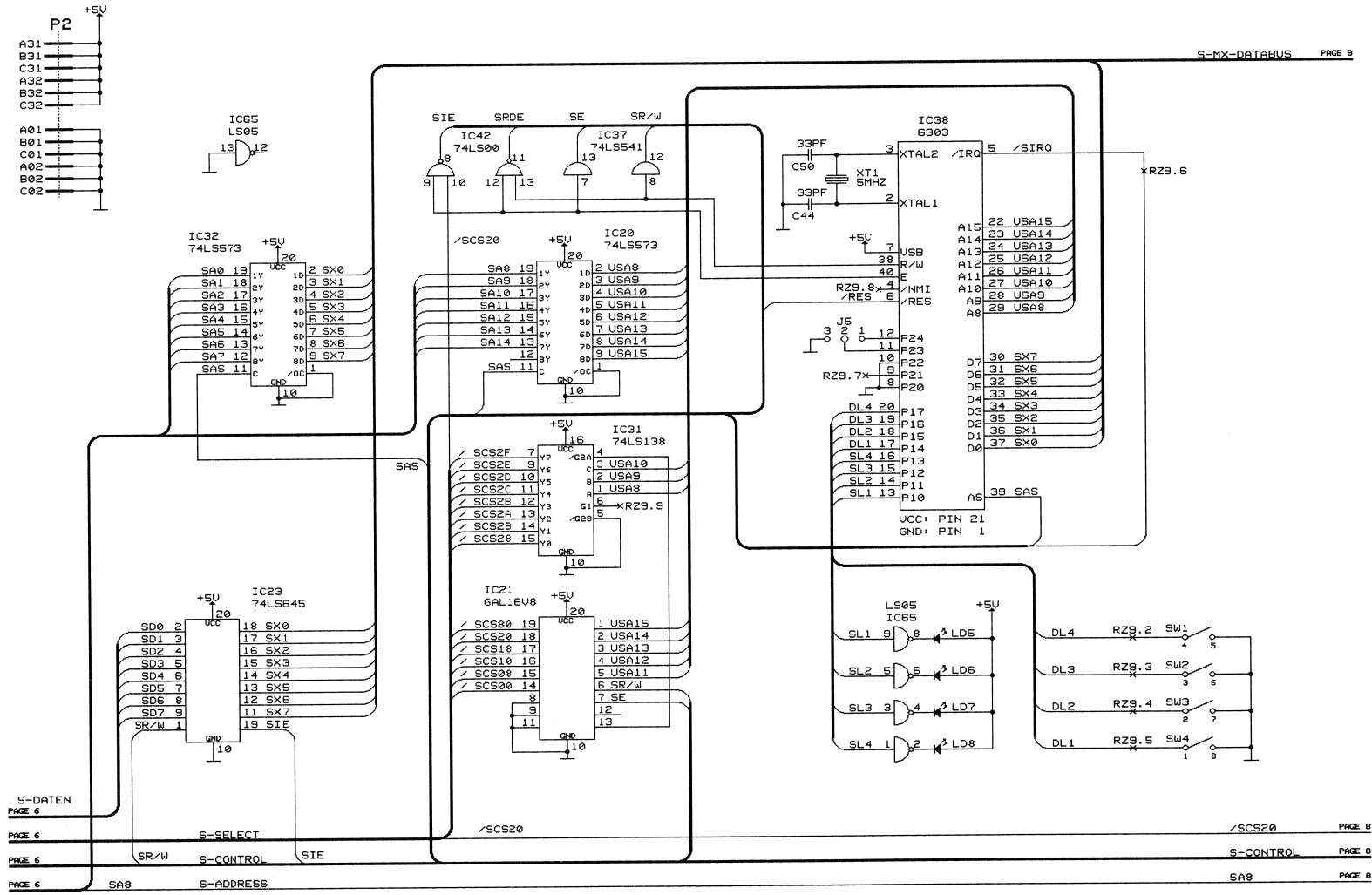
SSTC BOARD 1.862.659.22



© 06/04/89 MST				
D820 MULTICHANNEL			PAGE 6 OF 9	
STUDER	SSTC BOARD		SC	1.862.659.22

SSTC BOARD 1.862.659.22

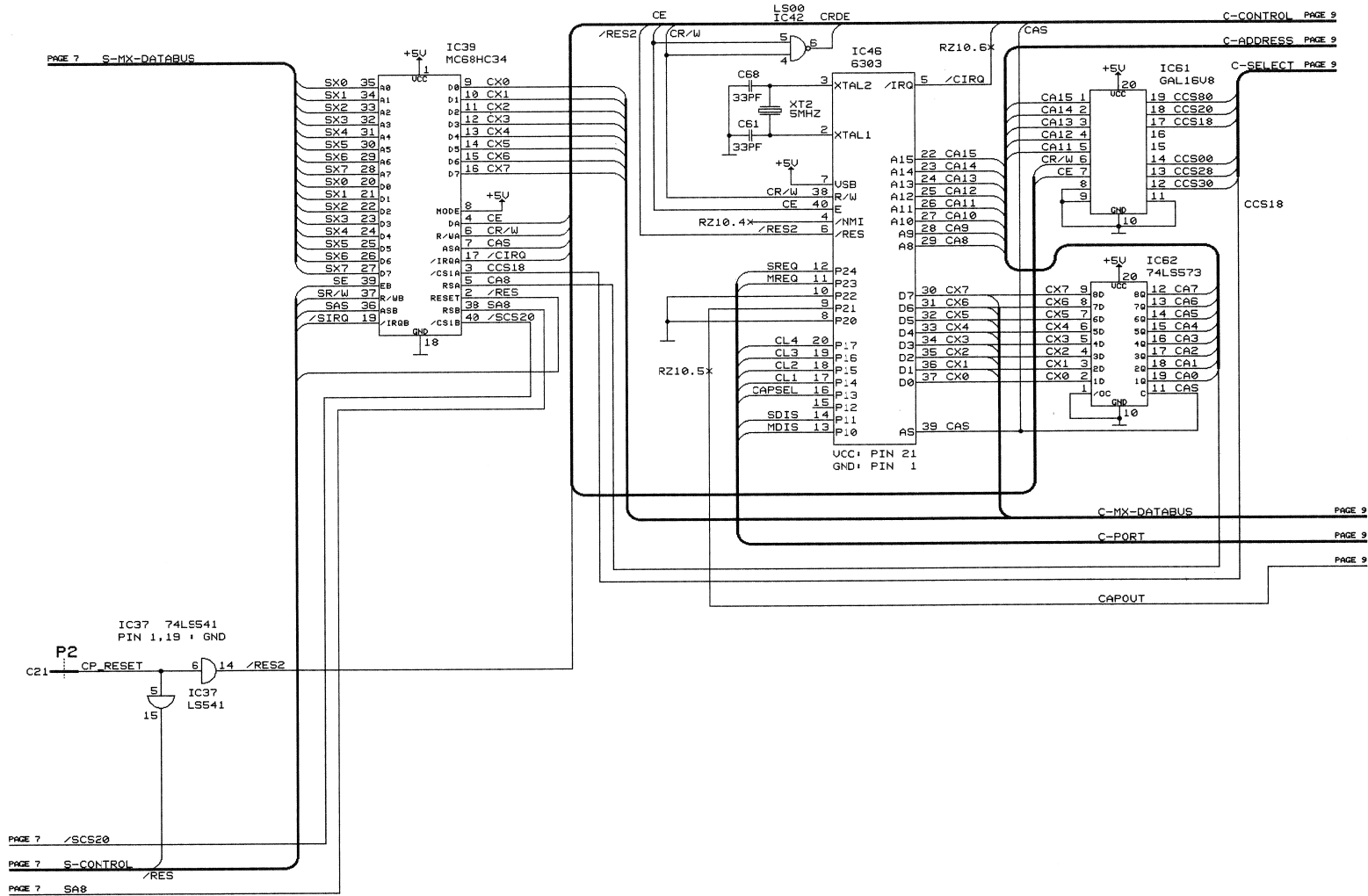
S-MX-DATABUS PAGE 8



S-DATEN PAGE 6
 S-SELECT PAGE 6
 S-CONTROL PAGE 8
 S-ADDRESS PAGE 6
 /SCS20 PAGE 8
 S-CONTROL PAGE 8
 SAS PAGE 8

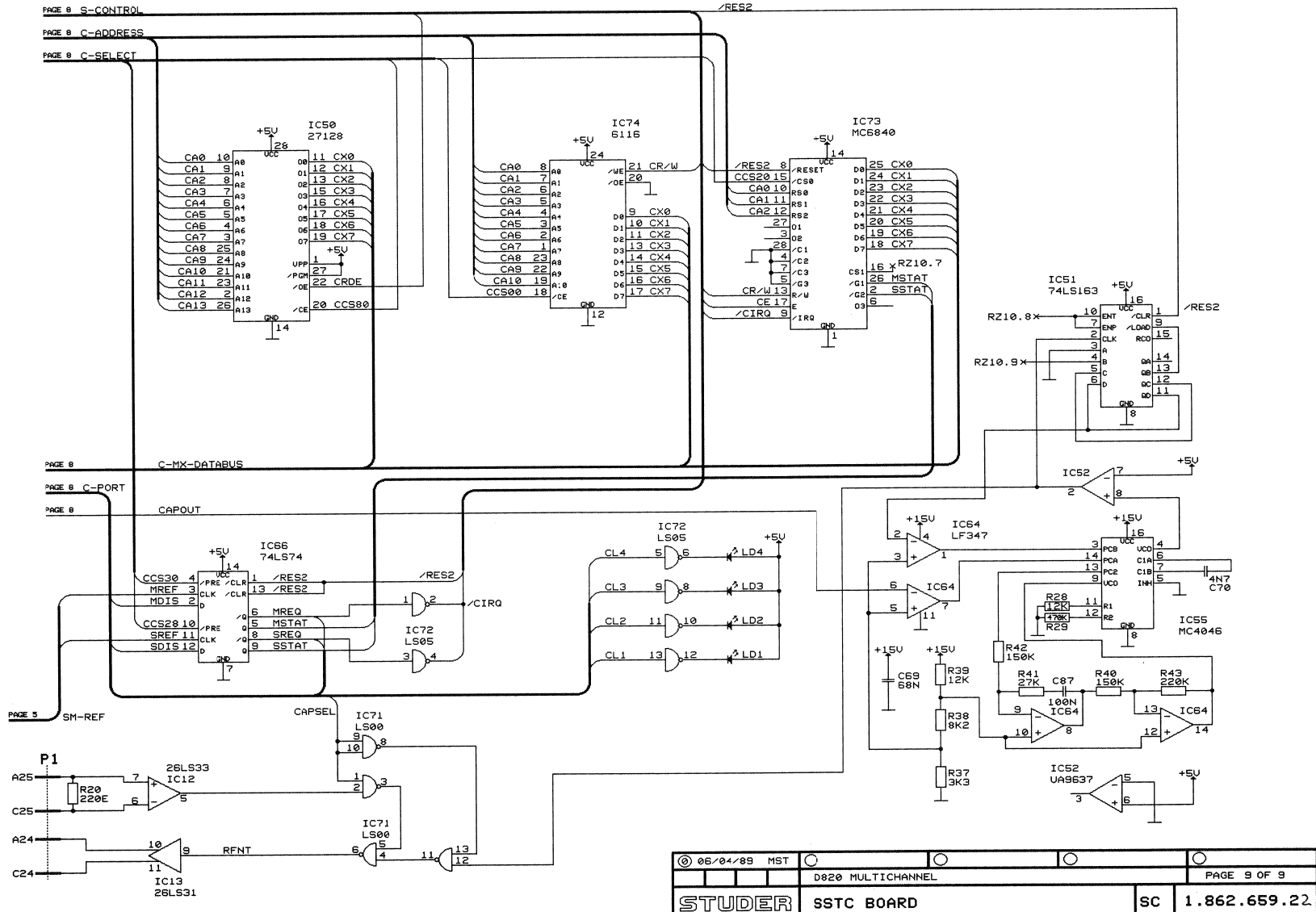
© 06/04/89 MST	D820 MULTICHANNEL	PAGE 7 OF 9
STUDER	SSTC BOARD	SC 1.862.659.22

SSTC BOARD 1.862.659.22



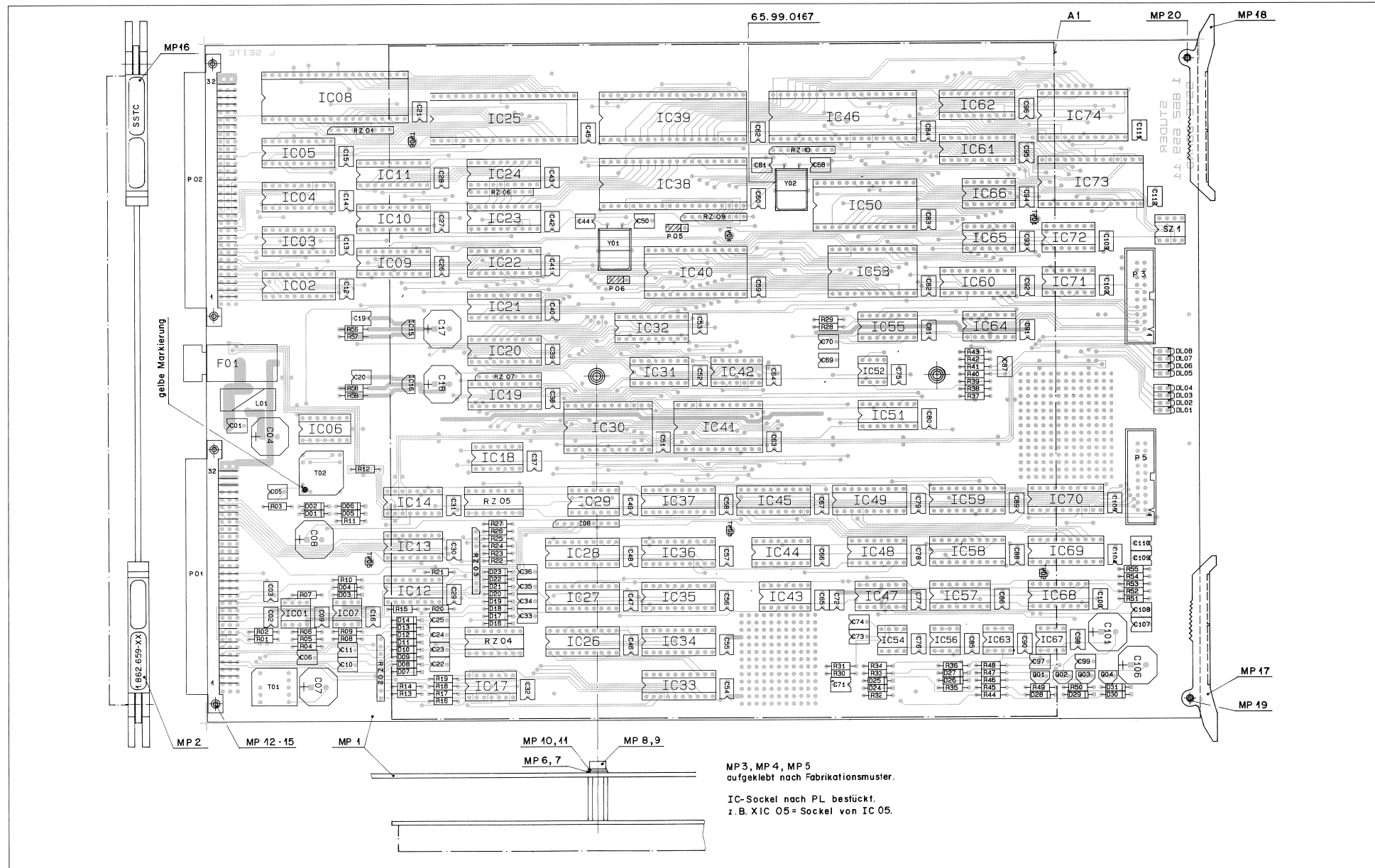
© 06/04/89	MST				
D820 MULTICHANNEL				PAGE 8 OF 9	
STUDER			SSTC BOARD		SC 1.862.659.22

SSTC BOARD 1.862.659.22



© 06/04/89	MST								
D820 MULTICHANNEL					PAGE 9 OF 9				
STUDER		SSTC BOARD			SC		1.862.659.22		

SSTC BOARD 1.862.659.22



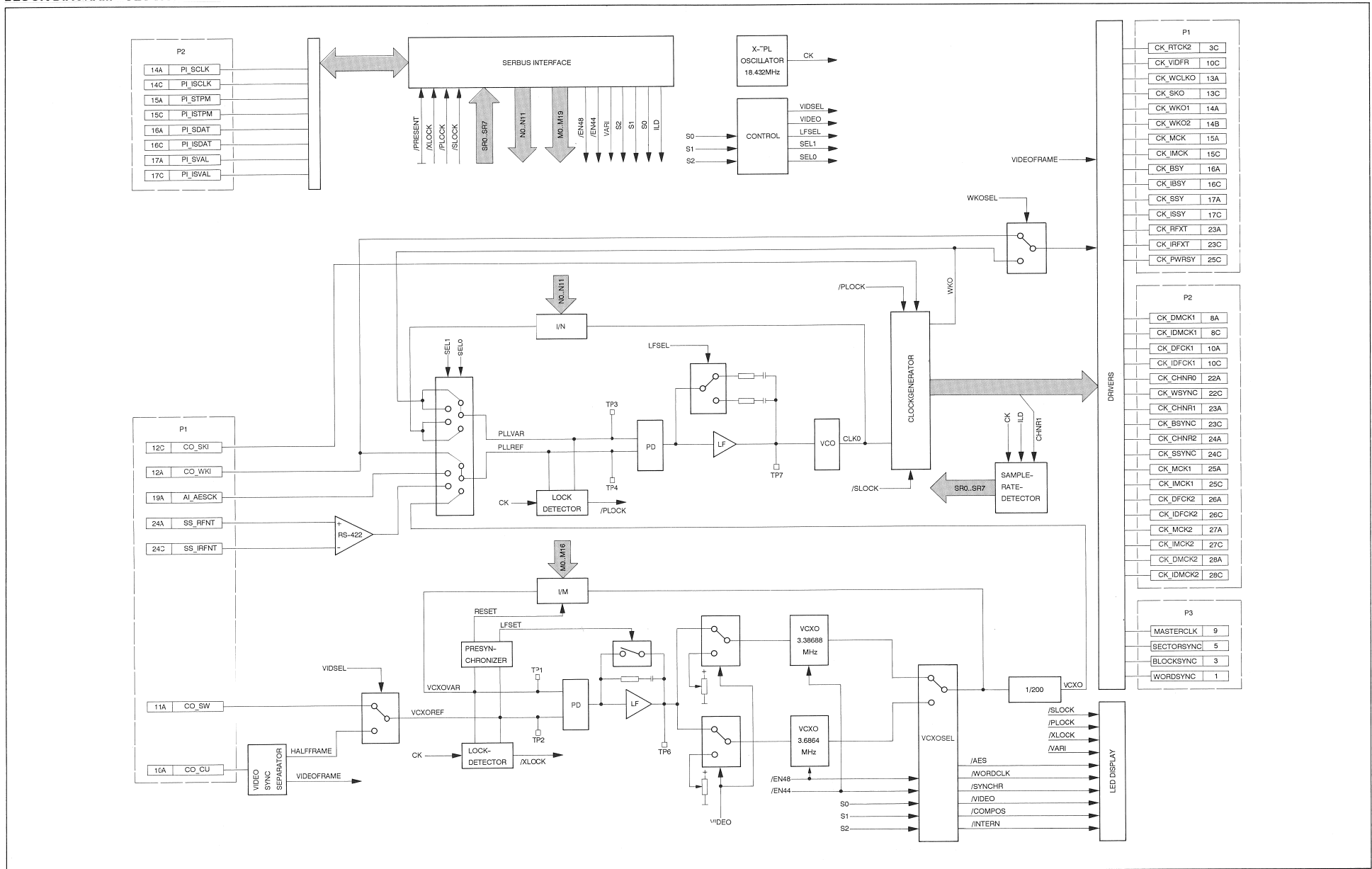
MP3, MP 4, MP 5
aufgeklebt nach Fabrikationsmuster.
IC-Socket nach PL bestückt.
z. B. XIC 05= Socket von IC 05.

STUDER D820 MCH

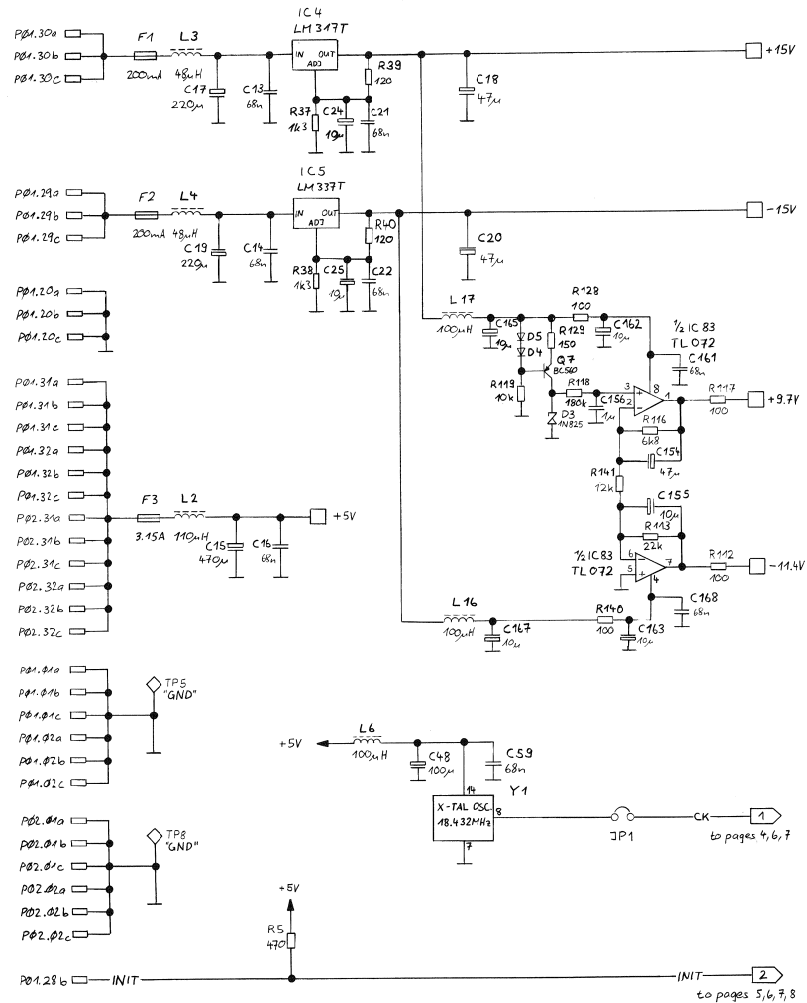
SSTC BOARD 1.862.659.22

IND.	POS.NO.	PART NO.	VALUE	SPECIFICATIONS / EQUIVALENT	MANUF.	IND.	POS.NO.	PART NO.	VALUE	SPECIFICATIONS / EQUIVALENT	MANUF.	IND.	POS.NO.	PART NO.	VALUE	SPECIFICATIONS / EQUIVALENT	MANUF.	IND.	POS.NO.	PART NO.	VALUE	SPECIFICATIONS / EQUIVALENT	MANUF.	
A.....1	1.862.685.21			TIME CODE BACKBANK	ST	C...110	59.06.0683	68 nF	10X, 63V, PETP	ANY	IC...66	50.06.0074			74 LS 74 AN	ANY	B2...3	57.86.4332	843.3k	2%	0.25W SFP	ANY		
C.....1	59.06.0683	68 nF	10X, 63V, PETP	ANY	C...111	59.06.0683	68 nF	10X, 63V, PETP	ANY	IC...67	50.05.0203			74643	ANY	B2...4	57.86.3103	84.10k			2%	0.25W SFP	ANY	
C.....2	59.06.0683	68 nF	10X, 63V, PETP	ANY	C...112	59.06.0683	68 nF	10X, 63V, PETP	ANY	IC...68	50.15.0100			MC 3406 P	ANY	B2...5	57.86.3103	84.10k			2%	0.25W SFP	ANY	
C.....3	59.06.0683	68 nF	10X, 63V, PETP	ANY	D...1	50.04.0125			1W 44489, SI	ANY	IC...69	50.16.0100			GAL 16V8-25LP	(SM 1.862.964.20)	ANY	B2...6	57.86.4332	843.3k	2%	0.25W SFP	ANY	
C.....4	59.22.4101	100 uF	-20%, 16V, EL	ANY	D...2	50.04.0125			1W 44489, SI	ANY	IC...70	50.06.0075			74 LS 378 B	ANY	B2...7	57.86.4332	843.3k	2%	0.25W SFP	ANY		
C.....5	59.06.0104	100 uF	10X, 63V, PETP	ANY	D...3	50.04.0125			1W 44489, SI	ANY	IC...71	50.06.0000			74 LS 00 B	ANY	B2...8	57.86.4332	843.3k	2%	0.25W SFP	ANY		
C.....6	59.34.2390	39 pF	5%, CER	ANY	D...4	50.04.0125			1W 44489, SI	ANY	IC...72	50.06.0005			MC 68040 P	ANY	B2...9	57.86.4332	843.3k	2%	0.25W SFP	ANY		
C.....7	59.22.2471	470 uF	-20%, 6.3V, EL	ANY	D...5	50.04.0125			1W 44489, SI	ANY	IC...73	50.16.0115			MC 68040 P	ANY	B2...10	57.86.4332	843.3k	2%	0.25W SFP	ANY		
C.....8	59.30.4100	10 uF	20%, 16V, EL	ANY	D...6	50.04.0125			1W 44489, SI	ANY	J...5	54.01.0020			STIFTLISTE ** CTY 3 *****	ANY	B2...11	55.01.0164	4 * A			DIL Switch	ANY	
C.....9	59.06.0683	68 nF	10X, 63V, PETP	ANY	D...7	50.04.0125			1W 44489, SI	ANY	J...6	54.01.0020			STIFTLISTE ** CTY 3 *****	ANY	T...1	1.022.409.00				TRMS CODE OUTPUT TRANSFORMER	ST	
C...10	59.06.0334	330 nF	10X, 63V, PETP	ANY	D...8	50.04.0125			1W 44489, SI	ANY	J...7	54.01.0021			JUMPER	ANY	TR...1	54.02.0320				SOLDERING PIN	ANY	
C...11	59.06.0683	68 nF	10X, 63V, PETP	ANY	D...9	50.04.0125			1W 44489, SI	ANY	J...8	54.01.0021			JUMPER	ANY	TR...2	54.02.0320				SOLDERING PIN	ANY	
C...12	59.06.0683	68 nF	10X, 63V, PETP	ANY	D...10	50.04.0125			1W 44489, SI	ANY	L...1	62.03.0040	100 uH		5 A FILTER	ANY	TR...3	54.02.0320				SOLDERING PIN	ANY	
C...13	59.06.0683	68 nF	10X, 63V, PETP	ANY	D...11	50.04.0125			1W 44489, SI	ANY	L...2	62.03.0040	100 uH		5 A FILTER	ANY	TR...4	54.02.0320				SOLDERING PIN	ANY	
C...14	59.06.0683	68 nF	10X, 63V, PETP	ANY	D...12	50.04.0125			1W 44489, SI	ANY	L...3	62.03.0040	100 uH		5 A FILTER	ANY	TR...5	54.02.0320				SOLDERING PIN	ANY	
C...15	59.06.0683	68 nF	10X, 63V, PETP	ANY	D...13	50.04.0125			1W 44489, SI	ANY	L...4	62.03.0040	100 uH		5 A FILTER	ANY	TR...6	54.02.0320				SOLDERING PIN	ANY	
C...16	59.06.0683	68 nF	10X, 63V, PETP	ANY	D...14	50.04.0125			1W 44489, SI	ANY	MP...1	1.862.659.11			SSTC-PCB	ANY	TR...7	54.02.0320				SOLDERING PIN	ANY	
C...17	59.30.6100	10 uF	-20%, 35V, EL	ANY	D...15	50.04.0125			1W 44489, SI	ANY	MP...2	1.862.659.01			WR-FIETTE	ANY	XIC...5	53.03.0165				DIL 24-POL, LOFT	ANY	
C...18	59.06.0104	100 uF	10X, 63V, PETP	ANY	D...16	50.04.0125			1W 44489, SI	ANY	MP...3	1.001.130.01			TEXT-ETIK. 5x20	(F7,00A)	ANY	XIC...6	53.03.0165				DIL 24-POL, LOFT	ANY
C...19	59.06.0104	100 uF	10X, 63V, PETP	ANY	D...17	50.04.0125			1W 44489, SI	ANY	MP...4	1.001.001.20			TEXT-ETIK. 5x20	HARDWARE +20	ANY	XIC...7	53.03.0165				DIL 24-POL, LOFT	ANY
C...20	59.06.0683	68 nF	10X, 63V, PETP	ANY	D...18	50.04.0125			1W 44489, SI	ANY	MP...5	1.001.001.20			TEXT-ETIK. 5x20	HARDWARE +20	ANY	XIC...8	53.03.0165				DIL 24-POL, LOFT	ANY
C...21	59.32.1680	68 pF	10%, CER	ANY	D...19	50.04.0125			1W 44489, SI	ANY	MP...6	23.01.1032			U-SCHLEIF E 3,2/2 6 40.5	ANY	XIC...9	53.03.0165				DIL 24-POL, LOFT	ANY	
C...22	59.32.1680	68 pF	10%, CER	ANY	D...20	50.04.0125			1W 44489, SI	ANY	MP...7	23.01.1032			U-SCHLEIF E 3,2/2 6 40.5	ANY	XIC...10	53.03.0165				DIL 24-POL, LOFT	ANY	
C...23	59.32.1680	68 pF	10%, CER	ANY	D...21	50.04.0125			1W 44489, SI	ANY	MP...8	21.51.8355			LIN-SCHR. IS, M, M 3 A 8	ANY	XIC...11	53.03.0165				DIL 24-POL, LOFT	ANY	
C...24	59.32.1680	68 pF	10%, CER	ANY	D...22	50.04.0125			1W 44489, SI	ANY	MP...9	21.51.8355			LIN-SCHR. IS, M, M 3 A 8	ANY	XIC...12	53.03.0165				DIL 24-POL, LOFT	ANY	
C...25	59.32.1680	68 pF	10%, CER	ANY	D...23	50.04.0125			1W 44489, SI	ANY	MP...10	24.16.1030			RIFPENSCHREIB A, D 3/2 A 8	ANY	XIC...13	53.03.0165				DIL 24-POL, LOFT	ANY	
C...26	59.06.0683	68 nF	10X, 63V, PETP	ANY	D...24	50.04.0125			1W 44489, SI	ANY	MP...11	24.16.1030			RIFPENSCHREIB A, D 3/2 A 8	ANY	XIC...14	53.03.0165				DIL 24-POL, LOFT	ANY	
C...27	59.06.0683	68 nF	10X, 63V, PETP	ANY	D...25	50.04.0125			1W 44489, SI	ANY	MP...12	28.99.9119			REVIETING MIT, D 2.5 x 0.15 x 10	ANY	XIC...15	53.03.0165				DIL 24-POL, LOFT	ANY	
C...28	59.06.0683	68 nF	10X, 63V, PETP	ANY	D...26	50.04.0125			1W 44489, SI	ANY	MP...13	28.99.9119			REVIETING MIT, D 2.5 x 0.15 x 10	ANY	XIC...16	53.03.0165				DIL 24-POL, LOFT	ANY	
C...29	59.06.0683	68 nF	10X, 63V, PETP	ANY	D...27	50.04.0125			1W 44489, SI	ANY	MP...14	28.99.9119			REVIETING MIT, D 2.5 x 0.15 x 10	ANY	XIC...17	53.03.0165				DIL 24-POL, LOFT	ANY	
C...30	59.06.0683	68 nF	10X, 63V, PETP	ANY	D...28	50.04.0125			1W 44489, SI	ANY	MP...15	28.99.9119			REVIETING MIT, D 2.5 x 0.15 x 10	ANY	XIC...18	53.03.0165				DIL 24-POL, LOFT	ANY	
C...31	59.06.0683	68 nF	10X, 63V, PETP	ANY	D...29	50.04.0125			1W 44489, SI	ANY	MP...16	1.862.659.02			LABEL "SSTC"	ANY	XIC...19	53.03.0165				DIL 24-POL, LOFT	ANY	
C...32	59.06.0683	68 nF	10X, 63V, PETP	ANY	D...30	50.04.0125			1W 44489, SI	ANY	MP...17	1.862.659.05			AUSSENFERBEREL.	ANY	XIC...20	53.03.0165				DIL 24-POL, LOFT	ANY	
C...33	59.32.1680	68 pF	10%, CER	ANY	D...31	50.04.0125			1W 44489, SI	ANY	MP...18	1.862.659.05			AUSSENFERBEREL.	ANY	XIC...45	53.03.0165				DIL 24-POL, LOFT	ANY	
C...34	59.32.1680	68 pF	10%, CER	ANY	D...32	50.04.0125			1W 44489, SI	ANY	MP...19	1.862.659.05			AUSSENFERBEREL.	ANY	XIC...46	53.03.0165				DIL 24-POL, LOFT	ANY	
C...35	59.32.1680	68 pF	10%, CER	ANY	D...33	50.04.0125			1W 44489, SI	ANY	MP...20	1.862.659.05			AUSSENFERBEREL.	ANY	XIC...47	53.03.0165				DIL 24-POL, LOFT	ANY	

BLOCK DIAGRAM CLOCK BOARD

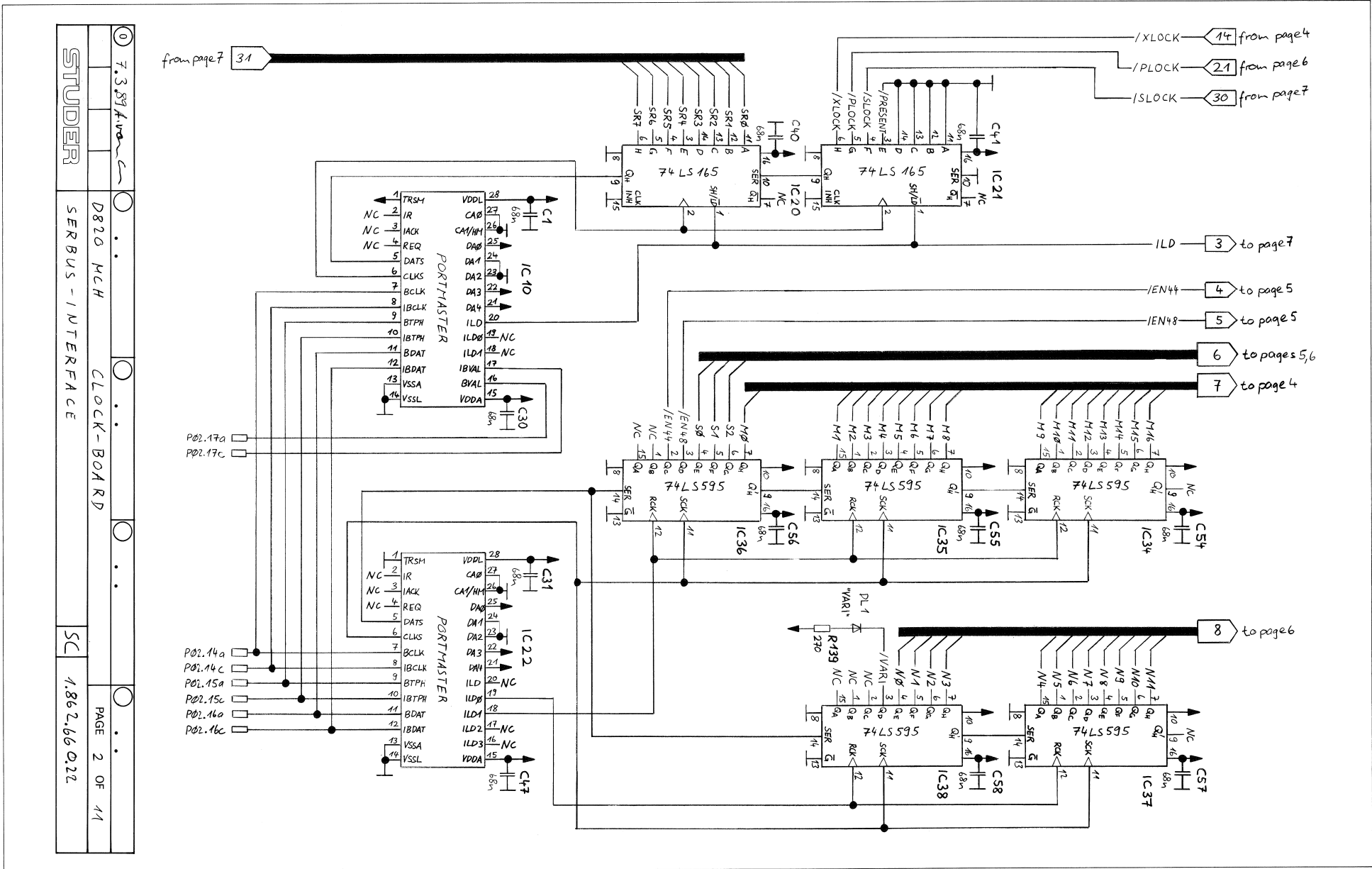


CLOCK BOARD 1.862.660.22



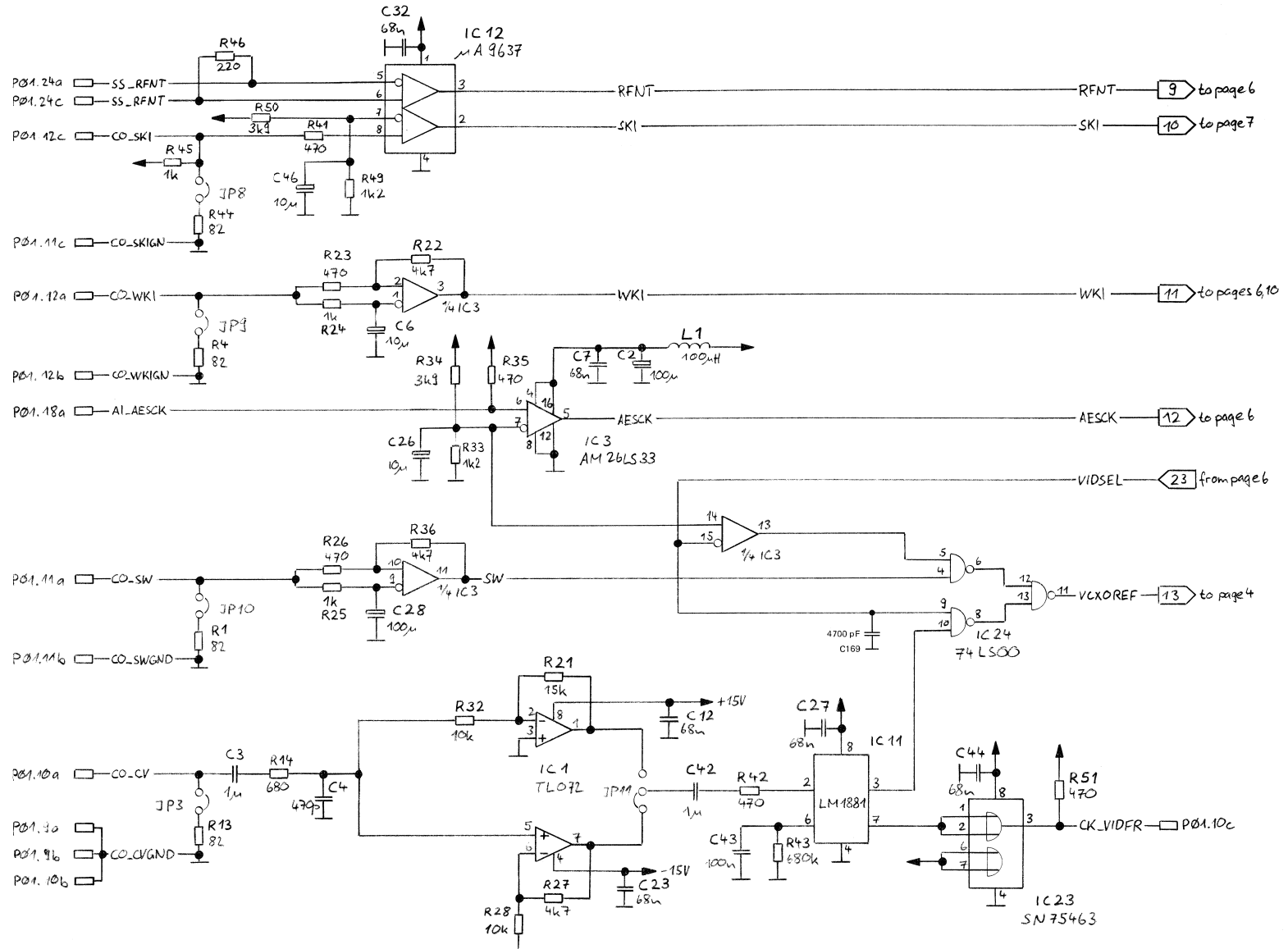
7.389	D820 MCH	CLOCK-BOARD	PAGE 1 OF 11
STUDER	POWERSUPPLY	SC	1.862.660.22

CLOCK BOARD 1.862.660.22

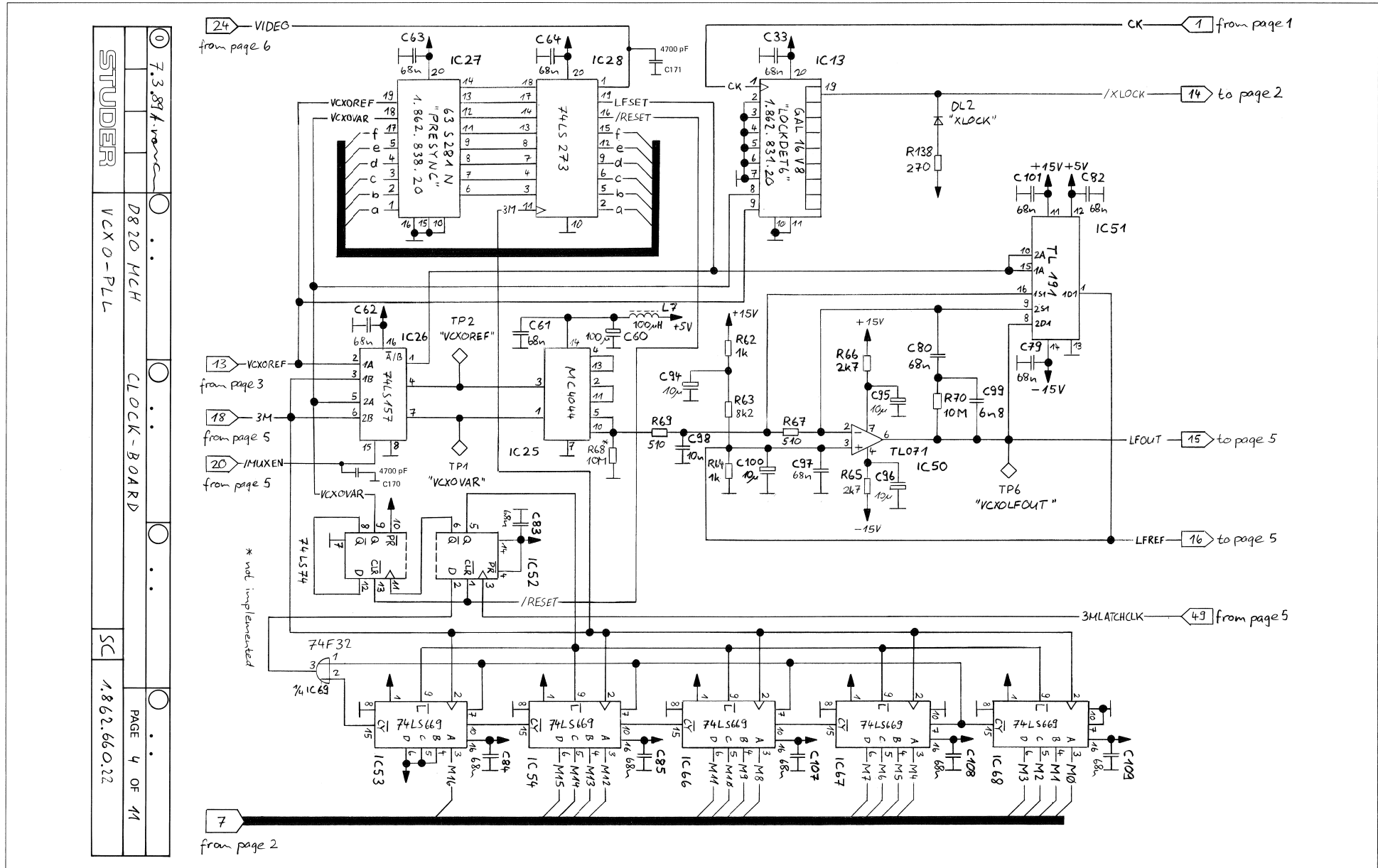


CLOCK BOARD 1.862.660.22

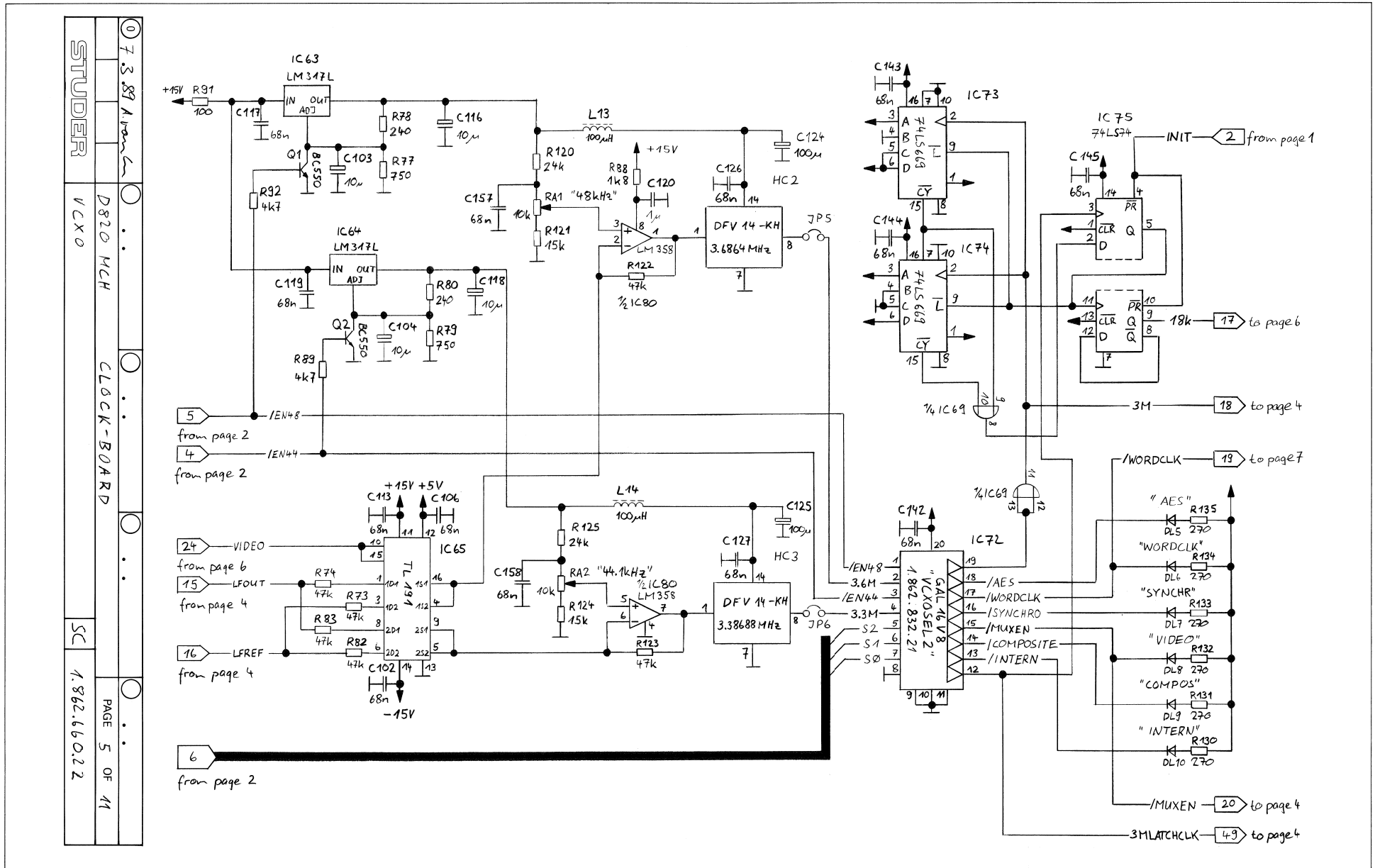
STUDER	7.389 A m-c
	D820 MCH
	CLOCK-BOARD
SC	PAGE 3 OF 11
	1.862.660.22



CLOCK BOARD 1.862.660.22

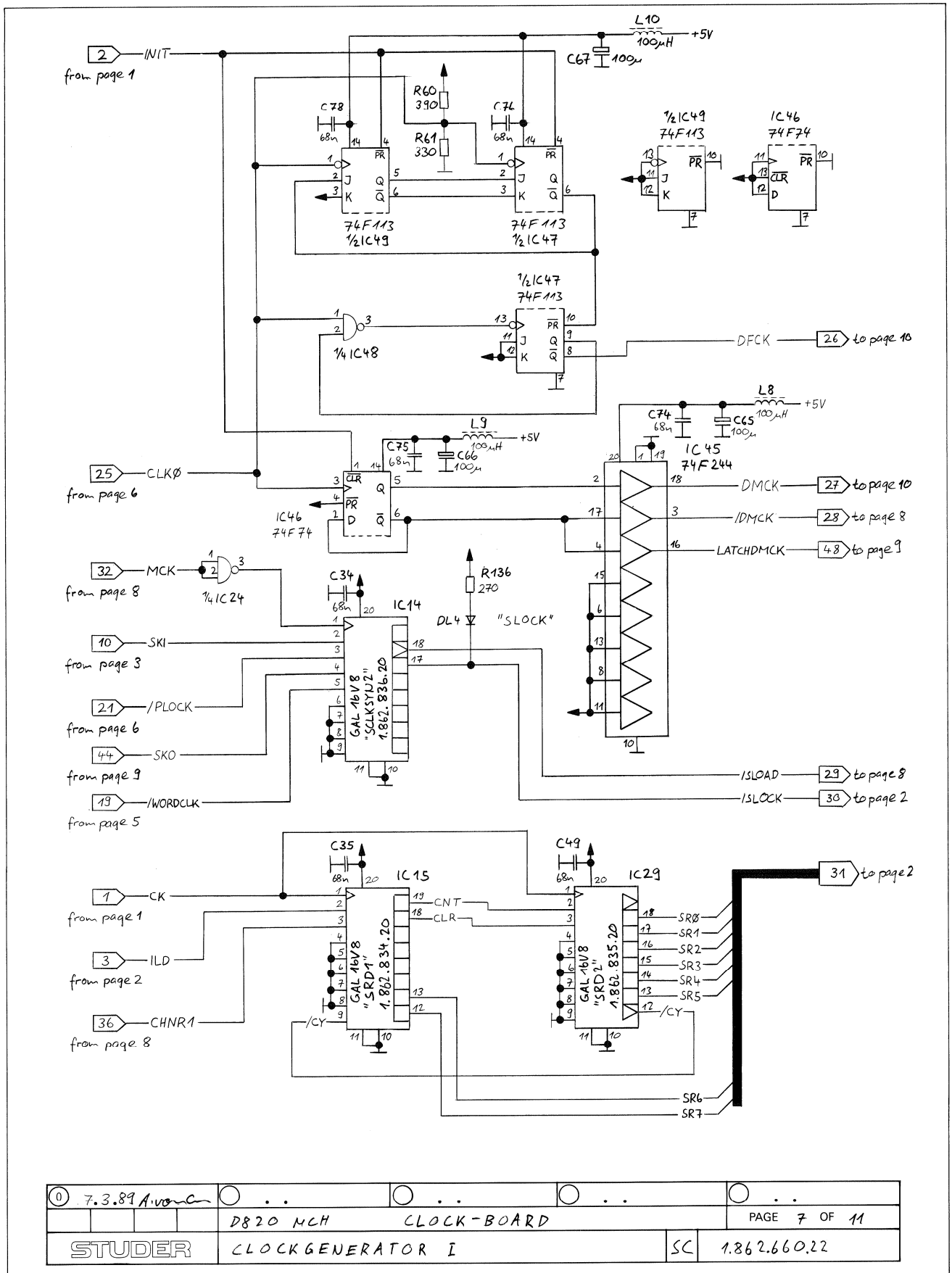


CLOCK BOARD 1.862.660.22



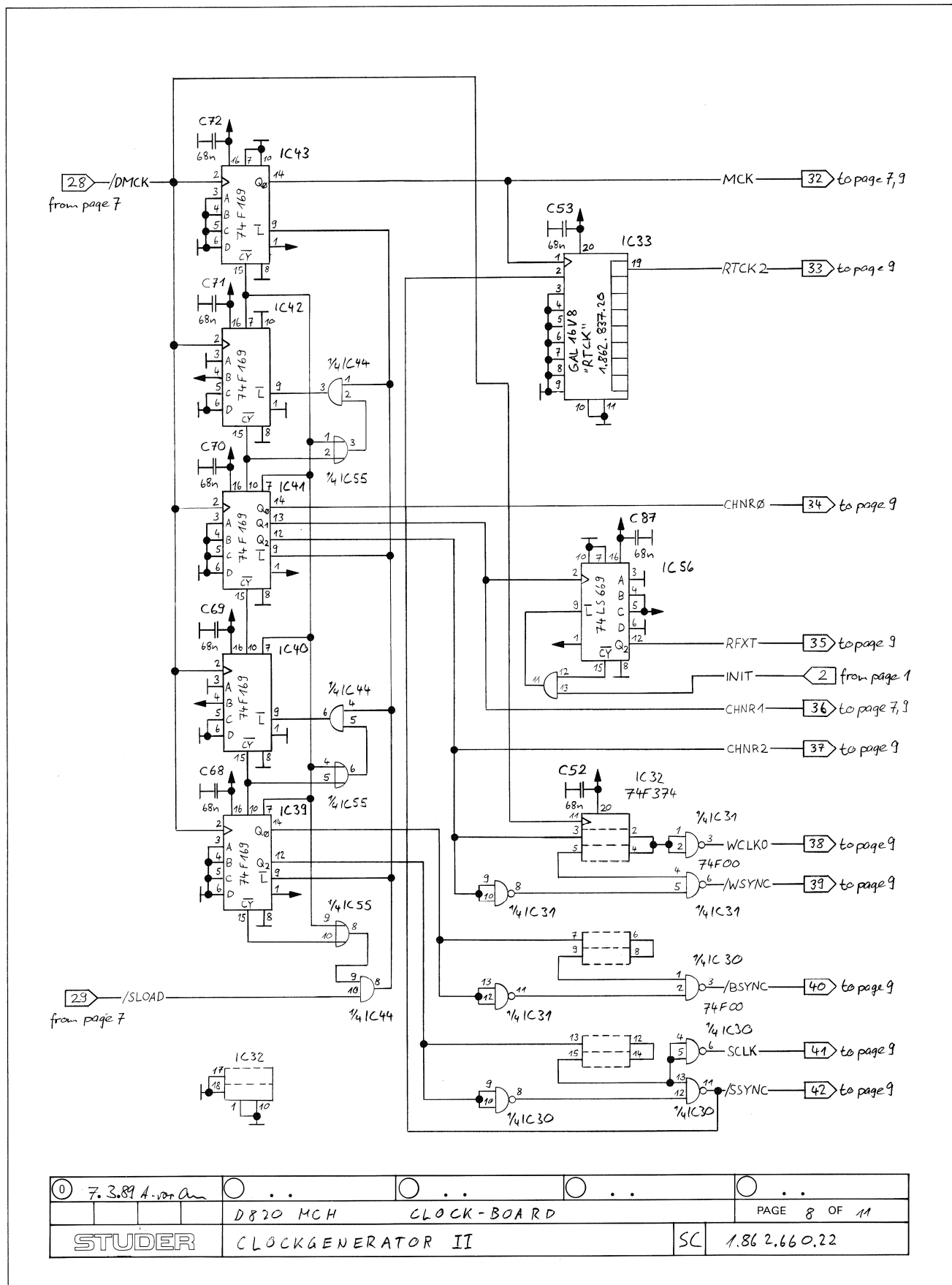
STUDER
D820 MCH
CLOCK-BOARD
SC
1.862.660.22
PAGE 5 OF 11

CLOCK BOARD 1.862.660.22

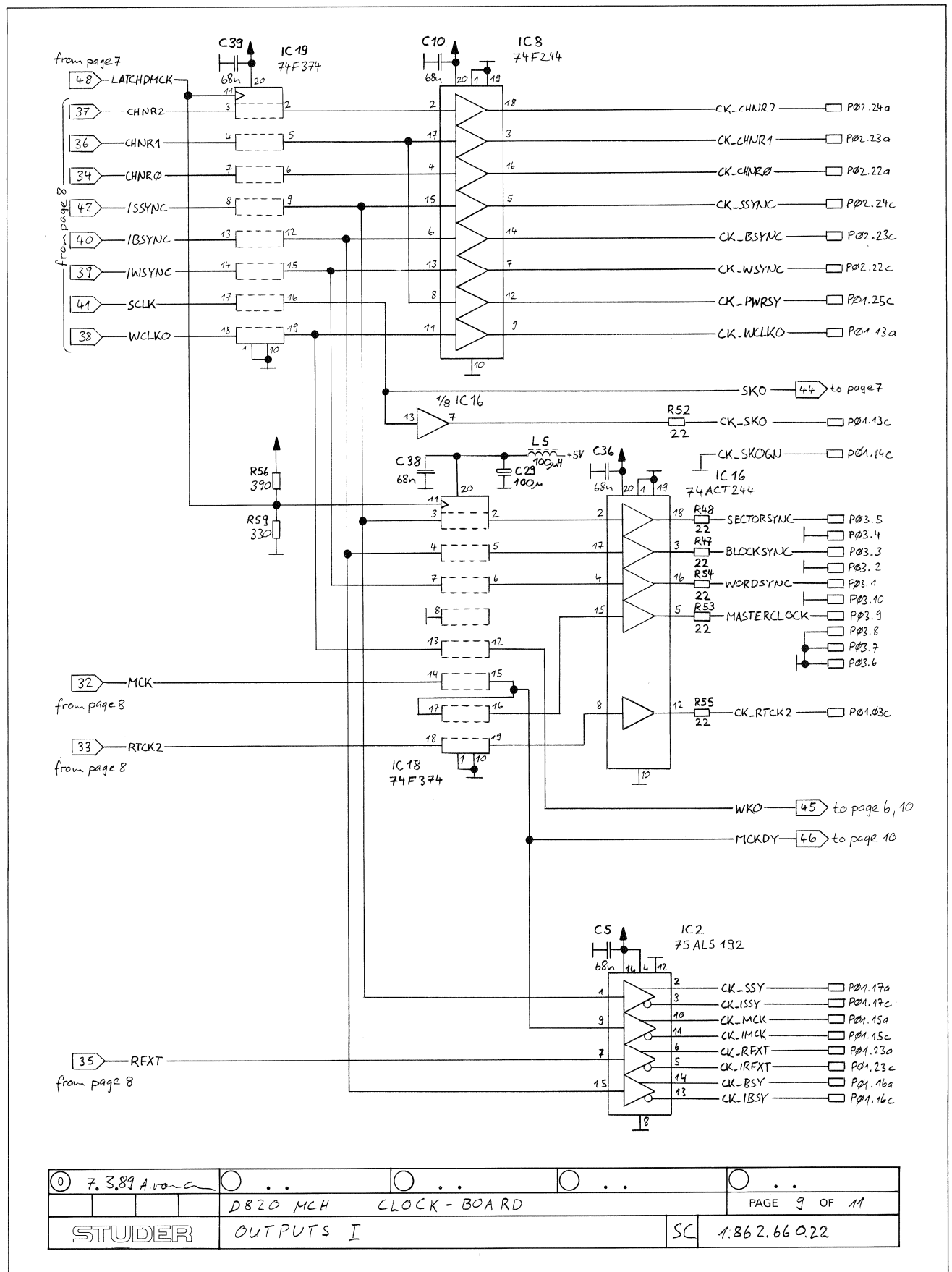


① 7.3.89 A.von C.	○ . . .	○ . . .	○ . . .	○ . . .
	D820 MCH	CLOCK-BOARD		PAGE 7 OF 11
STUDER	CLOCK GENERATOR I		SC	1.862.660.22

CLOCK BOARD 1.862.660.22

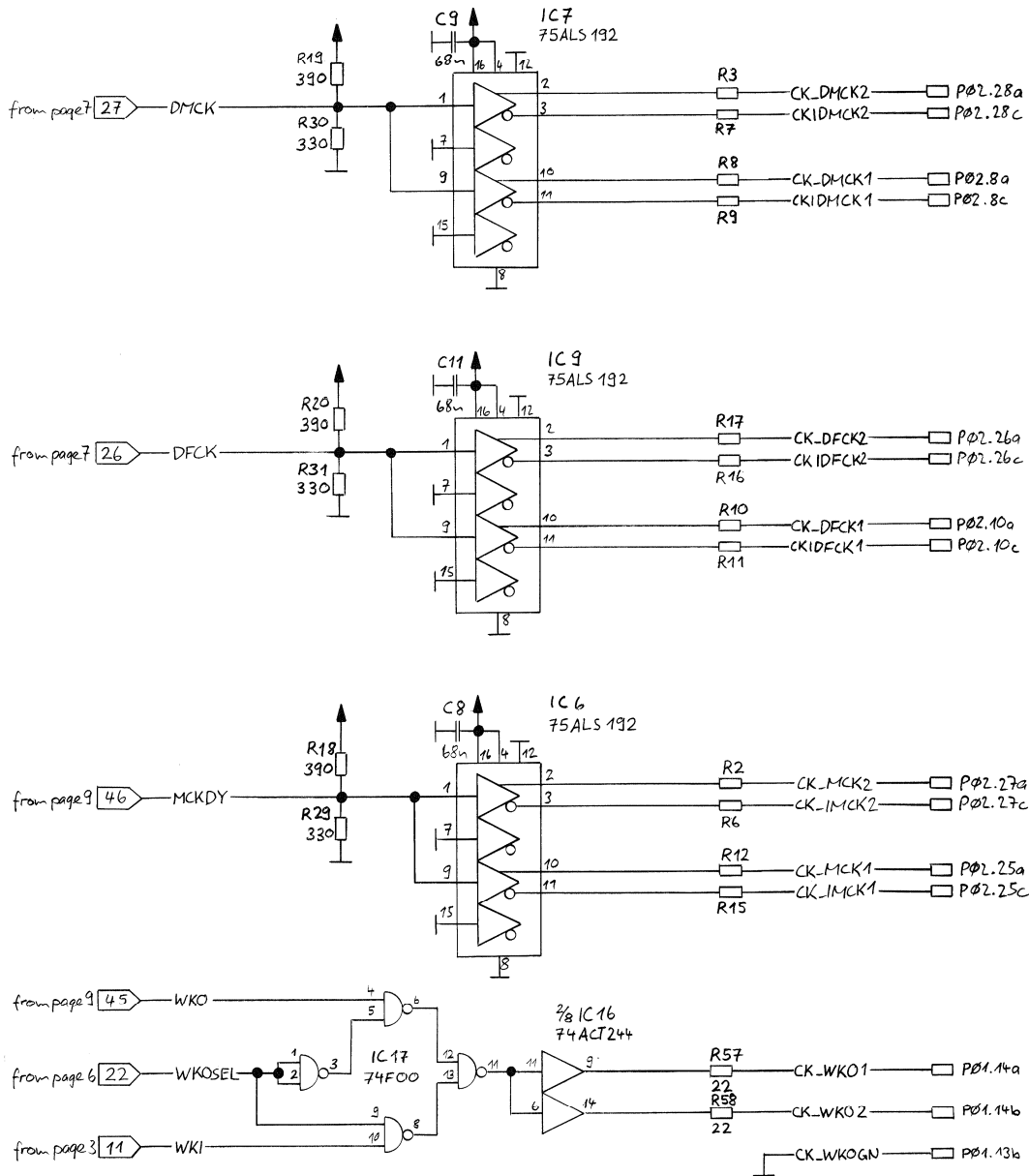


CLOCK BOARD 1.862.660.22



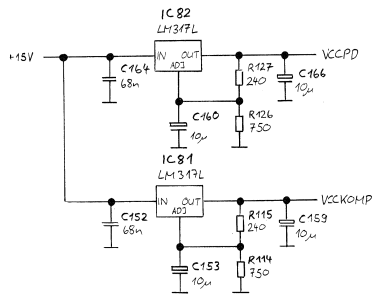
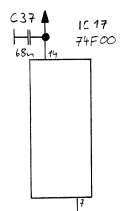
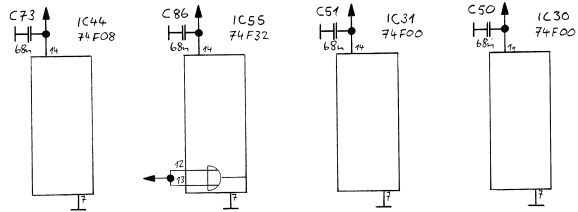
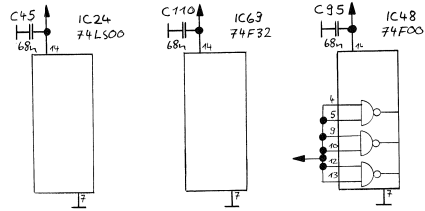
7.3.89 A.van a
D820 MCH CLOCK-BOARD			PAGE 9 OF 11	
STUDER	OUTPUTS I		SC	1.862.660.22

CLOCK BOARD 1.862.660.22



① 7.3.89 A.von	○ ..	○ ..	○ ..	○ ..
	D820 MCH	CLOCK-BOARD		PAGE 10 OF 11
STUDER	OUTPUTS II		SC	1.862.660.22

CLOCK BOARD 1.862.660.22



① 7.3.89 A. von C...	○ . . .	○ . . .	○ . . .	○ . . .
D820 MCH CLOCK-BOARD			PAGE 11 OF 11	
STUDER		SC	1.862.660.22	

STUDER D820 MCH

CLOCK BOARD 1.862.660.22

IND.	POS.NO.	PART NO.	VALUE	SPECIFICATIONS / EQUIVALENT	MANUF.	IND.	POS.NO.	PART NO.	VALUE	SPECIFICATIONS / EQUIVALENT	MANUF.	IND.	POS.NO.	PART NO.	VALUE	SPECIFICATIONS / EQUIVALENT	MANUF.	IND.	POS.NO.	PART NO.	VALUE	SPECIFICATIONS / EQUIVALENT	MANUF.	
C.....1	99.06.0689	068 a	10%	63V / PFTF	ARY	C.....112	99.06.0689	068 a	10%	63V / PFTF	ARY	IC...27	50.14.0114		63 S 281 N	(SN 1.862.839.20)	ARY	P.....2	54.01.0088			CONNECTOR 3 * 52	ARY	
C.....2	99.22.3101	10 a	-20%	35V / EL	ARY	C.....113	99.06.0689	068 a	10%	63V / PFTF	ARY	IC...28	50.06.0273		SM 74 LS 273 N		ARY	P.....3	54.14.2001			10-PIN PRINT CONNECTOR	ARY	
C.....3	99.06.0105	1.0 a	10%	50V / PFTF	ARY	C.....114	99.06.0222	2200 a	10%	63V / PFTF	ARY	IC...29	50.18.0100		16 V 8 - 25 LP		ARY	P.....12	54.01.0020			Stiftleiste ***** XT19	ARY	
C.....4	99.22.1871	470 a	10%	400V / CES	ARY	C.....115	99.06.0222	2200 a	10%	63V / PFTF	ARY	IC...30	50.21.0000		74 F 00		ARY							
C.....5	99.06.0689	068 a	10%	63V / PFTF	ARY	C.....116	99.22.6100	10 a	-20%	35V / EL	ARY	IC...31	50.21.0000		74 F 00		ARY							
C.....6	99.22.6100	10 a	-20%	35V / EL	ARY	C.....117	99.06.0689	068 a	10%	63V / PFTF	ARY	IC...32	50.21.0374		SM 74 LS 374 N		ARY							
C.....7	99.06.0689	068 a	10%	63V / PFTF	ARY	C.....118	99.22.6100	10 a	-20%	35V / EL	ARY	IC...33	50.18.0100		16 V 8 - 25 LP		ARY							
C.....8	99.06.0689	068 a	10%	63V / PFTF	ARY	C.....119	99.06.0689	068 a	10%	63V / PFTF	ARY	IC...34	50.06.0295		SM 74 LS 395 N		ARY							
C.....9	99.06.0689	068 a	10%	63V / PFTF	ARY	C.....120	99.06.0105	1.0 a	10%	50V / PFTF	ARY	IC...35	50.06.0295		SM 74 LS 395 N		ARY							
C.....10	99.06.0689	068 a	10%	63V / PFTF	ARY	C.....121	99.06.0222	2200 a	10%	63V / PFTF	ARY	IC...36	50.06.0295		SM 74 LS 395 N		ARY							
C.....11	99.06.0689	068 a	10%	63V / PFTF	ARY	C.....122	99.06.0689	068 a	10%	63V / PFTF	ARY	IC...37	50.06.0295		SM 74 LS 395 N		ARY							
C.....12	99.06.0689	068 a	10%	63V / PFTF	ARY	C.....123	99.06.0222	2200 a	10%	63V / PFTF	ARY	IC...38	50.06.0295		SM 74 LS 395 N		ARY							
C.....13	99.06.0689	068 a	10%	63V / PFTF	ARY	C.....124	99.22.5101	100 a	-20%	25V / EL	ARY	IC...39	50.21.0169		74 F 169		ARY							
C.....14	99.06.0689	068 a	10%	63V / PFTF	ARY	C.....125	99.22.5101	100 a	-20%	25V / EL	ARY	IC...40	50.21.0169		74 F 169		ARY							
C.....15	99.22.3471	470 a	-20%	10V / EL	ARY	C.....126	99.06.0689	068 a	10%	63V / PFTF	ARY	IC...41	50.21.0169		74 F 169		ARY							
C.....16	99.06.0689	068 a	10%	63V / PFTF	ARY	C.....127	99.06.0689	068 a	10%	63V / PFTF	ARY	IC...42	50.06.0169		74 F 169		ARY							
C.....17	99.22.5221	220 a	-20%	25V / EL	ARY	C.....128	99.06.0222	2200 a	10%	63V / PFTF	ARY	IC...43	50.21.0169		74 F 169		ARY							
C.....18	99.22.6470	47 a	-20%	40V / EL	ARY	C.....129	99.06.0222	2200 a	10%	63V / PFTF	ARY	IC...44	50.06.0222	068 a	74 F 00		ARY							
C.....19	99.22.5221	220 a	-20%	25V / EL	ARY	C.....130	99.22.5101	100 a	-20%	25V / EL	ARY	IC...45	50.21.0244		74 F 244		ARY							
C.....20	99.22.6470	47 a	-20%	40V / EL	ARY	C.....131	99.06.0224	22 a	10%	63V / PFTF	ARY	IC...46	50.06.0224		74 F 74		ARY							
C.....21	99.06.0689	068 a	10%	63V / PFTF	ARY	C.....132	99.22.5101	100 a	-20%	25V / EL	ARY	IC...47	50.21.0113		74 F 113		ARY							
C.....22	99.06.0689	068 a	10%	63V / PFTF	ARY	C.....133	99.22.5101	100 a	-20%	25V / EL	ARY	IC...48	50.21.0113		74 F 113		ARY							
C.....23	99.06.0689	068 a	10%	63V / PFTF	ARY	C.....134	99.06.0105	1.0 a	10%	50V / PFTF	ARY	IC...49	50.21.0113		74 F 113		ARY							
C.....24	99.22.6100	10 a	-20%	35V / EL	ARY	C.....135	99.06.0689	068 a	10%	63V / PFTF	ARY	IC...50	50.06.0103		TL 071 12		ARY							
C.....25	99.22.6100	10 a	-20%	35V / EL	ARY	C.....136	99.06.0689	068 a	10%	63V / PFTF	ARY	IC...51	50.18.0100		TL 191 CN		ARY							
C.....26	99.22.6100	10 a	-20%	35V / EL	ARY	C.....137	99.06.0222	2200 a	10%	63V / PFTF	ARY	IC...52	50.06.0074		SM 74 LS 669 N		ARY							
C.....27	99.06.0689	068 a	10%	63V / PFTF	ARY	C.....138	99.22.6100	10 a	-20%	35V / EL	ARY	IC...53	50.06.0669		SM 74 LS 669 N		ARY							
C.....28	99.22.3101	100 a	-20%	10V / PFTF	ARY	C.....139	99.06.0105	1.0 a	10%	50V / PFTF	ARY	IC...54	50.06.0669		SM 74 LS 669 N		ARY							
C.....29	99.22.5101	100 a	-20%	25V / EL	ARY	C.....140	99.06.0689	068 a	10%	63V / PFTF	ARY	IC...55	50.01.0032		74 F 32		ARY							
C.....30	99.06.0689	068 a	10%	63V / PFTF	ARY	C.....141	99.06.0689	068 a	10%	63V / PFTF	ARY	IC...56	50.06.0669		SM 74 LS 669 N		ARY							
C.....31	99.06.0689	068 a	10%	63V / PFTF	ARY	C.....142	99.06.0689	068 a	10%	63V / PFTF	ARY	IC...57	50.18.0100		16 V 8 - 25 LP		ARY							
C.....32	99.06.0689	068 a	10%	63V / PFTF	ARY	C.....143	99.06.0689	068 a	10%	63V / PFTF	ARY	IC...58	50.21.0074		74 F 74		ARY							
C.....33	99.06.0689	068 a	10%	63V / PFTF	ARY	C.....144	99.06.0689	068 a	10%	63V / PFTF	ARY	IC...59	50.21.0169		74 F 169		ARY							
C.....34	99.06.0689	068 a	10%	63V / PFTF	ARY	C.....145	99.06.0689	068 a	10%	63V / PFTF	ARY	IC...60	50.06.0169		74 F 169		ARY							
C.....35	99.06.0689	068 a	10%	63V / PFTF	ARY	C.....146	99.06.0689	068 a	10%	63V / PFTF	ARY	IC...61	50.21.0169		74 F 169		ARY							
C.....36	99.06.0689	068 a	10%	63V / PFTF	ARY	C.....147	99.06.0224	22 a	10%	63V / PFTF	ARY	IC...62	50.06.0224		SM 74 LS 242		ARY							
C.....37	99.06.0689	068 a	10%	63V / PFTF	ARY	C.....148	99.06.0689	068 a	10%	63V / PFTF	ARY	IC...63	50.10.0108		LM 317 LZ		ARY							

S T U D E R (00) 91/14/02 LAR CLOCK BOARD PL 1.862.660.22 PAGE 1 S T U D E R (00) 91/14/02 LAR CLOCK BOARD PL 1.862.660.22 PAGE 4 S T U D E R (00) 91/14/02 LAR CLOCK BOARD PL 1.862.660.22 PAGE 7 S T U D E R (00) 91/14/02 LAR CLOCK BOARD PL 1.862.660.22 PAGE 10

IND.	POS.NO.	PART NO.	VALUE	SPECIFICATIONS / EQUIVALENT	MANUF.	IND.	POS.NO.	PART NO.	VALUE	SPECIFICATIONS / EQUIVALENT	MANUF.	IND.	POS.NO.	PART NO.	VALUE	SPECIFICATIONS / EQUIVALENT	MANUF.	IND.	POS.NO.	PART NO.	VALUE	SPECIFICATIONS / EQUIVALENT	MANUF.
C.....38	99.06.0689	068 a	10%	63V / PFTF	ARY	C.....149	99.22.5101	100 a	-20%	25V / EL	ARY	IC...64	50.10.0108		LM 317 LZ		ARY	R.....26	97.11.3471	470	15	Ω20T / MF	ARY
C.....39	99.06.0689	068 a	10%	63V / PFTF	ARY	C.....150	99.06.0105	1.0 a	10%	50V / PFTF	ARY	IC...65	50.11.0150		TL 191 CN		ARY	R.....27	97.11.3471	330	15	Ω20T / MF	ARY
C.....40	99.06.0689	068 a	10%	63V / PFTF	ARY	C.....151	99.06.0689	068 a	10%	63V / PFTF	ARY	IC...66	50.06.0669		SM 74 LS 669 N		ARY	R.....28	97.11.3103	10 k	15	Ω20T / MF	ARY
C.....41	99.06.0689	068 a	10%	63V / PFTF	ARY	C.....152	99.06.0689	068 a	10%	63V / PFTF	ARY	IC...67	50.06.0669		SM 74 LS 669 N		ARY	R.....29	97.11.3103	330	15	Ω20T / MF	ARY
C.....42	99.06.0105	1.0 a	10%	50V / PFTF	ARY	C.....153	99.22.6100	10 a	-20%	35V / EL	ARY	IC...68	50.06.0669		SM 74 LS 669 N		ARY	R.....30	97.11.3331	330	15	Ω20T / MF	ARY
C.....43	99.06.0104	0.1 a	10%	50V / PFTF	ARY	C.....154	99.22.6470	47 a	-20%	40V / EL	ARY	IC...69	50.22.0470	47 a	10%	63V / PFTF	ARY	R.....31	97.11.3331	330	15	Ω20T / MF	ARY
C.....44	99.06.0689	068 a	10%	63V / PFTF	ARY	C.....155	99.22.6100	10 a	-20%	35V / EL	ARY	IC...70	50.06.0223		74 LS 223		ARY	R.....32	97.11.3103	10 k	15	Ω20T / MF	ARY
C.....45	99.06.0689	068 a	10%	63V / PFTF	ARY	C.....156	99.06.0105	1.0 a	10%	50V / PFTF	ARY	IC...71	50.06.0149		MC 4344 L		ARY	R.....33	97.11.3331	330	15	Ω20T / MF	ARY
C.....46	99.22.6100	10 a	-20%	35V / EL	ARY	C.....157	99.06.0689	068 a	10%	63V / PFTF	ARY	IC...72	50.18.0100		16 V 8 - 25 LP		ARY	R.....34	97.11.3392	3 k	15	Ω20T / MF	ARY
C.....47	99.06.0689	068 a	10%	63V / PFTF	ARY	C.....158	99.06.0689	068 a	10%	63V / PFTF	ARY	IC...73	50.06.0669		SM 74 LS 669 N		ARY	R.....35	97.11.3471	1 k	15	Ω20T / MF	ARY
C.....48	99.22.5101	100 a	-20%	25V / EL	ARY	C.....159	99.22.6100	10 a	-20%	35V / EL	ARY	IC...74	50.06.0669		74 LS 669		ARY	R.....36	97.11.3472	4.7 k	15	Ω20T / MF	ARY
C.....49	99.06.0689	068 a	10%	63V / PFTF	ARY	C.....160	99.22.6100	10 a	-20%	35V / EL	ARY	IC...75	50.06.0074		SM 74 LS 74 N		ARY	R.....37	97.11.3472	1 k	15	Ω20T / MF	ARY
C.....50	99.06.0689	068 a	10%	63V / PFTF	ARY	C.....161	99.06.0689	068 a	10%	63V / PFTF	ARY	IC...76	50.18.0100		16 V								

CLOCK BOARD 1.862.660.22

IND.	POS.NO.	PART NO.	VALUE	SPECIFICATIONS / EQUIVALENT	MANUF.
R...	101	57.11.3101	100	1% 0207 / MF	ANY
R...	102	57.11.3103	10 k	1% 0207 / MF	ANY
R...	103	57.11.3103	10 k	1% 0207 / MF	ANY
R...	104	57.11.3103	10 k	1% 0207 / MF	ANY
R...	105	57.11.3103	10 k	1% 0207 / MF	ANY
R...	106	57.11.3102	1	1% 0207 / MF	ANY
R...	107	57.11.3392	3.9 k	1% 0207 / MF	ANY
R...	108	57.11.3153	15 k	1% 0207 / MF	ANY
R...	109	57.11.3102	1	1% 0207 / MF	ANY
R...	110	57.11.3471	470	1% 0207 / MF	ANY
R...	111	57.11.3102	1	1% 0207 / MF	ANY
R...	112	57.11.3101	100	1% 0207 / MF	ANY
R...	113	57.11.3223	22 k	1% 0207 / MF	ANY
R...	114	57.11.3751	750	1% 0207 / MF	ANY
R...	115	57.11.3241	240	1% 0207 / MF	ANY
R...	116	57.11.3682	6.8 k	1% 0207 / MF	ANY
R...	117	57.11.3101	100	1% 0207 / MF	ANY
R...	118	57.11.3184	180 k	1% 0207 / MF	ANY
R...	119	57.11.3103	10 k	1% 0207 / MF	ANY
R...	120	57.11.3243	24 k	1% 0207 / MF	ANY
R...	121	57.11.3153	15 k	1% 0207 / MF	ANY
R...	122	57.11.3473	47 k	1% 0207 / MF	ANY
R...	123	57.11.3153	15 k	1% 0207 / MF	ANY
R...	124	57.11.3243	24 k	1% 0207 / MF	ANY
R...	125	57.11.3751	750	1% 0207 / MF	ANY
R...	126	57.11.3241	240	1% 0207 / MF	ANY
R...	127	57.11.3101	100	1% 0207 / MF	ANY
R...	128	57.11.3151	150	1% 0207 / MF	ANY
R...	129	57.11.3271	270	1% 0207 / MF	ANY
R...	130	57.11.3271	270	1% 0207 / MF	ANY
R...	131	57.11.3271	270	1% 0207 / MF	ANY
R...	132	57.11.3271	270	1% 0207 / MF	ANY
R...	133	57.11.3271	270	1% 0207 / MF	ANY
R...	134	57.11.3271	270	1% 0207 / MF	ANY
R...	135	57.11.3271	270	1% 0207 / MF	ANY
R...	136	57.11.3271	270	1% 0207 / MF	ANY
R...	137	57.11.3271	270	1% 0207 / MF	ANY

S T U D E R (00) 91/14/02 LAR CLOCK BOARD PL 1.862.660.22 PAGE 13

IND.	POS.NO.	PART NO.	VALUE	SPECIFICATIONS / EQUIVALENT	MANUF.
R...	138	57.11.3271	270	1% 0207 / MF	ANY
R...	139	57.11.3271	270	1% 0207 / MF	ANY
R...	140	57.11.3101	100	1% 0207 / MF	ANY
R...	141	57.11.3123	12 k	1% 0207 / MF	ANY
RA...	1	58.05.0103	10 k	10%, 5 W, FWS	ANY
RA...	2	58.05.0103	10 k	10%, 5 W, FWS	ANY
T....	1	1.726.250.21		IF-COL 3.1	St
TE...	1	54.02.0320		TESTPOINT	ANY
TE...	2	54.02.0320		TESTPOINT	ANY
TE...	3	54.02.0320		TESTPOINT	ANY
TE...	4	54.02.0320		TESTPOINT	ANY
TE...	5	54.02.0320		TESTPOINT	ANY
TE...	6	54.02.0320		TESTPOINT	ANY
TE...	7	54.02.0320		TESTPOINT	ANY
TE...	8	54.02.0320		TESTPOINT	ANY
XF...	1	53.03.0118	5 * 20	FUSE-HOLDER	ANY
XF...	2	53.03.0118	5 * 20	FUSE-HOLDER	ANY
XIC...	2	53.03.0169		DIL 16-POL	ANY
XIC...	3	53.03.0169		DIL 16-POL	ANY
XIC...	6	53.03.0169		DIL 16-POL	ANY
XIC...	7	53.03.0169		DIL 16-POL	ANY
XIC...	8	53.03.0169		DIL 16-POL	ANY
XIC...	9	53.03.0169		DIL 16-POL	ANY
XIC...	10	53.03.0179		DIL 20-POL	ANY
XIC...	11	53.03.0169		DIL 16-POL	ANY
XIC...	12	53.03.0169		DIL 16-POL	ANY
XIC...	13	53.03.0165		DIL 20-POL	ANY
XIC...	14	53.03.0165		DIL 20-POL	ANY
XIC...	15	53.03.0165		DIL 20-POL	ANY
XIC...	16	53.03.0165		DIL 20-POL	ANY
XIC...	22	53.03.0179		DIL 20-POL	ANY
XIC...	27	53.03.0165		DIL 20-POL	ANY
XIC...	29	53.03.0165		DIL 20-POL	ANY

S T U D E R (00) 91/14/02 LAR CLOCK BOARD PL 1.862.660.22 PAGE 14

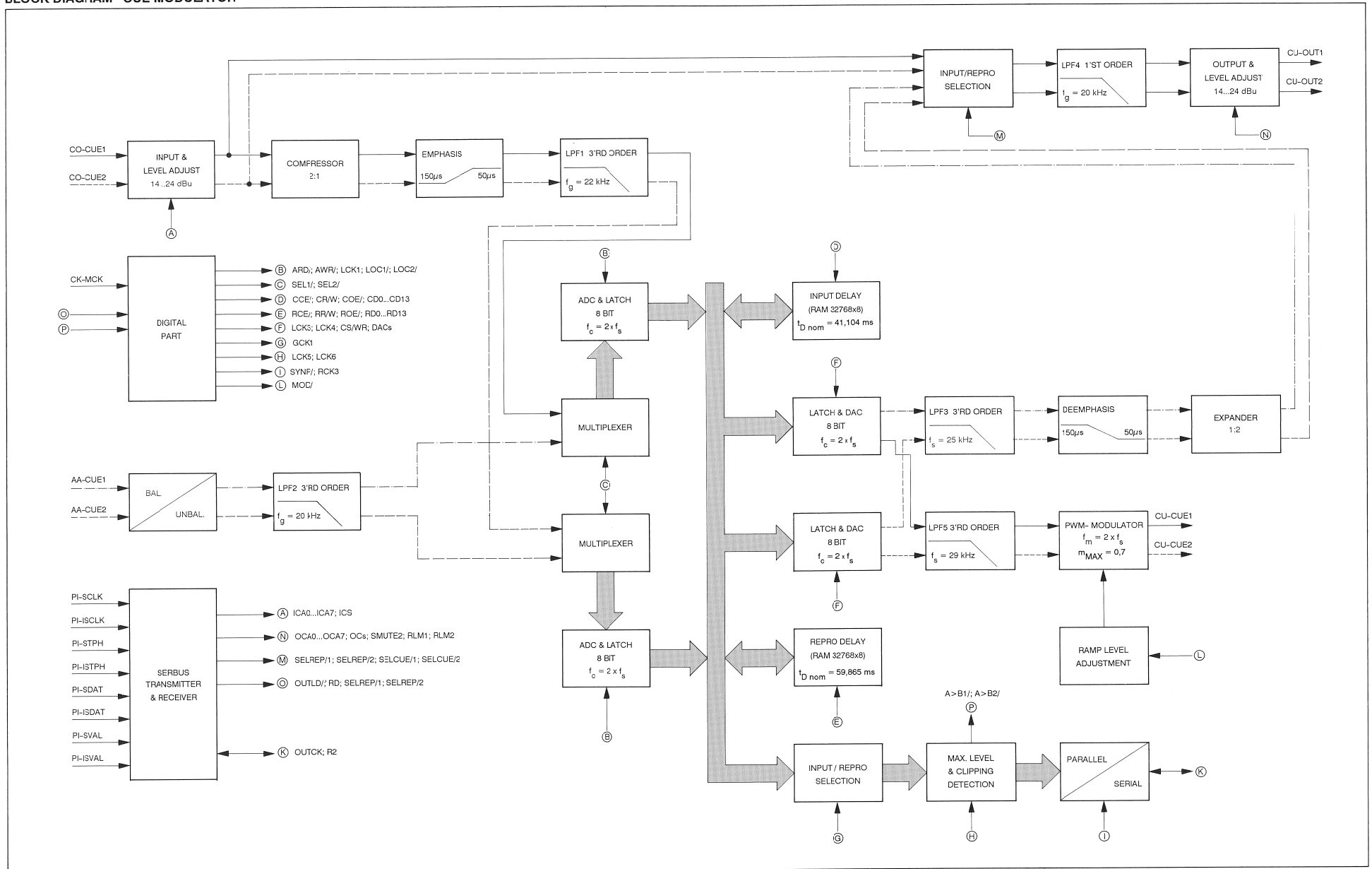
IND.	POS.NO.	PART NO.	VALUE	SPECIFICATIONS / EQUIVALENT	MANUF.
XIC...	35	53.03.0165		DIL 20-POL	ANY
XIC...	37	53.03.0165		DIL 20-POL	ANY
XIC...	72	53.03.0165		DIL 20-POL	ANY
XIC...	76	53.03.0165		DIL 20-POL	ANY
Y....	1	89.01.0590		Y-OSC 18.4326 NIIZ. SPEZ.	ANY

REMARKS:
 21: SW-Andaung SW 1.862.832.21 (IC 72) 05.23.90
 22: SW-Andaung SW 1.862.832.22 (IC 72) 14.22.91
 22: SW-Andaung SW 1.862.833.21 (IC 76) 14.22.91
 22: Kasi C 169, C170, C171 14.22.91

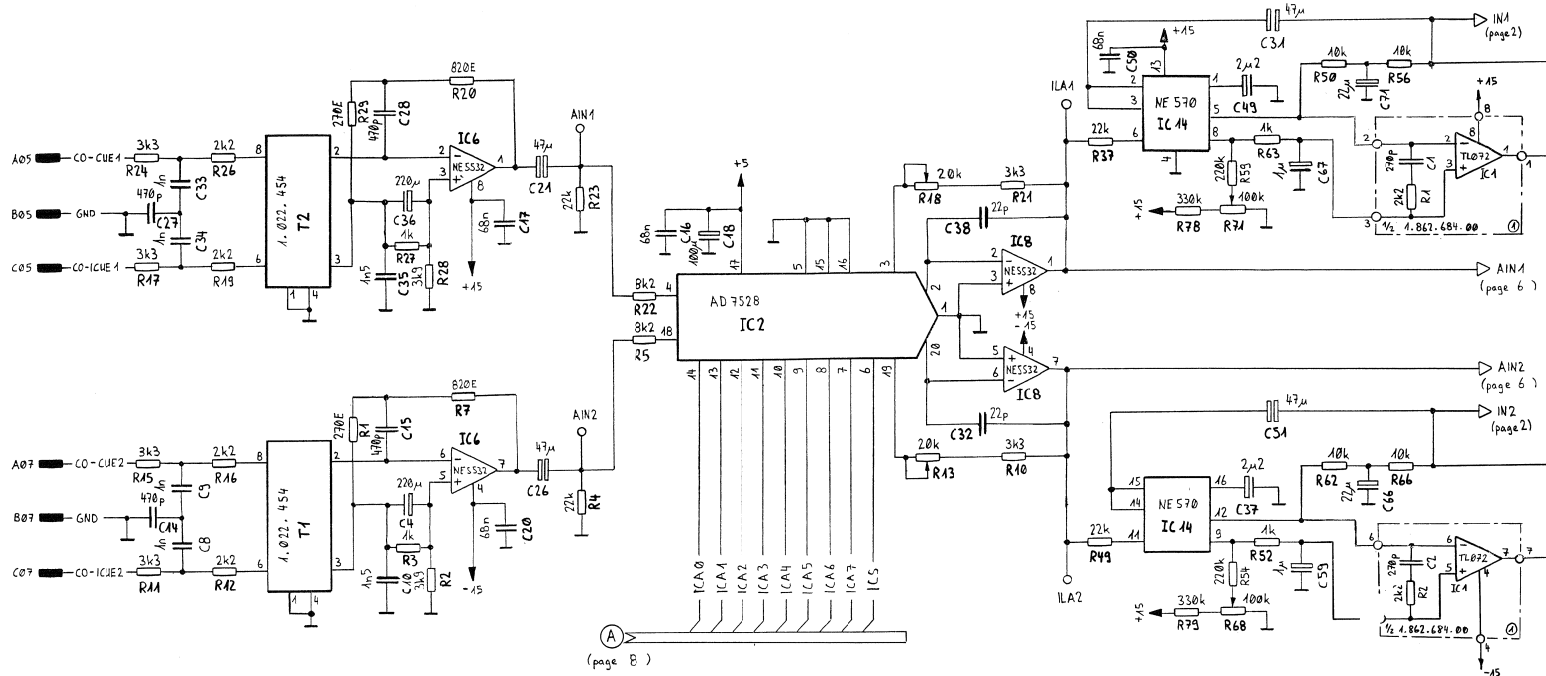
MANUFACTURERS:
 St = STUDER, Ph = PHILIPS, HB = HUBER BROWN, Ha = HARRIS, Fl = PHOTOCHROME
 ABBREVIATIONS:
 CSC = CERAMIC / FILM = FILM TYPE / XF = CLAMP FOR FUSES /
 XIC = IC SOCKET
 ORIG 91/14/02

S T U D E R (00) 91/14/02 LAR CLOCK BOARD PL 1.862.660.22 PAGE 15

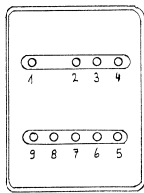
BLOCK DIAGRAM CUE MODULATOR



CUE MODULATOR 1.862.661.20



connection diagram of trafo 1.022.454 :



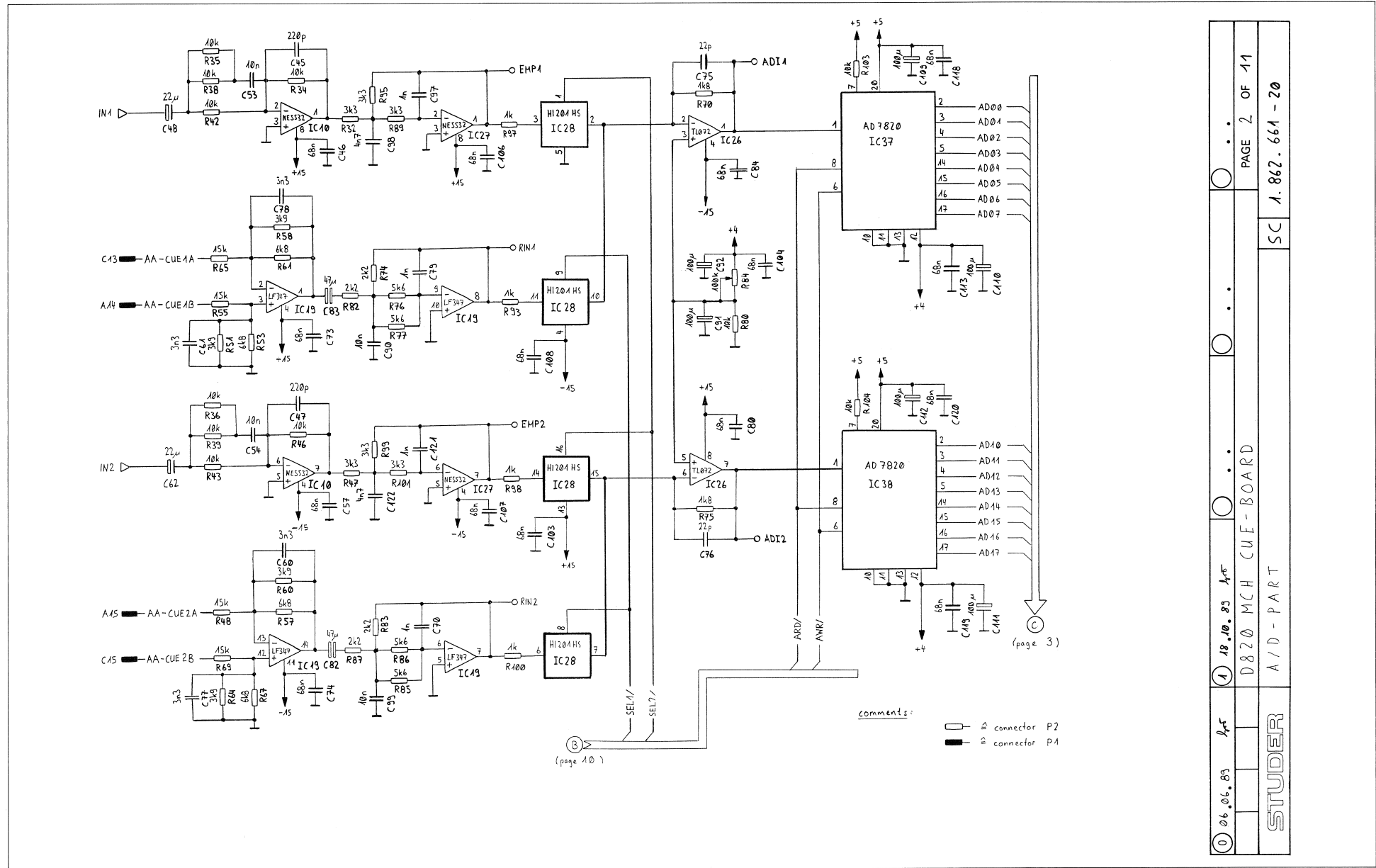
bottom view

comments:

- #A connector P2
- #B connector P1

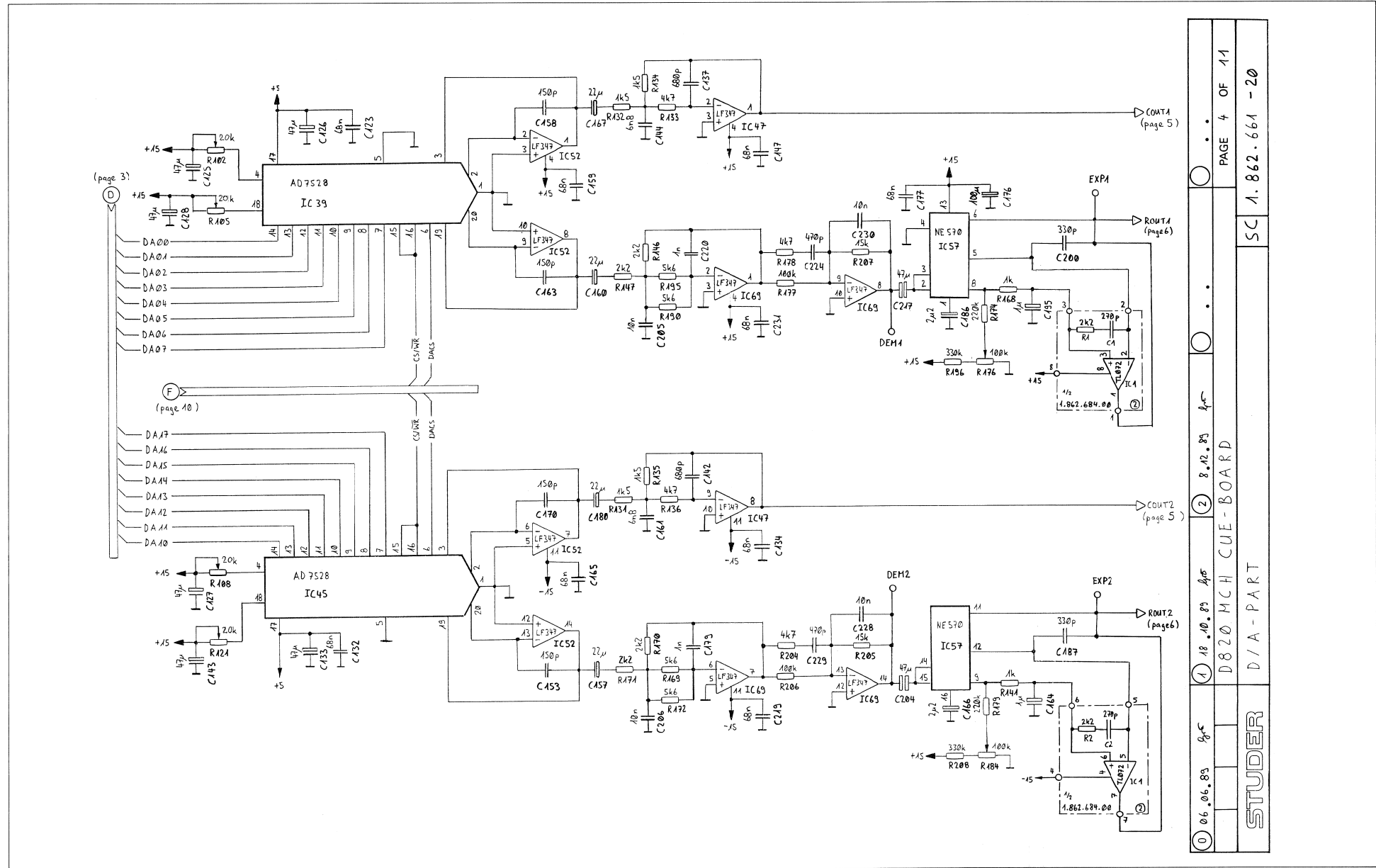
06.06.83	18.10.83	8.12.83	PAGE 1 OF 11	
D820 MCH CUE-BOARD			SC	1.862.661-20
STUDER				

CUE MODULATOR 1.862.661.20



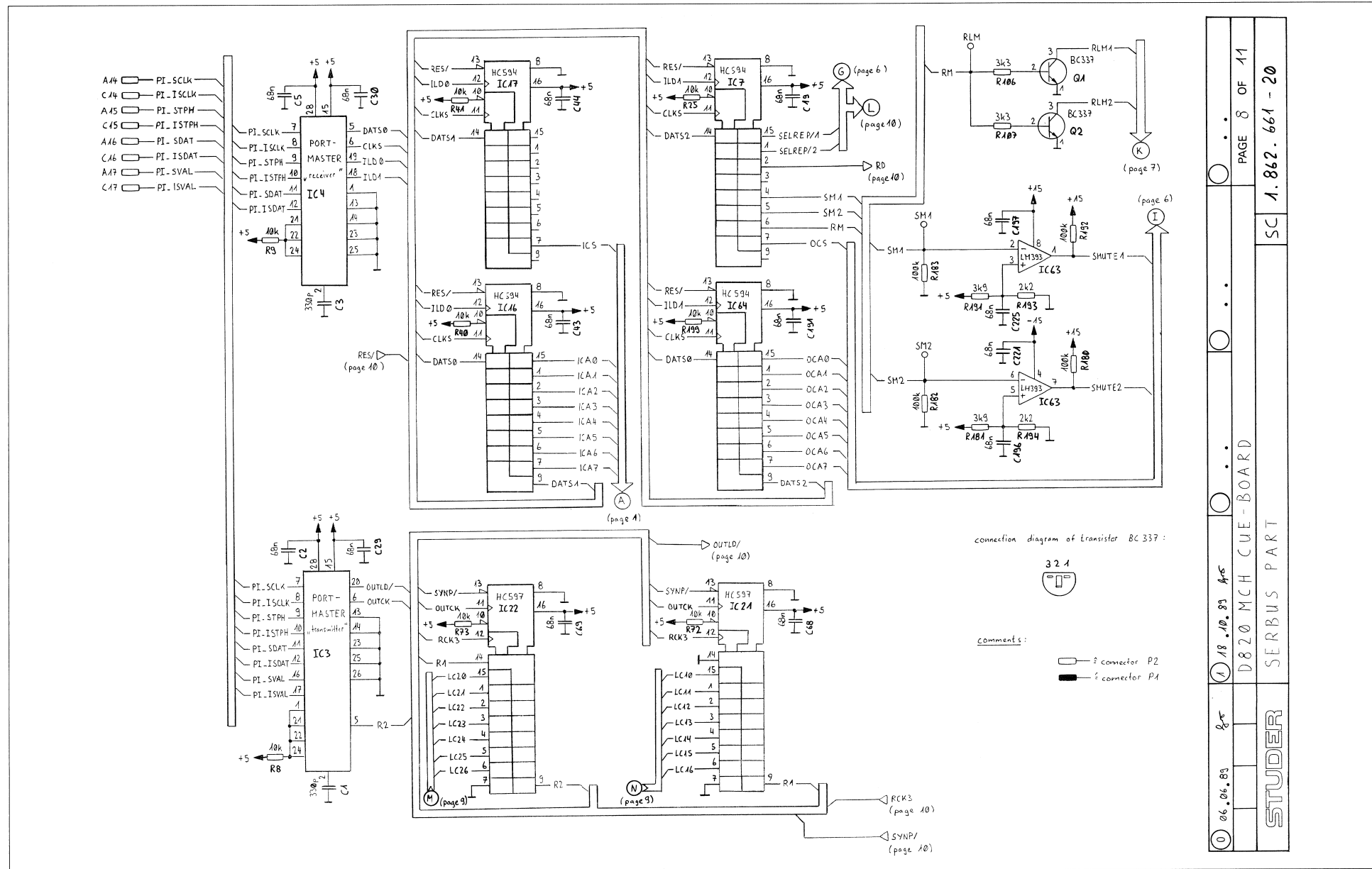
06.06.83	19.10.83	1.862.661.20	• • •	PAGE 2 OF 11
		D820 MCH CUE-BOARD	• • •	
		A/D - PART	SC	1.862.661-20

CUE MODULATOR 1.862.661.20



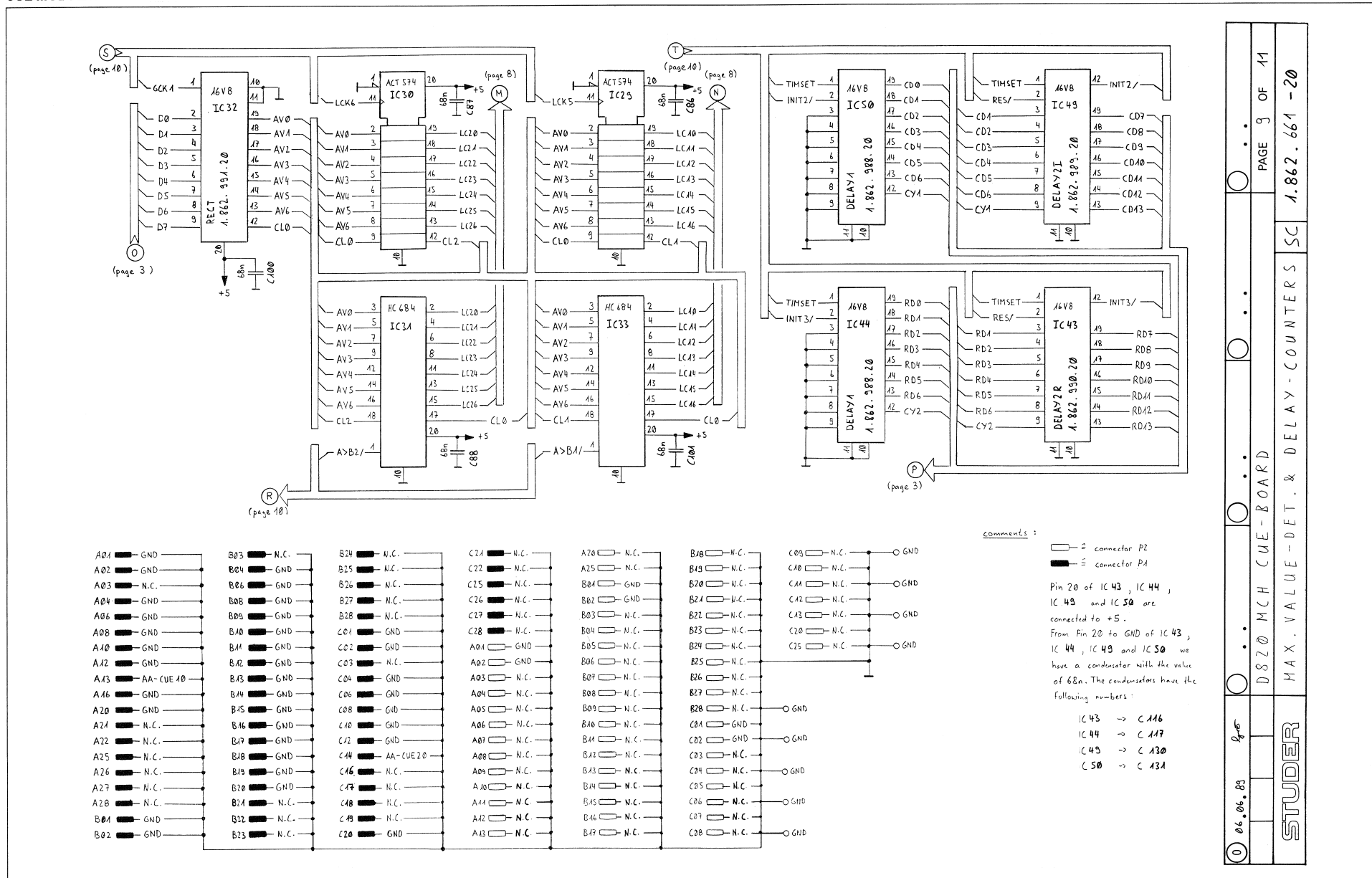
06.06.85	18.10.85	8.12.85	06.06.85	18.10.85	8.12.85	06.06.85	18.10.85	8.12.85
D820 MCH CUE-BOARD			D820 MCH CUE-BOARD			D820 MCH CUE-BOARD		
D/A - PART			D/A - PART			D/A - PART		
STUDER			STUDER			STUDER		
SC 1.862.661-20			SC 1.862.661-20			SC 1.862.661-20		
PAGE 4 OF 11			PAGE 4 OF 11			PAGE 4 OF 11		

CUE MODULATOR 1.862.661.20



06.06.83 85 18.10.83 45
 D820 MCH CUE-BOARD
 SERBUS PART
 SC 1.862.661 - 20
 PAGE 8 OF 11

CUE MODULATOR 1.862.661.20



A01	■	GND	B03	■	N.C.	B24	■	N.C.	C21	■	N.C.	A70	□	N.C.	B18	□	N.C.	C09	□	N.C.	○	GND
A02	■	GND	B04	■	GND	B25	■	N.C.	C22	■	N.C.	A25	□	N.C.	B19	□	N.C.	C10	□	N.C.	○	GND
A03	■	N.C.	B06	■	GND	B26	■	N.C.	C25	■	N.C.	B04	□	GND	B20	□	N.C.	C11	□	N.C.	○	GND
A04	■	GND	B08	■	GND	B27	■	N.C.	C26	■	N.C.	B02	□	GND	B21	□	N.C.	C12	□	N.C.	○	GND
A06	■	GND	B09	■	GND	B28	■	N.C.	C27	■	N.C.	B03	□	N.C.	B22	□	N.C.	C13	□	N.C.	○	GND
A08	■	GND	B10	■	GND	C01	□	GND	C28	■	N.C.	B04	□	N.C.	B23	□	N.C.	C20	□	N.C.	○	GND
A10	■	GND	B11	■	GND	C02	□	N.C.	A04	□	GND	B05	□	N.C.	B24	□	N.C.	C25	□	N.C.	○	GND
A12	■	GND	B12	■	GND	C03	□	N.C.	A02	□	GND	B06	□	N.C.	B25	□	N.C.					
A13	■	AA-CUE 10	B13	■	GND	C04	□	GND	A03	□	N.C.	B07	□	N.C.	B26	□	N.C.					
A16	■	GND	B14	■	GND	C06	□	GND	A04	□	N.C.	B08	□	N.C.	B27	□	N.C.					
A20	■	GND	B15	■	GND	C08	□	GND	A05	□	N.C.	B09	□	N.C.	B28	□	N.C.	○	GND			
A24	■	N.C.	B16	■	GND	C10	□	GND	A06	□	N.C.	B10	□	N.C.	C81	□	GND	○	GND			
A22	■	N.C.	B17	■	GND	C12	□	GND	A07	□	N.C.	B11	□	N.C.	C82	□	GND	○	GND			
A25	■	N.C.	B18	■	GND	C14	□	AA-CUE 20	A08	□	N.C.	B12	□	N.C.	C93	□	N.C.	○	GND			
A26	■	N.C.	B19	■	GND	C16	■	N.C.	A09	□	N.C.	B13	□	N.C.	C94	□	N.C.	○	GND			
A27	■	N.C.	B20	■	GND	C17	■	N.C.	A10	□	N.C.	B14	□	N.C.	C95	□	N.C.	○	GND			
A28	■	N.C.	B21	■	N.C.	C18	■	N.C.	A11	□	N.C.	B15	□	N.C.	C96	□	N.C.	○	GND			
B01	■	GND	B22	■	N.C.	C19	■	N.C.	A12	□	N.C.	B16	□	N.C.	C97	□	N.C.	○	GND			
B02	■	GND	B23	■	N.C.	C20	■	GND	A13	□	N.C.	B17	□	N.C.	C98	□	N.C.	○	GND			

comments :

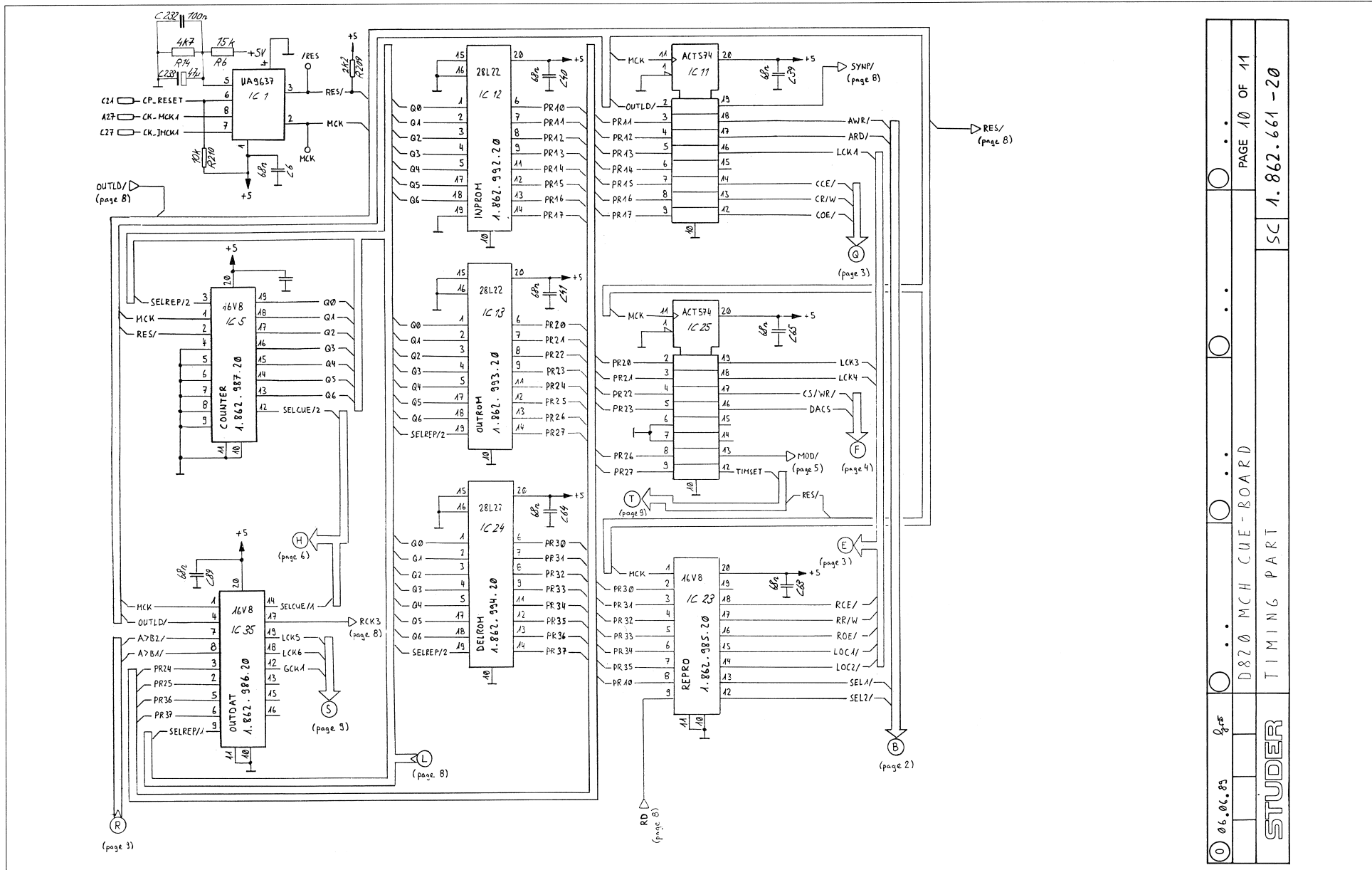
- in connector P2
- in connector P1

Pin 20 of IC 43, IC 44, IC 49 and IC 50 are connected to +5.

From Pin 20 to GND of IC 43, IC 44, IC 49 and IC 50 we have a capacitor with the value of 68n. The capacitors have the following numbers :

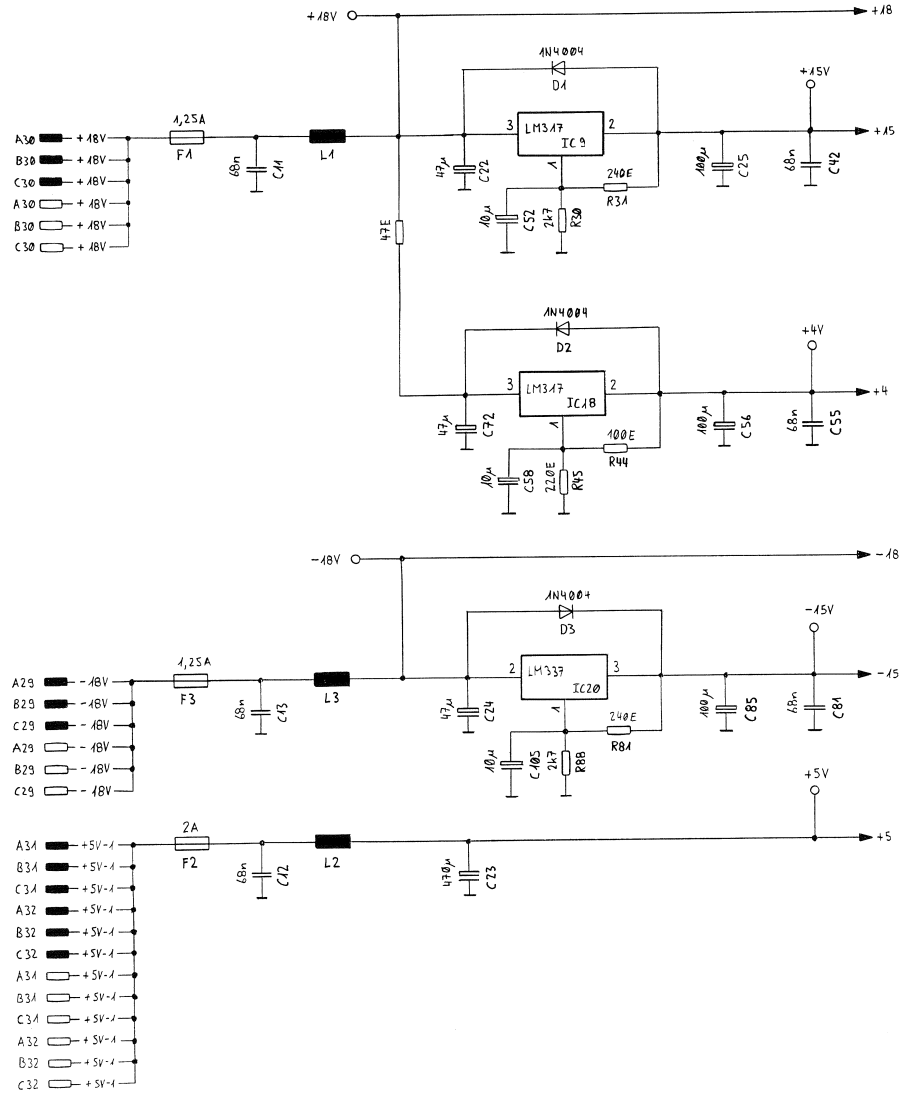
- IC 43 → C 116
- IC 44 → C 117
- IC 49 → C 130
- IC 50 → C 131

CUE MODULATOR 1.862.661.20



0	06.06.83	pages	D820 MCH CUE - BOARD	PAGE 10 OF 11
STUDER			TIMING PART	SC 1.862.661-20



CUE MODULATOR 1.862.661.20



connection diagram of LM317 & LM337 (T0220):

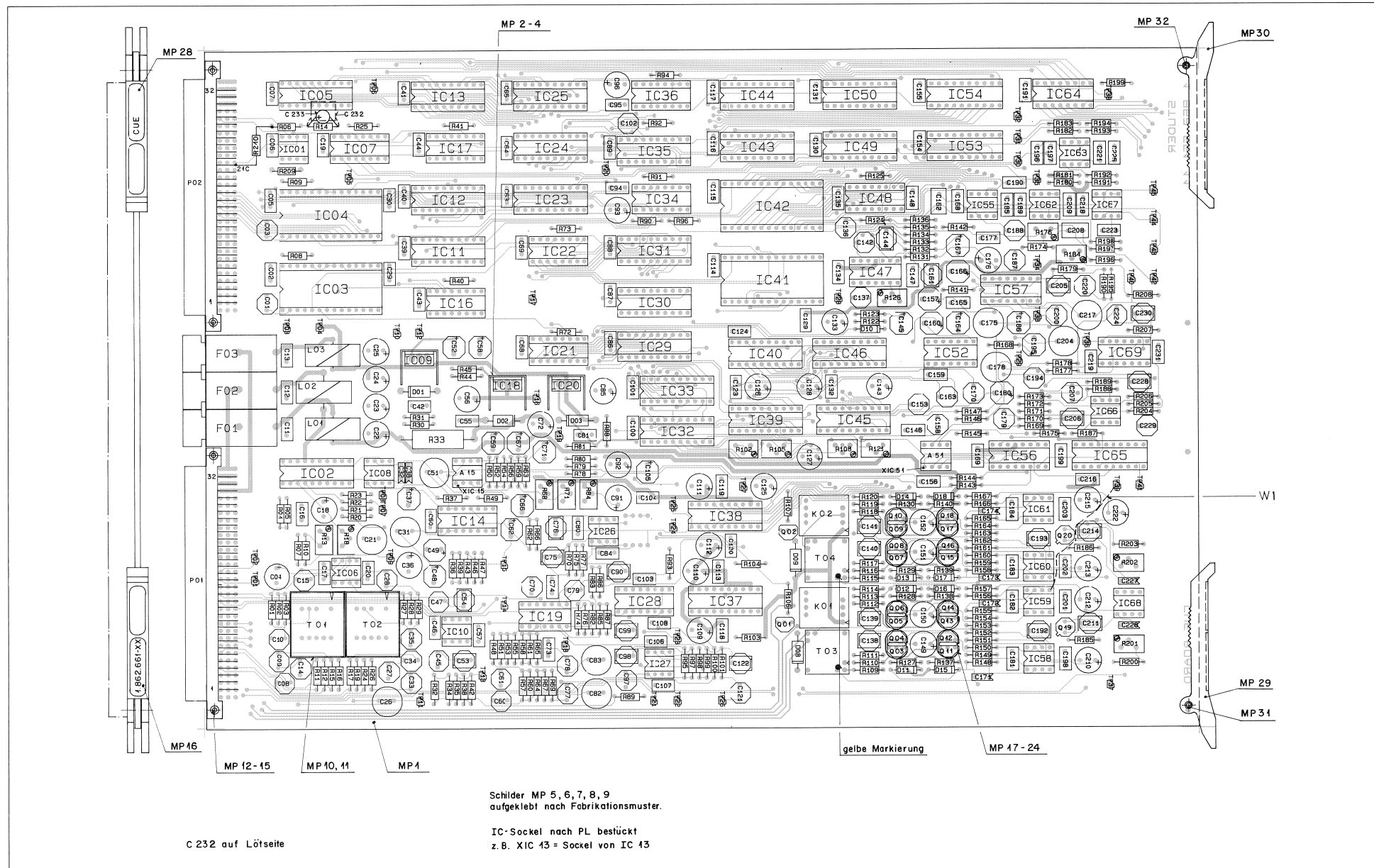


comments :

-  is connector P1
-  is connector P2

0	06.06.89	gpc	D820 MCH CUE - BOARD	PAGE 11 OF 11
STUDER			POWER SUPPLIES	SC 1.862.661 - 20

CUE MODULATOR 1.862.661.20



STUDER D820 MCH

CUE MODULATOR 1.862.661.20

IND.	POS.NO.	PART NO.	VALUE	SPECIFICATIONS / EQUIVALENT	MANUF.	IND.	POS.NO.	PART NO.	VALUE	SPECIFICATIONS / EQUIVALENT	MANUF.	IND.	POS.NO.	PART NO.	VALUE	SPECIFICATIONS / EQUIVALENT	MANUF.	IND.	POS.NO.	PART NO.	VALUE	SPECIFICATIONS / EQUIVALENT	MANUF.
(04)	A...	15	1.862.684.00	CUE FIGUR BACK	ST	C...	109	99.22.3101	100 u	20X 10V EL	ARY	C...	220	99.06.2102	1 u	2.5W 25V	ARY	IC...	45	90.07.0037	AD 7508 1N	ARY	
(04)	A...	51	1.862.684.00	CUE FIGUR BACK	ST	C...	110	99.22.3101	100 u	20X 10V EL	ARY	C...	221	99.06.0683	6 u	75K 20V	ARY	IC...	66	90.09.0106	LM 9532 AN	ARY	
C...	1	99.34.4831	330 p	5K 100V	ARY	C...	111	99.22.3101	100 u	20X 10V EL	ARY	C...	222	99.22.5101	100 u	20X 25V EL	ARY	IC...	67	90.11.0114	WR 5532 AN	ARY	
C...	2	99.06.0683	68 u	20X 10V	ARY	C...	112	99.22.3101	100 u	20X 10V EL	ARY	C...	223	99.06.0683	68 u	20X 10V	ARY	IC...	68	90.09.0106	WR 5532 AN	ARY	
C...	3	99.06.0683	68 u	20X 10V	ARY	C...	113	99.06.0683	68 u	20X 10V	ARY	C...	224	99.06.2471	470 p	2.5W 25V PP	ARY	IC...	69	90.09.0104	LF 947 N	ARY	
C...	4	99.22.2221	220 u	20X 3V EL	ARY	C...	114	99.06.0683	68 u	20X 10V	ARY	C...	225	99.06.0683	68 u	20X 10V	ARY	K...	1	96.04.0170	3 V 100V/0.5A AG/AU	ARY	
C...	5	99.06.0683	68 u	20X 10V	ARY	C...	115	99.06.0683	68 u	20X 10V	ARY	C...	226	99.34.2220	22 p	5K 40V CER	ARY	K...	1	96.04.0170	5 V 100V/0.5A AG/AU	ARY	
C...	6	99.06.0683	68 u	20X 10V	ARY	C...	116	99.06.0683	68 u	20X 10V	ARY	C...	227	99.06.2471	470 p	2.5W 25V PP	ARY	L...	1	62.03.0010	48 uH 2 A Filter	SL	
C...	7	99.06.0683	68 u	20X 10V	ARY	C...	117	99.06.0683	68 u	20X 10V	ARY	C...	228	99.06.2103	10 n	2.5W 25V PP	ARY	L...	2	62.03.0030	110 uH 2 A Filter	SL	
C...	8	99.06.0683	68 u	20X 10V	ARY	C...	118	99.06.0683	68 u	20X 10V	ARY	C...	229	99.06.0683	68 u	20X 10V	ARY	L...	3	62.03.0010	48 uH 2 A Filter	SL	
C...	9	99.06.1102	1 n	1K 100V PP	ARY	C...	119	99.06.0683	68 u	20X 10V	ARY	C...	230	99.06.2103	10 n	2.5W 25V PP	ARY	M...	1	1.862.661.1	CUE-PCB	SL	
C...	10	99.06.1102	1 n	1K 100V PP	ARY	C...	120	99.06.0683	68 u	20X 10V	ARY	C...	231	99.06.0683	68 u	20X 10V	ARY	M...	2	50.20.3004	HEATSHIELD TO 220	ARY	
C...	11	99.06.1102	1 n	1K 100V PP	ARY	C...	121	99.06.1102	1 n	2.5W 25V PP	ARY	C...	232	99.06.0104	100 n	20X 20V	ARY	M...	3	50.20.3004	HEATSHIELD TO 220	ARY	
C...	12	99.06.0683	68 u	20X 25V	ARY	C...	122	99.06.0683	68 u	20X 10V	ARY	D...	1	50.04.0105	18 4004	ARY	M...	4	50.20.3004	HEATSHIELD TO 220	ARY		
C...	13	99.06.0683	68 u	20X 25V	ARY	C...	123	99.06.0683	68 u	20X 10V	ARY	D...	2	50.04.0105	18 4004	ARY	M...	5	1.010.116.11	TEXT-ETIK. 5x20 (71.25A)	SL		
C...	14	99.06.2471	470 p	2.5W 500V PP	ARY	C...	124	99.06.0683	68 u	20X 10V	ARY	D...	3	50.04.0105	18 4004	ARY	M...	6	1.010.116.11	TEXT-ETIK. 5x20 (71.25A)	SL		
C...	15	99.06.1471	470 p	1K 40V PP	ARY	C...	125	99.22.2470	47 u	20X 25V EL	ARY	D...	4	50.04.1106	2-Z-DIODE 2V7	ARY	M...	7	43.01.0108	TEXT-ETIK. 5x20 HARDWARE 20	SL		
C...	16	99.06.0683	68 u	20X 10V	ARY	C...	126	99.22.2470	47 u	20X 25V EL	ARY	D...	5	50.04.1106	2-Z-DIODE 2V7	ARY	M...	8	1.022.400.03	ES5-WAERSCHEID	ARY		
C...	17	99.06.0683	68 u	20X 10V	ARY	C...	127	99.22.2470	47 u	20X 25V EL	ARY	D...	6	50.04.1106	2-Z-DIODE 2V7	ARY	M...	9	1.022.400.03	ES5-WAERSCHEID	ARY		
C...	18	99.06.0683	68 u	20X 10V	ARY	C...	128	99.06.0683	68 u	20X 10V	ARY	D...	7	50.04.1106	2-Z-DIODE 2V7	ARY	M...	10	1.022.400.03	ES5-WAERSCHEID	ARY		
C...	19	99.06.0683	68 u	20X 10V	ARY	C...	129	99.06.0683	68 u	20X 10V	ARY	D...	8	50.04.1106	2-Z-DIODE 2V7	ARY	M...	11	1.022.400.03	ES5-WAERSCHEID	ARY		
C...	20	99.06.0683	68 u	20X 10V	ARY	C...	130	99.06.0683	68 u	20X 10V	ARY	D...	9	50.04.1106	2-Z-DIODE 2V7	ARY	M...	12	1.022.400.03	ES5-WAERSCHEID	ARY		
C...	21	99.06.0683	68 u	20X 10V	ARY	C...	131	99.06.0683	68 u	20X 10V	ARY	D...	10	50.04.1106	2-Z-DIODE 2V7	ARY	M...	13	1.022.400.03	ES5-WAERSCHEID	ARY		
C...	22	99.22.2470	47 u	20X 25V	ARY	C...	132	99.06.0683	68 u	20X 10V	ARY	D...	11	50.04.1106	2-Z-DIODE 2V7	ARY	M...	14	1.022.400.03	ES5-WAERSCHEID	ARY		
C...	23	99.22.2470	47 u	20X 10V EL	ARY	C...	133	99.22.2470	47 u	20X 10V EL	ARY	D...	12	50.04.1106	2-Z-DIODE 2V7	ARY	M...	15	1.022.400.03	ES5-WAERSCHEID	ARY		
C...	24	99.22.2470	47 u	20X 25V	ARY	C...	134	99.06.0683	68 u	20X 20V	ARY	D...	13	50.04.0105	18 4004	ARY	M...	16	28.99.0119	REVIEWING RUT D.2.540.15x10	ARY		
C...	25	99.06.0683	68 u	20X 10V	ARY	C...	135	99.06.0683	68 u	20X 20V	ARY	D...	14	50.04.0105	18 4004	ARY	M...	17	28.99.0119	REVIEWING RUT D.2.540.15x10	ARY		
C...	26	99.06.0683	68 u	20X 10V	ARY	C...	136	99.06.0683	68 u	20X 20V	ARY	D...	15	50.04.0105	18 4004	ARY	M...	18	28.99.0119	REVIEWING RUT D.2.540.15x10	ARY		
C...	27	99.22.3101	100 u	20X 25V EL	ARY	C...	137	99.06.0683	68 u	20X 20V	ARY	D...	16	50.04.0105	18 4004	ARY	M...	19	28.99.0119	REVIEWING RUT D.2.540.15x10	ARY		
C...	28	99.06.0683	68 u	20X 10V	ARY	C...	138	99.06.0683	68 u	20X 20V	ARY	D...	17	50.04.0105	18 4004	ARY	M...	20	28.99.0119	REVIEWING RUT D.2.540.15x10	ARY		
C...	29	99.06.0683	68 u	20X 10V	ARY	C...	139	99.06.0683	68 u	20X 20V	ARY	D...	18	50.04.0105	18 4004	ARY	M...	21	28.99.0119	REVIEWING RUT D.2.540.15x10	ARY		
C...	30	99.06.0683	68 u	20X 10V	ARY	C...	140	99.06.0683	68 u	20X 20V	ARY	D...	19	50.04.0105	18 4004	ARY	M...	22	28.99.0119	REVIEWING RUT D.2.540.15x10	ARY		
C...	31	99.06.0683	68 u	20X 10V	ARY	C...	141	99.06.0683	68 u	20X 20V	ARY	D...	20	50.04.0105	18 4004	ARY	M...	23	28.99.0119	REVIEWING RUT D.2.540.15x10	ARY		
C...	32	99.22.2470	47 u	20X 25V	ARY	C...	142	99.06.0683	68 u	20X 20V	ARY	D...	21	50.04.0105	18 4004	ARY	M...	24	28.99.0119	REVIEWING RUT D.2.540.15x10	ARY		
C...	33	99.06.1102	1 n	1K 100V PP	ARY	C...	143	99.06.0683	68 u	20X 20V	ARY	D...	22	50.04.0105	18 4004	ARY	M...	25	28.99.0119	REVIEWING RUT D.2.540.15x10	ARY		
C...	34	99.06.1102	1 n	1K 100V PP	ARY	C...	144	99.06.0683	68 u	20X 20V	ARY	D...	23	50.04.0105	18 4004	ARY	M...	26	28.99.0119	REVIEWING RUT D.2.540.15x10	ARY		
C...	35	99.06.1102	1 n	1K 100V PP	ARY	C...	145	99.06.0683	68 u	20X 20V	ARY	D...	24	50.04.0105	18 4004	ARY	M...	27	28.99.0119	REVIEWING RUT D.2.540.15x10	ARY		
C...	36	99.06.1102	1 n	1K 100V PP	ARY	C...	146	99.06.0683	68 u	20X 20V	ARY	D...	25	50.04.0105	18 4004	ARY	M...	28	28.99.0119	REVIEWING RUT D.2.540.15x10	ARY		
C...	37	99.06.1102	1 n	1K 100V PP	ARY	C...	147	99.06.0683	68 u	20X 20V	ARY	D...	26	50.04.0105	18 4004	ARY	M...	29	28.99.0119	REVIEWING RUT D.2.540.15x10	ARY		
C...	38	99.06.1102	1 n	1K 100V PP	ARY	C...	148	99.06.0683	68 u	20X 20V	ARY	D...	27	50.04.0105	18 4004	ARY	M...	30	28.99.0119	REVIEWING RUT D.2.540.15x10	ARY		
C...	39	99.06.1102	1 n	1K 100V PP	ARY	C...	149	99.06.0683	68 u	20X 20V	ARY	D...	28	50.04.0105	18 4004	ARY	M...	31	28.99.0119	REVIEWING RUT D.2.540.15x10	ARY		
C...	40	99.06.1102	1 n	1K 100V PP	ARY	C...	150	99.06.0683	68 u	20X 20V	ARY	D...	29	50.04.0105	18 4004	ARY	M...	32	28.99.0119	REVIEWING RUT D.2.540.15x10	ARY		
C...	41	99.06.0683	68 u	20X 10V	ARY	C...	151	99.06.0683	68 u	20X 20V	ARY	D...	30	50.04.0105	18 4004	ARY	M...	33	28.99.0119	REVIEWING RUT D.2.540.15x10	ARY		
C...	42	99.06.0683	68 u	20X 10V	ARY	C...	152	99.06.0683	68 u	20X 20V	ARY	D...	31	50.04.0105	18 4004	ARY	M...	34	28.99.0119	REVIEWING RUT D.2.540.15x10	ARY		
C...	43	99.06.0683	68 u	20X 10V	ARY	C...	153	99.06.0683	68 u	20X 20V	ARY	D...	32	50.04.0105	18 4004	ARY	M...	35	28.99.0119	REVIEWING RUT D.2.540.15x10	ARY		
C...	44	99.06.0683	68 u	20X 10V	ARY	C...	154	99.06.0683	68 u	20X 10V	ARY	D...	33	50.04.0105	18 4004	ARY	M...	36	28.99.0119	REVIEWING RUT D.2.540.15x10	ARY		
C...	45	99.06.0683	68 u	20X 10V	ARY	C...	155	99.06.0683	68 u	20X 20V	ARY	D...	34	50.04.0105	18 4004	ARY	M...	37	28.99.0119	REVIEWING RUT D.2.540.15x10	ARY		
C...	46	99.06.0683	68 u	20X 10V	ARY	C...	156	99.06.0683	68 u	20X 20V	ARY	D...	35	50.04.0105	18 4004	ARY	M...	38	28.99.0119	REVIEWING RUT D.2.540.15x10	ARY		
C...	47	99.06.0683	68 u	20X 10V	ARY	C...	157	99.06.0683	68 u	20X 20V	ARY	D...	36	50.04.0105	18 4004	ARY	M...	39	28.99.0119	REVIEWING RUT D.2.540.15x10	ARY		
C...	48	99.06.0683	68 u	20X 10V	ARY	C...	158	99.06.0683	68 u	20X 20V	ARY	D...	37	50.04.0105	18 4004	ARY	M...	40	28.99.0119	REVIEWING RUT D.2.540.15x10	ARY		
C...	49	99.06.0683	68 u	20X 10V	ARY	C...	159	99.06.0683	68 u	20X 20V	ARY	D...	38	50.04.0105	18 4004	ARY	M...	41	28.99.0				

STUDER D820 MCH

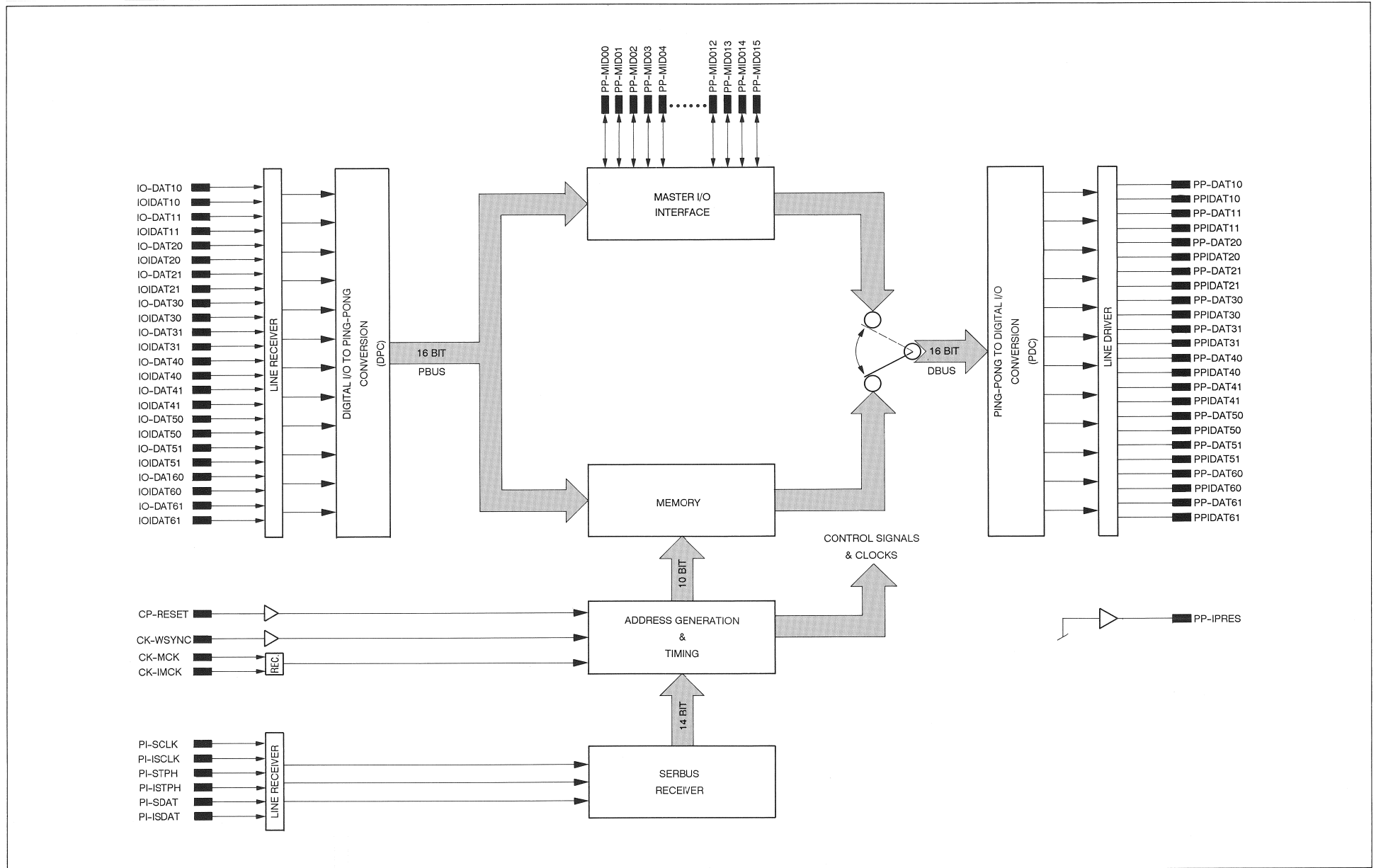
CUE MODULATOR 1.862.661.20

IND.	POS.NO.	PART NO.	VALUE	SPECIFICATIONS / EQUIVALENT	MANUF.	IND.	POS.NO.	PART NO.	VALUE	SPECIFICATIONS / EQUIVALENT	MANUF.	IND.	POS.NO.	PART NO.	VALUE	SPECIFICATIONS / EQUIVALENT	MANUF.
R...	35	57.11.3103	10 k	1k	AVY	R...	138	57.11.3103	10 k	1k	AVY	XIC..37	53.03.0165			DIL 20-PIN	AVY
R...	36	57.11.3103	10 k	1k	AVY	R...	139	57.11.3103	10 k	1k	AVY	XIC..38	53.03.0165			DIL 20-PIN	AVY
R...	37	57.11.3222	2.2 k	1k	AVY	R...	140	57.11.3103	10 k	1k	AVY	XIC..39	53.03.0165			DIL 20-PIN	AVY
R...	38	57.11.3103	10 k	1k	AVY	R...	141	57.11.3103	10 k	1k	AVY	XIC..41	53.03.0173			DIL 20-PIN	AVY
R...	39	57.11.3103	10 k	1k	AVY	R...	142	57.11.3103	10 k	1k	AVY	XIC..42	53.03.0173			DIL 20-PIN	AVY
R...	40	57.11.3103	10 k	1k	AVY	R...	143	57.11.3562	5.6 k	1k	AVY	XIC..43	53.03.0165			DIL 20-PIN	AVY
R...	41	57.11.3103	10 k	1k	AVY	R...	144	57.11.3562	5.6 k	1k	AVY	XIC..44	53.03.0165			DIL 20-PIN	AVY
R...	42	57.11.3103	10 k	1k	AVY	(C03) R...	145	57.11.3322	2.2 k	1k	AVY	XIC..45	53.03.0165			DIL 20-PIN	AVY
R...	43	57.11.3103	10 k	1k	AVY	(C03) R...	146	57.11.3222	2.2 k	1k	AVY	XIC..46	53.03.0165			DIL 20-PIN	AVY
R...	44	57.11.3222	2.2 k	1k	AVY	R...	147	57.11.3103	10 k	1k	AVY	XIC..48	53.03.0168			DIL 20-PIN	AVY
R...	45	57.11.3221	220 k	1k	AVY	R...	148	57.11.3103	10 k	1k	AVY	(C4) XIC..51	53.03.0166			DIL 8-PIN	AVY
R...	46	57.11.3103	10 k	1k	AVY	R...	149	57.11.3472	4.7 k	1k	AVY	XIC..52	53.03.0168			DIL 16-PIN	AVY
R...	47	57.11.3322	3.3 k	1k	AVY	R...	150	57.11.3472	4.7 k	1k	AVY	XIC..57	53.03.0168			DIL 16-PIN	AVY
R...	48	57.11.3103	10 k	1k	AVY	R...	151	57.11.3103	10 k	1k	AVY	XIC..64	53.03.0168			DIL 20-PIN	AVY
R...	49	57.11.3223	2.2 k	1k	AVY	R...	152	57.11.3121	120 k	1k	AVY						
R...	50	57.11.3103	10 k	1k	AVY	R...	153	57.11.3103	10 k	1k	AVY						
R...	51	57.11.3322	3.3 k	1k	AVY	R...	154	57.11.3103	10 k	1k	AVY						
R...	52	57.11.3102	1 k	1k	AVY	R...	155	57.11.3103	10 k	1k	AVY						
R...	53	57.11.3562	6.8 k	1k	AVY	R...	156	57.11.3472	4.7 k	1k	AVY						
R...	54	57.11.3103	10 k	1k	AVY	R...	157	57.11.3472	4.7 k	1k	AVY						
R...	55	57.11.3153	15 k	1k	AVY	R...	158	57.11.3103	10 k	1k	AVY						
R...	56	57.11.3322	3.3 k	1k	AVY	R...	159	57.11.3103	10 k	1k	AVY						
R...	57	57.11.3562	6.8 k	1k	AVY	R...	160	57.11.3472	4.7 k	1k	AVY						
R...	58	57.11.3103	10 k	1k	AVY	R...	161	57.11.3472	4.7 k	1k	AVY						
R...	59	57.11.3224	220 k	1k	AVY	R...	162	57.11.3121	120 k	1k	AVY						
R...	60	57.11.3322	3.3 k	1k	AVY	R...	163	57.11.3121	120 k	1k	AVY						
R...	61	57.11.3562	6.8 k	1k	AVY	R...	164	57.11.3103	10 k	1k	AVY						
R...	62	57.11.3103	10 k	1k	AVY	R...	165	57.11.3103	10 k	1k	AVY						
R...	63	57.11.3102	1 k	1k	AVY	R...	166	57.11.3472	4.7 k	1k	AVY						
R...	64	57.11.3322	3.3 k	1k	AVY	R...	167	57.11.3472	4.7 k	1k	AVY						
R...	65	57.11.3103	10 k	1k	AVY	R...	168	57.11.3562	5.6 k	1k	AVY						
R...	66	57.11.3103	10 k	1k	AVY	R...	169	57.11.3562	5.6 k	1k	AVY						
R...	67	57.11.3562	6.8 k	1k	AVY	R...	170	57.11.3222	2.2 k	1k	AVY						
(C02) R...	68	58.05.8104	100 k	100 k	Pot.-meter	R...	171	57.11.3222	2.2 k	1k	AVY						
(C02) R...	69	58.05.1104	100 k	100 k	Pot.-meter	R...	172	57.11.3562	5.6 k	1k	AVY						
R...	70	57.11.3182	1.8 k	1k	AVY	R...	173	57.11.3522	8.2 k	1k	AVY						

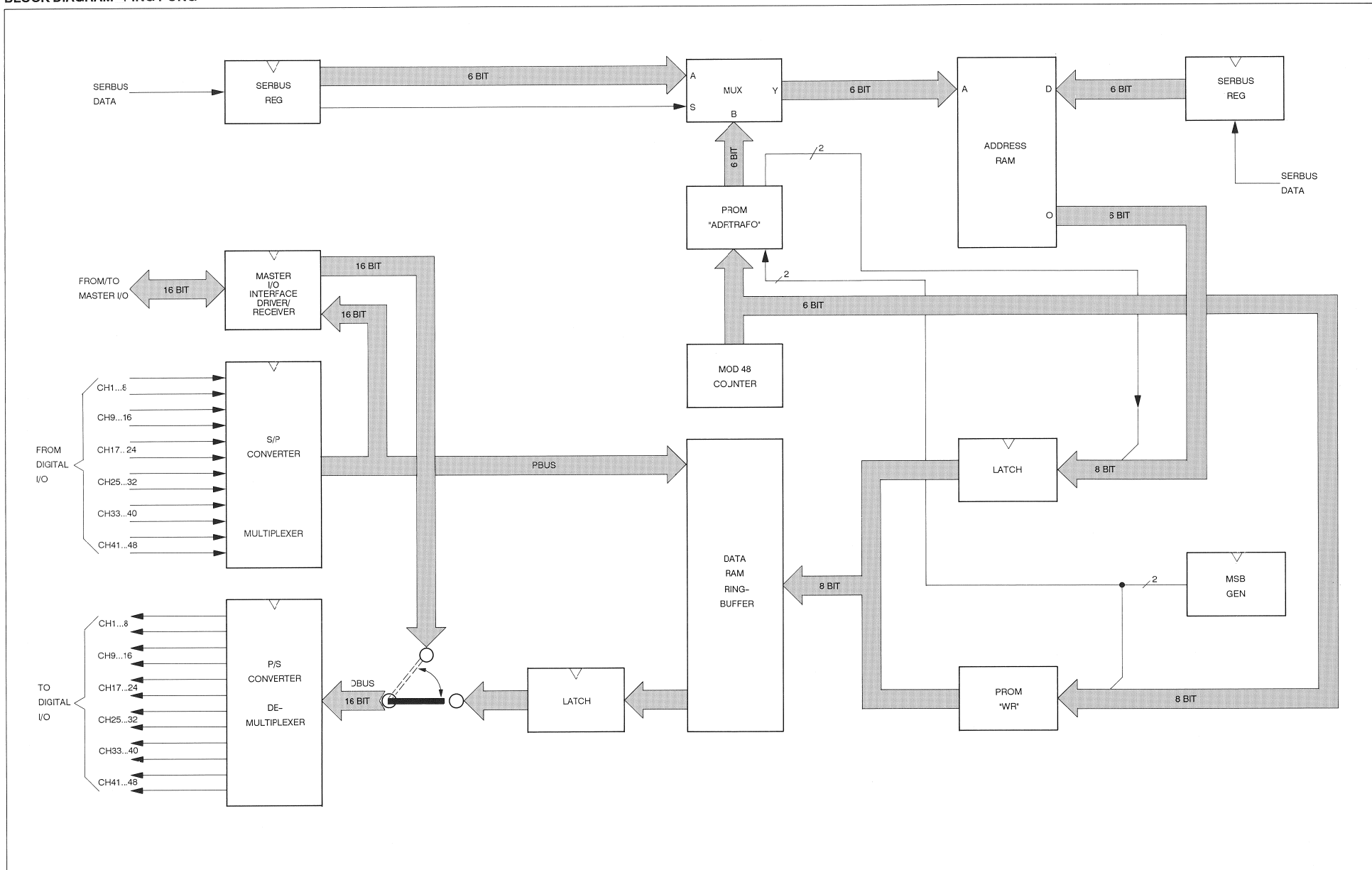
IND.	POS.NO.	PART NO.	VALUE	SPECIFICATIONS / EQUIVALENT	MANUF.	IND.	POS.NO.	PART NO.	VALUE	SPECIFICATIONS / EQUIVALENT	MANUF.	IND.	POS.NO.	PART NO.	VALUE	SPECIFICATIONS / EQUIVALENT	MANUF.
(C02) R...	71	58.01.8104	100 k	100 k	Pot.-meter	AVY	R...	174	57.11.3224	220 k	1k	AVY					
(C02) R...	72	58.05.1104	100 k	100 k	Pot.-meter	AVY	(C03) R...	175	57.11.3521	820 k	1k	AVY					
R...	73	57.11.3103	10 k	1k	AVY	R...	176	58.05.1104	100 k	100 k	Pot.-meter	AVY					
R...	74	57.11.3222	2.2 k	1k	AVY	R...	177	57.11.3104	100 k	1k	AVY						
R...	75	57.11.3182	1.8 k	1k	AVY	R...	178	57.11.3472	4.7 k	1k	AVY						
R...	76	57.11.3562	5.6 k	1k	AVY	R...	179	57.11.3224	220 k	1k	AVY						
R...	77	57.11.3562	5.6 k	1k	AVY	R...	180	57.11.3104	100 k	1k	AVY						
R...	78	57.11.3324	330 k	1k	AVY	R...	181	57.11.3222	2.2 k	1k	AVY						
R...	79	57.11.3324	330 k	1k	AVY	R...	182	57.11.3104	100 k	1k	AVY						
R...	80	57.11.3103	10 k	1k	AVY	R...	183	57.11.3104	100 k	1k	AVY						
R...	81	57.11.3241	240 k	1k	AVY	R...	184	58.05.1104	100 k	100 k	Pot.-meter	AVY					
R...	82	57.11.3222	2.2 k	1k	AVY	R...	185	57.11.3222	2.2 k	1k	AVY						
(C02) R...	83	58.01.8104	100 k	100 k	Pot.-meter	R...	186	57.11.3222	2.2 k	1k	AVY						
(C02) R...	84	58.05.1104	100 k	100 k	Pot.-meter	R...	187	57.11.3562	6.8 k	1k	AVY						
R...	85	57.11.3562	5.6 k	1k	AVY	R...	188	57.11.3562	5.6 k	1k	AVY						
R...	86	57.11.3562	5.6 k	1k	AVY	R...	189	57.11.3522	8.2 k	1k	AVY						
R...	87	57.11.3222	2.2 k	1k	AVY	R...	190	57.11.3562	5.6 k	1k	AVY						
R...	88	57.11.3272	2.7 k	1k	AVY	R...	191	57.11.3222	2.2 k	1k	AVY						
R...	89	57.11.3272	2.7 k	1k	AVY	R...	192	57.11.3222	2.2 k	1k	AVY						
R...	90	57.11.3102	1 k	1k	AVY	R...	193	57.11.3222	2.2 k	1k	AVY						
R...	91	57.11.3102	1 k	1k	AVY	R...	194	57.11.3562	5.6 k	1k	AVY						
R...	92	57.11.3222	2.2 k	1k	AVY	R...	195	57.11.3562	5.6 k	1k	AVY						
R...	93	57.11.3102	1 k	1k	AVY	R...	196	57.11.3104	100 k	1k	AVY						
R...	94	57.11.3103	10 k	1k	AVY	R...	197	57.11.3103	10 k	1k	AVY						
R...	95	57.11.3102	1 k	1k	AVY	R...	198	57.11.3103	10 k	1k	AVY						
R...	96	57.11.3102	1 k	1k	AVY	(C02) R...	199	57.11.3103	10 k	1k	AVY						
R...	97	57.11.3102	1 k	1k	AVY	(C02) R...	200	57.11.3562	5.6 k	1k	AVY						
R...	98	57.11.3102	1 k	1k	AVY	(C02) R...	201	58.01.8103	50 k	100 k	Pot.-meter	AVY					
R...	99	57.11.3332	3.3 k	1k	AVY	(C02) R...	202	58.01.8103	50 k	100 k	Pot.-meter	AVY					
R...	100	57.11.3102	1 k	1k	AVY	(C02) R...	203	58.01.8103	50 k	100 k	Pot.-meter	AVY					
(C02) R...	101	57.11.3332	3.3 k	1k	AVY	(C02) R...	204	57.11.3472	4.7 k	1k	AVY						
(C02) R...	102	58.01.8103	10 k	100 k	Pot.-meter	R...	205	57.11.3183	1.8 k	1k	AVY						
(C02) R...	103	58.05.1103	10 k	100 k	Pot.-meter												
R...	104	57.11.3103	10 k	1k	AVY												

IND.	POS.NO.	PART NO.	VALUE	SPECIFICATIONS / EQUIVALENT	MANUF.	IND.	POS.NO.	PART NO.	VALUE	SPECIFICATIONS / EQUIVALENT	MANUF.	IND.	POS.NO.	PART NO.	VALUE	SPECIFICATIONS / EQUIVALENT	MANUF.
(C02) R...	105	58.01.8103	10 k	100 k	Pot.-meter	AVY	R...	206	57.11.3104	100 k	1k	AVY					
(C02) R...	106	58.05.1103	10 k	100 k	Pot.-meter	AVY	R...	207	57.11.3153	15 k	1k	AVY					
R...	107	57.11.3332	3.3 k	1k	AVY	R...	208	57.11.3334	330 k	1k	AVY						
(C02) R...	108	58.01.8103	10 k	100 k	Pot.-meter	AVY	R...	209	57.11.3222	2.2 k	1k	AVY					
(C02) R...	109	58.05.1103	10 k	100 k	Pot.-meter	AVY	R...	210	57.11.3103	10 k	1k	AVY					
R...																	

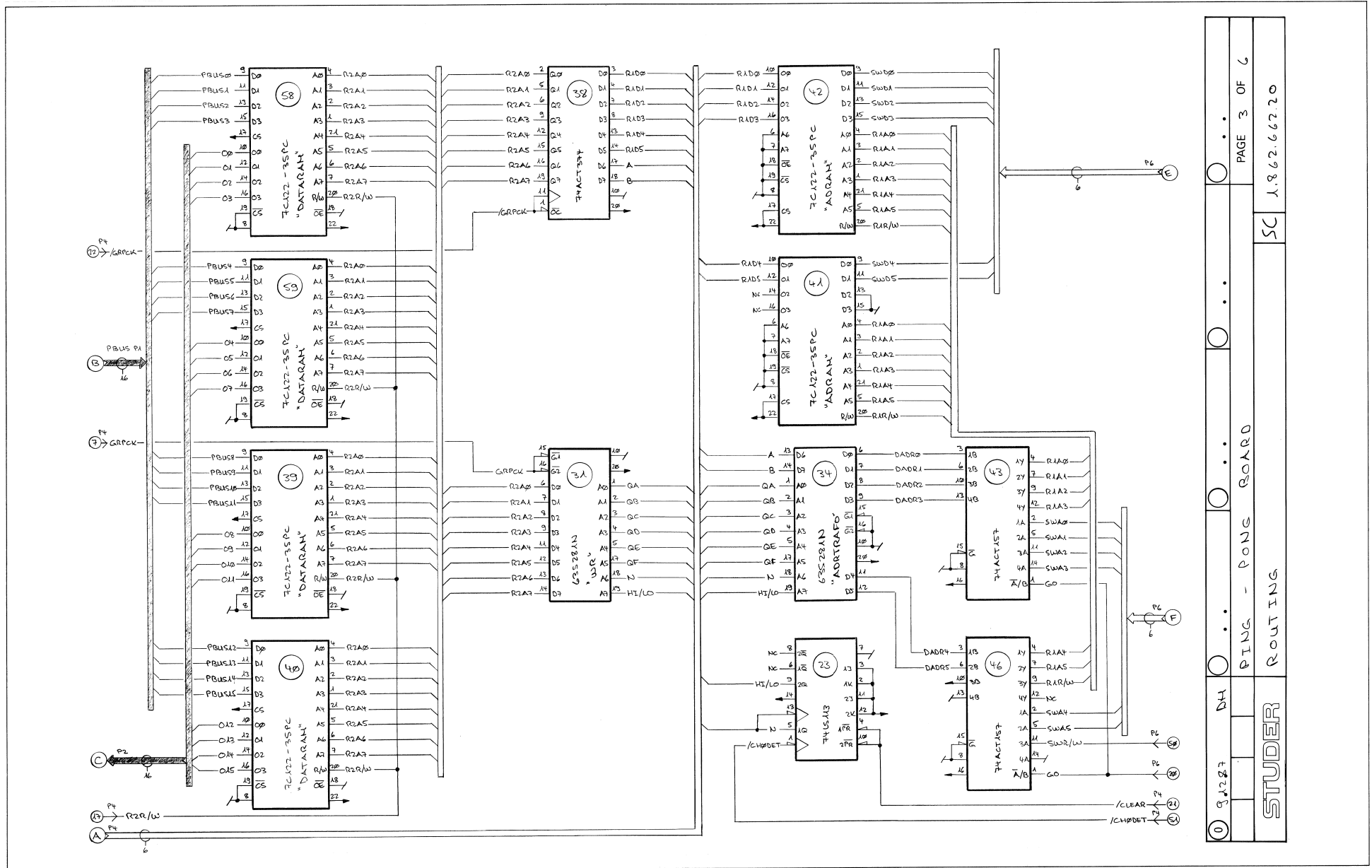
BLOCK DIAGRAM PING PONG



BLOCK DIAGRAM PING PONG



PING PONG 1.862.662.20

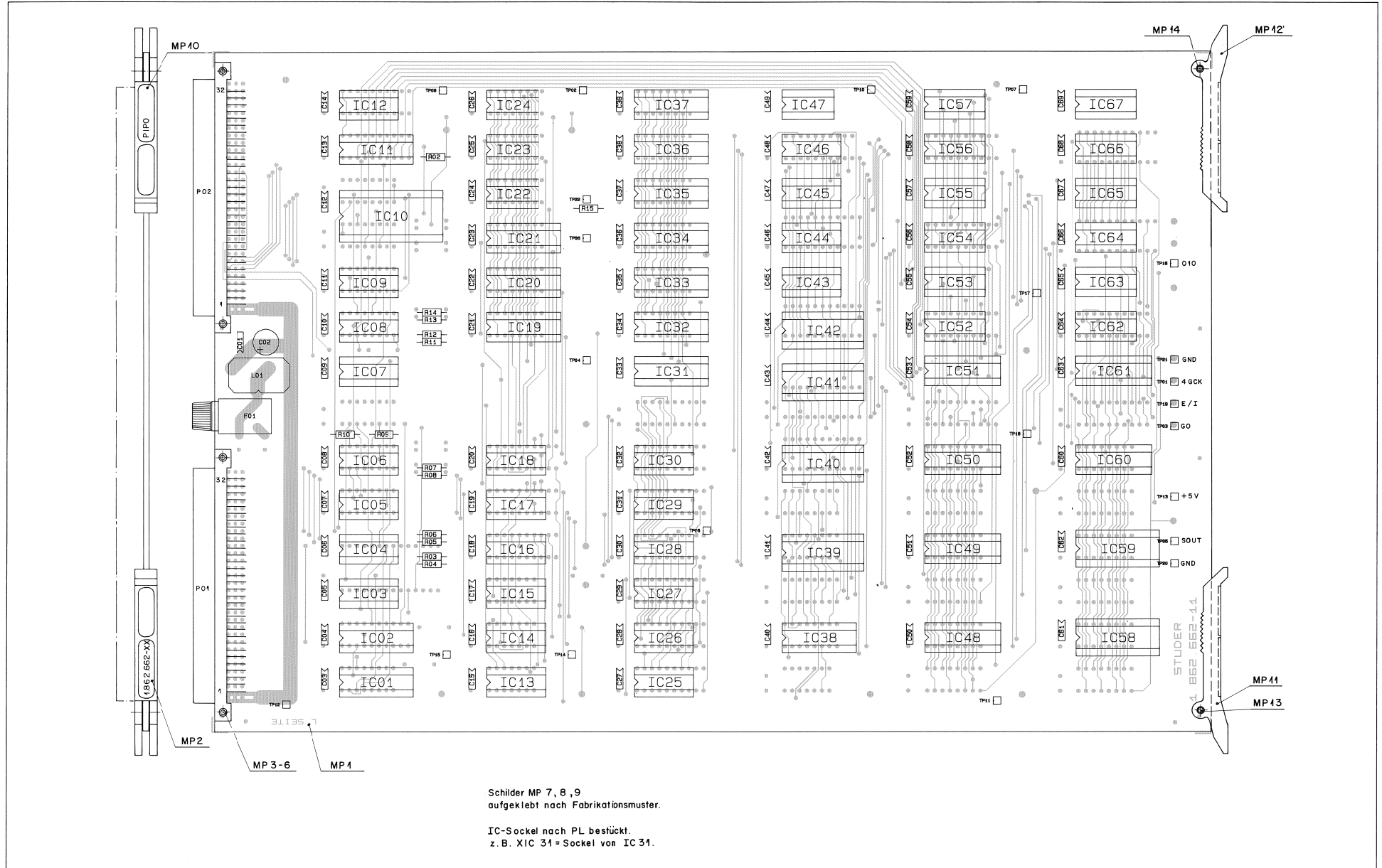


9.1.87 DH PING - PONG BOARD SC 1.862.662.20

STUDER

PAGE 3 OF 6

PING PONG 1.862.662.20



STUDER D820 MCH

PING PONG 1.862.662.20

IND.	POS.NO.	PART NO.	VALUE	SPECIFICATIONS / EQUIVALENT	MANUF.	IND.	POS.NO.	PART NO.	VALUE	SPECIFICATIONS / EQUIVALENT	MANUF.
C...	1	59.06.0683	68	10%	63V	ANY	IC...	40	50.14.0127	F 93 U 422 - 35 FC	ANY
C...	2	59.06.0683	68	10%	63V	ANY	IC...	41	50.14.0127	F 93 U 422 - 35 FC	ANY
C...	3	59.06.0683	68	10%	63V	ANY	IC...	42	50.14.0127	F 93 U 422 - 35 FC	ANY
C...	4	59.06.0683	68	10%	63V	ANY	IC...	43	50.14.0127	F 93 U 422 - 35 FC	ANY
C...	5	59.06.0683	68	10%	63V	ANY	IC...	44	50.06.0595	SN 74 LS 595 R	ANY
C...	6	59.06.0683	68	10%	63V	ANY	IC...	45	50.06.0595	SN 74 LS 595 R	ANY
C...	7	59.06.0683	68	10%	63V	ANY	IC...	46	50.17.7157	74 ACT 137	ANY
C...	8	59.06.0683	68	10%	63V	ANY	IC...	47	50.17.7074	74 ACT 174	ANY
C...	9	59.06.0683	68	10%	63V	ANY	IC...	48	50.17.7244	74 ACT 244	ANY
C...	10	59.06.0683	68	10%	63V	ANY	IC...	49	50.17.7374	74 ACT 374	ANY
C...	11	59.06.0683	68	10%	63V	ANY	IC...	50	50.17.7244	74 ACT 244	ANY
C...	12	59.06.0683	68	10%	63V	ANY	IC...	51	50.17.7374	74 ACT 374	ANY
C...	13	59.06.0683	68	10%	63V	ANY	IC...	52	50.06.0597	SN 74 LS 597 R	ANY
C...	14	59.06.0683	68	10%	63V	ANY	IC...	53	50.06.0597	SN 74 LS 597 R	ANY
C...	15	59.06.0683	68	10%	63V	ANY	IC...	54	50.06.0597	SN 74 LS 597 R	ANY
C...	16	59.06.0683	68	10%	63V	ANY	IC...	55	50.06.0597	SN 74 LS 597 R	ANY
C...	17	59.06.0683	68	10%	63V	ANY	IC...	56	50.06.0597	SN 74 LS 597 R	ANY
C...	18	59.06.0683	68	10%	63V	ANY	IC...	57	50.06.0597	SN 74 LS 597 R	ANY
C...	19	59.06.0683	68	10%	63V	ANY	IC...	58	50.14.0127	F 93 U 422 - 35 FC	ANY
C...	20	59.06.0683	68	10%	63V	ANY	IC...	59	50.14.0127	F 93 U 422 - 35 FC	ANY
C...	21	59.06.0683	68	10%	63V	ANY	IC...	60	50.17.7374	74 ACT 374	ANY
C...	22	59.06.0683	68	10%	63V	ANY	IC...	61	50.17.7374	74 ACT 374	ANY
C...	23	59.06.0683	68	10%	63V	ANY	IC...	62	50.06.0597	SN 74 LS 597 R	ANY
C...	24	59.06.0683	68	10%	63V	ANY	IC...	63	50.06.0597	SN 74 LS 597 R	ANY
C...	25	59.06.0683	68	10%	63V	ANY	IC...	64	50.06.0597	SN 74 LS 597 R	ANY
C...	26	59.06.0683	68	10%	63V	ANY	IC...	65	50.06.0597	SN 74 LS 597 R	ANY
C...	27	59.06.0683	68	10%	63V	ANY	IC...	66	50.06.0597	SN 74 LS 597 R	ANY
C...	28	59.06.0683	68	10%	63V	ANY	IC...	67	50.06.0597	SN 74 LS 597 R	ANY
C...	29	59.06.0683	68	10%	63V	ANY	L...	1	62.03.0030	110 uH 3 A	ANY
C...	30	59.06.0683	68	10%	63V	ANY	MF...	1	1.862.662.11	PING PONG PCB	ANY
C...	31	59.06.0683	68	10%	63V	ANY	MF...	2	1.862.662.01	STRIBETTE	SE
C...	32	59.06.0683	68	10%	63V	ANY	MF...	3	28.99.0119	ROHMITEE D 2.540.15+ 10	ANY
C...	33	59.06.0683	68	10%	63V	ANY	MF...	4	28.99.0119	ROHMITEE D 2.540.15+ 10	ANY
C...	34	59.06.0683	68	10%	63V	ANY	MF...	5	28.99.0119	ROHMITEE D 2.540.15+ 10	ANY
C...	35	59.06.0683	68	10%	63V	ANY	MF...	6	28.99.0119	ROHMITEE D 2.540.15+ 10	ANY
C...	36	59.06.0683	68	10%	63V	ANY					
C...	37	59.06.0683	68	10%	63V	ANY					

STUDER (01) 90/06/22 RU PING-PONG BOARD PL 1.862.662.20 PAGE 1

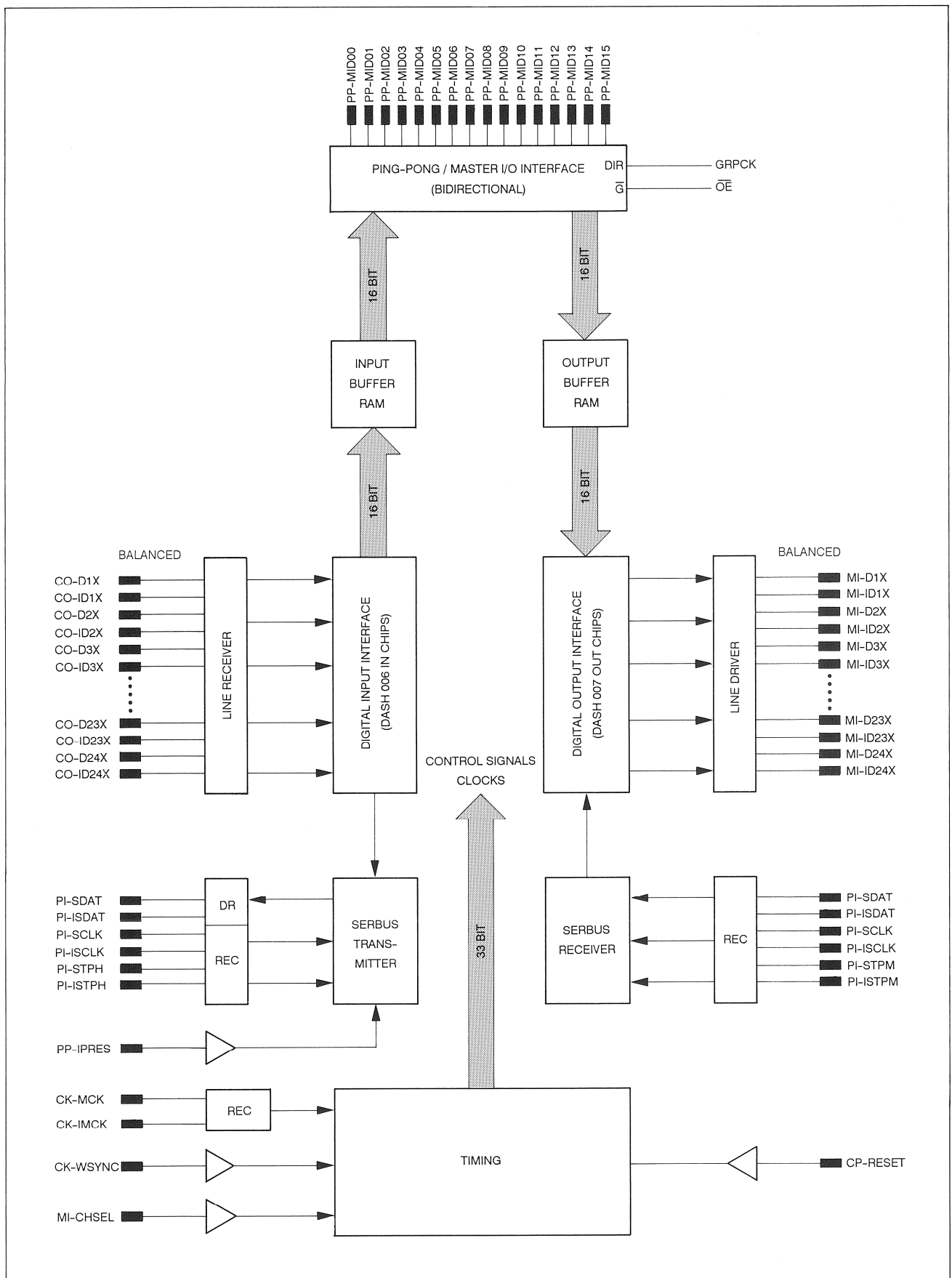
IND.	POS.NO.	PART NO.	VALUE	SPECIFICATIONS / EQUIVALENT	MANUF.	IND.	POS.NO.	PART NO.	VALUE	SPECIFICATIONS / EQUIVALENT	MANUF.
C...	38	59.06.0683	68	10%	63V	ANY	MF...	7	1.101.001.20	TEXT-ETIK. 5+20 HARDWARE -20	SE
C...	39	59.06.0683	68	10%	63V	ANY	MF...	8	43.01.0108	HEI-WAERSCHILD	ANY
C...	40	59.06.0683	68	10%	63V	ANY	MF...	9	1.010.100.01	TEXT-ETIK. 5+20 (TS.15A)	SE
C...	41	59.06.0683	68	10%	63V	ANY	(01) MF...	10	1.862.662.02	LABEL "F10"	SE
C...	42	59.06.0683	68	10%	63V	ANY	(01) MF...	11	1.862.650.05	FUSWERFERHEBEL	SE
C...	43	59.06.0683	68	10%	63V	ANY	(01) MF...	12	1.862.650.05	FUSWERFERHEBEL	SE
C...	44	59.06.0683	68	10%	63V	ANY	(01) MF...	13	1.862.650.06	FUSWERFERSTIFF	SE
C...	45	59.06.0683	68	10%	63V	ANY	(01) MF...	14	1.862.650.06	FUSWERFERSTIFF	SE
C...	46	59.06.0683	68	10%	63V	ANY	F...	1	54.01.0358	LEISTE 3 x 30 EURO PRINT	ANY
C...	47	59.06.0683	68	10%	63V	ANY	F...	2	54.01.0358	LEISTE 3 x 30 EURO PRINT	ANY
C...	48	59.06.0683	68	10%	63V	ANY	R...	1	57.11.3102	1 k	ANY
C...	49	59.06.0683	68	10%	63V	ANY	R...	2	57.11.3102	220	ANY
C...	50	59.06.0683	68	10%	63V	ANY	R...	3	57.11.3102	220	ANY
C...	51	59.06.0683	68	10%	63V	ANY	R...	4	57.11.3102	220	ANY
C...	52	59.06.0683	68	10%	63V	ANY	R...	5	57.11.3102	220	ANY
C...	53	59.06.0683	68	10%	63V	ANY	R...	6	57.11.3102	220	ANY
C...	54	59.06.0683	68	10%	63V	ANY	R...	7	57.11.3102	220	ANY
C...	55	59.06.0683	68	10%	63V	ANY	R...	8	57.11.3102	220	ANY
C...	56	59.06.0683	68	10%	63V	ANY	R...	9	57.11.3102	220	ANY
C...	57	59.06.0683	68	10%	63V	ANY	R...	10	57.11.3102	220	ANY
C...	58	59.06.0683	68	10%	63V	ANY	R...	11	57.11.3102	220	ANY
C...	59	59.06.0683	68	10%	63V	ANY	R...	12	57.11.3102	220	ANY
C...	60	59.06.0683	68	10%	63V	ANY	R...	13	57.11.3102	220	ANY
C...	61	59.06.0683	68	10%	63V	ANY	R...	14	57.11.3102	220	ANY
C...	62	59.06.0683	68	10%	63V	ANY	R...	15	57.11.3102	220	ANY
C...	63	59.06.0683	68	10%	63V	ANY	R...	16	57.11.3102	220	ANY
C...	64	59.06.0683	68	10%	63V	ANY	TF...	1	54.02.0320	FLACH 2,8x0,8 *STY 22 *****	ANY
C...	65	59.06.0683	68	10%	63V	ANY	XP...	1	53.03.0118	S x 20 PRINT-LEGEND	ANY
C...	66	59.06.0683	68	10%	63V	ANY	XIC...	31	53.03.0165	31L 20-POL. LOET	ANY
C...	67	59.06.0683	68	10%	63V	ANY	XIC...	32	53.03.0165	31L 20-POL. LOET	ANY
C...	68	59.06.0683	68	10%	63V	ANY	XIC...	33	53.03.0165	31L 20-POL. LOET	ANY
C...	69	59.06.0683	68	10%	63V	ANY	XIC...	34	53.03.0165	31L 20-POL. LOET	ANY
C...	70	59.06.0683	68	10%	63V	ANY	XIC...	35	53.03.0165	31L 20-POL. LOET	ANY
C...	71	59.06.0683	68	10%	63V	ANY	XIC...	36	53.03.0165	31L 20-POL. LOET	ANY

STUDER (01) 90/06/22 RU PING-PONG BOARD PL 1.862.662.20 PAGE 2

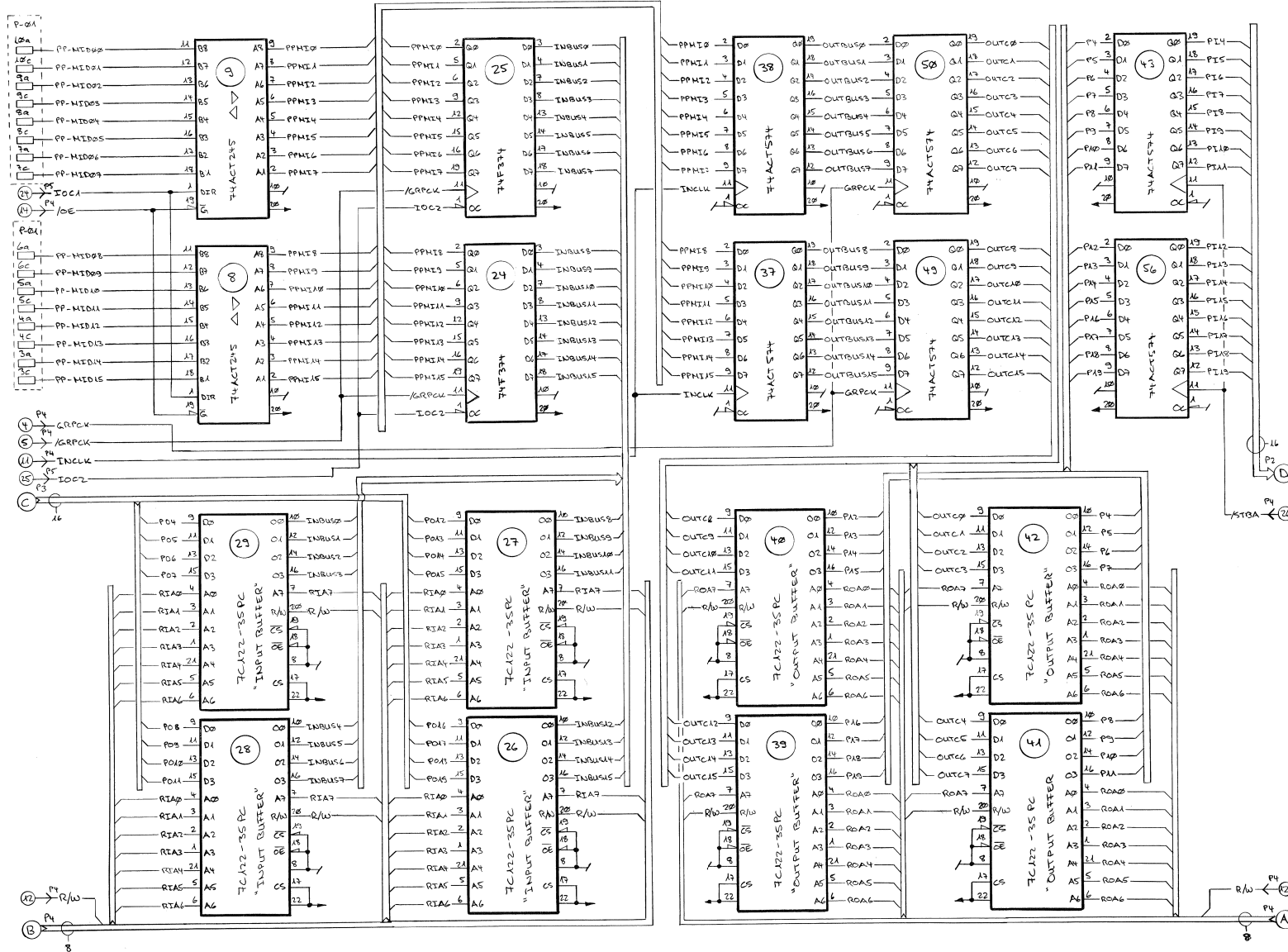
IND.	POS.NO.	PART NO.	VALUE	SPECIFICATIONS / EQUIVALENT	MANUF.	IND.	POS.NO.	PART NO.	VALUE	SPECIFICATIONS / EQUIVALENT	MANUF.
IC...	3	50.15.0106	AN28 LS 3L PC/AN28 LS31 CR	ANY	XIC...	39	53.03.0183	DIL 22-POL. LOET	ANY		
IC...	4	50.15.0109	AN28 LS 3P PC/AN28 LS33 CR	ANY	XIC...	40	53.03.0183	DIL 22-POL. LOET	ANY		
IC...	5	50.15.0106	AN28 LS 3L PC/AN28 LS31 CR	ANY	XIC...	41	53.03.0183	DIL 22-POL. LOET	ANY		
IC...	6	50.15.0109	AN28 LS 3P PC/AN28 LS33 CR	ANY	XIC...	42	53.03.0183	DIL 22-POL. LOET	ANY		
IC...	7	50.06.0595	SN 74 LS 595 R	ANY	XIC...	43	53.03.0183	DIL 22-POL. LOET	ANY		
IC...	8	50.15.0109	AN28 LS 3P PC/AN28 LS33 CR	ANY	XIC...	44	53.03.0183	DIL 22-POL. LOET	ANY		
IC...	9	50.15.0106	AN28 LS 3L PC/AN28 LS31 CR	ANY	XIC...	45	53.03.0183	DIL 22-POL. LOET	ANY		
IC...	10	50.06.0595	SN 74 LS 595 R	ANY							
IC...	11	50.21.0244	KURZM427R	SE							
IC...	12	50.15.0106	AN28 LS 3L PC/AN28 LS31 CR	ANY							
IC...	13	50.06.0595	SN 74 LS 595 R	ANY							
IC...	14	50.06.0595	SN 74 LS 595 R	ANY							
IC...	15	50.06.0595	SN 74 LS 595 R	ANY							
IC...	16	50.06.0595	SN 74 LS 595 R	ANY							
IC...	17	50.06.0595	SN 74 LS 595 R	ANY							
IC...	18	50.06.0595	SN 74 LS 595 R	ANY							
IC...	19	50.17.7374	74 ACT 374	ANY							
IC...	20	50.17.7374	74 ACT 374	ANY							
IC...	21	50.17.7374	74 ACT 374	ANY							
IC...	22	50.06.0595	SN 74 LS 595 R	ANY							
IC...	23	50.06.0113	SN 74 LS 13 R	ANY							
IC...	24	50.06.0595	SN 74 LS 595 R	ANY							
IC...	25	50.06.0595	SN 74 LS 595 R	ANY							
IC...	26	50.06.0595	SN 74 LS 595 R	ANY							
IC...	27	50.06.0595	SN 74 LS 595 R	ANY							
IC...	28	50.06.0595	SN 74 LS 595 R	ANY							
IC...	29	50.06.0595	SN 74 LS 595 R	ANY							
IC...	30	50.06.0595	SN 74 LS 595 R	ANY							
IC...	31	50.14.0114	TFP 28L 22R (SN 1.862.843.20)	ANY							
IC...	32	50.14.0114	TFP 28L 22R (SN 1.862.843.20)	ANY							
IC...	33	50.14.0114	TFP 28L 22R (SN 1.862.844.20)	ANY							
IC...	34	50.14.0114	TFP 28L 22R (SN 1.862.841.20)	ANY							
IC...	35	50.18.0100	15 V 8 - 25 LP (SN 1.862.843.20)	ANY							
IC...	36	50.14.0114	TFP 28L 22R (SN 1.862.843.20)	ANY							
IC...	37	50.17.7374	74 ACT 374	ANY							
IC...	38	50.17.7374	74 ACT 374	ANY							
IC...	39	50.14.0127	F 93 U 422 - 35 FC	ANY							

STUDER (01) 90/06/22 RU PING-PONG BOARD PL 1.862.662.20 PAGE 3

BLOCK DIAGRAM MASTER I/O



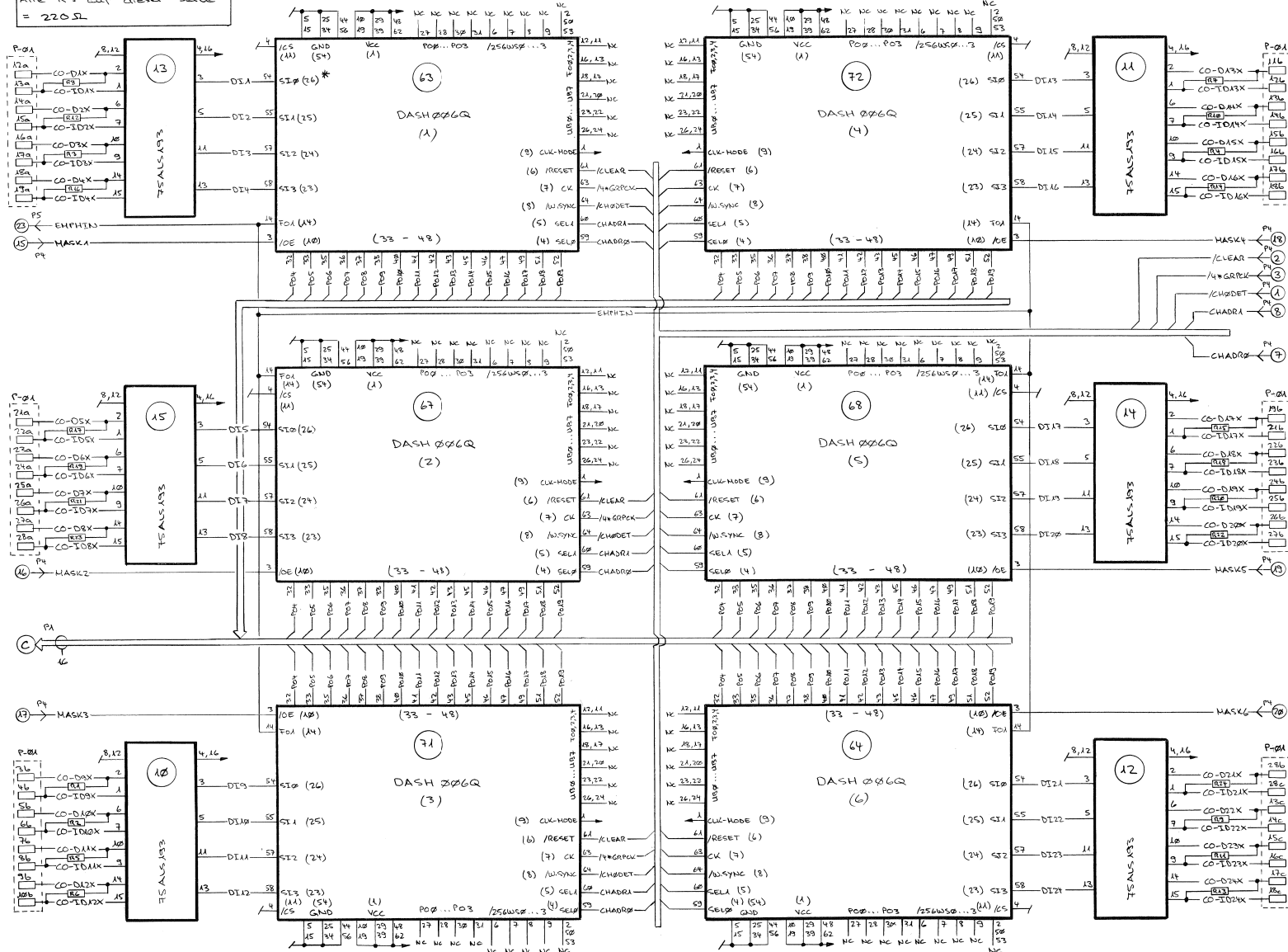
MASTER I/O 1.862.663.20



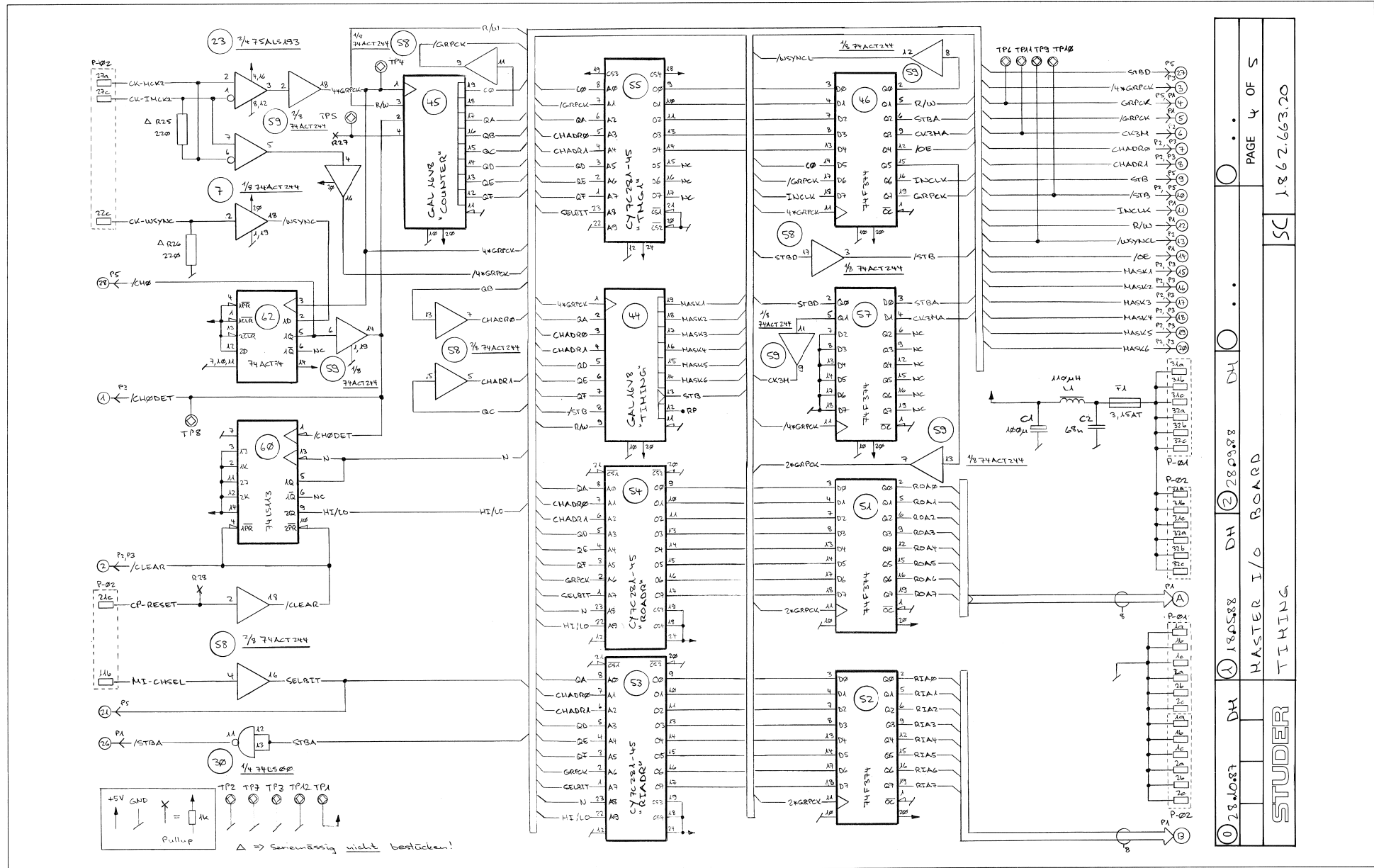
0	3006689	DH	180589	DH	PAGE 1 OF 5
MASTER I/O BOARD							
PP ← HI 17 / INP/OUT BUFFER SC 1.862.663.20							
STUDER							

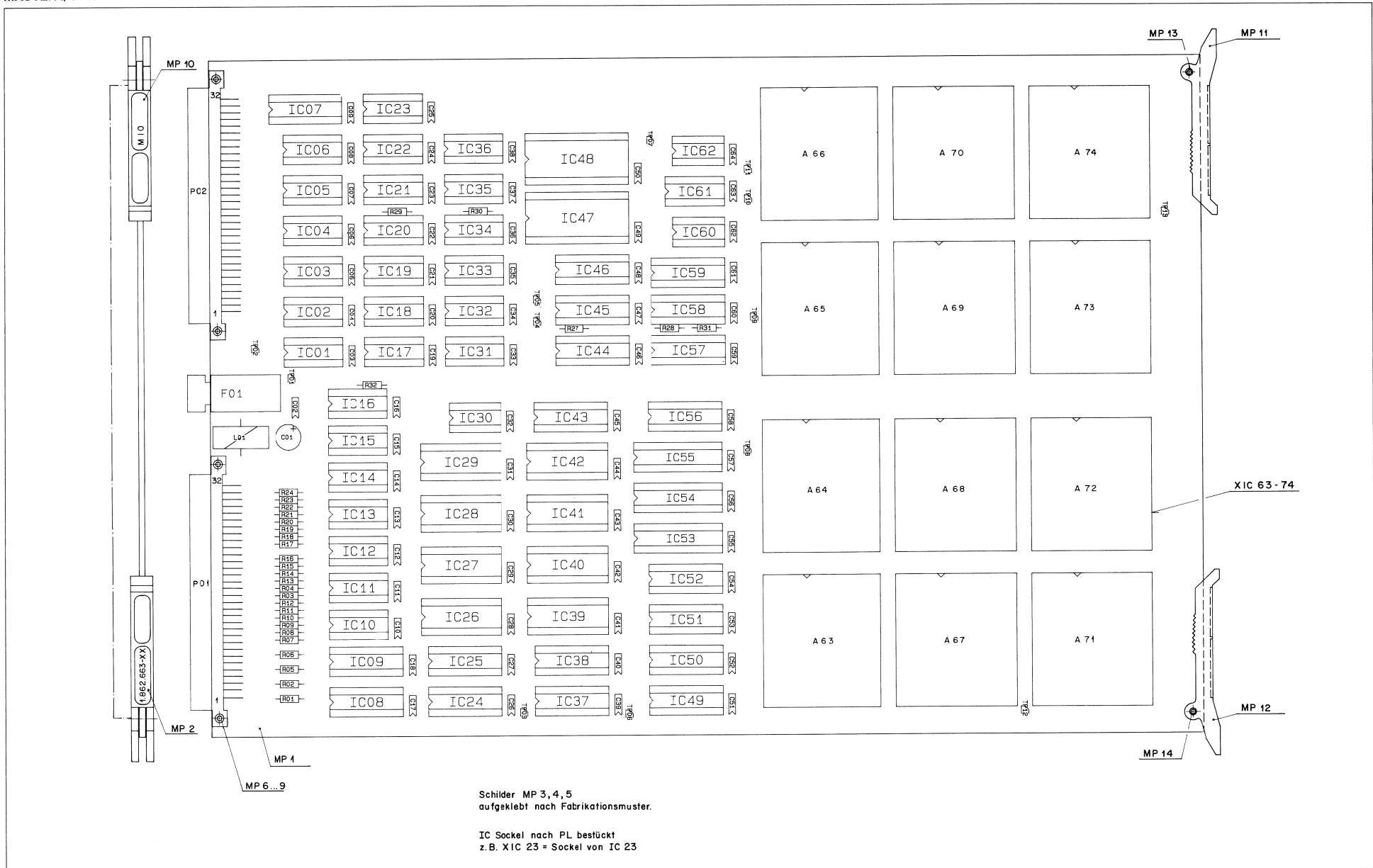
MASTER I/O 1.862.663.20

Alle R's auf dieser Seite
= 220Ω

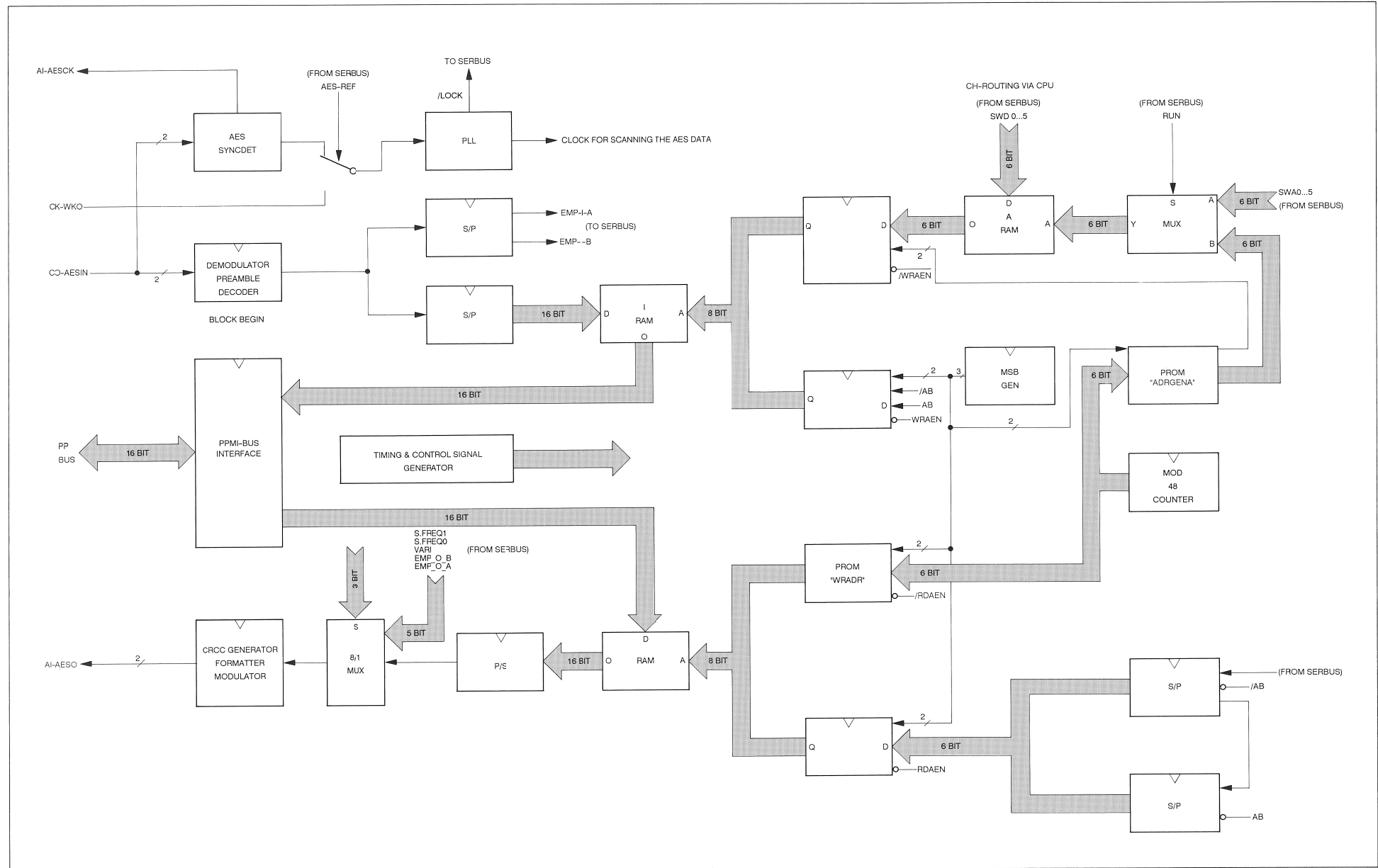


* Pinnummern in Klammern beziehen sich auf die Pins des Backbags. (Ohne Klammer = Pinnummer des Sony IC)

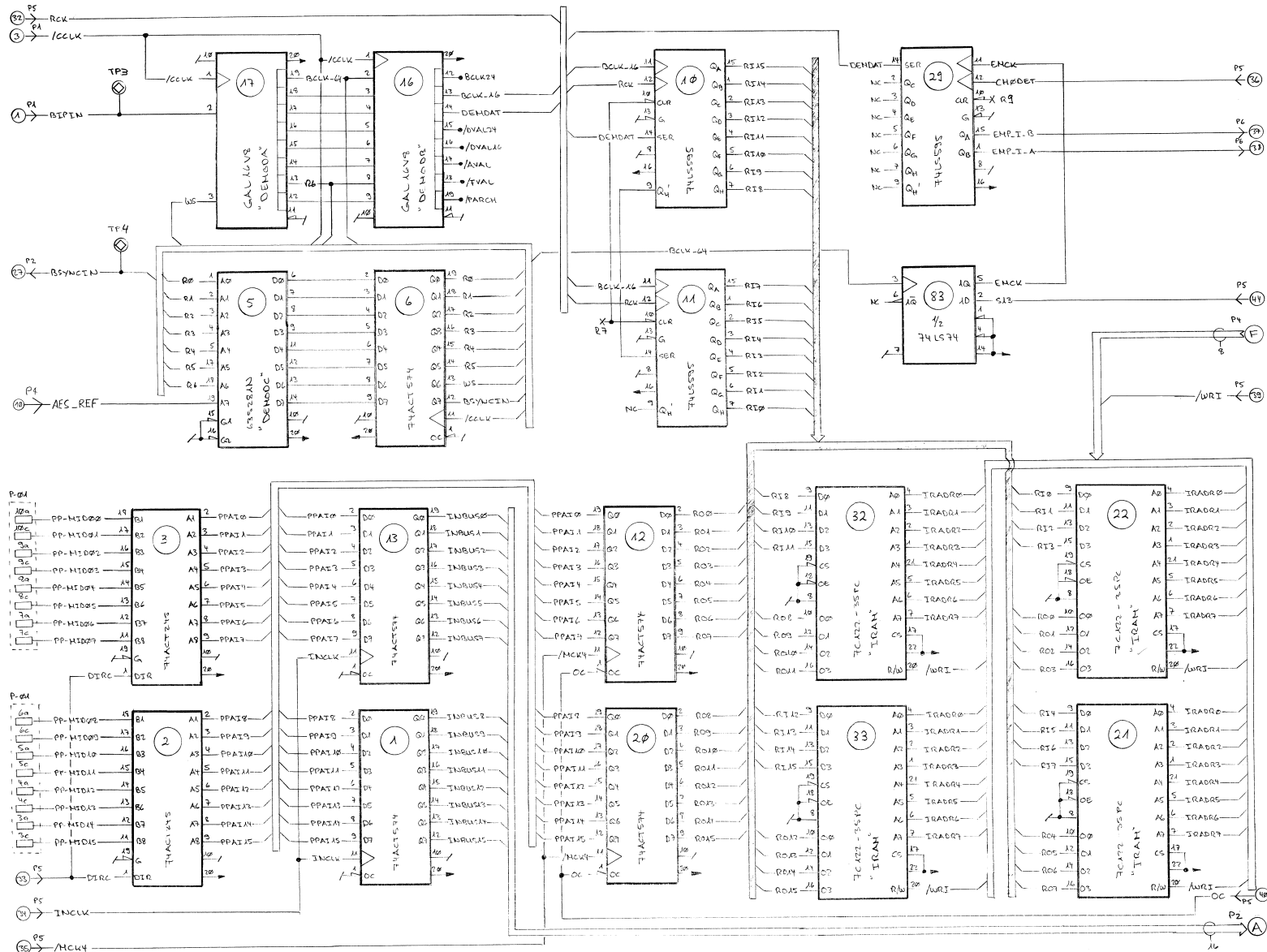




BLOCK DIAGRAM AES/EBU INTERFACE



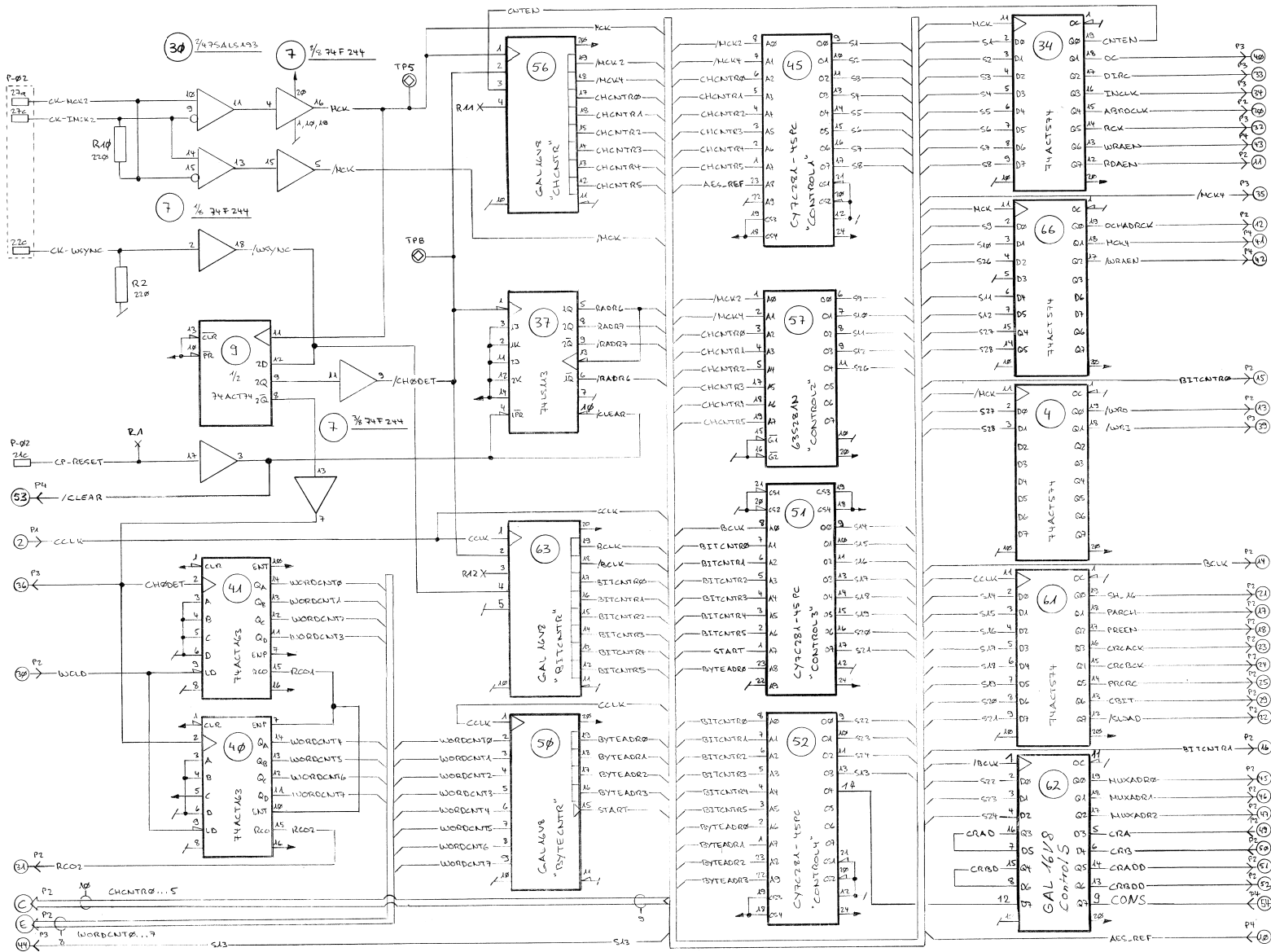
AES/EBU INTERFACE 1.862.664.22



0	72.06.82	DH	1	3009.88	DH	2	19.05.81 d.w.	3	16.05.90	AvO	4		5		6	
													AES/EBU INTERFACE BOARD			
													AES INPUT / INPUT ROUTING			
													SC 1.862.664.22			
													PAGE 3 OF 6			

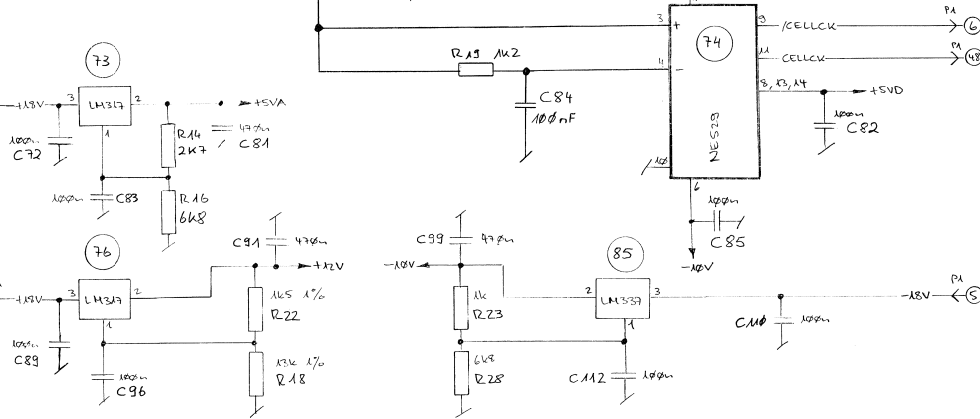
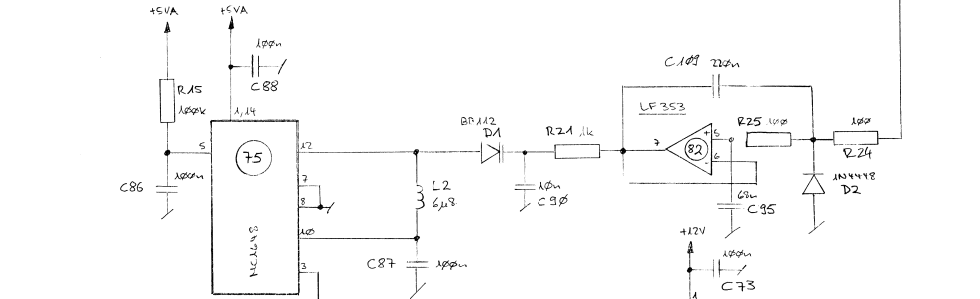
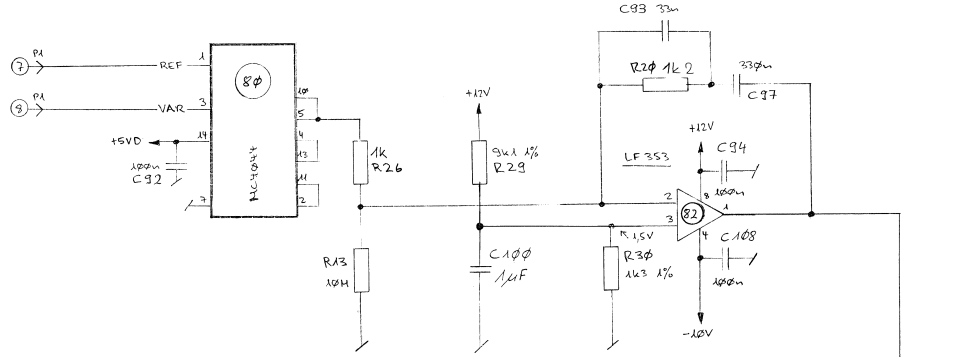
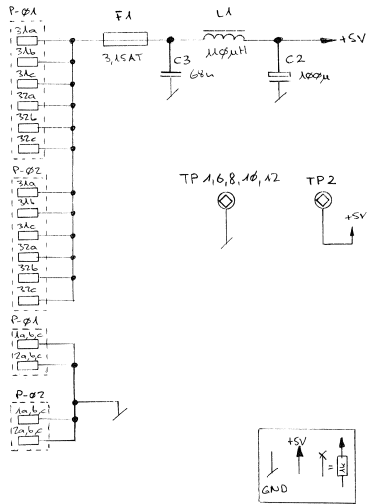
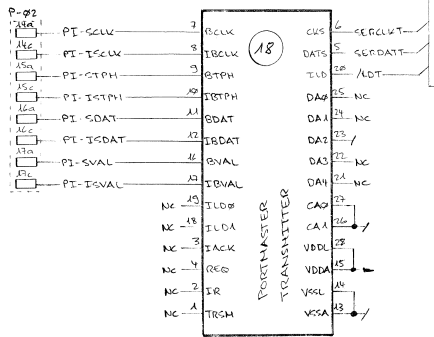
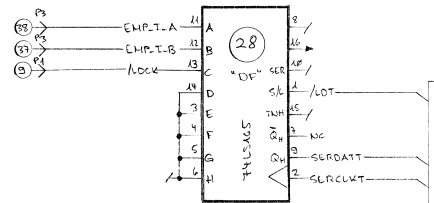
STUDER D820 MCH

AES/EBU INTERFACE 1.862.664.22



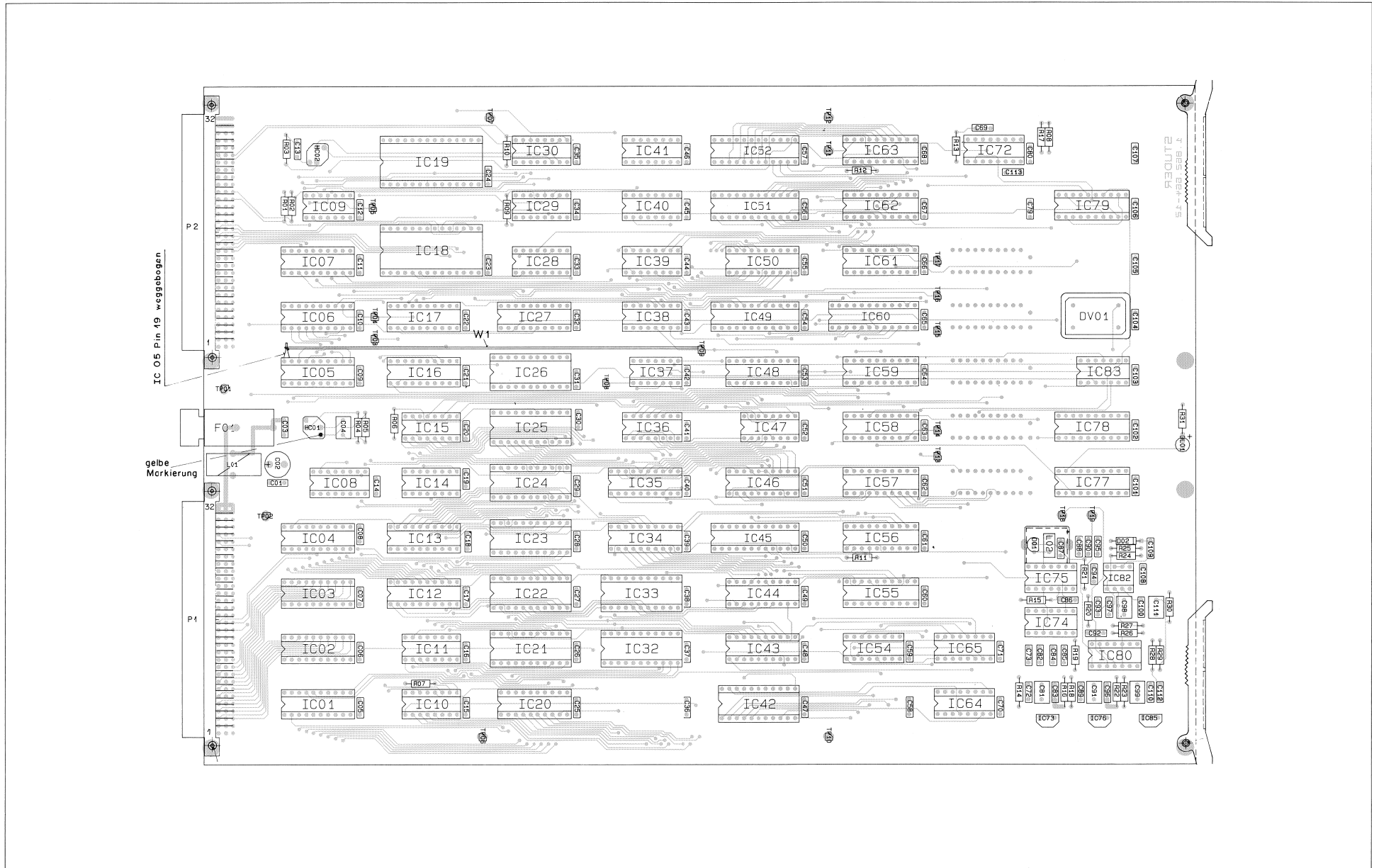
0	1.862.664.22	DH	1	30.0888	DH	2	050988	DH	3	11.0589	D.W.	4	20.0689	D.W.
AES/EBU INTERFACE BOARD														
TIMING														
STUDER														
												PAGE 5 OF 6		
1.862.664.22														

AES/EBU INTERFACE 1.862.664.22



0 19.06.88	DH	30.08.88	DH	3 19.05.89	U.W.
AES/EBU INTERFACE BOARD					
PAGE 6 OF 6					
STUDER					
SERBUS TRSH / PLL					
SC 1.862.664.22					

AES/EBU INTERFACE 1.862.664.22

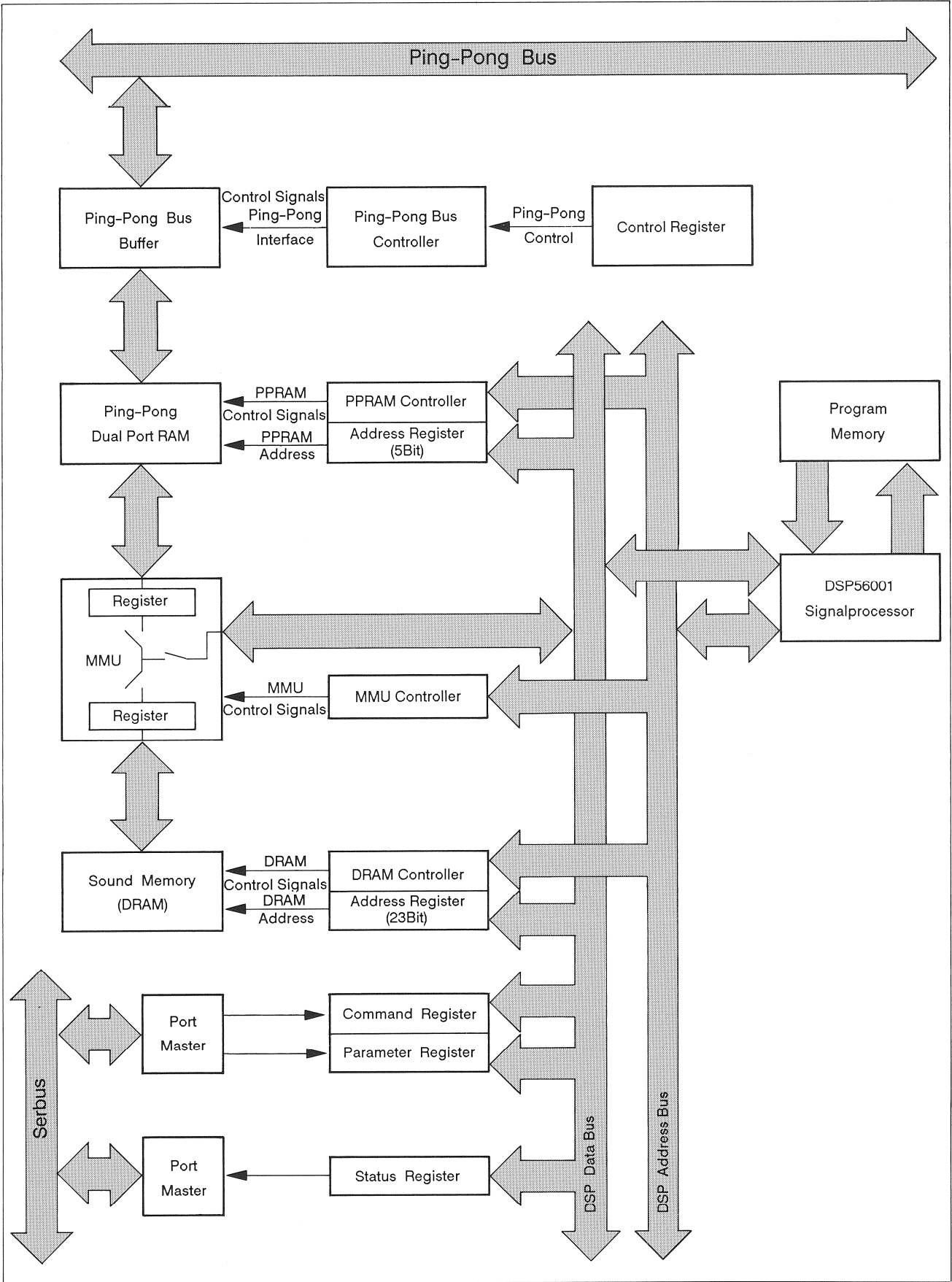


STUDER D820 MCH

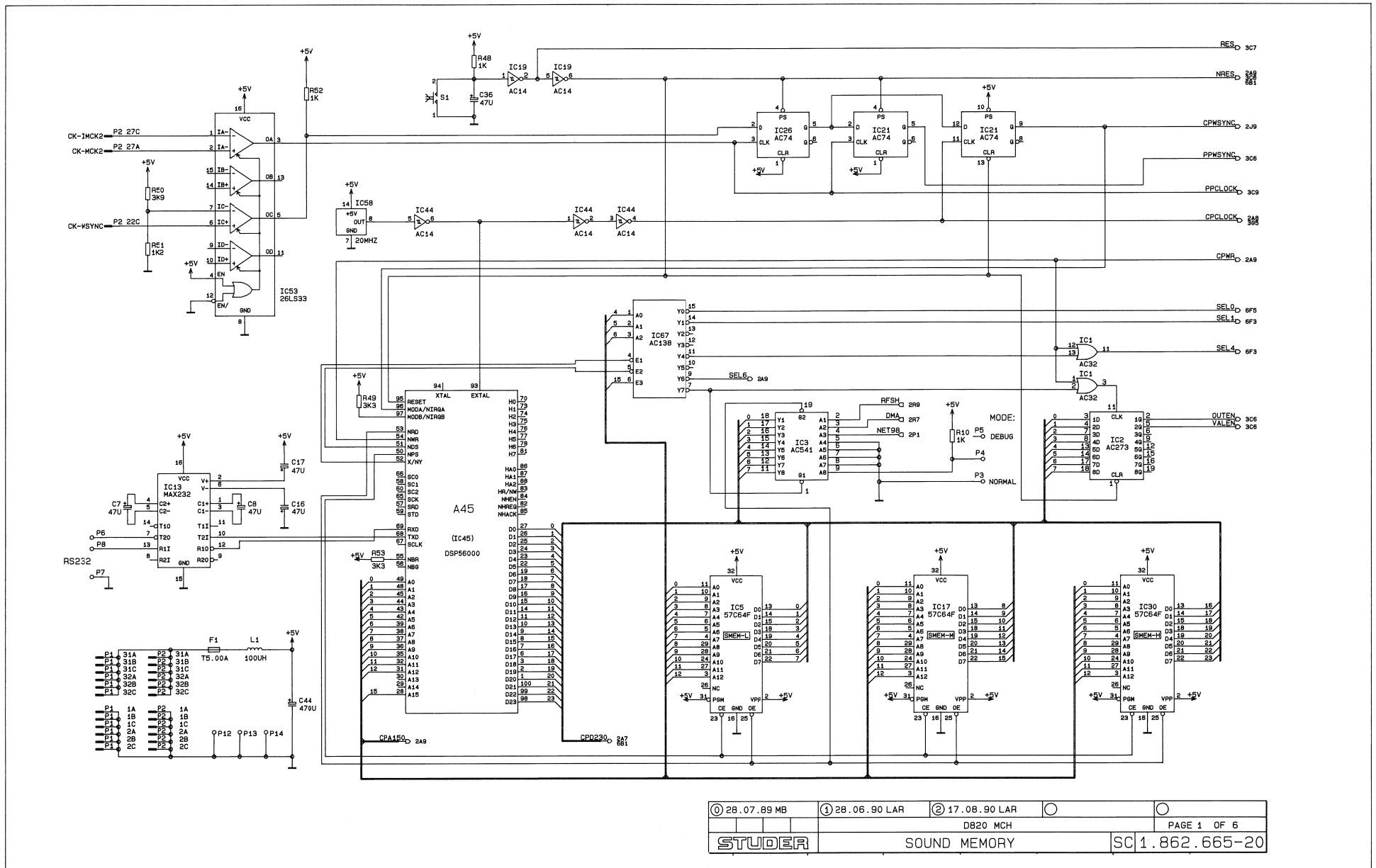
AES/EBU INTERFACE 1.862.664.22

IND.	POS.NO.	PART NO.	VALUE	SPECIFICATIONS / EQUIVALENT	MANUF.	IND.	POS.NO.	PART NO.	VALUE	SPECIFICATIONS / EQUIVALENT	MANUF.	IND.	POS.NO.	PART NO.	VALUE	SPECIFICATIONS / EQUIVALENT	MANUF.						
C...	1	59.06.0683	.068 u	10% 63V PTFP	AVY	F....	1	51.99.0139	MIRIFUSE 7A	AVY	R....	112	57.11.3122	1 k	1% 0207 / MF	AVY							
C...	2	59.22.4471	470 u	-20% 16V 50	AVY	IC...	1	50.17.7574	.. 74 ACT 574	AVY	R....	114	57.11.3272	2.7 k	1% 0207 / MF	AVY							
C...	3	59.06.0683	.068 u	10% 63V PTFP	AVY	IC...	2	50.05.0245	SM 74 LS 245 N	AVY	R....	115	57.11.3124	6.8 k	1% 0207 / MF	AVY							
C...	4	59.06.0105	1.0 u	10% 30V PTFP	AVY	IC...	3	50.05.0245	SM 74 LS 245 N	AVY	R....	116	57.11.3632	6.8 k	1% 0207 / MF	AVY							
C...	5	59.06.0683	.068 u	10% 63V PTFP	AVY	IC...	4	50.18.0140	16 V 8 - 25 LF	(SM 1.862.875.20)	AVY	R....	118	57.11.3922	1.2 k	1% 0207 / MF	AVY						
C...	6	59.06.0683	.068 u	10% 63V PTFP	AVY	IC...	5	50.18.0140	16 V 8 - 25 LF	(SM 1.862.875.20)	AVY	R....	119	57.11.3123	1.2 k	1% 0207 / MF	AVY						
C...	7	59.06.0683	.068 u	10% 63V PTFP	AVY	IC...	6	50.17.7574	.. 74 ACT 574	AVY	R....	120	57.11.3122	1.2 k	1% 0207 / MF	AVY							
C...	8	59.06.0683	.068 u	10% 63V PTFP	AVY	IC...	7	50.17.7574	.. 74 ACT 574	AVY	R....	121	57.11.3122	1.2 k	1% 0207 / MF	AVY							
C...	9	59.06.0683	.068 u	10% 63V PTFP	AVY	IC...	8	50.15.0123	SM 75 ALS 192 N	AVY	R....	122	57.11.3122	1.2 k	1% 0207 / MF	AVY							
C...	10	59.06.0683	.068 u	10% 63V PTFP	AVY	IC...	9	50.17.7074	.. 74 ACT 574	AVY	R....	123	57.11.3122	1.2 k	1% 0207 / MF	AVY							
C...	11	59.06.0683	.068 u	10% 63V PTFP	AVY	IC...	10	50.06.0996	SM 74 LS 995 N	AVY	R....	124	57.11.3122	1.2 k	1% 0207 / MF	AVY							
C...	12	59.06.0683	.068 u	10% 63V PTFP	AVY	IC...	11	50.06.0996	SM 74 LS 995 N	AVY	R....	125	57.11.3122	1.2 k	1% 0207 / MF	AVY							
C...	13	59.06.0105	1.0 u	10% 30V PTFP	AVY	IC...	12	50.17.7574	.. 74 ACT 574	AVY	R....	126	57.11.3122	1.2 k	1% 0207 / MF	AVY							
C...	14	59.06.0683	.068 u	10% 63V PTFP	AVY	IC...	13	50.17.7574	.. 74 ACT 574	AVY	R....	127	57.11.3122	1.2 k	1% 0207 / MF	AVY							
C...	15	59.06.0683	.068 u	10% 63V PTFP	AVY	IC...	14	50.06.0997	SM 74 LS 997 N	AVY	R....	128	57.11.3122	1.2 k	1% 0207 / MF	AVY							
C...	16	59.06.0683	.068 u	10% 63V PTFP	AVY	IC...	15	50.06.0997	SM 74 LS 997 N	AVY	R....	129	57.11.3922	9.1 k	1% 0207 / MF	AVY							
C...	17	59.06.0683	.068 u	10% 63V PTFP	AVY	IC...	16	50.18.0100	16 V 8 - 25 LF	(SM 1.862.875.20)	AVY	R....	130	57.11.3122	1.2 k	1% 0207 / MF	AVY						
C...	18	59.06.0683	.068 u	10% 63V PTFP	AVY	IC...	17	50.18.0100	16 V 8 - 25 LF	(SM 1.862.875.20)	AVY	R....	131	57.11.3271	270	1% 0207 / MF	AVY						
C...	19	59.06.0683	.068 u	10% 63V PTFP	AVY	IC...	18	50.50.0010	PORTWAZTER	AVY	T....	1	1.022.632.30		D1/30 TRANSFORMER	ST							
C...	20	59.06.0683	.068 u	10% 63V PTFP	AVY	IC...	19	50.50.0010	PORTWAZTER	AVY	T....	2	1.022.632.30		D1/30 TRANSFORMER	ST							
C...	21	59.06.0683	.068 u	10% 63V PTFP	AVY	IC...	20	50.17.7574	.. 74 ACT 574	AVY	TP....	1	54.02.0320		TESTPOINT **** CTY 19 *****	ST							
C...	22	59.06.0683	.068 u	10% 63V PTFP	AVY	IC...	21	50.14.0127	CV 7 C 122 - 35 PC	AVY	(01) W....	1	1.010.119.54	190 NM	WIRE WRAP DRAFT	ST							
C...	23	59.06.0683	.068 u	10% 63V PTFP	AVY	IC...	22	50.14.0127	CV 7 C 122 - 35 PC	AVY	KIC...4	53.03.0155		DIL 20-POL. LOET	AVY								
C...	24	59.06.0683	.068 u	10% 63V PTFP	AVY	IC...	23	50.14.0127	CV 7 C 122 - 35 PC	AVY	KIC...5	53.03.0155		DIL 20-POL. LOET	AVY								
C...	25	59.06.0683	.068 u	10% 63V PTFP	AVY	IC...	24	50.14.0127	CV 7 C 122 - 35 PC	AVY	KIC...6	53.03.0155		DIL 20-POL. LOET	AVY								
C...	26	59.06.0683	.068 u	10% 63V PTFP	AVY	IC...	25	50.14.0127	CV 7 C 122 - 35 PC	AVY	KIC...7	53.03.0155		DIL 20-POL. LOET	AVY								
C...	27	59.06.0683	.068 u	10% 63V PTFP	AVY	IC...	26	50.14.0127	CV 7 C 122 - 35 PC	AVY	KIC...8	53.03.0155		DIL 20-POL. LOET	AVY								
C...	28	59.06.0683	.068 u	10% 63V PTFP	AVY	IC...	27	50.21.0284	.. 74 P 244	AVY	KIC...9	53.03.0155		DIL 20-POL. LOET	AVY								
C...	29	59.06.0683	.068 u	10% 63V PTFP	AVY	IC...	28	50.05.0165	SM 74 LS 995 N	AVY	KIC...10	53.03.0155		DIL 20-POL. LOET	AVY								
C...	30	59.06.0683	.068 u	10% 63V PTFP	AVY	IC...	29	50.05.0165	SM 74 LS 995 N	AVY	KIC...11	53.03.0155		DIL 20-POL. LOET	AVY								
C...	31	59.06.0683	.068 u	10% 63V PTFP	AVY	IC...	30	50.14.0127	CV 7 C 122 - 35 PC	AVY	KIC...12	53.03.0155		DIL 20-POL. LOET	AVY								
C...	32	59.06.0683	.068 u	10% 63V PTFP	AVY	IC...	31	50.14.0127	CV 7 C 122 - 35 PC	AVY	KIC...13	53.03.0155		DIL 20-POL. LOET	AVY								
C...	33	59.06.0683	.068 u	10% 63V PTFP	AVY	IC...	32	50.14.0127	CV 7 C 122 - 35 PC	AVY	KIC...14	53.03.0155		DIL 20-POL. LOET	AVY								
C...	34	59.06.0683	.068 u	10% 63V PTFP	AVY	IC...	33	50.14.0127	CV 7 C 122 - 35 PC	AVY	KIC...15	53.03.0155		DIL 20-POL. LOET	AVY								
C...	35	59.06.0683	.068 u	10% 63V PTFP	AVY	IC...	34	50.17.0274	.. 74 ACT 574	AVY	KIC...16	53.03.0155		DIL 20-POL. LOET	AVY								
C...	36	59.06.0683	.068 u	10% 63V PTFP	AVY	IC...	35	50.17.0274	.. 74 ACT 574	AVY	KIC...17	53.03.0155		DIL 20-POL. LOET	AVY								
C...	37	59.06.0683	.068 u	10% 63V PTFP	AVY	IC...	36	50.06.0996	SM 74 LS 995 N	AVY	KIC...18	53.03.0155		DIL 20-POL. LOET	AVY								
C...	38	59.06.0683	.068 u	10% 63V PTFP	AVY	IC...	37	50.06.0996	SM 74 LS 995 N	AVY													
S T U D E R (01) 91/04/02 LAR AES INTERFACE						PL 1.862.664.22	PAGE 1	S T U D E R (01) 91/04/02 LAR AES INTERFACE						PL 1.862.664.22	PAGE 4	S T U D E R (01) 91/04/02 LAR AES INTERFACE						PL 1.862.664.22	PAGE 7
IND.	POS.NO.	PART NO.	VALUE	SPECIFICATIONS / EQUIVALENT	MANUF.	IND.	POS.NO.	PART NO.	VALUE	SPECIFICATIONS / EQUIVALENT	MANUF.	IND.	POS.NO.	PART NO.	VALUE	SPECIFICATIONS / EQUIVALENT	MANUF.						
C...	39	59.06.0683	.068 u	10% 63V PTFP	AVY	IC...	37	50.06.0113	SM 74 LS 113 R	AVY	KIC...04	53.03.0155		DIL 22-POL. LOET	AVY								
C...	40	59.06.0683	.068 u	10% 63V PTFP	AVY	IC...	38	50.11.1694	SM 74 HC 594 N	AVY	KIC...25	53.03.0155		DIL 22-POL. LOET	AVY								
C...	41	59.06.0683	.068 u	10% 63V PTFP	AVY	IC...	39	50.11.1694	SM 74 HC 594 N	AVY	KIC...26	53.03.0155		DIL 22-POL. LOET	AVY								
C...	42	59.06.0683	.068 u	10% 63V PTFP	AVY	IC...	40	50.17.1163	.. 74 ACT 163	AVY	KIC...32	53.03.0155		DIL 22-POL. LOET	AVY								
C...	43	59.06.0683	.068 u	10% 63V PTFP	AVY	IC...	41	50.17.1163	.. 74 ACT 163	AVY	KIC...33	53.03.0155		DIL 22-POL. LOET	AVY								
C...	44	59.06.0683	.068 u	10% 63V PTFP	AVY	IC...	42	50.14.0127	CV 7 C 122 - 35 PC	AVY	KIC...38	53.03.0155		DIL 16-POL. LOET	AVY								
C...	45	59.06.0683	.068 u	10% 63V PTFP	AVY	IC...	43	50.17.7574	.. 74 ACT 574	AVY	KIC...45	53.03.0155		DIL 24-POL. LOET	AVY								
C...	46	59.06.0683	.068 u	10% 63V PTFP	AVY	IC...	44	50.17.7574	.. 74 ACT 574	AVY	KIC...46	53.03.0155		DIL 24-POL. LOET	AVY								
C...	47	59.06.0683	.068 u	10% 63V PTFP	AVY	IC...	45	50.14.0127	CV 7 C 122 - 35 PC	(SM 1.862.865.20)	AVY	KIC...49	53.03.0155		DIL 20-POL. LOET	AVY							
C...	48	59.06.0683	.068 u	10% 63V PTFP	AVY	IC...	46	50.14.0127	CV 7 C 122 - 35 PC	(SM 1.862.866.20)	AVY	KIC...50	53.03.0155		DIL 20-POL. LOET	AVY							
C...	49	59.06.0683	.068 u	10% 63V PTFP	AVY	IC...	47	50.06.0996	SM 74 LS 995 N	(SM 1.862.865.20)	AVY	KIC...52	53.03.0155		DIL 24-POL. LOET	AVY							
C...	50	59.06.0683	.068 u	10% 63V PTFP	AVY	IC...	48	50.18.0100	16 V 8 - 25 LF	(SM 1.862.875.20)	AVY	KIC...56	53.03.0155		DIL 20-POL. LOET	AVY							
C...	51	59.06.0683	.068 u	10% 63V PTFP	AVY	IC...	49	50.18.0100	16 V 8 - 25 LF	(SM 1.862.875.20)	AVY	KIC...57	53.03.0155		DIL 24-POL. LOET	AVY							
C...	52	59.06.0683	.068 u	10% 63V PTFP	AVY	IC...	50	50.18.0100	16 V 8 - 25 LF	(SM 1.862.875.20)	AVY	KIC...58	53.03.0155		DIL 20-POL. LOET	AVY							
C...	53	59.06.0683	.068 u	10% 63V PTFP	AVY	IC...	51	50.14.0127	CV 7 C 122 - 35 PC	(SM 1.862.875.20)	AVY	KIC...59	53.03.0155		DIL 20-POL. LOET	AVY							
C...	54	59.06.0683	.068 u	10% 63V PTFP	AVY	IC...	52	50.14.0127	CV 7 C 122 - 35 PC	(SM 1.862.875.20)	AVY	KIC...60	53.03.0155		DIL 20-POL. LOET	AVY							
C...	55	59.06.0683	.068 u	10% 63V PTFP	AVY	IC...	53	50.17.7574	.. 74 ACT 574	(SM 1.862.875.21)	AVY	KIC...69	53.03.0155		DIL 20-POL. LOET	AVY							
C...	56	59.06.0683	.068 u	10% 63V PTFP	AVY	IC...	54	50.17.7574	.. 74 ACT 574	(SM 1.862.875.21)	AVY	KIC...70	53.03.0155		DIL 20-POL. LOET	AVY							
C...	57	59.06.0683	.068 u	10% 63V PTFP	AVY	IC...	55	50.18.0100	16 V 8 - 25 LF	(SM 1.862.875.21)	AVY	KIC...71	53.03.0155		DIL 20-POL. LOET	AVY							
C...	58	59.06.0683	.068 u	10% 63V PTFP	AVY	IC...	56	50.18.0100	16 V 8 - 25 LF	(SM 1.862.875.21)	AVY	KIC...72	53.03.0155		DIL 20-POL. LOET	AVY							
C...	59	59.06.0683	.068 u	10% 63V PTFP	AVY	IC...	57	50.17.7574	.. 74 ACT 574	(SM 1.862.875.21)	AVY	KIC...73	53.03.0155		DIL 20-POL. LOET	AVY							
C...	60	59.06.0683	.068 u	10% 63V PTFP	AVY	IC...	58	50.17.7574	.. 74 ACT 574	(SM 1.862.875.21)	AVY	KIC...74	53.03.0155		DIL 20-POL. LOET	AVY							
C...	61	59.06.0683	.068 u	10% 63V PTFP	AVY	IC...	59	50.18.0100	16 V 8 - 25 LF	(SM 1.862.875.21)	AVY	KIC...75	53.03.0155		DIL 20-POL. LOET	AVY							
C...	62	59.06.0683	.068 u	10% 63V PTFP	AVY	IC...	60	50.18.0100	16 V 8 - 25 LF	(SM 1.862.875.21)	AVY	KIC...76	53.03.0155		DIL 20-POL. LOET								

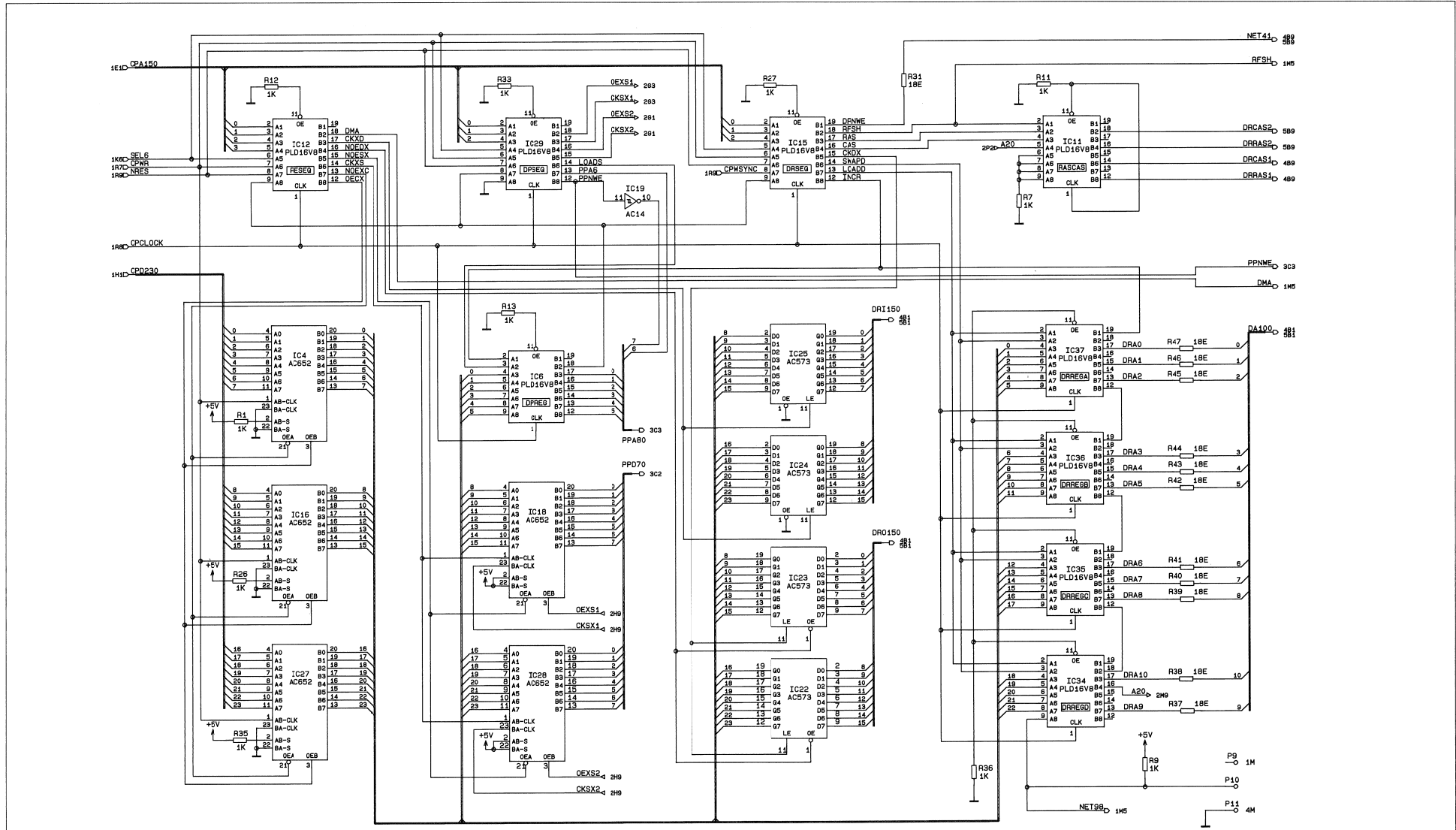
BLOCKDIAGRAM SOUND MEMORY



SOUND MEMORY 1.862.665.20



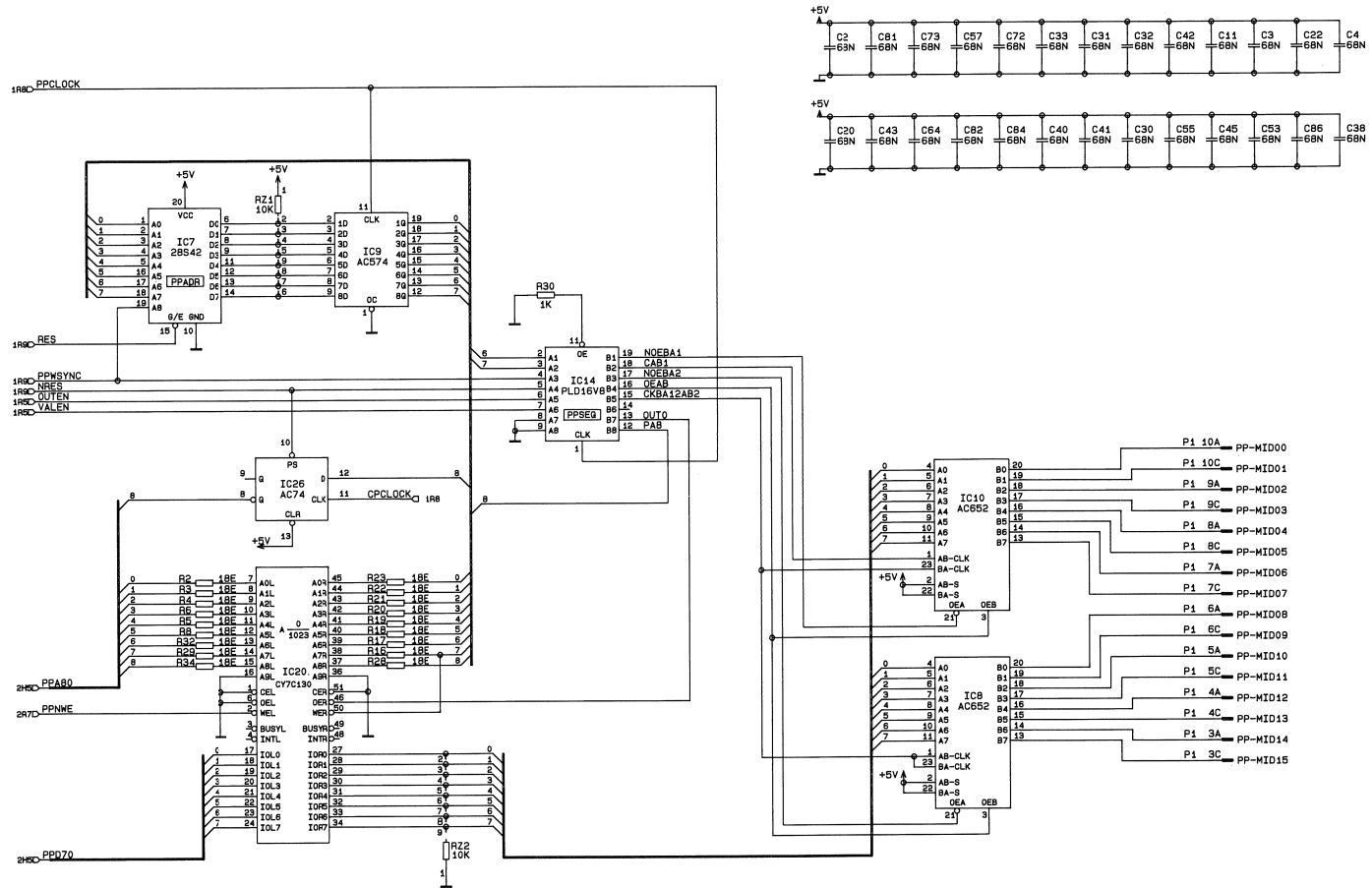
SOUND MEMORY 1.862.665.20



① 28.07.89 MB	① 28.06.90 LAR	② 17.08.90 LAR	○	
D820 MCH			PAGE 2 OF 6	
STUDER		SOUND MEMORY		SC 1.862.665-20

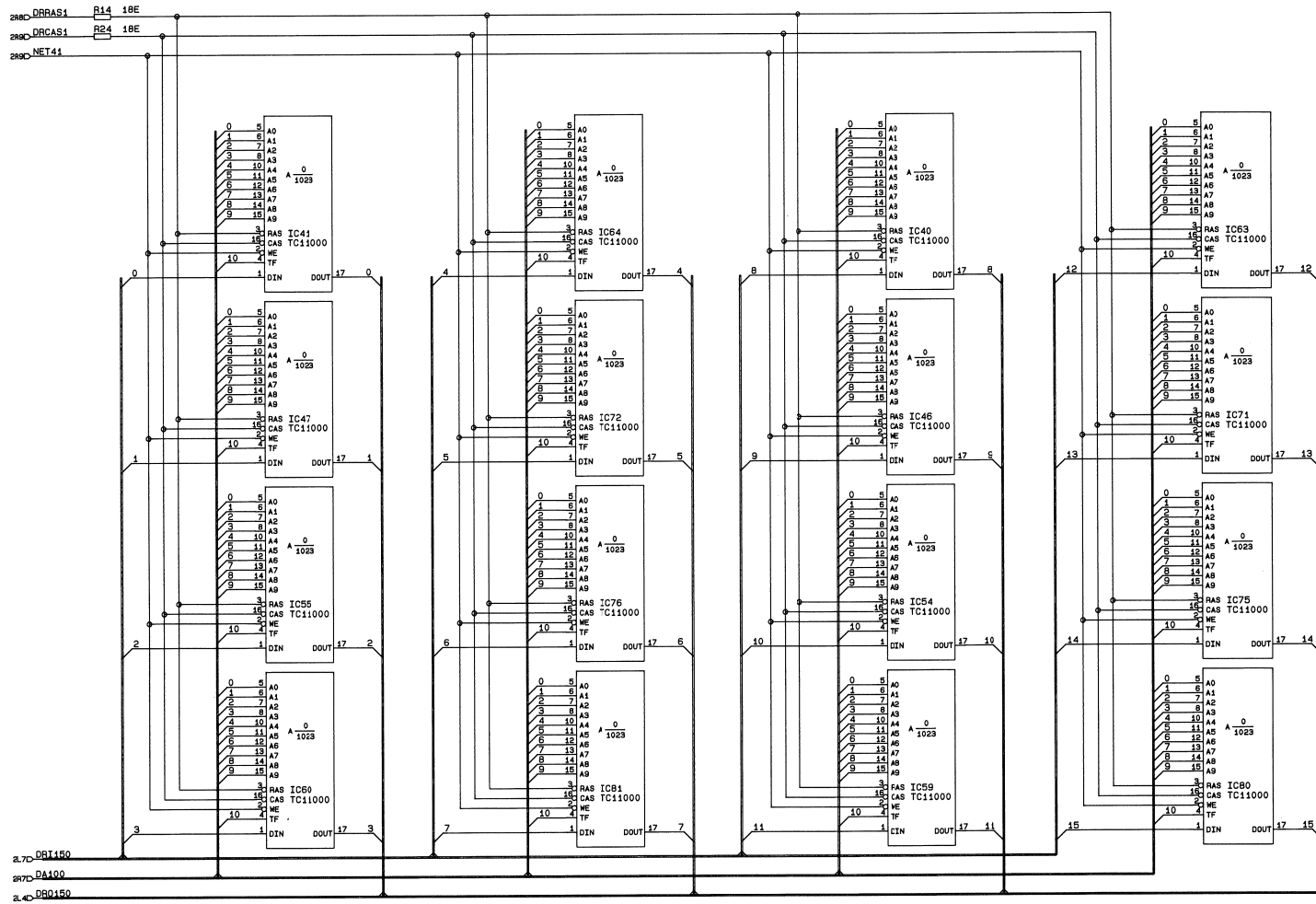
STUDER D820 MCH

SOUND MEMORY 1.862.665.20



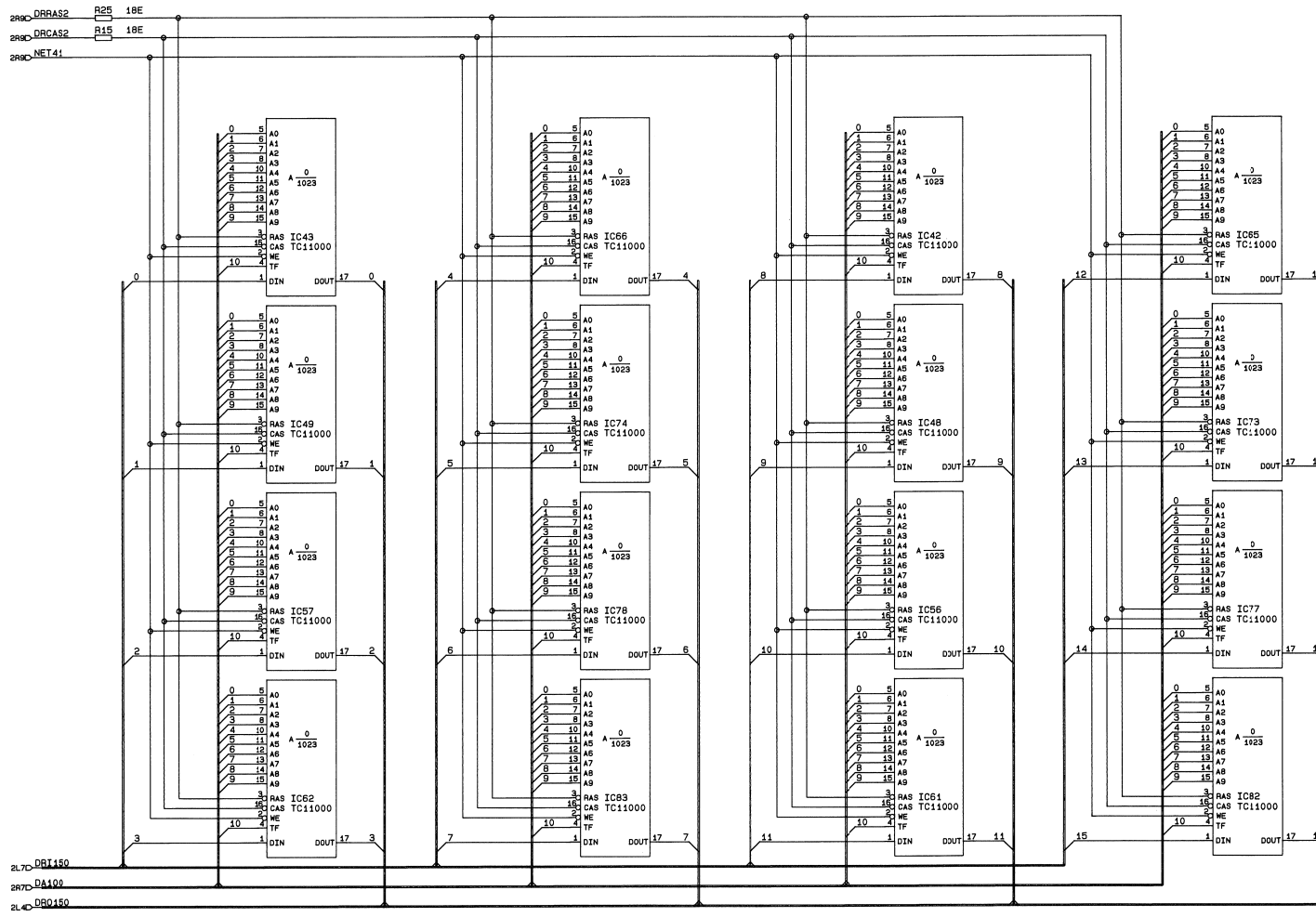
① 28.07.89 MB	① 28.06.90 LAR	② 17.08.90 LAR	○	○
D820 MCH				PAGE 3 OF 6
STUDER		SOUND MEMORY	SC 1.862.665-20	

SOUND MEMORY 1.862.665.20



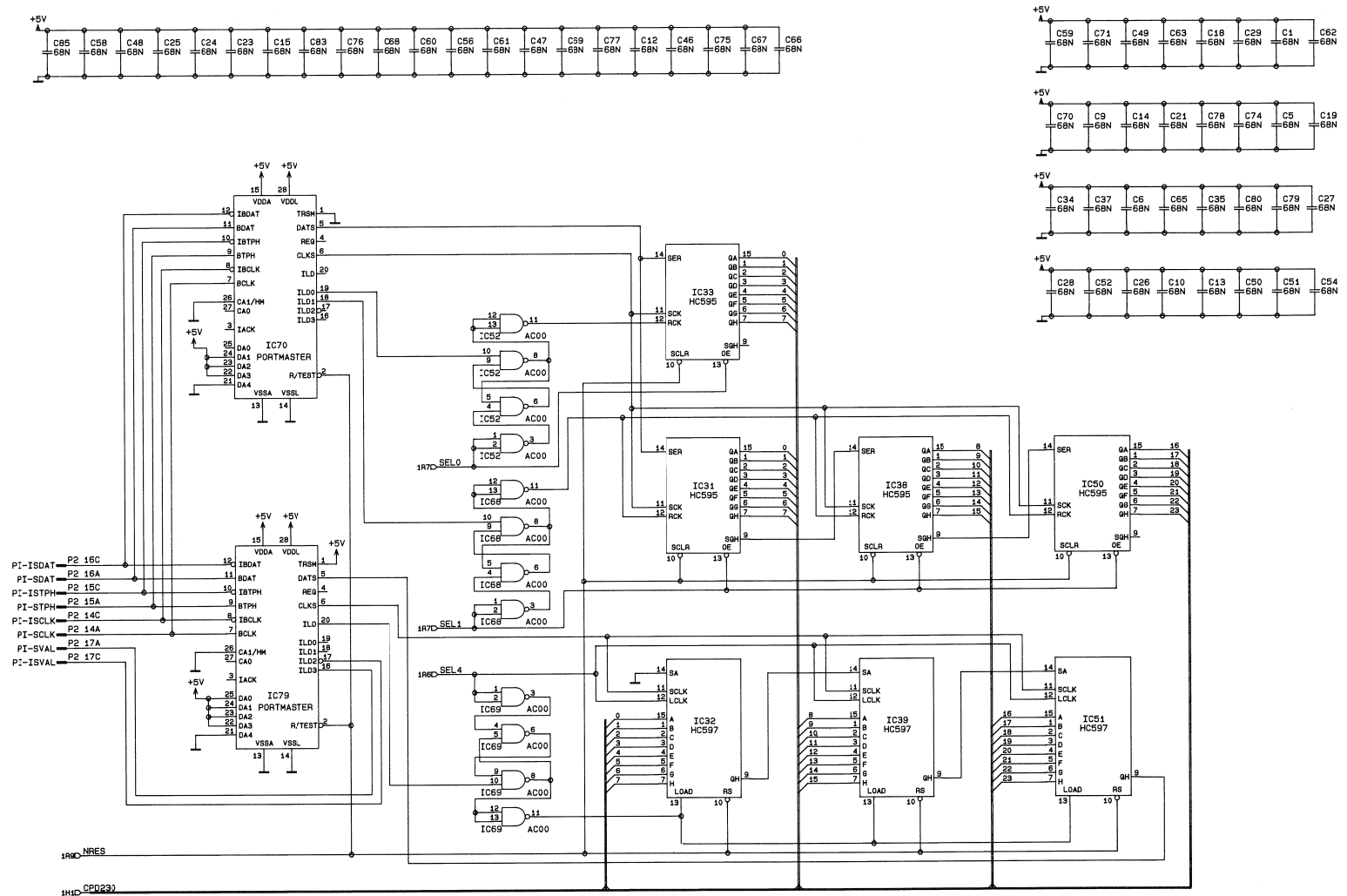
① 28.07.89 MB	① 28.06.90 LAR	② 17.08.90 LAR	○	○
D820 MCH				PAGE 4 OF 6
STUDER		SOUND MEMORY		SC 1.862.665-20

SOUND MEMORY 1.862.665.20



① 28.07.89 MB	④ 28.06.90 LAR	② 17.08.90 LAR	○
STUDER			PAGE 5 OF 6
SOUND MEMORY			SC 1.862.665-20

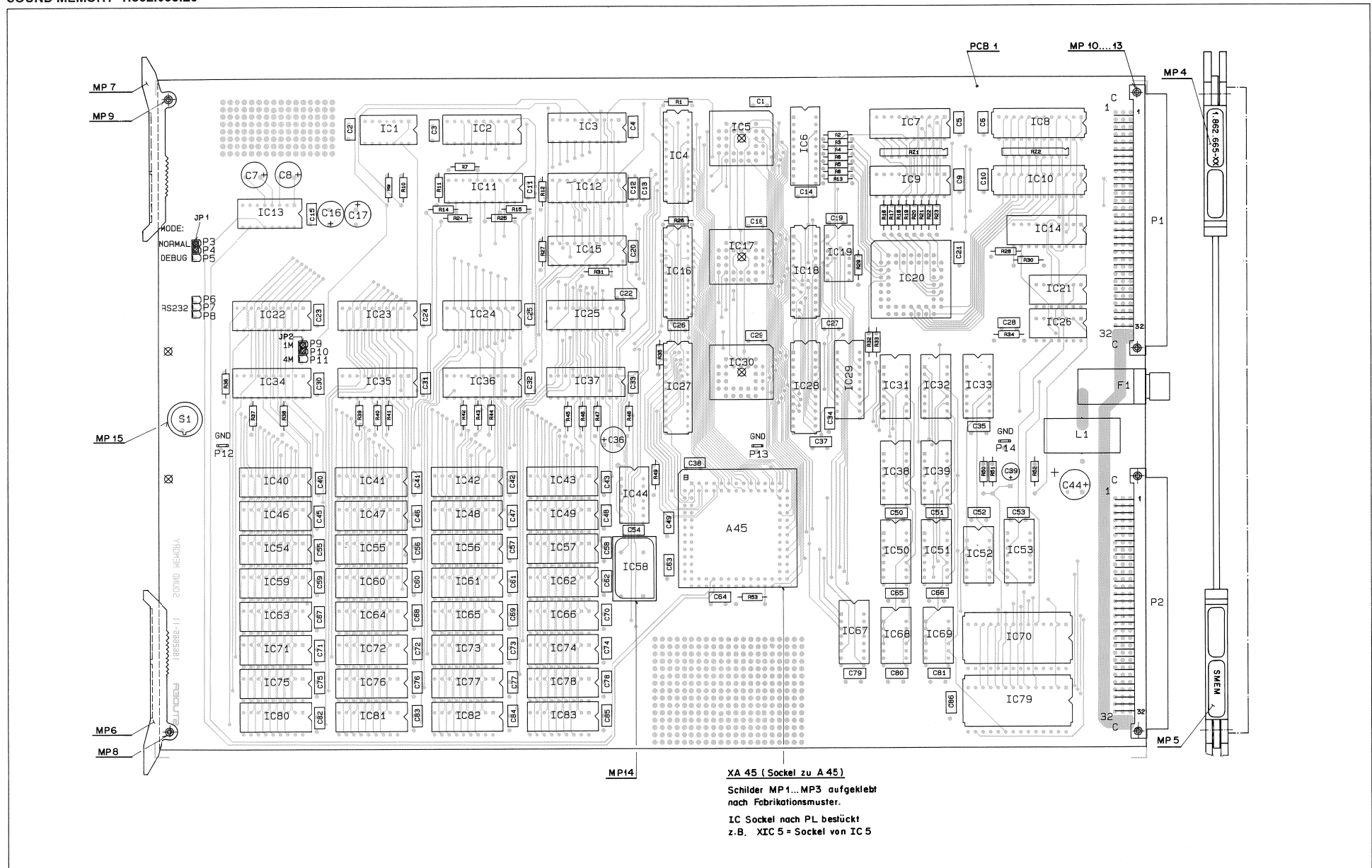
SOUND MEMORY 1.862.665.20



② 28.07.89 MB	① 28.06.90 LAR	② 17.08.90 LAR	○
DB20 MCH			PAGE 6 OF 6
STUDER		SOUND MEMORY	
		SC 1.862.665-20	

STUDER D820 MCH

SOUND MEMORY 1.862.665.20

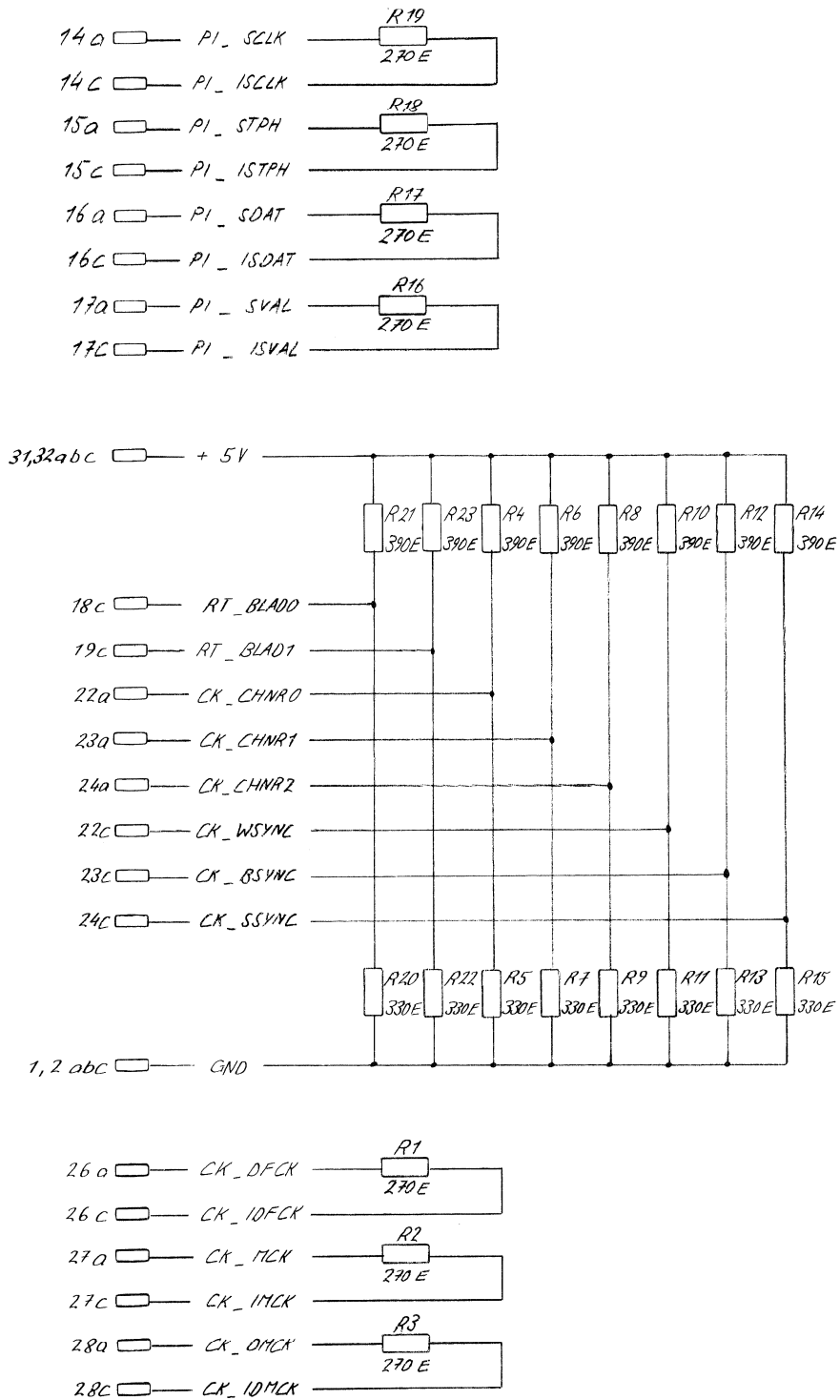


STUDER D820 MCH

SOUND MEMORY 1.862.665.20

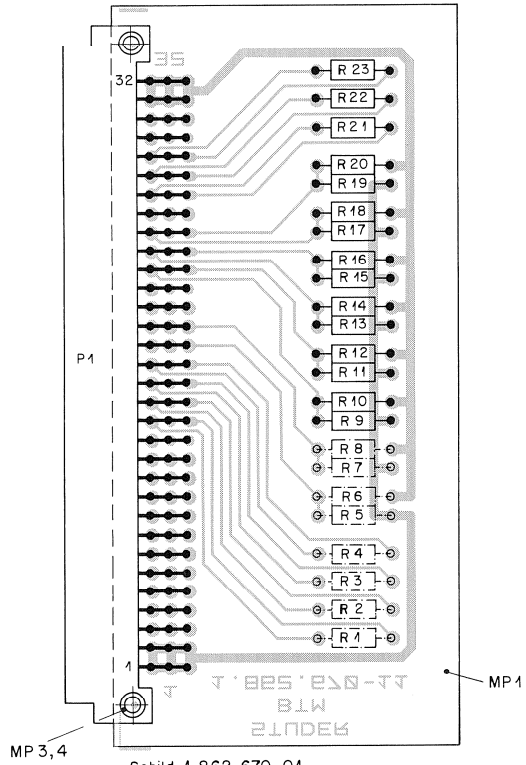
IND.	POS.NO.	PART NO.	VALUE	SPECIFICATIONS / EQUIVALENT	MANUF.	IND.	POS.NO.	PART NO.	VALUE	SPECIFICATIONS / EQUIVALENT	MANUF.	IND.	POS.NO.	PART NO.	VALUE	SPECIFICATIONS / EQUIVALENT	MANUF.	IND.	POS.NO.	PART NO.	VALUE	SPECIFICATIONS / EQUIVALENT	MANUF.	
A...	45	1.920.211.00	DEP56000			IC...	21	50.11.5074	74AC74			R....	11	50.11.3102	1k	MF, 1%								
C....	1	59.06.0683	68n	63V, 10% (59.06-2)		IC...	22	50.11.5879	74AC573			R....	12	50.11.3102	1k	MF, 1%								
C....	2	59.06.0683	68n	63V, 10% (59.06-2)		IC...	23	50.11.5879	74AC573			R....	13	50.11.3102	1k	MF, 1%								
C....	3	59.06.0683	68n	63V, 10% (59.06-2)		IC...	24	50.11.5879	74AC573			R....	14	50.11.3102	100	MF, 1%								
C....	4	59.06.0683	68n	63V, 10% (59.06-2)		IC...	25	50.11.5879	74AC573			R....	15	50.11.3102	100	MF, 1%								
C....	5	59.06.0683	68n	63V, 10% (59.06-2)		IC...	26	50.11.5879	74AC573			R....	16	50.11.3102	100	MF, 1%								
C....	6	59.06.0683	68n	63V, 10% (59.06-2)		IC...	27	50.11.5879	74AC573			R....	17	50.11.3102	100	MF, 1%								
C....	7	59.06.0683	68n	63V, 10% (59.06-2)		IC...	28	50.11.5879	74AC573			R....	18	50.11.3102	100	MF, 1%								
C....	8	59.22.4470	47k	16V, 20% (59.22-4)		IC...	29	50.14.0100	16V8			R....	19	50.11.3102	100	MF, 1%								
C....	9	59.06.0683	68n	63V, 10% (59.06-2)		IC...	30	50.63.1001	8527C54E	FLCC33 (SW 1.862.081-20)		R....	20	50.11.3102	100	MF, 1%								
C....	10	59.06.0683	68n	63V, 10% (59.06-2)		IC...	31	50.11.1995	74HC997	FLCC33 (SW 1.862.080-20)		R....	21	50.11.3102	100	MF, 1%								
C....	11	59.06.0683	68n	63V, 10% (59.06-2)		IC...	32	50.11.1997	74HC997			R....	22	50.11.3102	100	MF, 1%								
C....	12	59.06.0683	68n	63V, 10% (59.06-2)		IC...	33	50.11.1995	74HC997			R....	23	50.11.3102	100	MF, 1%								
C....	13	59.06.0683	68n	63V, 10% (59.06-2)		IC...	34	50.18.0100	16V8	(SW 1.862.085-20)		R....	24	50.11.3102	100	MF, 1%								
C....	14	59.06.0683	68n	63V, 10% (59.06-2)		IC...	35	50.18.0100	16V8	(SW 1.862.085-20)		R....	25	50.11.3102	100	MF, 1%								
C....	15	59.06.0683	68n	63V, 10% (59.06-2)		IC...	36	50.18.0100	16V8	(SW 1.862.085-20)		R....	26	50.11.3102	1k	MF, 1%								
C....	16	59.22.4470	47k	16V, 20% (59.22-4)		IC...	37	50.11.1995	74HC997	(SW 1.862.085-20)		R....	27	50.11.3102	100	MF, 1%								
C....	17	59.22.4470	47k	16V, 20% (59.22-4)		IC...	38	50.11.1995	74HC997			R....	28	50.11.3102	100	MF, 1%								
C....	18	59.06.0683	68n	63V, 10% (59.06-2)		IC...	39	50.11.1997	74HC997			R....	29	50.11.3102	100	MF, 1%								
C....	19	59.06.0683	68n	63V, 10% (59.06-2)		IC...	40	50.14.1500	TC1000	1M4 D-RAM		R....	30	50.11.3102	1k	MF, 1%								
C....	20	59.06.0683	68n	63V, 10% (59.06-2)		IC...	41	50.14.1500	TC1000	1M4 D-RAM		R....	31	50.11.3102	100	MF, 1%								
C....	21	59.06.0683	68n	63V, 10% (59.06-2)		IC...	42	50.14.1500	TC1000	1M4 D-RAM		R....	32	50.11.3102	100	MF, 1%								
C....	22	59.06.0683	68n	63V, 10% (59.06-2)		IC...	43	50.14.1500	TC1000	1M4 D-RAM		R....	33	50.11.3102	1k	MF, 1%								
C....	23	59.06.0683	68n	63V, 10% (59.06-2)		IC...	44	50.17.9014	74AC14	1M4 D-RAM		R....	34	50.11.3102	100	MF, 1%								
C....	24	59.06.0683	68n	63V, 10% (59.06-2)		IC...	45	50.14.1500	TC1000	1M4 D-RAM		R....	35	50.11.3102	1k	MF, 1%								
C....	25	59.06.0683	68n	63V, 10% (59.06-2)		IC...	46	50.14.1500	TC1000	1M4 D-RAM		R....	36	50.11.3102	1k	MF, 1%								
C....	26	59.06.0683	68n	63V, 10% (59.06-2)		IC...	47	50.14.1500	TC1000	1M4 D-RAM		R....	37	50.11.3102	100	MF, 1%								
C....	27	59.06.0683	68n	63V, 10% (59.06-2)		IC...	48	50.14.1500	TC1000	1M4 D-RAM		R....	38	50.11.3102	100	MF, 1%								
C....	28	59.06.0683	68n	63V, 10% (59.06-2)		IC...	49	50.14.1500	TC1000	1M4 D-RAM		R....	39	50.11.3102	100	MF, 1%								
C....	29	59.06.0683	68n	63V, 10% (59.06-2)		IC...	50	50.11.1995	74HC997			R....	40	50.11.3102	100	MF, 1%								
C....	30	59.06.0683	68n	63V, 10% (59.06-2)		IC...	51	50.11.1997	74HC997			R....	41	50.11.3102	100	MF, 1%								
C....	31	59.06.0683	68n	63V, 10% (59.06-2)		IC...	52	50.11.1995	74HC997			R....	42	50.11.3102	100	MF, 1%								
C....	32	59.06.0683	68n	63V, 10% (59.06-2)		IC...	53	50.15.0109	28L233	1M4 D-RAM		R....	43	50.11.3102	100	MF, 1%								
C....	33	59.06.0683	68n	63V, 10% (59.06-2)		IC...	54	50.14.1500	TC1000	1M4 D-RAM		R....	44	50.11.3102	100	MF, 1%								
C....	34	59.06.0683	68n	63V, 10% (59.06-2)		IC...	55	50.14.1500	TC1000	1M4 D-RAM		R....	45	50.11.3102	100	MF, 1%								
C....	35	59.06.0683	68n	63V, 10% (59.06-2)		IC...	56	50.11.1995	74HC997			R....	46	50.11.3102	100	MF, 1%								
C....	36	59.06.0683	68n	63V, 10% (59.06-2)		IC...	57	50.14.1500	TC1000	1M4 D-RAM		R....	47	50.11.3102	100	MF, 1%								
C....	37	59.06.0683	68n	63V, 10% (59.06-2)		IC...	58	50.14.1500	TC1000	1M4 D-RAM		R....	48	50.11.3102	100	MF, 1%								
C....	38	59.06.0683	68n	63V, 10% (59.06-2)		IC...	59	50.11.1995	74HC997			R....	49	50.11.3102	100	MF, 1%								
C....	39	59.06.0683	68n	63V, 10% (59.06-2)		IC...	60	50.11.1997	74HC997			R....	50	50.11.3102	100	MF, 1%								
C....	40	59.06.0683	68n	63V, 10% (59.06-2)		IC...	61	50.15.0109	28L233	1M4 D-RAM		R....	51	50.11.3102	100	MF, 1%								
C....	41	59.06.0683	68n	63V, 10% (59.06-2)		IC...	62	50.14.1500	TC1000	1M4 D-RAM		R....	52	50.11.3102	100	MF, 1%								
C....	42	59.06.0683	68n	63V, 10% (59.06-2)		IC...	63	50.14.1500	TC1000	1M4 D-RAM		R....	53	50.11.3102	100	MF, 1%								
C....	43	59.06.0683	68n	63V, 10% (59.06-2)		IC...	64	50.14.1500	TC1000	1M4 D-RAM		R....	54	50.11.3102	100	MF, 1%								
C....	44	59.22.4470	47k	16V, 20% (59.22-4)		IC...	65	50.17.9014	74AC14	1M4 D-RAM		R....	55	50.11.3102	1k	MF, 1%								
C....	45	59.06.0683	68n	63V, 10% (59.06-2)		IC...	66	50.14.1500	TC1000	1M4 D-RAM		R....	56	50.11.3102	100	MF, 1%								
C....	46	59.06.0683	68n	63V, 10% (59.06-2)		IC...	67	50.17.9014	74AC14	1M4 D-RAM		R....	57	50.11.3102	100	MF, 1%								
C....	47	59.06.0683	68n	63V, 10% (59.06-2)		IC...	68	50.14.1500	TC1000	1M4 D-RAM		R....	58	50.11.3102	100	MF, 1%								
C....	48	59.06.0683	68n	63V, 10% (59.06-2)		IC...	69	50.14.1500	TC1000	1M4 D-RAM		R....	59	50.11.3102	100	MF, 1%								
C....	49	59.06.0683	68n	63V, 10% (59.06-2)		IC...	70	50.14.1500	TC1000	1M4 D-RAM		R....	60	50.11.3102	100	MF, 1%								
C....	50	59.06.0683	68n	63V, 10% (59.06-2)		IC...	71	50.14.1500	TC1000	1M4 D-RAM		R....	61	50.11.3102	100	MF, 1%								
C....	51	59.06.0683	68n	63V, 10% (59.06-2)		IC...	72	50.14.1500	TC1000	1M4 D-RAM		R....	62	50.11.3102	100	MF, 1%								
C....	52	59.06.0683	68n	63V, 10% (59.06-2)		IC...	73	50.14.1500	TC1000	1M4 D-RAM		R....	63	50.11.3102	100	MF, 1%								
C....	53	59.06.0683	68n	63V, 10% (59.06-2)		IC...	74	50.14.1500	TC1000	1M4 D-RAM		R....	64	50.11.3102	100	MF, 1%								
C....	54	59.06.0683	68n	63V, 10% (59.06-2)		IC...																		

BUS TERMINATION 1.862.670.00



10.07.89	Bad
D820 MCH BUS-TERMINATION				PAGE 1 OF 1	
STUDER			SC	1.862.670-00	

BUS TERMINATION 1.862.670.00



Schild 1.862.670-01
aufgeklebt nach Fabrikationsmuster.

IND.	POS.NO.	PART NO.	VALUE	SPECIFICATIONS / EQUIVALENT	MANUF.
MP...	1	1.862.670.11		BUS TERMINATOR PCB	St
MP...	2	1.862.670.01		NR.-ETIKETTE 5 * 20	St
MP...	3	28.99.0119		ROHRNIETE D 2.5*0.15* 10	ANY
MP...	4	28.99.0119		ROHRNIETE D 2.5*0.15* 10	ANY
F....	1	54.01.0358		LEISTE 3 * 32 EURO PRINT	ANY
R....	9	57.11.3331	330	1%, 0207, MF	ANY
R....	10	57.11.3391	390	1%, 0207, MF	ANY
R....	11	57.11.3331	330	1%, 0207, MF	ANY
R....	12	57.11.3391	390	1%, 0207, MF	ANY
R....	13	57.11.3331	330	1%, 0207, MF	ANY
R....	14	57.11.3391	390	1%, 0207, MF	ANY
R....	15	57.11.3331	330	1%, 0207, MF	ANY
R....	16	57.11.3391	390	1%, 0207, MF	ANY
R....	17	57.11.3331	330	1%, 0207, MF	ANY
R....	18	57.11.3391	390	1%, 0207, MF	ANY
R....	19	57.11.3331	330	1%, 0207, MF	ANY
R....	20	57.11.3391	390	1%, 0207, MF	ANY
R....	21	57.11.3271	270	1%, 0207, MF	ANY
R....	22	57.11.3271	270	1%, 0207, MF	ANY
R....	23	57.11.3271	270	1%, 0207, MF	ANY

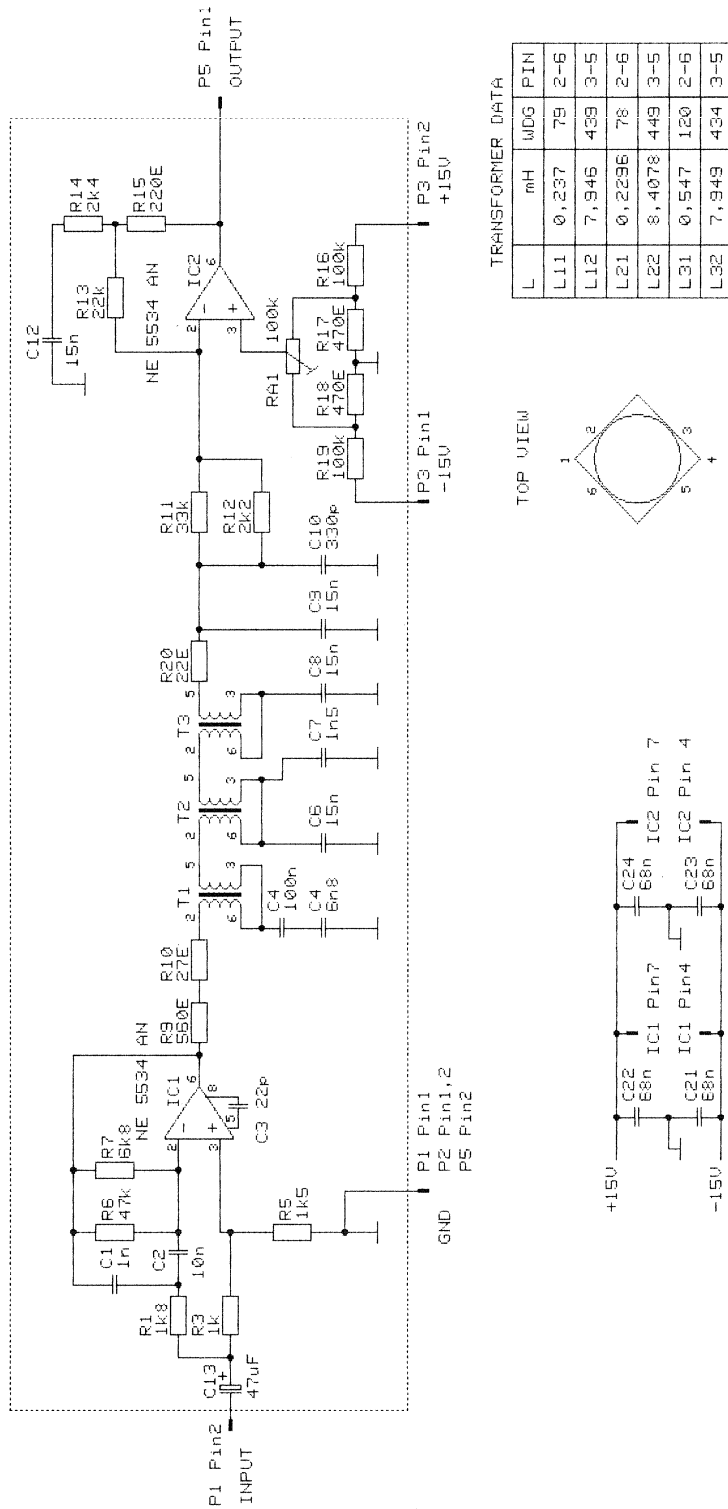
REMARKS: SERIEVERSION (R1...R0 je nach Bedarf fuer Extenderboard)

MANUFACTURERS:
St - STUDER, Ph - PHILIPS, DD - DARR BROWN, Ha - HARRIS

ABBREVIATIONS:
CER = CERAMIC / FILM = FILM TYPE / XF = CLAMP FOR FUSES /
XIC = IC SOCKET

ORIG B9/04/03
S T U D E R (00) 89/04/03 ZT BUS TERMINATION PL 1.862.670.00 PAGE 1

ANTI ALIASING FILTER 1.862.676.00

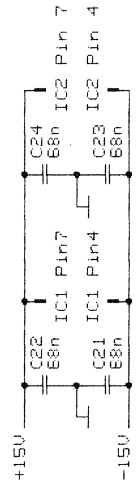
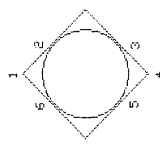


TRANSFORMER DATA

L	mH	WDG	PIN
L11	0,237	79	2-6
L12	7,946	439	3-5
L21	0,2296	78	2-6
L22	8,4078	449	3-5
L31	0,547	120	2-6
L32	7,949	434	3-5

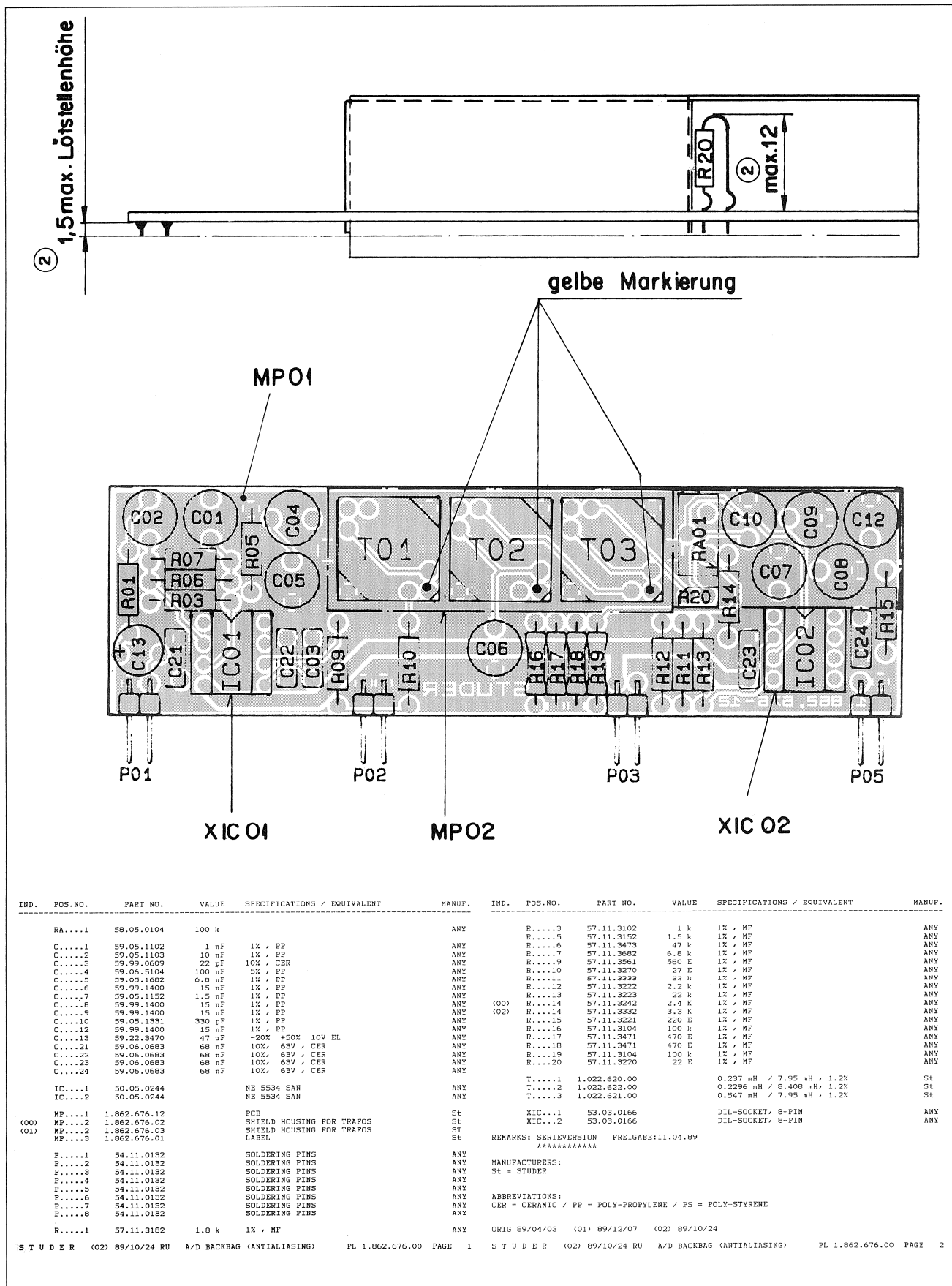
DIAM. OF COPER WIRE: 0,112
 TRANSFORMER COIL: AL 40, RM3

TOP VIEW



© 16.3.88 ER	① 4.9.90 RA		
D820 MCH A/D CONVERTER		PAGE 1 OF 1	
STUDER	AD BACKBAG (ANTI-ALIASING-FILTER)	SC	1.862.676.00

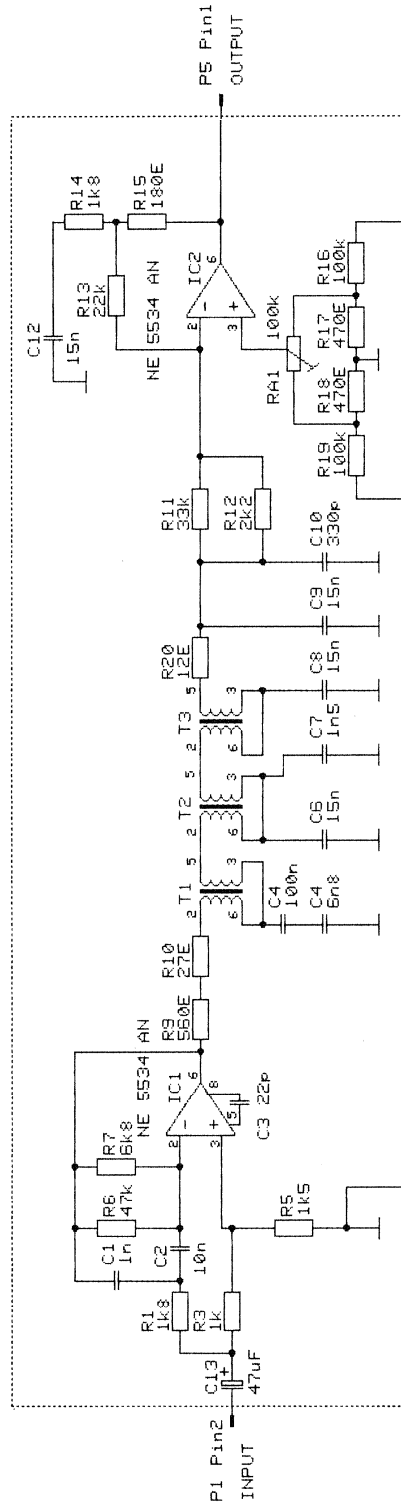
ANTI ALIASING FILTER 1.862.676.00



IND.	POS.NO.	PART NO.	VALUE	SPECIFICATIONS / EQUIVALENT	MANUF.	IND.	POS.NO.	PART NO.	VALUE	SPECIFICATIONS / EQUIVALENT	MANUF.
RA....1	58.05.0104	100 k			ANY	R....3	57.11.3102	1 k	1%, MF	ANY	
C....1	59.05.1102	1 nF	1%, PP		ANY	R....5	57.11.3152	1.5 k	1%, MF	ANY	
C....2	59.05.1103	10 nF	1%, PP		ANY	R....6	57.11.3473	47 k	1%, MF	ANY	
C....3	59.99.0609	22 pF	10%, CER		ANY	R....7	57.11.3692	6.8 k	1%, MF	ANY	
C....4	59.06.5104	100 nF	5%, PP		ANY	R....9	57.11.3561	560 E	1%, MF	ANY	
C....5	59.05.1002	0.0 nF	1%, PP		ANY	R....10	57.11.3270	27 E	1%, MF	ANY	
C....6	59.99.1400	15 nF	1%, PP		ANY	R....11	57.11.3223	33 k	1%, MF	ANY	
C....7	59.05.1152	1.5 nF	1%, PP		ANY	R....12	57.11.3222	2.2 k	1%, MF	ANY	
C....8	59.99.1400	15 nF	1%, PP		ANY	R....13	57.11.3223	22 k	1%, MF	ANY	
C....9	59.99.1400	15 nF	1%, PP		ANY	R....14	57.11.3242	2.4 k	1%, MF	ANY	
C....10	59.05.1331	330 pF	1%, PP		ANY	R....14	57.11.3532	3.3 k	1%, MF	ANY	
C....12	59.99.1400	15 nF	1%, PP		ANY	R....15	57.11.3221	220 E	1%, MF	ANY	
C....13	59.22.3470	47 nF	-20% +50% 10V EL		ANY	R....16	57.11.3104	100 k	1%, MF	ANY	
C....21	59.06.0683	68 nF	10%, 63V, CER		ANY	R....17	57.11.3471	470 E	1%, MF	ANY	
C....22	59.06.0683	68 nF	10%, 63V, CER		ANY	R....18	57.11.3471	470 E	1%, MF	ANY	
C....23	59.06.0683	68 nF	10%, 63V, CER		ANY	R....19	57.11.3104	100 k	1%, MF	ANY	
C....24	59.06.0683	68 nF	10%, 63V, CER		ANY	R....20	57.11.3220	22 E	1%, MF	ANY	
IC....1	50.05.0244		NE 5534 SAN		ANY	T....1	1.022.620.00		0.237 mH / 7.95 mH, 1.2%	St	
IC....2	50.05.0244		NE 5534 SAN		ANY	T....2	1.022.622.00		0.2296 mH / 8.408 mH, 1.2%	St	
						T....3	1.022.621.00		0.547 mH / 7.95 mH, 1.2%	St	
MP....1	1.862.676.12		PCB		St	XIC....1	53.03.0166		DIL-SOCKET, 8-PIN	ANY	
(00)	MP....2	1.862.676.02		SHIELD HOUSING FOR TRAFOS	St	XIC....2	53.03.0166		DIL-SOCKET, 8-PIN	ANY	
(01)	MP....3	1.862.676.03		SHIELD HOUSING FOR TRAFOS	St						
	MP....3	1.862.676.01		LABEL	St						
										REMARKS: SERIEVERSION FREIGABE:11.04.09	

F....1	54.11.0132			SOLDERING PINS	ANY					MANUFACTURERS:	
F....2	54.11.0132			SOLDERING PINS	ANY					St = STUDER	
F....3	54.11.0132			SOLDERING PINS	ANY						
F....4	54.11.0132			SOLDERING PINS	ANY						
F....5	54.11.0132			SOLDERING PINS	ANY						
F....6	54.11.0132			SOLDERING PINS	ANY						
F....7	54.11.0132			SOLDERING PINS	ANY						
F....8	54.11.0132			SOLDERING PINS	ANY						
R....1	57.11.3182	1.8 k	1%, MF		ANY					ABBREVIATIONS:	
										CER = CERAMIC / PP = POLY-PROPYLENE / PS = POLY-STYRENE	
										ORIG 89/04/03 (01) 89/12/07 (02) 89/10/24	

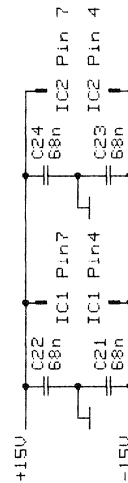
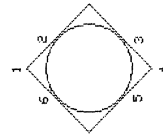
ANTI ALIASING FILTER 1.862.676.81



TRANSFORMER DATA

L	mH	WDG	PIN
L11	0,237	78	2-6
L12	7,946	435	3-5
L21	0,2319	77	2-6
L22	8,462	446	3-5
L31	0,547	1.8	2-6
L32	7,949	430	3-5

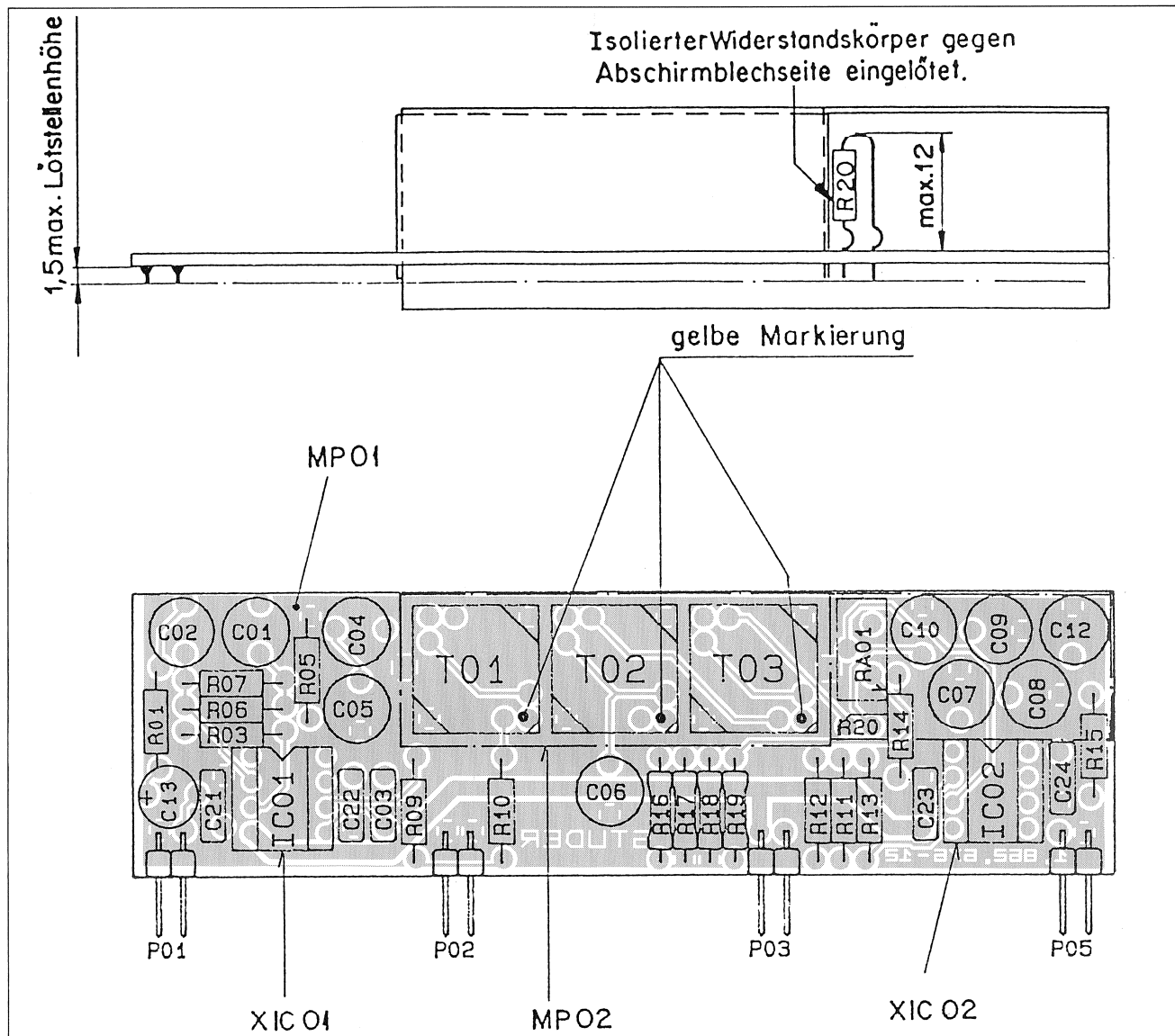
TOP VIEW



DIAM. OF COPPER WIRE: 0,112
 TRANSFORMER COIL: AL 40, RMG

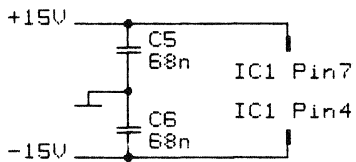
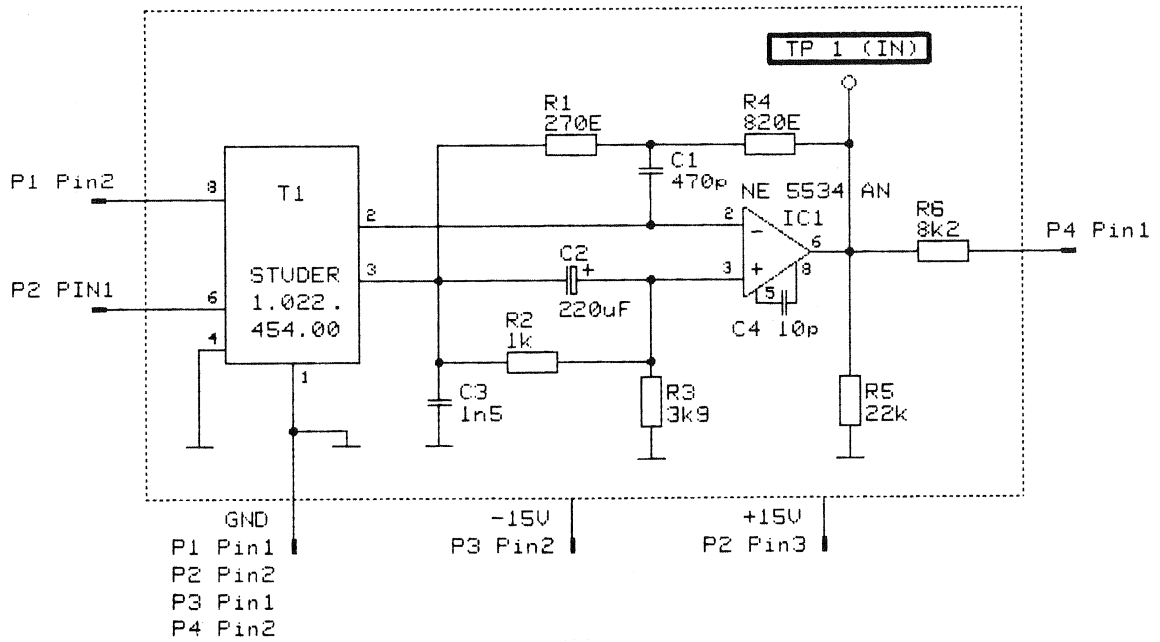
© 4.9.90 RA	D820 MCH A/D CONVERTER	PAGE 1 OF 1
STUDER	AD BACKBAG (ANTI-ALIASING-FILTER)	SC 1.862.676.81

ANTI ALIASING FILTER 1.862.676.81



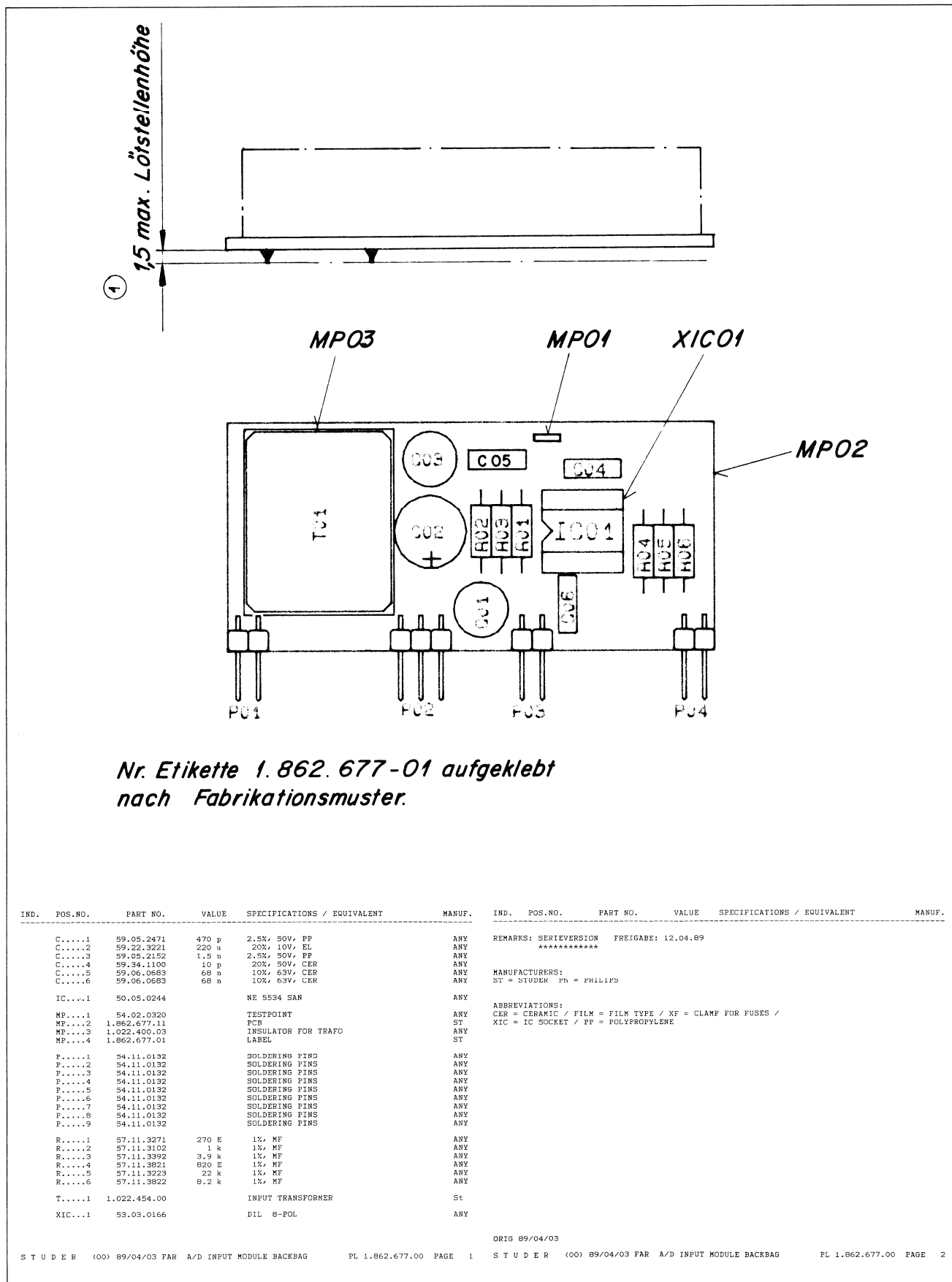
IND.	POS.NO.	PART NO.	VALUE	SPECIFICATIONS / EQUIVALENT	MANUF.	IND.	POS.NO.	PART NO.	VALUE	SPECIFICATIONS / EQUIVALENT	MANUF.
RA....1		58.05.0104	100 k		ANY	R....5		57.99.0253	1.5 k	0.1% / MF	ANY
C....1		59.05.1102	1 nF	1% / PP	ANY	R....6		57.11.3473	47 k	1% / MF	ANY
C....2		59.05.1103	10 nF	1% / PP	ANY	R....7		57.99.0250	6.8 k	0.1% / MF	ANY
C....3		59.99.0609	22 pF	10% / CER	ANY	R....9		57.99.0258	560 E	0.1% / MF	ANY
C....4		59.06.5104	100 nF	5% / PP	ANY	R....10		57.11.3270	27 E	1% / MF	ANY
C....5		59.05.1682	6.8 nF	1% / PP	ANY	R....11		57.11.3333	33 k	1% / MF	ANY
C....6		59.99.1400	15 nF	1% / PP	ANY	R....12		57.11.3222	2.2 k	1% / MF	ANY
C....7		59.05.1152	1.5 nF	1% / PP	ANY	R....13		57.11.3223	22 k	1% / MF	ANY
C....8		59.99.1400	15 nF	1% / PP	ANY	R....14		57.99.0257	1.8 k	0.1% / MF	ANY
C....9		59.99.1400	15 nF	1% / PP	ANY	R....15		57.11.3181	180 E	1% / MF	ANY
C....10		59.05.1331	330 pF	1% / PP	ANY	R....16		57.11.3104	100 k	1% / MF	ANY
C....11		59.99.1400	15 nF	1% / PP	ANY	R....17		57.11.3471	470 E	1% / MF	ANY
C....12		59.99.1400	15 nF	1% / PP	ANY	R....18		57.11.3471	470 E	1% / MF	ANY
C....13		59.22.3470	47 uF	-20% +50% 10V EL	ANY	R....19		57.11.3104	100 k	1% / MF	ANY
C....21		59.06.0683	68 nF	10% / 63V / CER	ANY	R....20		57.11.3120	12 E	1% / MF	ANY
C....22		59.06.0683	68 nF	10% / 63V / CER	ANY	T....1		1.022.620.81		0.237 mH / 7.95 mH / 0.5%	St
C....23		59.06.0683	68 nF	10% / 63V / CER	ANY	T....2		1.022.622.81		0.2315 mH / 8.492 mH / 0.5%	St
C....24		59.06.0683	68 nF	10% / 63V / CER	ANY	T....3		1.022.621.81		0.547 mH / 7.95 mH / 0.5%	St
IC....1		50.05.0244		NE 5534 SAN	ANY	XIC...1		53.03.0166		DIL-SOCKET, 8-PIN	ANY
IC....2		50.05.0244		NE 5534 SAN	ANY	XIC...2		53.03.0166		DIL-SOCKET, 8-PIN	ANY
MP....1		1.862.676.12		PCB	St	REMARKS:					
MP....2		1.862.676.03		SHIELD HOUSING FOR TRAFOS	St	MANUFACTURERS:					
MP....3		1.862.676.01		LABEL	St	St = STUDER					
P....1		54.11.0132		SOLDERING PINS	ANY	ABBREVIATIONS:					
P....2		54.11.0132		SOLDERING PINS	ANY	CER = CERAMIC / PP = POLY-PROPYLENE / PS = POLY-STYRENE					
P....3		54.11.0132		SOLDERING PINS	ANY	ORIG 90/08/10					
P....4		54.11.0132		SOLDERING PINS	ANY						
P....5		54.11.0132		SOLDERING PINS	ANY						
P....6		54.11.0132		SOLDERING PINS	ANY						
P....7		54.11.0132		SOLDERING PINS	ANY						
P....8		54.11.0132		SOLDERING PINS	ANY						
R....1		57.99.0257	1.8 k	0.1% / MF	ANY						
R....3		57.99.0256	1 k	0.1% / MF	ANY						

A/D INPUT MODULE 1.862.677.00



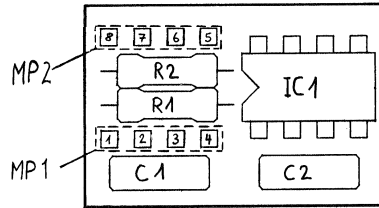
© 16.3.88 ER				
		D820 MCH A/D CONVERTER		PAGE 1 OF 1
STUDER	AD INPUT MODULE		SC	1.862.677.00

A/D INPUT MODULE 1.862.677.00

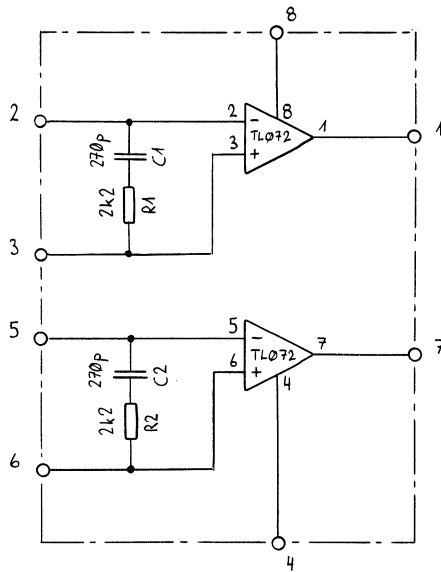


CUE PIGGY BAG 1.862.684.00

COMPONENT LAYOUT :



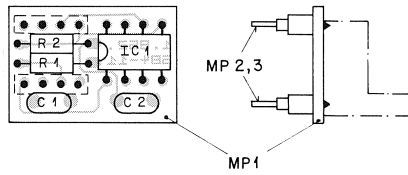
SCHEME :



POSITION : Every CUE- BOARD will have two PIGGI BACK.
 PIGGI BACK ① will be connected with the socket of IC15.
 PIGGI BACK ② will be connected with the socket of IC51.

① 08.12.89	grr	○ ..	○ ..	○ ..	○ ..
D820 MCH CUE PIGGI BACK					PAGE 1 OF 1
STUDER				SC	1.862.684-00

CUE PIGGY BAG 1.862.684.00



IND.	POS.NO.	PART NO.	VALUE	SPECIFICATIONS / EQUIVALENT	MANUF.
	C....01	59.34.4271	270 p	5%, N750 , CER	ANY
	C....02	59.34.4271	270 p	5%, N750 , CER	ANY
	1L...01	50.09.0124		TL 072 BCP	ANY
	MP...01	1.862.684.11		PCB	St
	MP...02	53.03.0251		LEISTE ***** QTY 4 *****	ANY
	MP...03	53.03.0251		LEISTE ***** QTY 4 *****	ANY
	R....01	57.11.3222	2,2 k	1%, 0207 / MF	ANY
	R....02	57.11.3222	2,2 k	1%, 0207 / MF	ANY

REMARKS:

MANUFACTURERS:
St = STUDER / Ph = PHILIPS / So = SONY

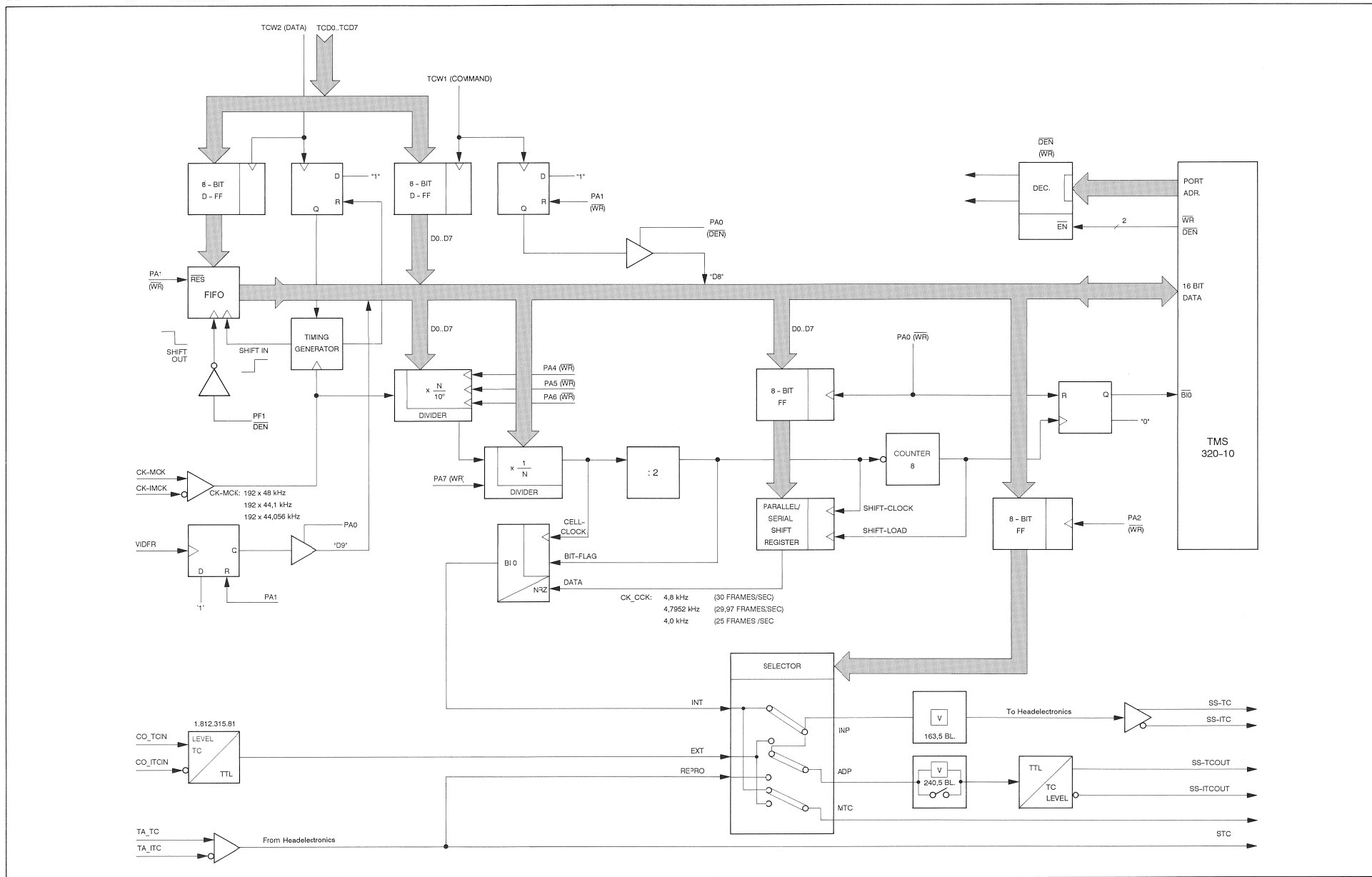
ABBREVIATIONS:
CER = CERAMIC / FILM = FILM TYPE / XF = CLAMP FOR FUSES /
XIC = IC SOCKET

ORIG 90/01/19

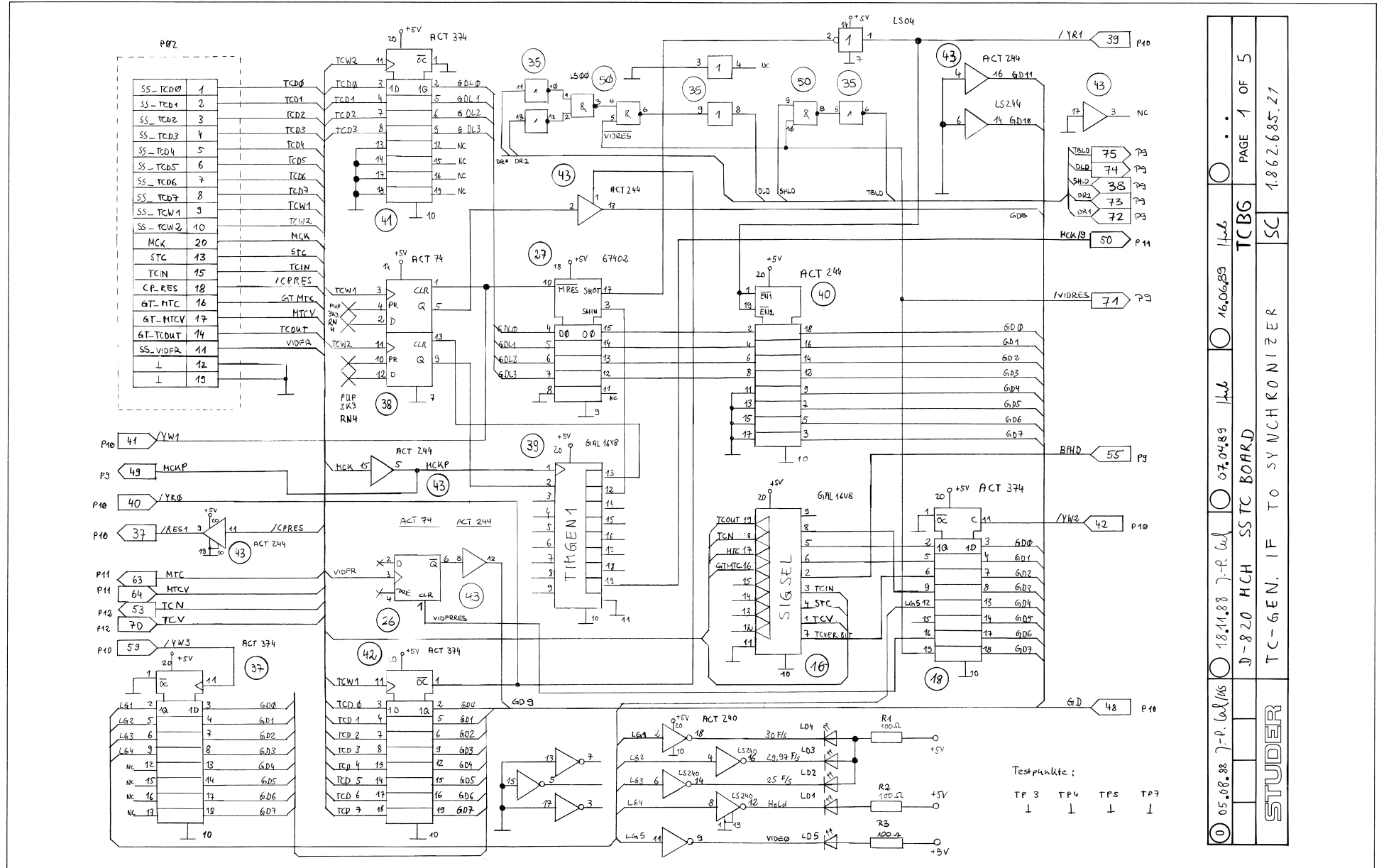
S T U D E R (00) 90/01/19 BAD CUE PIGGI BACK

PL 1.862.684.00 PAGE 1

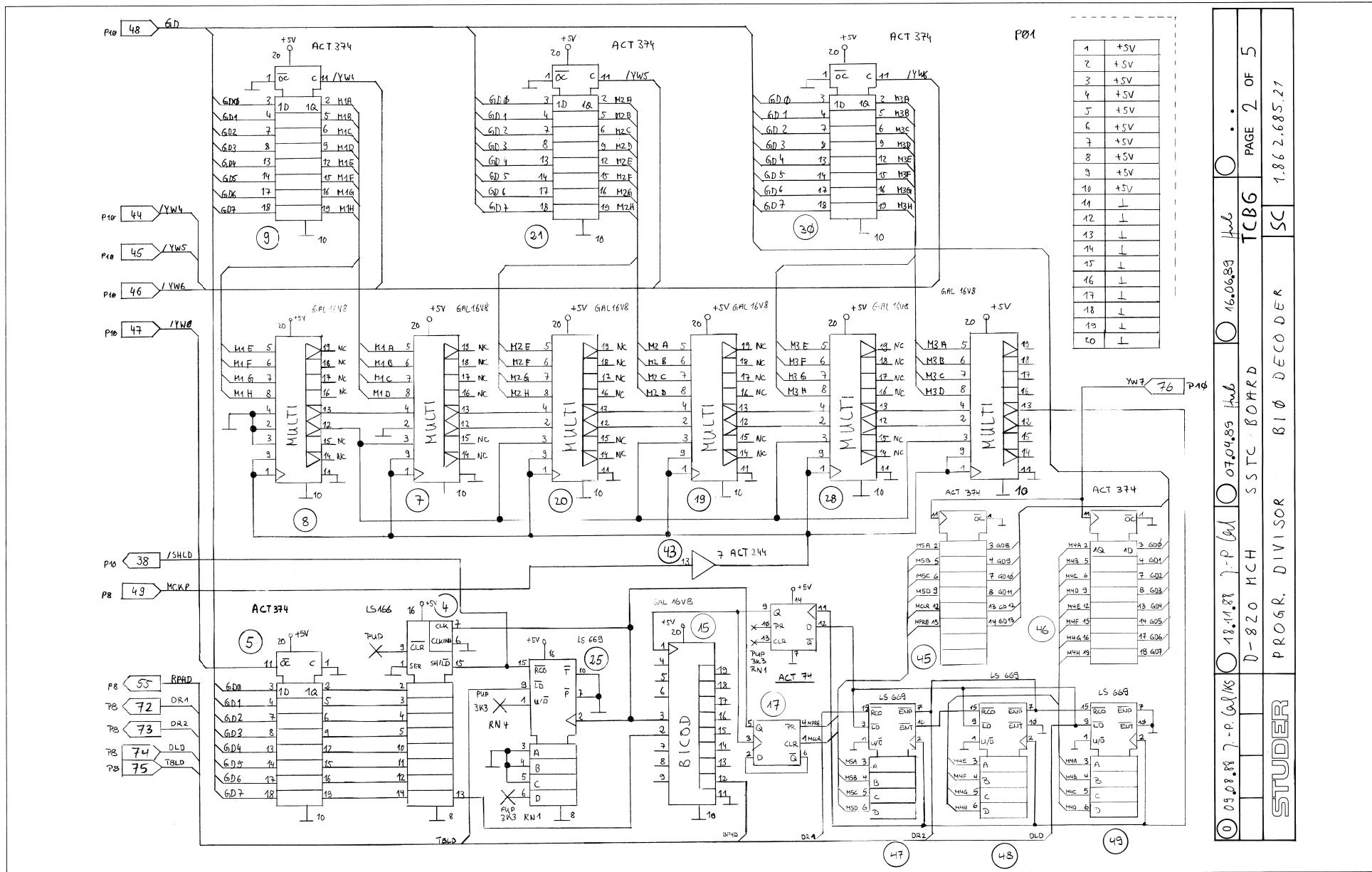
BLOCK DIAGRAM TIME CODE BACKBAG



TIME CODE BACKBAG 1.862.685.21

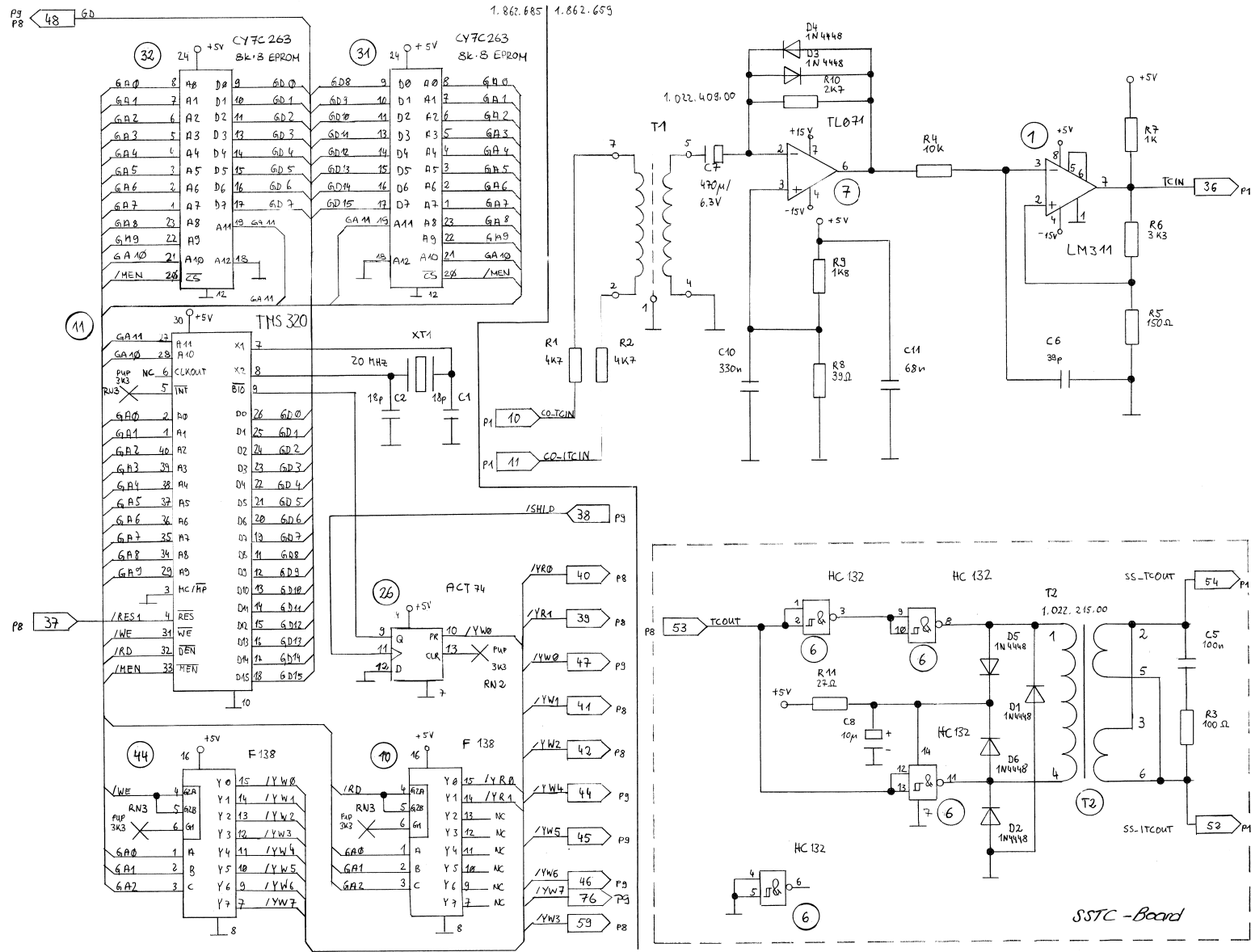


TIME CODE BACKBAG 1.862.685.21



0 09.08.88 7-P. GAL/KS 18.11.88 7-P. GAL 16.06.89 JWB
 D-820 MCH S5TC BOARD TCBG
 PROG. DIVISOR B10 DECODER SC 1.862.685.21
 PAGE 2 OF 5

TIME CODE BACKBAG 1.862.685.21

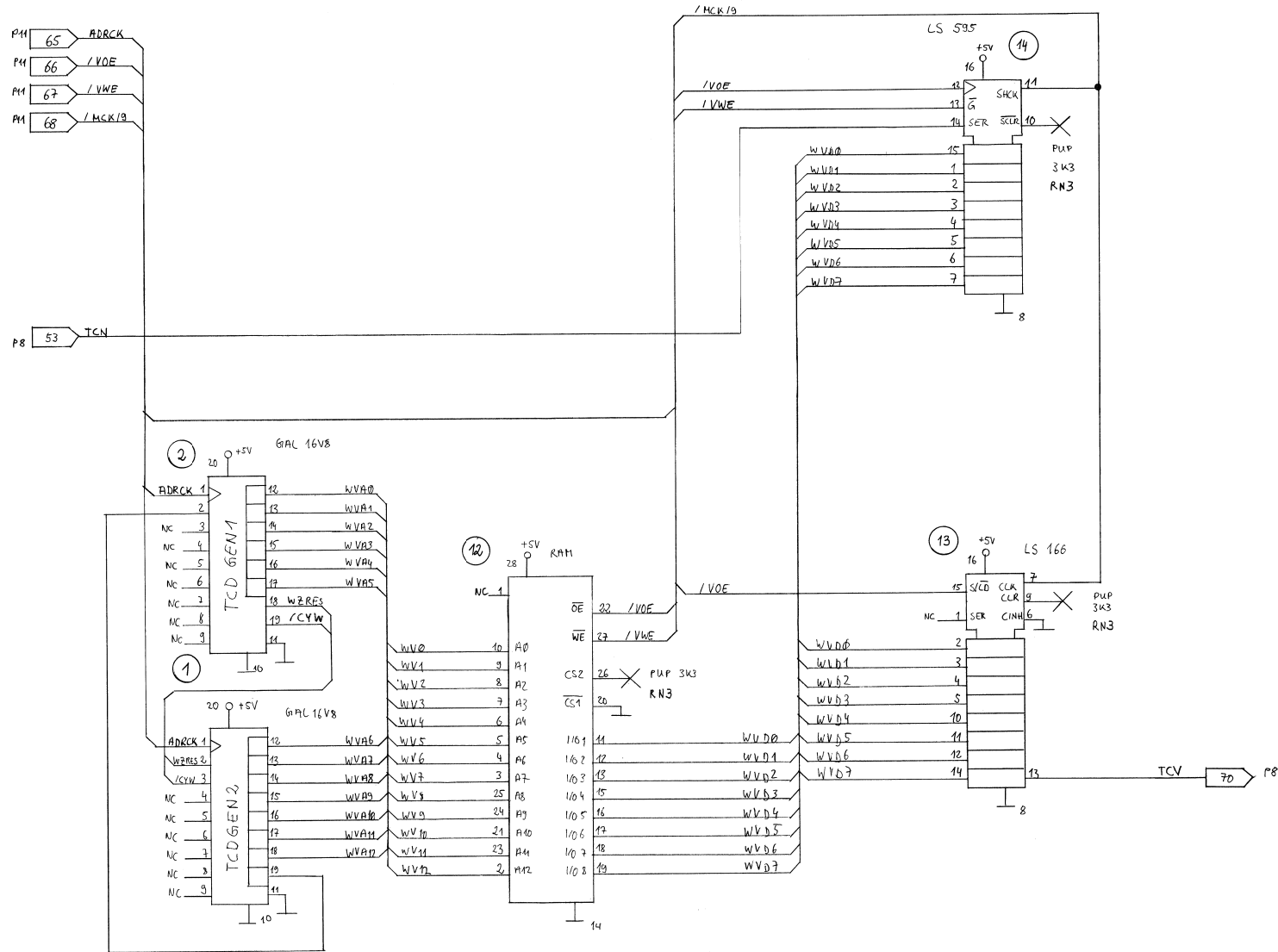


1.862.659.21

002588	7-P. Gd/MS	18.11.88	7-P. Gd	07.04.89	Hub	16.06.89	Hub
TCBG							
PAGE 3 OF 5							
D-820 MCH SSTS BOARD							
TMS SYSTEM + PEGEL WANDLER							
SC							
1.862.685.21							

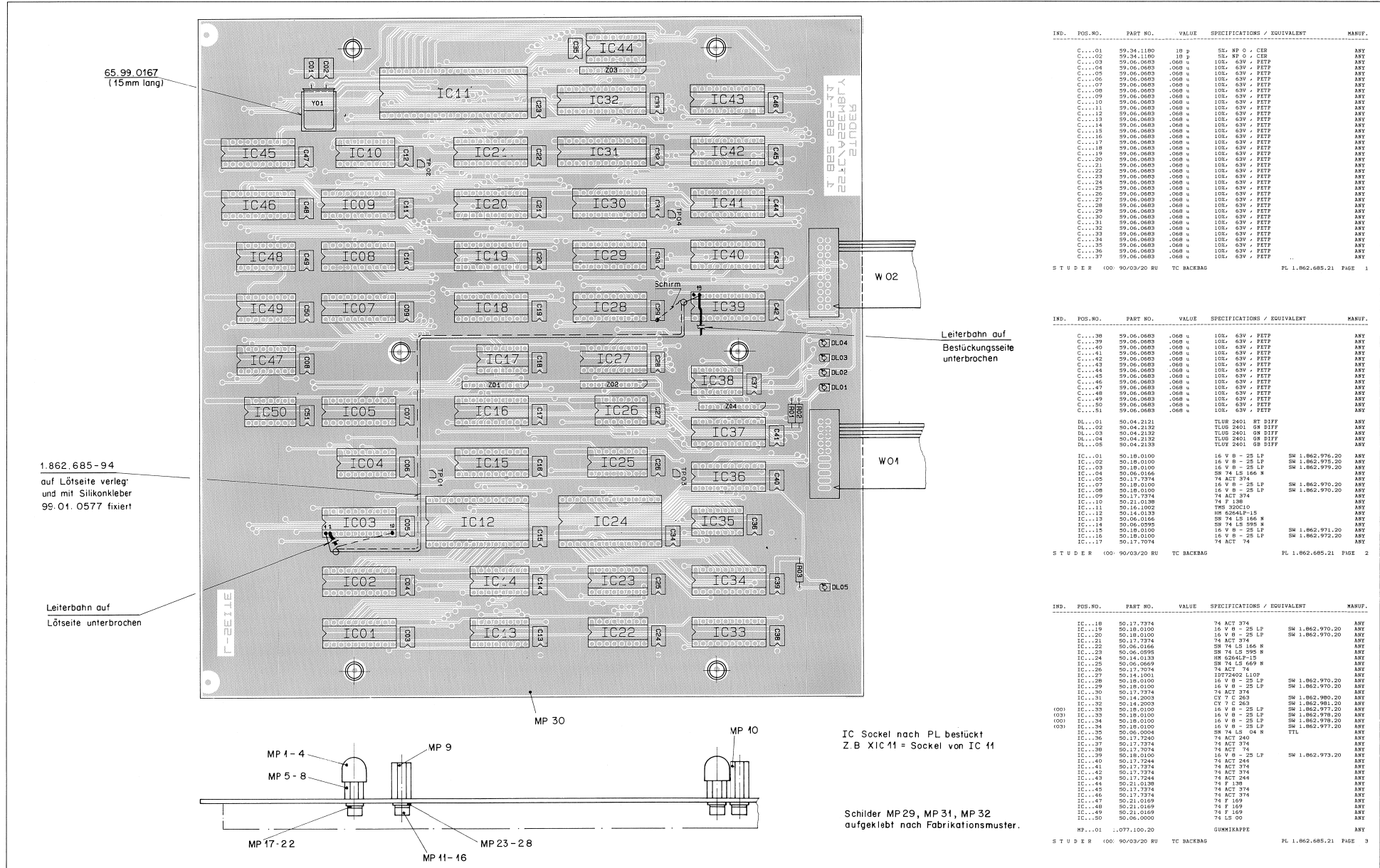
STUDER

TIME CODE BACKBAG 1.862.685.21



0	20.08.88	7.-P. Gen. 1/85	1	18.11.88	7.-P. Gen.	0	07.04.89	Hub	0	16.06.89	Hub	0	16.06.89	Hub
TCB6														
D-820 MCH SS TC BOARD														
TC VERZÖGERUNG (236,5)														
STUDER														
										PAGE 5 OF 5				
										SC				
1.862.685.21														

TIME CODE BACKBAG 1.862.685.21



IND.	POS.NO.	PART NO.	VALUE	SPECIFICATIONS / EQUIVALENT	MANUF.
C...	01	59.34.1180	10 p	5% NP 0 / CER	ARY
C...	02	59.34.1180	10 p	5% NP 0 / CER	ARY
C...	03	59.06.0683	-068 u	10% 63V / EPTD	ARY
C...	04	59.06.0683	-068 u	10% 63V / EPTD	ARY
C...	05	59.06.0683	-068 u	10% 63V / EPTD	ARY
C...	06	59.06.0683	-068 u	10% 63V / EPTD	ARY
C...	07	59.06.0683	-068 u	10% 63V / EPTD	ARY
C...	08	59.06.0683	-068 u	10% 63V / EPTD	ARY
C...	09	59.06.0683	-068 u	10% 63V / EPTD	ARY
C...	10	59.06.0683	-068 u	10% 63V / EPTD	ARY
C...	11	59.06.0683	-068 u	10% 63V / EPTD	ARY
C...	12	59.06.0683	-068 u	10% 63V / EPTD	ARY
C...	13	59.06.0683	-068 u	10% 63V / EPTD	ARY
C...	14	59.06.0683	-068 u	10% 63V / EPTD	ARY
C...	15	59.06.0683	-068 u	10% 63V / EPTD	ARY
C...	16	59.06.0683	-068 u	10% 63V / EPTD	ARY
C...	17	59.06.0683	-068 u	10% 63V / EPTD	ARY
C...	18	59.06.0683	-068 u	10% 63V / EPTD	ARY
C...	19	59.06.0683	-068 u	10% 63V / EPTD	ARY
C...	20	59.06.0683	-068 u	10% 63V / EPTD	ARY
C...	21	59.06.0683	-068 u	10% 63V / EPTD	ARY
C...	22	59.06.0683	-068 u	10% 63V / EPTD	ARY
C...	23	59.06.0683	-068 u	10% 63V / EPTD	ARY
C...	24	59.06.0683	-068 u	10% 63V / EPTD	ARY
C...	25	59.06.0683	-068 u	10% 63V / EPTD	ARY
C...	26	59.06.0683	-068 u	10% 63V / EPTD	ARY
C...	27	59.06.0683	-068 u	10% 63V / EPTD	ARY
C...	28	59.06.0683	-068 u	10% 63V / EPTD	ARY
C...	29	59.06.0683	-068 u	10% 63V / EPTD	ARY
C...	30	59.06.0683	-068 u	10% 63V / EPTD	ARY
C...	31	59.06.0683	-068 u	10% 63V / EPTD	ARY
C...	32	59.06.0683	-068 u	10% 63V / EPTD	ARY
C...	33	59.06.0683	-068 u	10% 63V / EPTD	ARY
C...	34	59.06.0683	-068 u	10% 63V / EPTD	ARY
C...	35	59.06.0683	-068 u	10% 63V / EPTD	ARY
C...	36	59.06.0683	-068 u	10% 63V / EPTD	ARY
C...	37	59.06.0683	-068 u	10% 63V / EPTD	ARY

S T U D E R 000 90/03/20 RU TC BACKBAG PL 1.862.685.21 PAGE 1

IND.	POS.NO.	PART NO.	VALUE	SPECIFICATIONS / EQUIVALENT	MANUF.
C...	38	59.06.0683	-068 u	10% 63V / EPTD	ARY
C...	39	59.06.0683	-068 u	10% 63V / EPTD	ARY
C...	40	59.06.0683	-068 u	10% 63V / EPTD	ARY
C...	41	59.06.0683	-068 u	10% 63V / EPTD	ARY
C...	42	59.06.0683	-068 u	10% 63V / EPTD	ARY
C...	43	59.06.0683	-068 u	10% 63V / EPTD	ARY
C...	44	59.06.0683	-068 u	10% 63V / EPTD	ARY
C...	45	59.06.0683	-068 u	10% 63V / EPTD	ARY
C...	46	59.06.0683	-068 u	10% 63V / EPTD	ARY
C...	47	59.06.0683	-068 u	10% 63V / EPTD	ARY
C...	48	59.06.0683	-068 u	10% 63V / EPTD	ARY
C...	49	59.06.0683	-068 u	10% 63V / EPTD	ARY
C...	50	59.06.0683	-068 u	10% 63V / EPTD	ARY
C...	51	59.06.0683	-068 u	10% 63V / EPTD	ARY
DL...	01	50.04.2121		TLUR 2401 RT DIFF	ARY
DL...	02	50.04.2132		TLUS 2401 GR DIFF	ARY
DL...	03	50.04.2132		TLUS 2401 GR DIFF	ARY
DL...	04	50.04.2132		TLUS 2401 GR DIFF	ARY
DL...	05	50.04.2132		TLUS 2401 GR DIFF	ARY
IC...	01	50.18.0100		16 V 8 - 25 LP	SN 1.862.976.20 ARY
IC...	02	50.18.0100		16 V 8 - 25 LP	SN 1.862.975.20 ARY
IC...	03	50.18.0100		16 V 8 - 25 LP	SN 1.862.976.20 ARY
IC...	04	50.06.0166		SN 74 LS 166 N	ARY
IC...	05	50.17.7374		74 ACT 374	ARY
IC...	06	50.18.0100		16 V 8 - 25 LP	SN 1.862.976.20 ARY
IC...	07	50.18.0100		16 V 8 - 25 LP	SN 1.862.976.20 ARY
IC...	08	50.18.0100		16 V 8 - 25 LP	SN 1.862.976.20 ARY
IC...	09	50.17.7374		74 F 138	ARY
IC...	10	50.21.0138		74 F 138	ARY
IC...	11	50.16.1002		TMS 320C10	ARY
IC...	12	50.14.0138		HM 6264LP-15	ARY
IC...	13	50.06.0166		SN 74 LS 166 N	ARY
IC...	14	50.06.0166		SN 74 LS 166 N	ARY
IC...	15	50.18.0100		16 V 8 - 25 LP	SN 1.862.971.20 ARY
IC...	16	50.18.0100		16 V 8 - 25 LP	SN 1.862.972.20 ARY
IC...	17	50.17.7074		74 ACT 74	ARY

S T U D E R 000 90/03/20 RU TC BACKBAG PL 1.862.685.21 PAGE 2

IND.	POS.NO.	PART NO.	VALUE	SPECIFICATIONS / EQUIVALENT	MANUF.
IC...	18	50.17.7374		74 ACT 374	ARY
IC...	19	50.18.0100		16 V 8 - 25 LP	SN 1.862.976.20 ARY
IC...	20	50.18.0100		16 V 8 - 25 LP	SN 1.862.976.20 ARY
IC...	21	50.17.7374		74 ACT 374	ARY
IC...	22	50.06.0166		SN 74 LS 166 N	ARY
IC...	23	50.06.0166		SN 74 LS 166 N	ARY
IC...	24	50.14.0138		HM 6264LP-15	ARY
IC...	25	50.06.0669		SN 74 LS 166 N	ARY
IC...	26	50.17.7374		74 ACT 374	ARY
IC...	27	50.14.1001		137F2402 L100	ARY
IC...	28	50.18.0100		16 V 8 - 25 LP	SN 1.862.970.20 ARY
IC...	29	50.18.0100		16 V 8 - 25 LP	SN 1.862.970.20 ARY
IC...	30	50.17.7374		74 ACT 374	ARY
IC...	31	50.14.2003		CY 7 C 263	SN 1.862.980.20 ARY
IC...	32	50.14.2003		CY 7 C 263	SN 1.862.981.20 ARY
IC...	33	50.18.0100		16 V 8 - 25 LP	SN 1.862.977.20 ARY
IC...	34	50.18.0100		16 V 8 - 25 LP	SN 1.862.978.20 ARY
IC...	35	50.06.0008		16 V 8 - 25 LP	SN 1.862.977.20 ARY
IC...	36	50.17.7374		SN 74 LS 04 N	TTL ARY
IC...	37	50.17.7374		74 ACT 374	ARY
IC...	38	50.17.7374		74 ACT 374	ARY
IC...	39	50.18.0100		16 V 8 - 25 LP	SN 1.862.973.20 ARY
IC...	40	50.17.7374		74 ACT 244	ARY
IC...	41	50.17.7374		74 ACT 374	ARY
IC...	42	50.17.7374		74 ACT 374	ARY
IC...	43	50.17.7374		74 ACT 244	ARY
IC...	44	50.21.0138		74 F 138	ARY
IC...	45	50.17.7374		74 ACT 374	ARY
IC...	46	50.17.7374		74 ACT 374	ARY
IC...	47	50.21.0169		74 F 169	ARY
IC...	48	50.21.0169		74 F 169	ARY
IC...	49	50.21.0169		74 F 169	ARY
IC...	50	50.06.0000		74 LS 00	ARY
MP...	01	1.077.100.20		GUNNKRAPPE	ARY

S T U D E R 000 90/03/20 RU TC BACKBAG PL 1.862.685.21 PAGE 3

TIME CODE BACKBAG 1.862.685.21

IND.	POS.NO.	PART NO.	VALUE	SPECIFICATIONS / EQUIVALENT	MANUF.
	MP..02	1.077.100.20		GUMMIKAPPE	ANY
	MP..03	1.077.100.20		GUMMIKAPPE	ANY
	MP..04	1.077.100.20		GUMMIKAPPE	ANY
	MP..05	1.010.041.27		MUTTERBOLZEN M 3 * 28	ST
	MP..06	1.010.041.27		MUTTERBOLZEN M 3 * 28	ST
	MP..07	1.010.041.27		MUTTERBOLZEN M 3 * 28	ST
	MP..08	1.010.041.27		MUTTERBOLZEN M 3 * 28	ST
(00)	MP..09	1.010.217.27		MUTTERBOLZEN, S 5.5, M 3 * 28,5	ST
(02)	MP..09	1.010.026.27		MUTTERBOLZEN, S 5.5, M 3 * 30	ST
(00)	MP..10	1.010.217.27		MUTTERBOLZEN, S 5.5, M 3 * 28,5	ST
(02)	MP..10	1.010.026.27		MUTTERBOLZEN, S 5.5, M 3 * 30	ST
	MP..11	21.51.8355		LIN-SCHR. IS, NI, M 3 * 8	ANY
	MP..12	21.51.8355		LIN-SCHR. IS, NI, M 3 * 8	ANY
	MP..13	21.51.8355		LIN-SCHR. IS, NI, M 3 * 8	ANY
	MP..14	21.51.8355		LIN-SCHR. IS, NI, M 3 * 8	ANY
	MP..15	21.51.8355		LIN-SCHR. IS, NI, M 3 * 8	ANY
	MP..16	21.51.8355		LIN-SCHR. IS, NI, M 3 * 8	ANY
	MP..17	24.16.1030		RIPPENSCHLEIBE A D 3.2	ANY
	MP..18	24.16.1030		RIPPENSCHLEIBE A D 3.2	ANY
	MP..19	24.16.1030		RIPPENSCHLEIBE A D 3.2	ANY
	MP..20	24.16.1030		RIPPENSCHLEIBE A D 3.2	ANY
	MP..21	24.16.1030		RIPPENSCHLEIBE A D 3.2	ANY
	MP..22	24.16.1030		RIPPENSCHLEIBE A D 3.2	ANY
	MP..23	23.01.1032		U-SCHLEIBE D 3.2/ 6 40.5	ANY
	MP..24	23.01.1032		U-SCHLEIBE D 3.2/ 6 40.5	ANY
	MP..25	23.01.1032		U-SCHLEIBE D 3.2/ 6 40.5	ANY
	MP..26	23.01.1032		U-SCHLEIBE D 3.2/ 6 40.5	ANY
	MP..27	23.01.1032		U-SCHLEIBE D 3.2/ 6 40.5	ANY
	MP..28	23.01.1032		U-SCHLEIBE D 3.2/ 6 40.5	ANY
	MP..29	1.862.685.01		ETIKETTE	ST
	MP..30	1.862.685.11		PCB	ST
	MP..31	43.01.0108		ESK-WARNSCHILD	ANY
	MP..32	1.101.001.20		ETIKETTE HARDWARE -20	ST
	R...01	57.11.3101	100	1X, 0207, MF	ANY
	R...02	57.11.3101	100	1X, 0207, MF	ANY
	R...03	57.11.3101	100	1X, 0207, MF	ANY

S T U D E R (00) 90/03/20 RU TC BACKBAG PL 1.862.685.21 PAGE 4

IND.	POS.NO.	PART NO.	VALUE	SPECIFICATIONS / EQUIVALENT	MANUF.
	RZ...01	57.88.4332		8 * 3.3 k, 2%, SIP 9	ANY
	RZ...02	57.88.4332		8 * 3.3 k, 2%, SIP 9	ANY
	RZ...03	57.88.4332		8 * 3.3 k, 2%, SIP 9	ANY
	RZ...04	57.88.4332		8 * 3.3 k, 2%, SIP 9	ANY
	TP...1	54.02.0320		SOLDERING PIN	ANY
	TP...2	54.02.0320		SOLDERING PIN	ANY
	TP...3	54.02.0320		SOLDERING PIN	ANY
	TP...4	54.02.0320		SOLDERING PIN	ANY
	W...01	1.023.112.04		FLACHABEL 20 POL. 0,1 M	ST
	W...02	1.023.112.04		FLACHABEL 20 POL. 0,1 M	ST
	XIC..01	53.03.0165		DIL 20-POL, LOET	ANY
	XIC..02	53.03.0165		DIL 20-POL, LOET	ANY
	XIC..03	53.03.0165		DIL 20-POL, LOET	ANY
(00)	XIC..06	53.03.0165		DIL 20-POL, LOET	ANY
(01)	XIC..06			not used	
	XIC..07	53.03.0165		DIL 20-POL, LOET	ANY
	XIC..08	53.03.0165		DIL 20-POL, LOET	ANY
	XIC..11	53.03.0172		DIL 40-POL, LOET	ANY
	XIC..12	53.03.0173		DIL 28-POL, LOET	ANY
	XIC..15	53.03.0165		DIL 20-POL, LOET	ANY
	XIC..16	53.03.0165		DIL 20-POL, LOET	ANY
	XIC..19	53.03.0165		DIL 20-POL, LOET	ANY
	XIC..20	53.03.0165		DIL 20-POL, LOET	ANY
	XIC..24	53.03.0173		DIL 28-POL, LOET	ANY
	XIC..28	53.03.0165		DIL 20-POL, LOET	ANY
	XIC..29	53.03.0165		DIL 20-POL, LOET	ANY
	XIC..31	53.03.0182		DIL 24-POL, LOET	ANY
	XIC..32	53.03.0182		DIL 24-POL, LOET	ANY
	XIC..33	53.03.0165		DIL 20-POL, LOET	ANY
	XIC..34	53.03.0165		DIL 20-POL, LOET	ANY
	XIC..39	53.03.0165		DIL 20-POL, LOET	ANY
	Y...01	89.01.1007		20.000 MHZ, HC 49/U	ANY

S T U D E R (00) 90/03/20 RU TC BACKBAG PL 1.862.685.21 PAGE 5

IND.	POS.NO.	PART NO.	VALUE	SPECIFICATIONS / EQUIVALENT	MANUF.
------	---------	----------	-------	-----------------------------	--------

REMARKS:
1. FREIGABE: 09.08.89 HUB

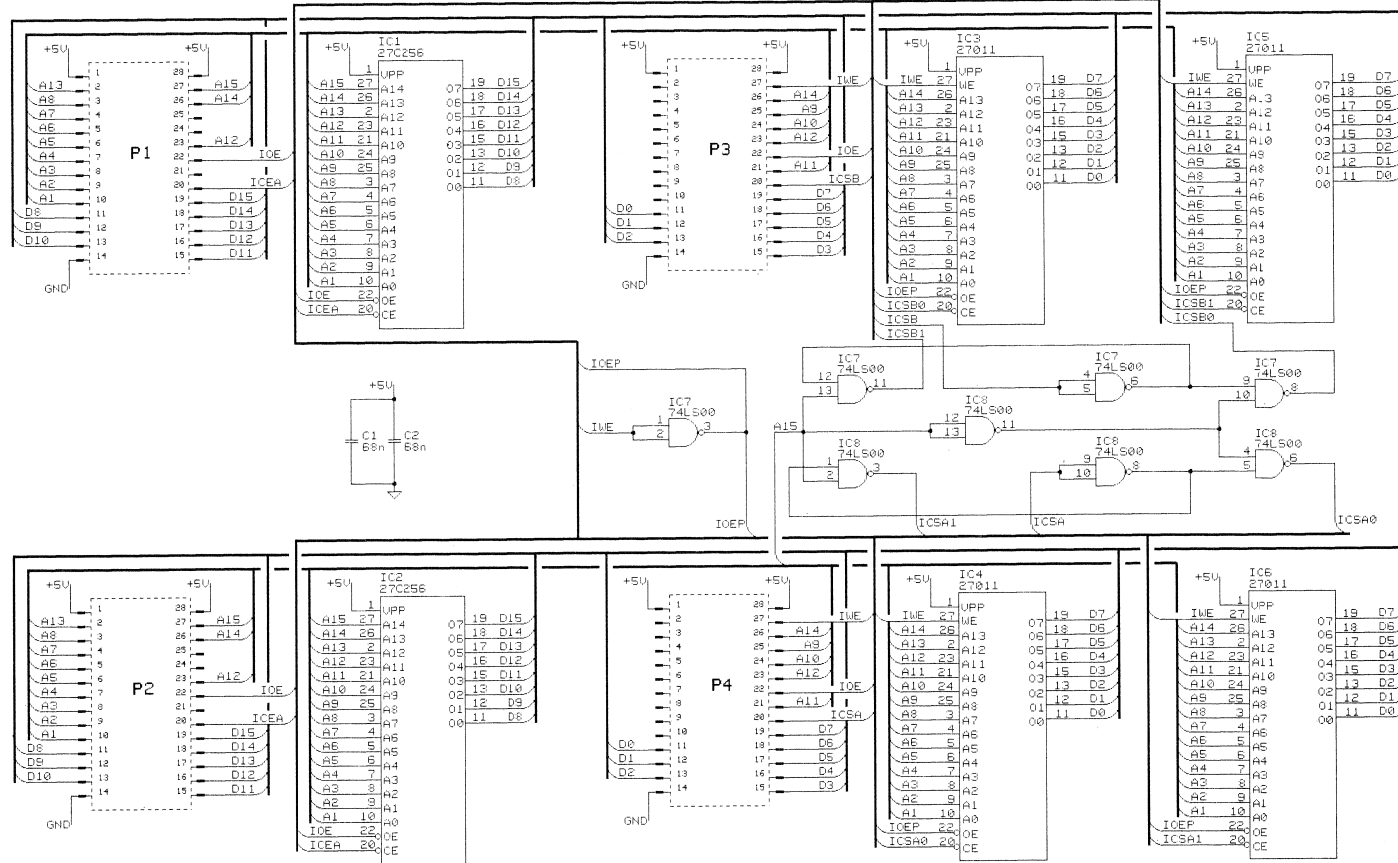
MANUFACTURERS:
St = STUDER, Ph = PHILIPS, BB = BURR BROWN, Ha = HARRIS

ABBREVIATIONS:
CER = CERAMIC / FILM = FILM TYPE / XF = CLAMP FOR FUSES /
XIC = IC SOCKET

ORIG 90/03/20
S T U D E R (00) 90/03/20 RU TC BACKBAG PL 1.862.685.21 PAGE 6

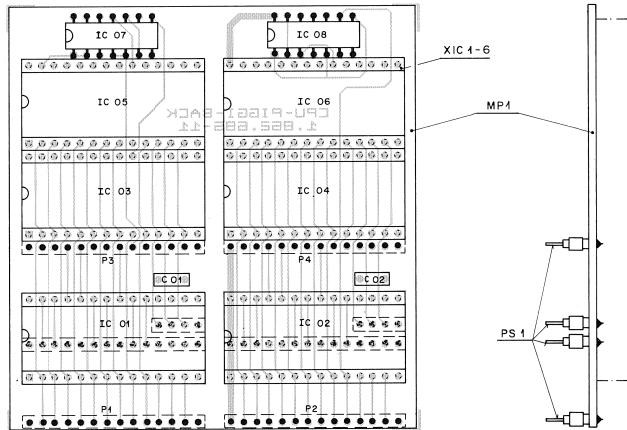
STUDER D820 MCH

CPU PIGGY BAG 1.862.686.20



© 10.09.89 BMD				
	D820 MCH			PAGE 1 OF 1
STUDER	CPU-PIGGI-BACK	SC	1.862.686.20	

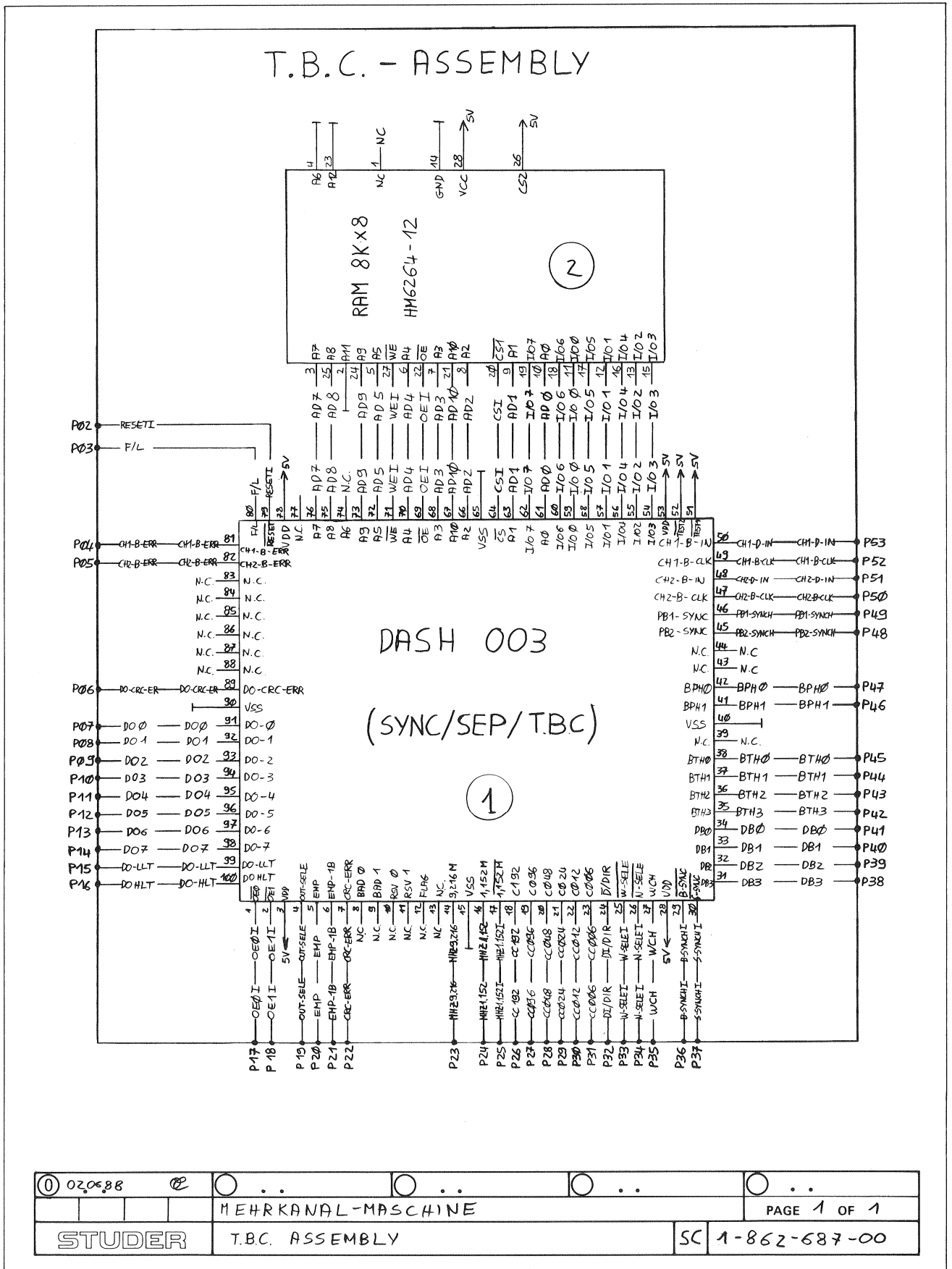
CPU PIGGY BAG 1.862.686.20



IND.	POS.NO.	PART NO.	VALUE	SPECIFICATIONS / EQUIVALENT	MANUF.	IND.	POS.NO.	PART NO.	VALUE	SPECIFICATIONS / EQUIVALENT	MANUF.
C...	1	59.06.0683	68 HF	10K 63V PETP	ANY	REMARKS:	SEHIVERSEIDM FREIGABE: 15.04.89 (KORR.26.4. 89)				
C...	2	59.06.0683	68 HF	10K 63V PETP	ANY		*****				
IC...	1	50.14.2004		HN 27 C256 G - 25 (SN 1.862.924.20)	ANY	MANUFACTURERS:					
IC...	2	50.14.2004		HN 27 C256 G - 25 (SN 1.862.925.20)	ANY	SE = STUDER; P4 = PHILIPS; ED = BURR BROWN; H4 = HARRIS					
IC...	3	50.14.2006		27011 DIL 28 (SN 1.862.926.20)	ANY	ABBREVIATIONS:					
IC...	4	50.14.2006		27011 DIL 28 (SN 1.862.926.20)	ANY	CS = CERAMIC / FILM = FILM TYPE / XF = CLAMP FOR FUSES /					
IC...	5	50.14.2006		27011 DIL 28 (SN 1.862.926.20)	ANY	XIC = IC SOCKET					
IC...	6	50.14.2006		27011 DIL 28 (SN 1.862.926.20)	ANY						
IC...	7	50.06.0000		SN 74 LS 00 N	ANY						
IC...	8	50.06.0000		SN 74 LS 00 N	ANY						
MP...	1	1.862.686.11		CPU-PIGGY-BACK PCB	St						
MP...	2	1.862.686.01		86-STRIKETE 5 = 20	St						
MP...	3	43.01.0109		ESZ-WAHRSCHEILD	ANY						
MP...	4	1.101.001.20		STRIKETE 5 = 20 HARDWARE	St						
PS...	1	53.03.0252		STIFTLASTE **** QTY 92 *****	ANY						
XIC...	1	53.03.0173		DIL 28-DIL	ANY						
XIC...	2	53.03.0173		DIL 28-DIL	ANY						
XIC...	3	53.03.0173		DIL 28-DIL	ANY						
XIC...	4	53.03.0173		DIL 28-DIL	ANY						
XIC...	5	53.03.0173		DIL 28-DIL	ANY						
XIC...	6	53.03.0173		DIL 28-DIL	ANY						

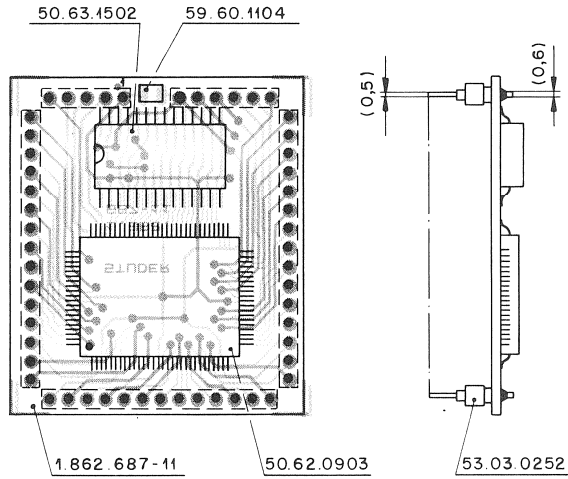
CRIG 09/03/21

TBC ASSEMBLY 1.862.687.00



① 020688	MEHRKANAL-MASCHINE	PAGE 1 OF 1	
STUDER	T.B.C. ASSEMBLY	SC	1-862-687-00

TBC ASSEMBLY 1.862.687.00



Schilder 43 01.0108 / 1.862.687-01
aufgeklebt nach Fabrikationsmuster.

IND.	POS.NO.	PART NO.	VALUE	SPECIFICATIONS / EQUIVALENT	MANUF.
C....1		59.60.1104	100 n	20%, GENERAL PURPOSE	ANY
IC....1		50.62.0903		DASH 003 AQ	So
IC....2		50.63.1502		HM 6264 LFP-12	ANY
MP....1		1.862.687.01		ETIKETTE	ANY
MP....2		1.862.687.11		TBC-PCB	Stu
MP....3		43.01.0108		ESD-WARNSCHILD	ANY
PS....1		53.03.0252		P STIFTLASTE **QTY54**	ANY

REMARKS: SERIEVERSION FREIGABE:12.04.89

MANUFACTURERS:
St = STUDER Ph = PHILIPS So = SONY

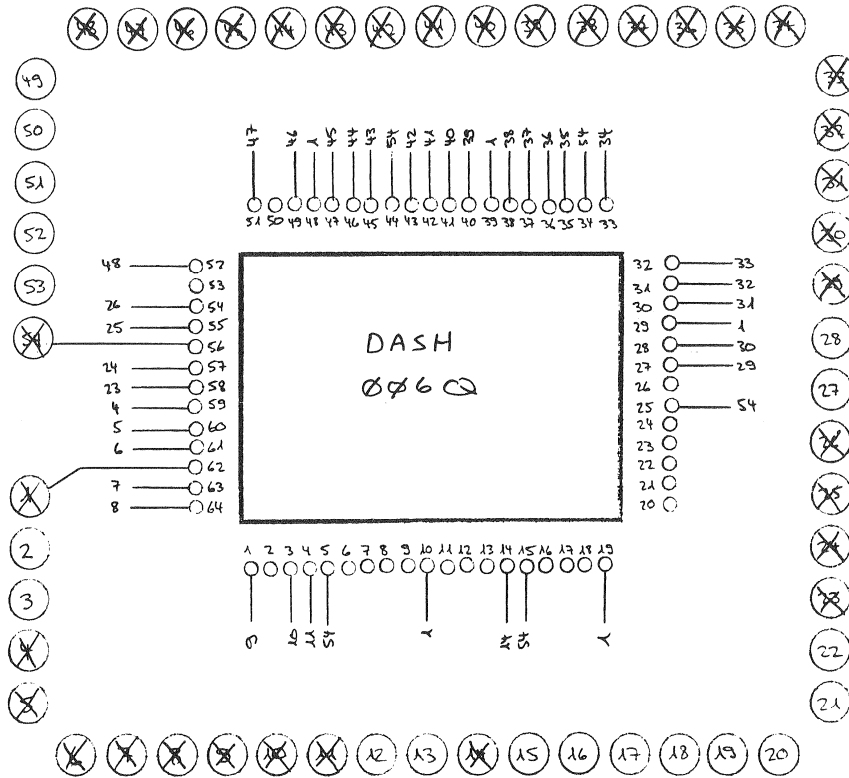
ABBREVIATIONS:
CER = CERAMIC / FILM = FILM TYPE / XF = CLAMP FOR FUSES /
XIC = IC SOCKET

ORIG 89/03/30

S T U D E R (00) 89/03/30 ZT TBC ASSEMBLY

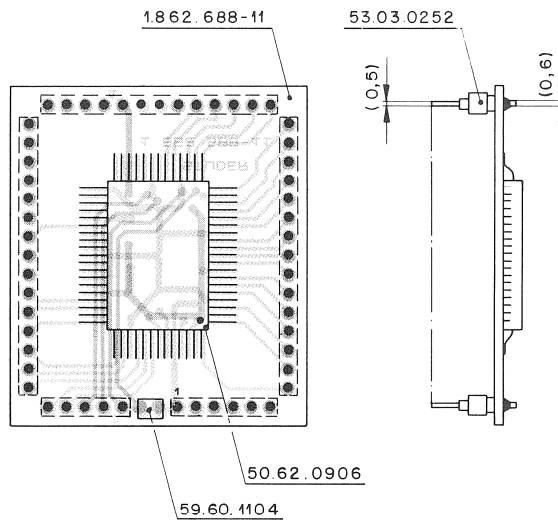
PL 1.862.687.00 PAGE 1

MASTER I/O INPUT BACKBAG 1.862.688.00



0 08.06.88 DH	○ ..	○ ..	○ ..	○ ..
	D820 MCH			PAGE 1 OF 1
STUDER	MIO Input Backbag	MIB6	SC	1.862.688-00

MASTER I/O INPUT BACKBAG 1.862.688.00



Schilder 43.01.0108 / 1.862.688-11
aufgeklebt nach Fabrikationsmuster.

IND.	POS.NO.	PART NO.	VALUE	SPECIFICATIONS / EQUIVALENT	MANUF.
C....1		59.60.1104		100 n. 10%	ANY
IC....1		50.62.0906		DASH 006Q	So
MP....1		1.862.688.11		MIBG PCB	St
MP....2		43.01.0108		ESE-WARNSCHILD	ANY
MP....3		1.862.688.01		NR.-ETIKETTE 5 * 20	ANY
PS....1		53.03.0252		STIFBLEISTE** QTY 5. *****	ANY

REMARKS: SERIEVERSION FREIGABE 13.04.89

MANUFACTURERS:
St = STUDER / Ph = PHILIPS / So = SONY

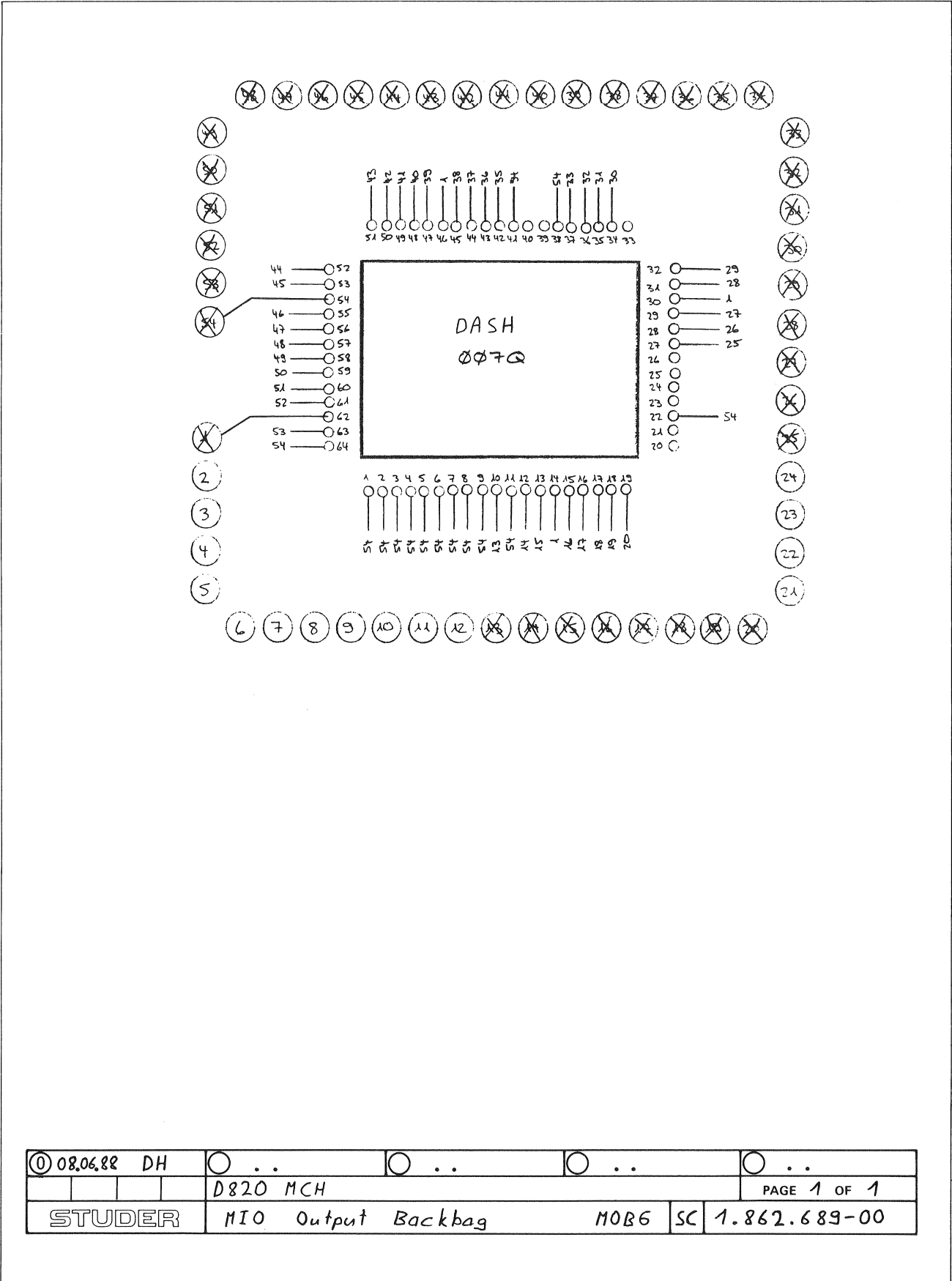
ABBREVIATIONS:
CER = CERAMIC / FILM = FILM TYPE / XF = CLAMP FOR FUSES /
XIC = IC SOCKET

ORIG 89/02/23

S T U D E R (00) 89/02/23 ZT MIO INPUT BACKBAG

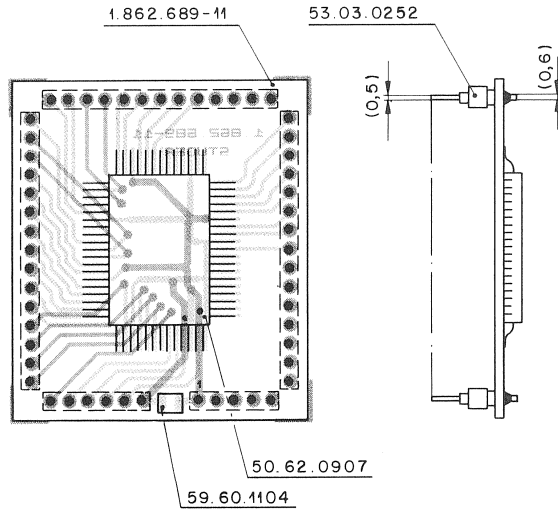
PL 1.862.688.00 PAGE 1

MASTER I/O OUTPUT BACKBAG 1.862.689.00



① 08.06.88 DH	○ ..	○ ..	○ ..	○ ..
	D820 MCH			PAGE 1 OF 1
STUDER	MIO Output Backbag	MOB6	SC	1.862.689-00

MASTER I/O OUTPUT BACKBAG 1.862.689.00



Schilder 43.01.0108 / 1.862.689-01
aufgeklebt nach Fabrikationsmuster.

IND.	POS.NO.	PART NO.	VALUE	SPECIFICATIONS / EQUIVALENT	MANUF.
C....1		59.60.1104	100 n	102	ANY
IC....1		50.62.0907		DASH 007Q	So
MP....1		1.862.689.11		MOBG PCB	St
MP....2		43.01.0108		ESE-WARNSCHILD	ANY
MP....3		1.862.689.01		HR.-ETIKETTE 5 * 20	ANY
PS....1		53.03.0252		F STIFFLEISTE** QTY 54 *****	ANY

REMARKS: SERIEVERSION FREIGABE: 13.04.89

MANUFACTURERS:
St = STUDER / Ph = PHILIPS / So = SONY

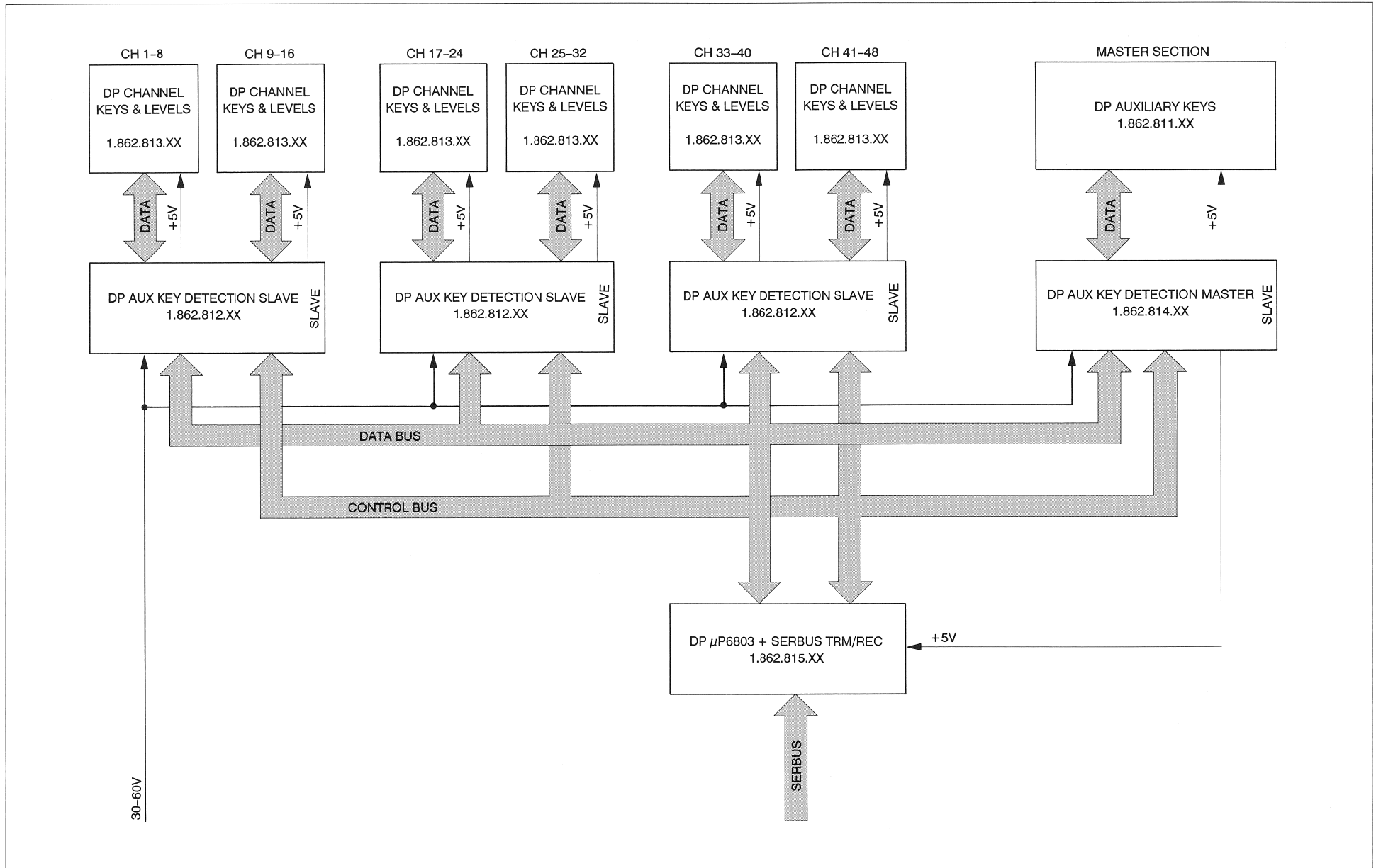
ABBREVIATIONS:
CER = CERAMIC / FILM = FILM TYPE / XF = CLAMP FOR FUSES /
XIC = IC SOCKET

ORIG 89/02/23

S T U D E R (00) 89/02/23 ZT MID OUTPUT BACKBAG

PL 1.862.689.00 PAGE 1

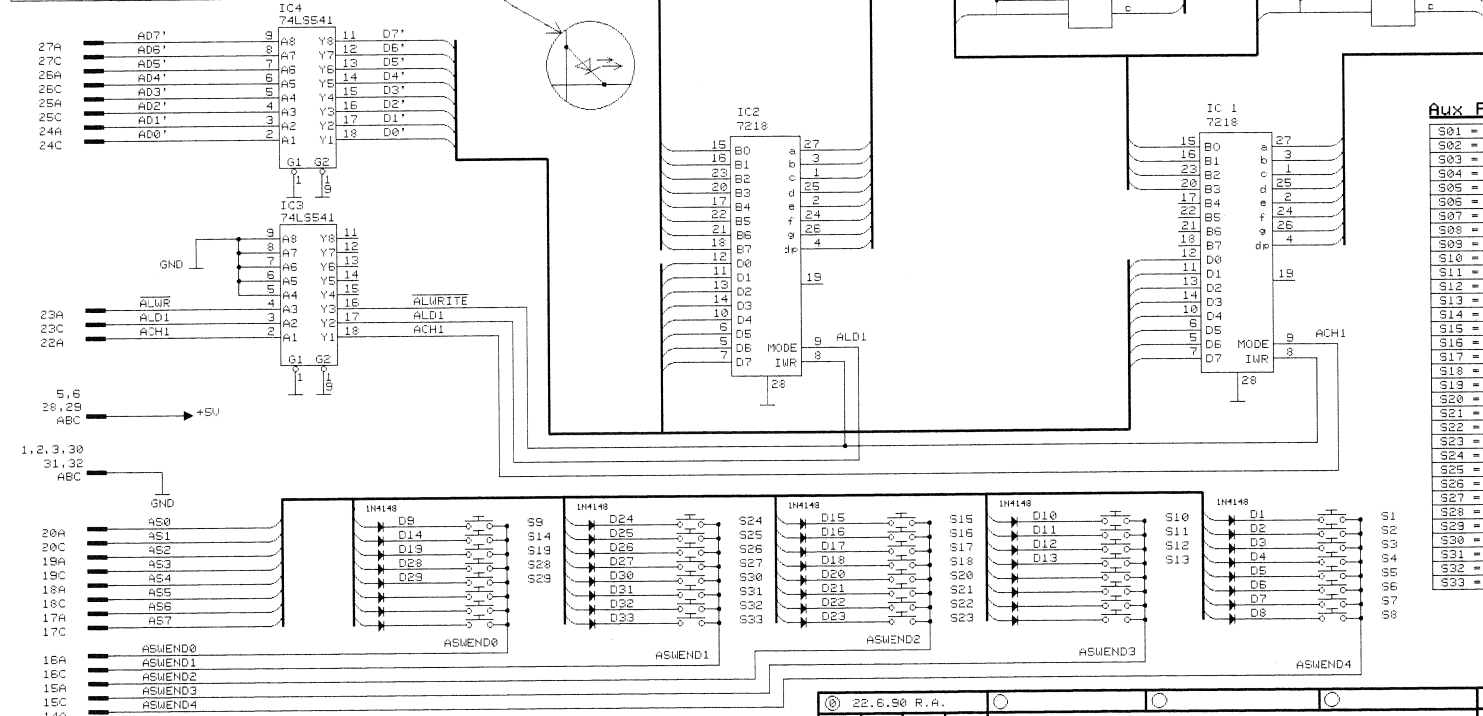
BLOCKDIAGRAM DP AUX KEYS



DP AUX KEYS 1.862.811.00

Aux Panel Led's :

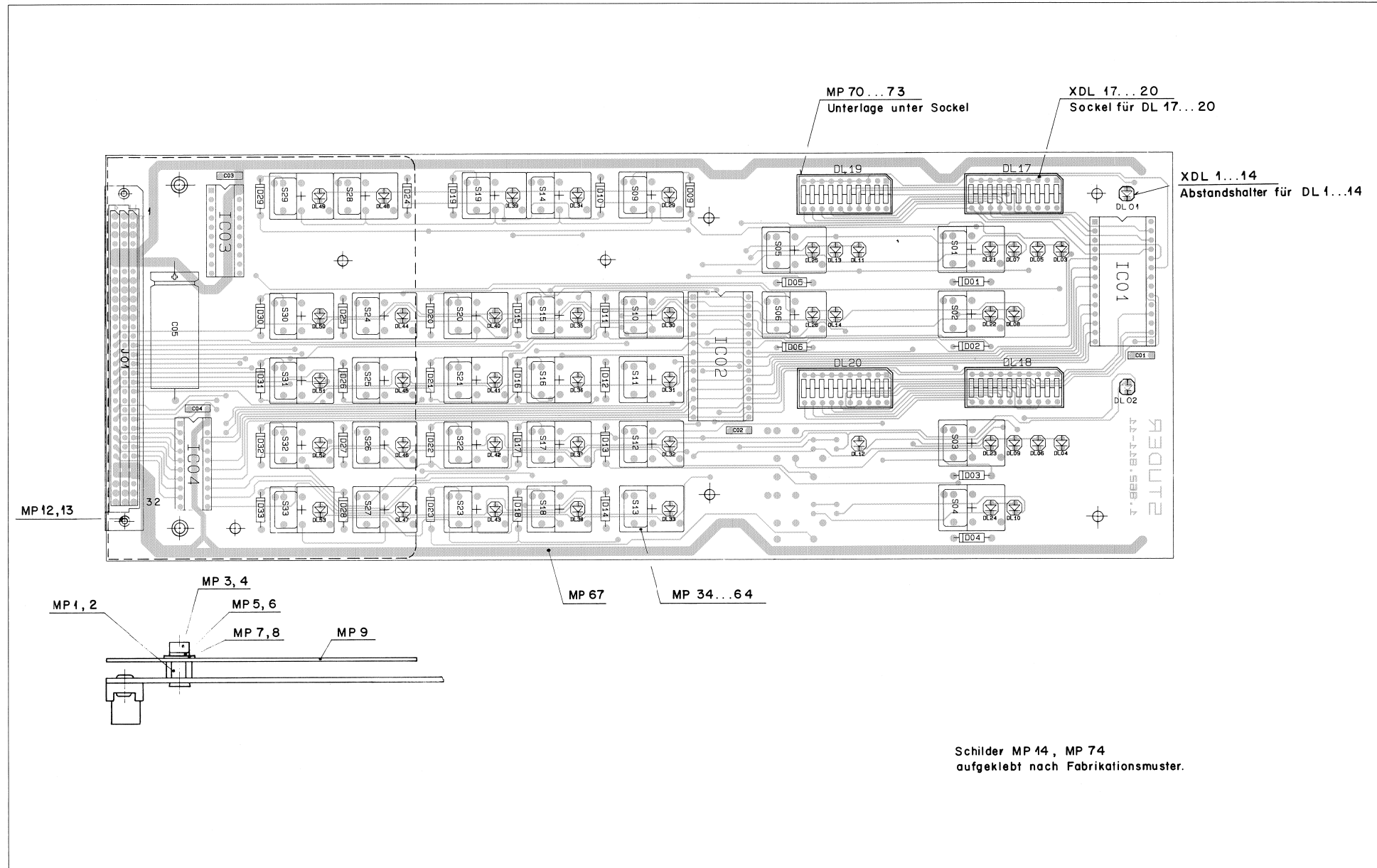
DL 01 = Format Mismatch	DL 28 = Reserve
DL 02 = System Error	DL 29 = Reserve
DL 03 = Cue1 Record	DL 30 = User 1
DL 04 = Cue2 Record	DL 31 = User 2
DL 05 = Cue1 Arecord	DL 32 = User 3
DL 06 = Cue2 Arecord	DL 33 = User 4
DL 07 = Cue1 Ready	DL 34 = All Ready
DL 08 = Cue1 Input	DL 35 = New Record
DL 09 = Cue2 Ready	DL 36 = Assembly Record
DL 10 = Cue2 Input	DL 37 = Insert Record
DL 11 = TC Record	DL 38 = Mute Record
DL 12 = RT Record	DL 39 = All Safe
DL 13 = TC Ready	DL 40 = Ping Pong
DL 14 = TC Input	DL 41 = Master Safe
DL 15 = Reserve	DL 42 = Rehearse
DL 16 = Reserve	DL 43 = Reserve
DL 17 = Cue1 Level	DL 44 = Channel on
DL 18 = Cue2 Level	DL 45 = Channel off
DL 19 = TC Level	DL 46 = Emphasis on
DL 20 = RT Level	DL 47 = Emphasis off
DL 21 = Cue1 Safe	DL 48 = All Input
DL 22 = Cue1 Reppo	DL 49 = All Reppo
DL 23 = Cue2 Safe	DL 50 = Peak Hold
DL 24 = Cue2 Reppo	DL 51 = Reserve
DL 25 = TC Safe	DL 52 = Auto Input
DL 26 = TC Reppo	DL 53 = Auto Mute
DL 27 = Reserve	



Aux Panel Keys

S01 = Cue1 Safe/Ready
S02 = Cue1 Input/Reppo
S03 = Cue2 Safe/Ready
S04 = Cue2 Input/Reppo
S05 = TC Safe/Ready
S05 = TC Input/Reppo
S07 = Reserve
S08 = Reserve
S09 = All Enable
S10 = User 1
S11 = User 2
S12 = User 3
S13 = User 4
S14 = All Ready
S15 = New Record
S16 = Assembly Record
S17 = Insert Record
S18 = Mute Record
S19 = All Safe
S20 = Ping Pong
S21 = Master Safe
S22 = Rehearse
S23 = Set Enable
S24 = Channel On
S25 = Channel Off
S26 = Emphasis On
S27 = Emphasis Off
S28 = All Input
S29 = All Reppo
S30 = Peak Hold
S31 = Peak Reset
S32 = Auto Input
S33 = Auto Mute

© 22.6.90 R.A.	D820 MCH DISPLAY PANEL	PAGE 1 OF 1
STUDER DP AUXILIARY KEYS		SC 1.862.811.00



DP AUX KEYS 1.862.811.00

IND.	POS.NO.	PART NO.	VALUE	SPECIFICATIONS / EQUIVALENT	MANUF.	IND.	POS.NO.	PART NO.	VALUE	SPECIFICATIONS / EQUIVALENT	MANUF.
C....1		59.06.0683	68nF	10%, 63V	ANY	(00)	MP...37	55.15.0510		BUTTON SW	ANY
C....2		59.06.0683	68nF	10%, 63V	ANY	(02)	MP...37	55.15.0510		BUTTON WS	ANY
C....3		59.06.0683	68nF	10%, 63V	ANY		MP...38	55.15.0510		BUTTON SW	ANY
C....4		59.06.0683	68nF	10%, 63V	ANY	(00)	MP...39	55.15.0510		BUTTON SW	ANY
C....5		59.06.0683	68nF	10%, 63V	ANY	(02)	MP...39	55.15.0510		BUTTON SW	ANY
D....1		50.04.0125		LN 4448	ANY	(00)	MP...40	55.15.0510		BUTTON SW	ANY
D....2		50.04.0125		LN 4448	ANY	(02)	MP...40	55.15.0510		BUTTON SW	ANY
D....3		50.04.0125		LN 4448	ANY	(00)	MP...41	55.15.0518		BUTTON GR	ANY
D....4		50.04.0125		LN 4448	ANY	(02)	MP...41	55.15.0518		BUTTON GR	ANY
D....5		50.04.0125		LN 4448	ANY	(00)	MP...42	55.15.0518		BUTTON GR	ANY
D....6		50.04.0125		LN 4448	ANY	(02)	MP...42	55.15.0518		BUTTON GR	ANY
D....7		50.04.0125		LN 4448	ANY	(00)	MP...43	55.15.0518		BUTTON SW	ANY
D....8		50.04.0125		LN 4448	ANY	(02)	MP...43	55.15.0518		BUTTON SW	ANY
D....9		50.04.0125		LN 4448	ANY	(00)	MP...44	55.15.0518		BUTTON SW	ANY
D....10		50.04.0125		LN 4448	ANY	(02)	MP...44	55.15.0518		BUTTON SW	ANY
D....11		50.04.0125		LN 4448	ANY	(00)	MP...45	55.15.0515		BUTTON SW	ANY
D....12		50.04.0125		LN 4448	ANY	(02)	MP...45	55.15.0515		BUTTON SW	ANY
D....13		50.04.0125		LN 4448	ANY		MP...46	55.15.0510		BUTTON SW	ANY
D....14		50.04.0125		LN 4448	ANY		MP...47	55.15.0510		BUTTON SW	ANY
D....15		50.04.0125		LN 4448	ANY		MP...48	55.15.0510		BUTTON SW	ANY
D....16		50.04.0125		LN 4448	ANY		MP...49	55.15.0510		BUTTON SW	ANY
D....17		50.04.0125		LN 4448	ANY		MP...50	55.15.0510		BUTTON SW	ANY
D....18		50.04.0125		LN 4448	ANY		MP...51	55.15.0510		BUTTON SW	ANY
D....19		50.04.0125		LN 4448	ANY		MP...52	55.15.0510		BUTTON SW	ANY
D....20		50.04.0125		LN 4448	ANY	(00)	MP...53	55.15.0510		BUTTON SW	ANY
D....21		50.04.0125		LN 4448	ANY	(02)	MP...53	55.15.0510		BUTTON SW	ANY
D....22		50.04.0125		LN 4448	ANY	(00)	MP...54	55.15.0512		BUTTON SW	ANY
D....23		50.04.0125		LN 4448	ANY	(02)	MP...54	55.15.0512		BUTTON SW	ANY
D....24		50.04.0125		LN 4448	ANY		MP...55	55.15.0510		BUTTON SW	ANY
D....25		50.04.0125		LN 4448	ANY		MP...56	55.15.0510		BUTTON SW	ANY
D....26		50.04.0125		LN 4448	ANY		MP...57	55.15.0510		BUTTON SW	ANY
D....27		50.04.0125		LN 4448 (GREEN)	ANY		MP...58	55.15.0510		BUTTON SW	ANY
D....28		50.04.0125		LN 4448	ANY	(00)	MP...59	55.15.0510		BUTTON SW	ANY
D....29		50.04.0125		LN 4448	ANY	(02)	MP...59	55.15.0510		BUTTON SW	ANY
D....30		50.04.0125		LN 4448	ANY	(00)	MP...60	55.15.0510		BUTTON SW	ANY
D....31		50.04.0125		LN 4448	ANY	(02)	MP...60	55.15.0510		BUTTON SW	ANY
D....32		50.04.0125		LN 4448	ANY		MP...61	55.15.0510		BUTTON SW	ANY
D....33		50.04.0125		LN 4448	ANY		MP...62	55.15.0510		BUTTON SW	ANY

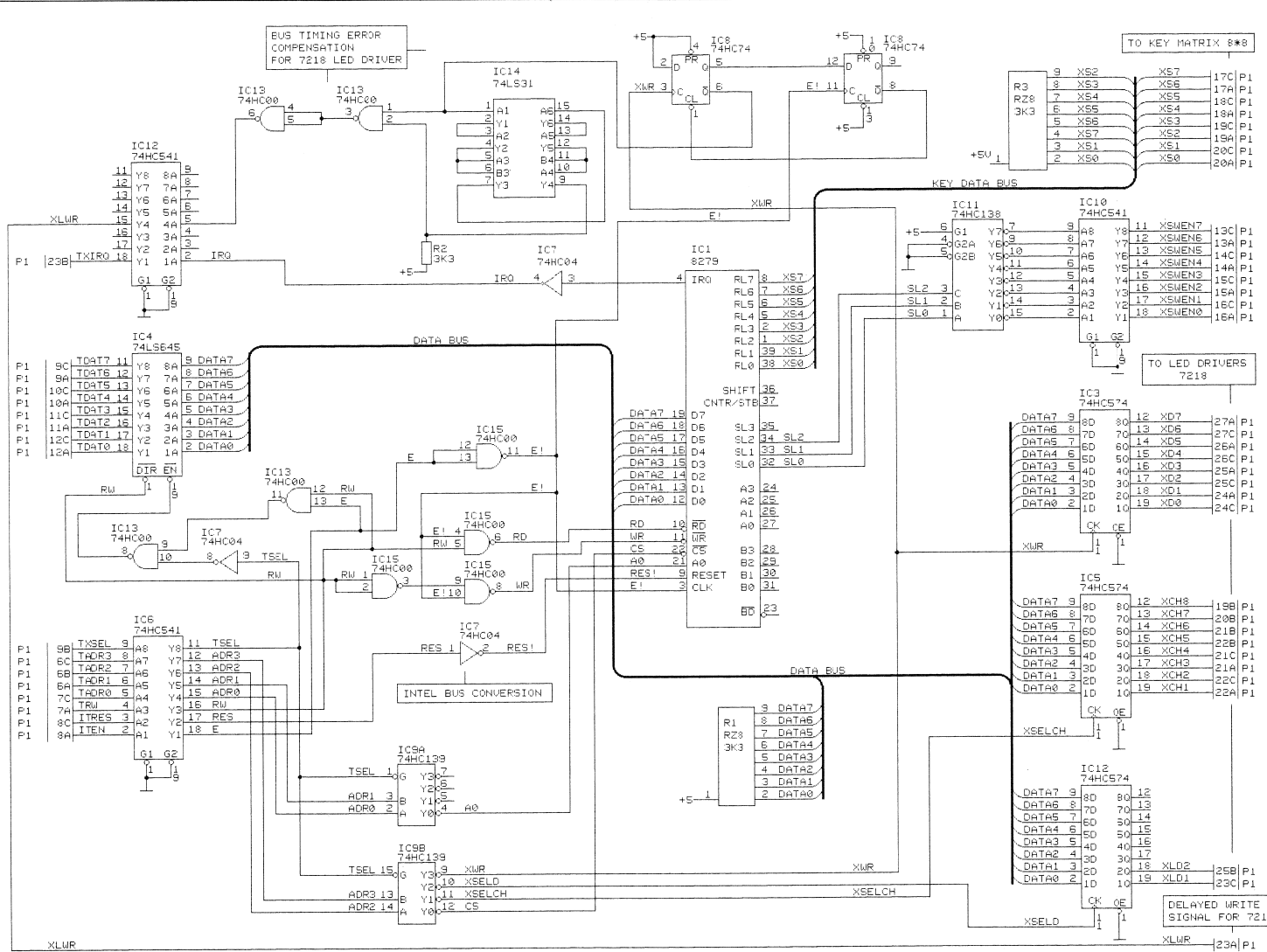
S T U D E R (02) 90/09/06 LAR DP AUXILIARY KEYS PL 1.862.811.00 PAGE 1

IND.	POS.NO.	PART NO.	VALUE	SPECIFICATIONS / EQUIVALENT	MANUF.	IND.	POS.NO.	PART NO.	VALUE	SPECIFICATIONS / EQUIVALENT	MANUF.
(01)	DL...1	50.04.2156		HLMP 3750 (RED)	ANY	MP...63	55.15.0510			BUTTON SW	ANY
(01)	DL...2	50.04.2156		HLMP 3750 (RED)	ANY	MP...64	55.15.0510			BUTTON SW	ANY
	DL...3	50.04.2129		LS 3360 (RED)	ANY	MP...67	1.862.811.11			PCB	ST
	DL...4	50.04.2129		LS 3360 (RED)	ANY	MP...70	1.862.811.02			UNTERLAGE BARGRAPH	ST
	DL...5	50.04.2152		HLMP 1540 (GREEN)	HP	MP...72	1.862.811.02			UNTERLAGE BARGRAPH	ST
	DL...6	50.04.2152		HLMP 1540 (GREEN)	HP	MP...73	1.862.811.02			UNTERLAGE BARGRAPH	ST
	DL...7	50.04.2162		HLMP 1540 (GREEN)	HP	MP...74	43.01.0108			ESE-WARNSCHILD	ANY
	DL...8	50.04.2152		HLMP 1440 (YELLOW)	HP	S....1	55.15.0501			KEY	ANY
	DL...9	50.04.2152		HLMP 1540 (GREEN)	HP	S....2	55.15.0501			KEY	ANY
	DL...10	50.04.2152		HLMP 1440 (YELLOW)	HP	S....3	55.15.0501			KEY	ANY
	DL...11	50.04.2129		LS 3360 (RED)	ANY	S....4	55.15.0501			KEY	ANY
	DL...12	50.04.2129		LS 3360 (RED)	ANY	S....5	55.15.0501			KEY	ANY
	DL...13	50.04.2152		HLMP 1540 (GREEN)	HP	S....6	55.15.0501			KEY	ANY
	DL...14	50.04.2152		HLMP 1440 (YELLOW)	HP	S....9	55.15.0501			KEY	ANY
	DL...17	50.04.2150		BAR GRAPH (RED)	ANY	S....10	55.15.0501			KEY	ANY
	DL...18	50.04.2150		BAR GRAPH (RED)	ANY	S....11	55.15.0501			KEY	ANY
	DL...19	50.04.2150		BAR GRAPH (RED)	ANY	S....12	55.15.0501			KEY	ANY
	DL...20	50.04.2150		BAR GRAPH (RED)	ANY	S....13	55.15.0501			KEY	ANY
	DL...21	50.04.2152		HLMP 1440 (YELLOW)	HP	S....14	55.15.0501			KEY	ANY
	DL...22	50.04.2152		HLMP 1440 (YELLOW)	HP	S....15	55.15.0501			KEY	ANY
	DL...23	50.04.2152		HLMP 1440 (YELLOW)	HP	S....16	55.15.0501			KEY	ANY
	DL...24	50.04.2152		HLMP 1440 (YELLOW)	HP	S....17	55.15.0501			KEY	ANY
	DL...25	50.04.2152		HLMP 1440 (YELLOW)	HP	S....18	55.15.0501			KEY	ANY
	DL...26	50.04.2152		HLMP 1440 (YELLOW)	HP	S....19	55.15.0501			KEY	ANY
	DL...30	50.04.2152		HLMP 1440 (YELLOW)	HP	S....20	55.15.0501			KEY	ANY
	DL...31	50.04.2152		HLMP 1440 (YELLOW)	HP	S....21	55.15.0501			KEY	ANY
	DL...32	50.04.2152		HLMP 1440 (YELLOW)	HP	S....22	55.15.0501			KEY	ANY
	DL...33	50.04.2152		HLMP 1440 (YELLOW)	HP	S....23	55.15.0501			KEY	ANY
	DL...34	50.04.2162		HLMP 1540 (GREEN)	HP	S....24	55.15.0501			KEY	ANY
	DL...35	50.04.2152		HLMP 1440 (YELLOW)	HP	S....25	55.15.0501			KEY	ANY
	DL...36	50.04.2152		HLMP 1440 (YELLOW)	HP	S....26	55.15.0501			KEY	ANY
	DL...37	50.04.2152		HLMP 1440 (YELLOW)	HP	S....27	55.15.0501			KEY	ANY
	DL...38	50.04.2152		HLMP 1440 (YELLOW)	HP	S....28	55.15.0501			KEY	ANY
	DL...39	50.04.2152		HLMP 1440 (YELLOW)	HP	S....29	55.15.0501			KEY	ANY
	DL...40	50.04.2152		HLMP 1440 (YELLOW)	HP	S....30	55.15.0501			KEY	ANY

S T U D E R (02) 90/09/06 LAR DP AUXILIARY KEYS PL 1.862.811.00 PAGE 2

IND.	POS.NO.	PART NO.	VALUE	SPECIFICATIONS / EQUIVALENT	MANUF.	IND.	POS.NO.	PART NO.	VALUE	SPECIFICATIONS / EQUIVALENT	MANUF.
	DL...41	50.04.2152		HLMP 1440 (YELLOW)	HP	S....31	55.15.0501			KEY	ANY
	DL...42	50.04.2152		HLMP 1440 (YELLOW)	HP	S....32	55.15.0501			KEY	ANY
	DL...43	50.04.2152		HLMP 1440 (YELLOW)	HP	S....33	55.15.0501			KEY	ANY
	DL...44	50.04.2152		HLMP 1440 (YELLOW)	HP	XDL...1	1.862.813.03			LED - ABSTANDSHALTER	ANY
	DL...45	50.04.2152		HLMP 1440 (YELLOW)	HP	XDL...2	1.862.813.03			LED - ABSTANDSHALTER	ANY
	DL...46	50.04.2152		HLMP 1440 (YELLOW)	HP	XDL...3	1.862.813.03			LED - ABSTANDSHALTER	ANY
	DL...47	50.04.2152		HLMP 1440 (YELLOW)	HP	XDL...4	1.862.813.03			LED - ABSTANDSHALTER	ANY
	DL...48	50.04.2152		HLMP 1440 (YELLOW)	HP	XDL...5	1.862.813.03			LED - ABSTANDSHALTER	ANY
	DL...49	50.04.2152		HLMP 1440 (YELLOW)	HP	XDL...6	1.862.813.03			LED - ABSTANDSHALTER	ANY
	DL...50	50.04.2152		HLMP 1440 (YELLOW)	HP	XDL...7	1.862.813.03			LED - ABSTANDSHALTER	ANY
	DL...52	50.04.2152		HLMP 1440 (YELLOW)	HP	XDL...8	1.862.813.03			LED - ABSTANDSHALTER	ANY
	DL...53	50.04.2152		HLMP 1440 (YELLOW)	HP	XDL...9	1.862.813.03			LED - ABSTANDSHALTER	ANY
	IC...1	50.07.0035		ICM 7218 A1J1	ANY	XDL...10	1.862.813.03			LED - ABSTANDSHALTER	ANY
	IC...2	50.07.0035		ICM 7218 A1J1	ANY	XDL...11	1.862.813.03			LED - ABSTANDSHALTER	ANY
	IC...3	50.06.0541		SN 74 LS 541 N	ANY	XDL...12	1.862.813.03			LED - ABSTANDSHALTER	ANY
	IC...4	50.06.0541		SN 74 LS 541 N	ANY	XDL...13	1.862.813.03			LED - ABSTANDSHALTER	ANY
	J....1	54.11.2024		CONNECTOR 3 * 32	ANY	XDL...14	1.862.813.03			LED - ABSTANDSHALTER	ANY
	MP...1	1.010.041.22		NIETMUTTER M3	ANY	XDL...17	53.99.0125			DIL 20-POL (SPECIAL)	AMP
	MP...2	1.010.041.22		NIETMUTTER M3	ANY	XDL...19	53.99.0125			DIL 20-POL (SPECIAL)	AMP
	MP...3	21.53.0354		Z-SCHRAUBE M3 * 6	ANY	XDL...20	53.99.0125			DIL 20-POL (SPECIAL)	AMP
	MP...4	21.53.0354		Z-SCHRAUBE M3 * 6	ANY						
	MP...5	24.16.1030		RIPPENSCHLEIBE M3	ANY						
	MP...6	24.16.1030		RIPPENSCHLEIBE M3	ANY						
	MP...7	23.01.3032		U-SCHLEIBE D3.2 / 5.5	ANY						
	MP...8	23.01.3032		U-SCHLEIBE D3.2 / 5.5	ANY						
	MP...9	1.862.800.12		HALTE - FOLIE	ST						
(00)	MP...12	28.99.0119		RIVETING NUT	ANY						
(00)	MP...12	28.21.1370		RIVETING NUT	ANY						
(00)	MP...13	28.99.0119		RIVETING NUT	ANY						
(01)	MP...13	28.21.1370		RIVETING NUT	ANY						
	MP...14	1.862.811.01		ETIK. PRINT.NR	ANY						

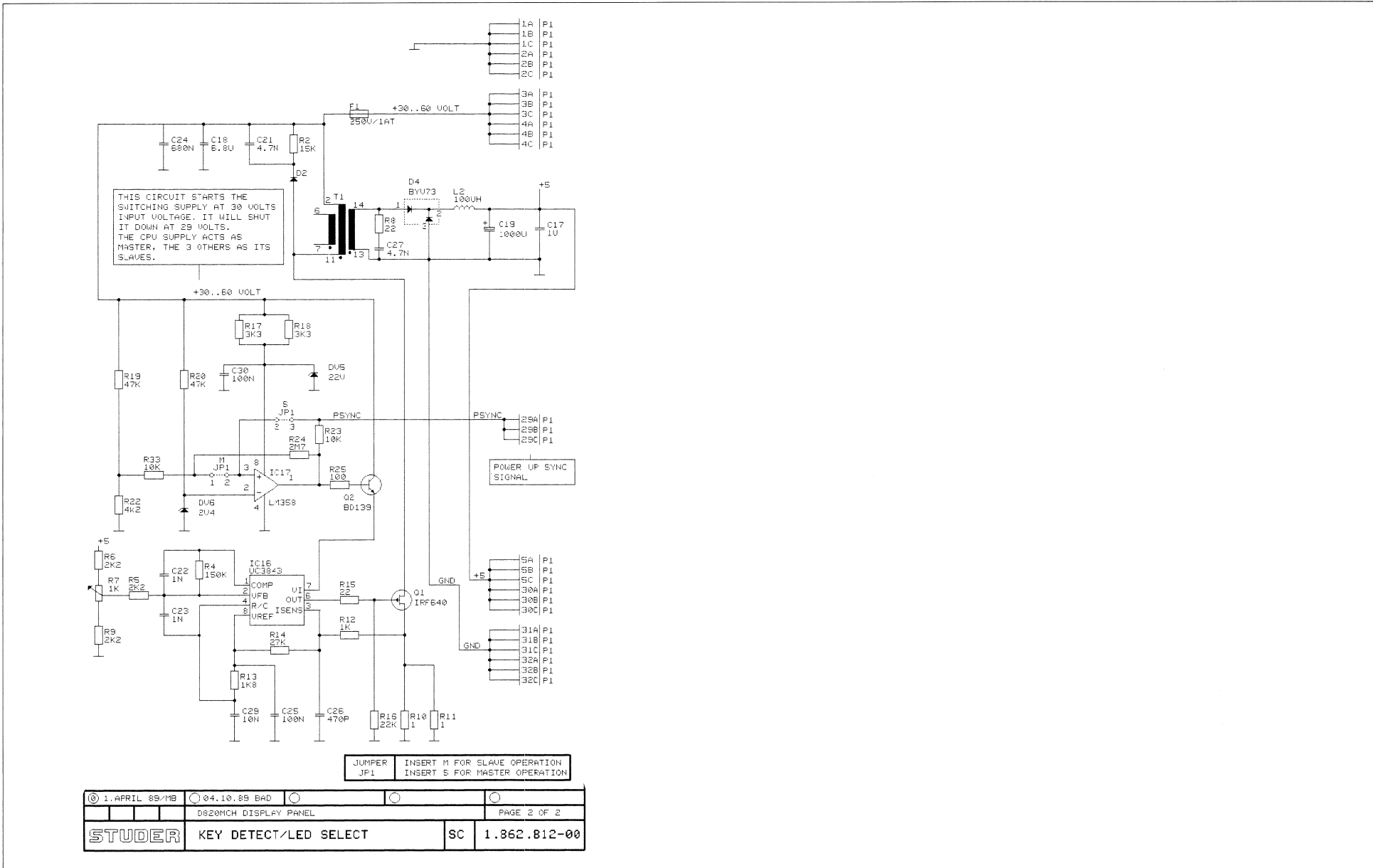
DP AUX KEY DETECTION 1.862.812.00



NOTE:
 TXSEL, TXIRQ STANDS FOR TSEL, TISEL, T2SEL...
 SIGNAL OF CPU. SELECTION IS MADE BY THE
 BACKPANEL!

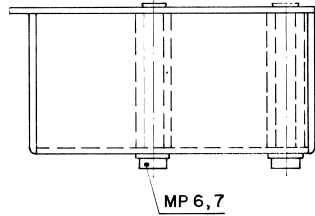
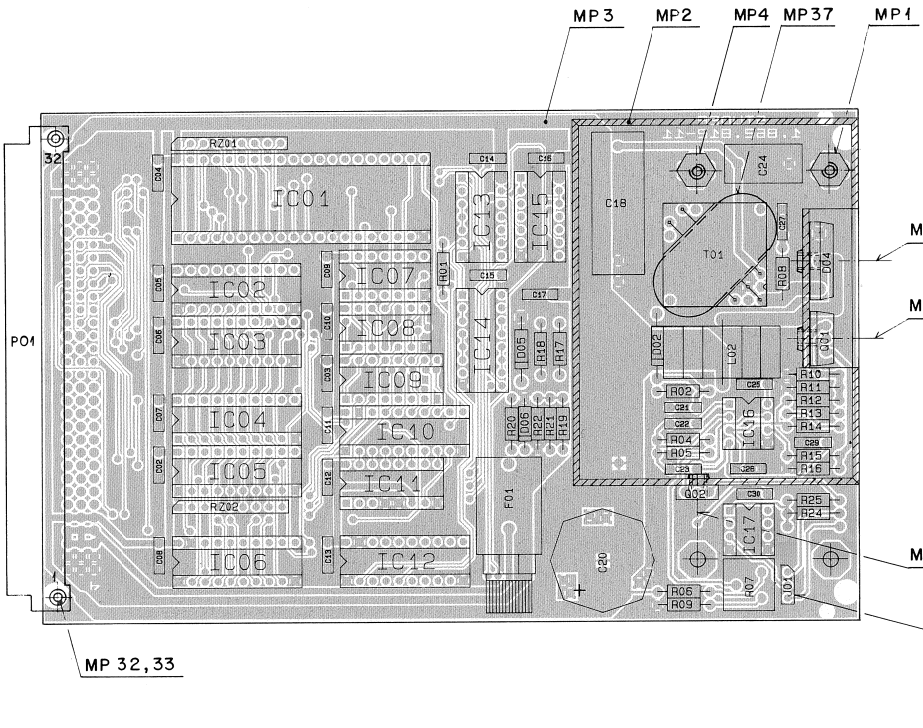
© 1. APRIL 89/MB	① 04.10.89 BAO		
D820 MCH DISPLAY PANEL		PAGE 1 OF 2	
STUDER DP KEY DETECTION		SC	1.862.812-00

DP AUX KEY DETECTION 1.862.812.00



STUDER D820 MCH

DP AUX KEY DETECTION 1.862.812.00



Schilder MP 34, 35, 36 aufgeklebt nach Fabrikationsmuster.

IND.	POS.NO.	PART NO.	VALUE	SPECIFICATIONS / EQUIVALENT	MANUF.
C.....2	59.06.0683	68nF	10%	63V	ANY
C.....3	59.06.0683	68nF	10%	63V	ANY
C.....4	59.06.0683	68nF	10%	63V	ANY
C.....5	59.06.0683	68nF	10%	63V	ANY
C.....6	59.06.0683	68nF	10%	63V	ANY
C.....7	59.06.0683	68nF	10%	63V	ANY
C.....8	59.06.0683	68nF	10%	63V	ANY
C.....9	59.06.0683	68nF	10%	63V	ANY
C.....10	59.06.0683	68nF	10%	63V	ANY
C.....11	59.06.0683	68nF	10%	63V	ANY
C.....12	59.06.0683	68nF	10%	63V	ANY
C.....13	59.06.0683	68nF	10%	63V	ANY
C.....14	59.06.0683	68nF	10%	63V	ANY
C.....15	59.06.0683	68nF	10%	63V	ANY
C.....16	59.06.0104	68nF	10%	63V	PEET
C.....17	59.06.0105	10nF	10%	50V	PEET
C.....18	59.02.0885	68nF	10%	63V	MFC
C.....19	59.28.2222	2200nF	20%	16V	ANY
C.....20	59.02.2472	4.7nF	10%	50V	CER
C.....21	59.06.0102	10nF	10%	63V	PEET
C.....22	59.06.0102	10nF	10%	63V	PEET
C.....23	59.06.0102	10nF	10%	63V	PEET
C.....24	59.02.0684	680nF	5%	63V	MFC
C.....25	59.02.0684	680nF	5%	63V	MFC
C.....26	59.32.2471	470pF	20%	50V	CER
C.....27	59.32.2472	4.7nF	20%	50V	CER
C.....28	59.06.0103	10nF	10%	63V	PEET
C.....29	59.06.0104	10nF	10%	63V	PEET
C.....30	59.06.0104	10nF	10%	63V	PEET
D.....2	50.04.0130	1P	4004		ANY
D.....4	30.04.0520	RVV 73			BN
D.....5	50.04.1224	2-DIODE 22V 1.3W			ANY
D.....6	50.04.1311	2-DIODE 2.4V 500mA			ANY
F.....1	81.01.0117	FUSE, T 1A/250V, S420mm			ANY
IC...1	50.16.0111	MSL 8279 F-5			ANY
IC...2	50.17.1574	74 HC 574			ANY

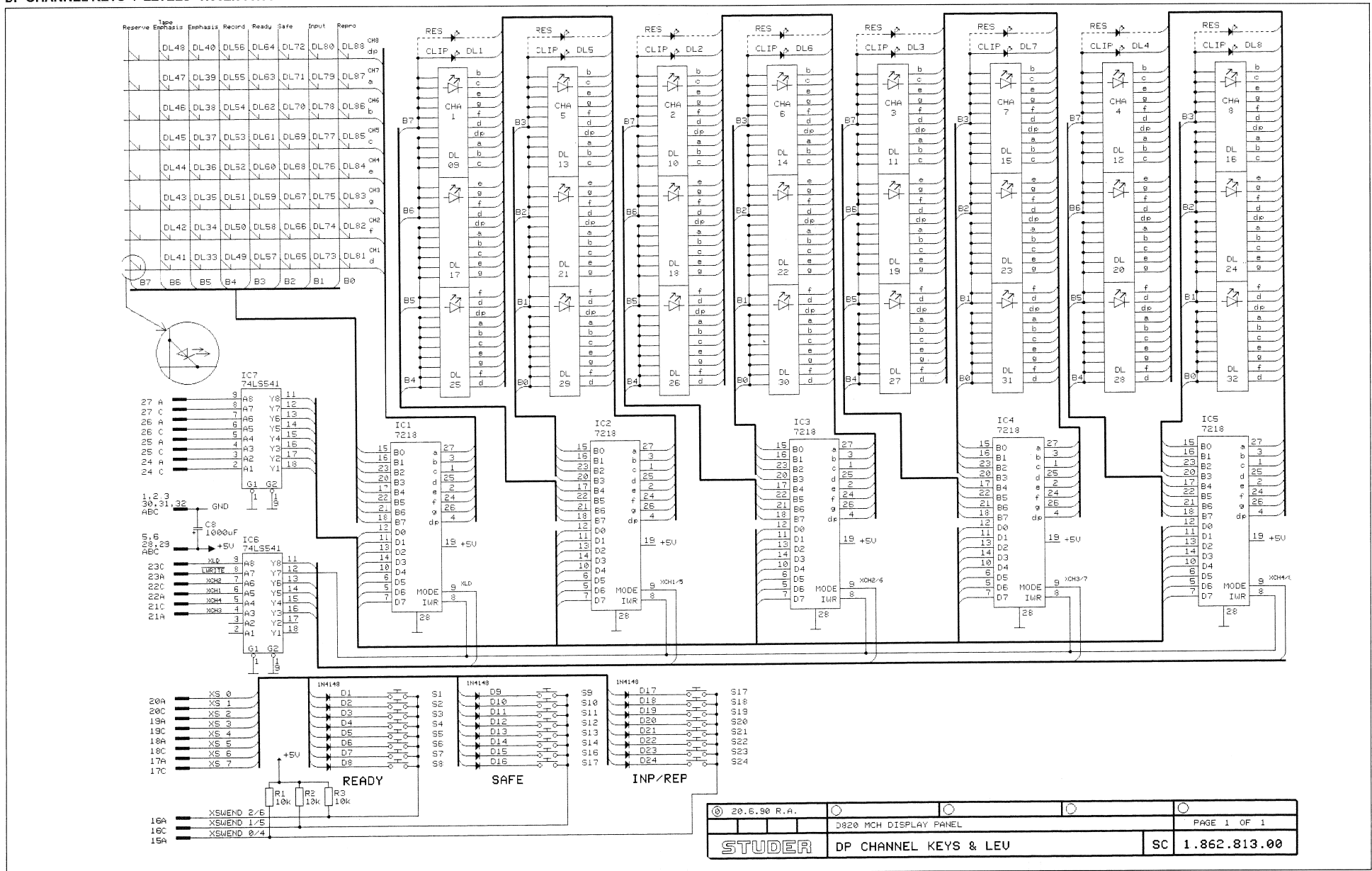
IND.	POS.NO.	PART NO.	VALUE	SPECIFICATIONS / EQUIVALENT	MANUF.
(02)	MP...9			NOT USED	ANY
(00)	MP...10	24.16.1030		WIPERSCHLEIBE M3	ANY
(02)	MP...10			NOT USED	ANY
(00)	MP...11	24.16.1030		WIPERSCHLEIBE M3	ANY
(02)	MP...11			NOT USED	ANY
(00)	MP...12	24.16.1030		WIPERSCHLEIBE M3	ANY
(02)	MP...12			NOT USED	ANY
(00)	MP...13	24.16.1030		WIPERSCHLEIBE M3	ANY
(02)	MP...13			NOT USED	ANY
MP...15		50.20.0705		GLIMMER T0250	ANY
MP...16		50.20.0317		GLIMMER T0218	ANY
(00)	MP...17	50.20.0314		GLIMMER T0126	ANY
(01)	MP...17	50.20.0310		GLIMMER T0126	ANY
MP...18		50.20.0404		ISOL. BUCHSE	ANY
MP...19		50.20.0404		ISOL. BUCHSE	ANY
(00)	MP...20	21.53.0357		M3 X 12 INWERTSCHRAUBT.	ANY
(01)	MP...20	21.53.0356		M3 X 12 INWERTSCHRAUBT.	ANY
(00)	MP...21	21.53.0357		M3 X 12 INWERTSCHRAUBT.	ANY
(01)	MP...21	21.53.0356		M3 X 12 INWERTSCHRAUBT.	ANY
(00)	MP...22	21.53.0354		M3 X 8 INWERTSCHRAUBT.	ANY
MP...23		37.01.0101		FEDERSCHLEIBE M3	ANY
MP...24		37.01.0101		FEDERSCHLEIBE M3	ANY
MP...25		37.01.0101		FEDERSCHLEIBE M3	ANY
MP...26		37.01.0101		FEDERSCHLEIBE M3	ANY
MP...27		37.01.0101		FEDERSCHLEIBE M3	ANY
MP...28		37.01.0101		FEDERSCHLEIBE M3	ANY
MP...29		1.010.096.27		DIST. BOLZEN 2.3mm	ST
(00)	MP...30	1.010.096.27		DIST. BOLZEN 2.3mm	ST
(01)	MP...31	23.01.0132		U-SCHLEIBE M3	ANY
MP...32		28.99.0119		NOT USED	ANY
MP...33		28.99.0119		RIVETING NUT	ST
MP...34		43.01.0108		RIVETING NUT	ST
MP...35		1.010.115.51		ESI-WAERNSCHILD	ANY
MP...36		1.862.812.01		ETIK. SICHERUNG	ST
MP...37		1.010.002.61		ETIK. PEET, NE	ST
MP...37		1.010.002.61		UNTERLAGE 20 SWITCHING TRAFD	ST

IND.	POS.NO.	PART NO.	VALUE	SPECIFICATIONS / EQUIVALENT	MANUF.
F.....1	54.01.0350			CONNECTOR 3 + 32	ANY
Q.....1	50.03.1510			IRF 640	ANY
Q.....2	50.03.0451			BD 139	ANY
R.....1	57.11.3392	3.3 k	1%		ANY
R.....2	57.11.3153	10 k	1%		ANY
R.....4	57.11.3154	150 k	1%		ANY
R.....5	57.11.3222	2.2 k	1%		ANY
R.....6	57.11.3222	2.2 k	1%		ANY
R.....7	58.01.8102	1 k	1%	100% 0.5W, PHG	ANY
R.....8	57.11.3220	22 k	1%		ANY
R.....9	57.11.3222	2.2 k	1%		ANY
R.....10	57.11.3109	1 k	1%		ANY
R.....11	57.11.3109	1 k	1%		ANY
R.....12	57.11.3102	1 k	1%		ANY
R.....13	57.11.3182	1.8 k	1%		ANY
R.....14	57.11.3273	27 k	1%		ANY
R.....15	57.11.3220	22 k	1%		ANY
R.....16	57.11.3223	22 k	1%		ANY
R.....17	57.11.3332	3.3 k	1%		ANY
R.....18	57.11.3332	3.3 k	1%		ANY
R.....19	57.11.3103	47 k	1%		ANY
R.....20	57.11.3473	47 k	1%		ANY
R.....21	57.11.3103	10 k	1%		ANY
R.....22	57.11.3432	4.3 k	1%		ANY
R.....23	57.11.3103	10 k	1%		ANY
R.....24	57.11.5275	2.7 M	1%		ANY
R.....25	57.11.3101	100 k	1%		ANY
T.....1	1.022.628.00			SWITCHING TRANSFORMER	ST
XF.....2	53.03.0118			FUSEHOLDER	ANY
Z.....1	57.88.4332			B H 3x3	ANY
Z.....2	57.88.4332			B H 3x3	ANY

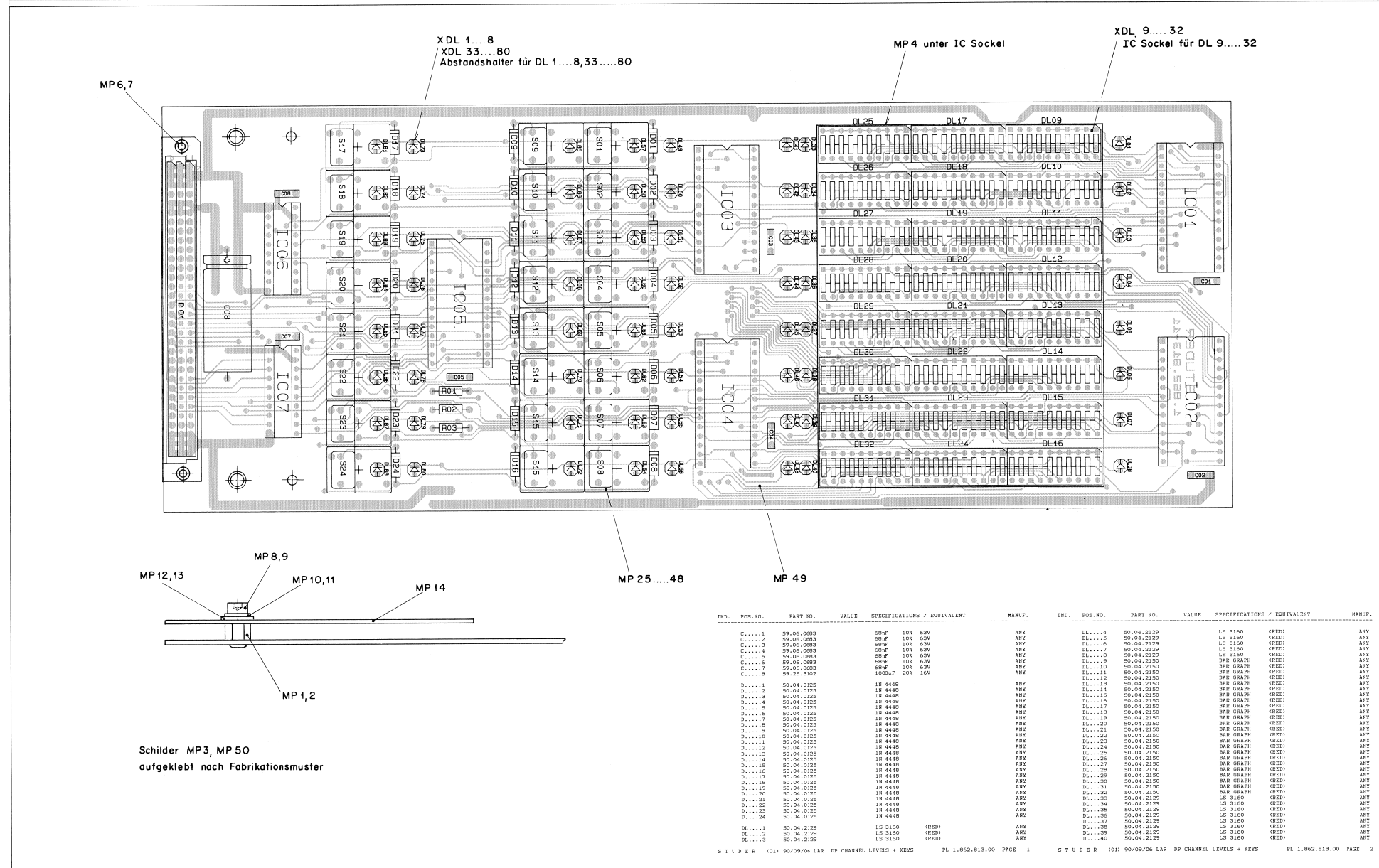
IND.	POS.NO.	PART NO.	VALUE	SPECIFICATIONS / EQUIVALENT	MANUF.
IC...3	50.17.1574			74 HC 574	ANY
IC...4	50.06.1645			74 LS 645	ANY
IC...5	50.17.1574			74 HC 574	ANY
IC...6	50.17.1541			74 HC 541	ANY
IC...7	50.17.1004			74 HC 04	ANY
IC...8	50.17.1074			74 HC 74	ANY
IC...9	50.17.1390			74 HC 139	ANY
IC...10	50.17.1341			74 HC 341	ANY
IC...11	50.17.1390			74 HC 139	ANY
IC...12	50.17.1341			74 HC 341	ANY
IC...13	50.17.1000			74 HC 00	ANY
IC...14	50.06.0031			74 LS 31	ANY
IC...15	50.17.1000			74 HC 00	ANY
IC...16	50.10.0113			UC 3043	ANY
IC...17	50.05.0204			LR 358	ANY
J.....1	54.01.0021			JUNKER CONNECTOR	ANY
JP...1	54.01.0020			JUNKER PIN	ANY
JP...2	54.01.0020			JUNKER PIN	ANY
JP...3	54.01.0020			JUNKER PIN	ANY
L.....2	62.03.0040			TOROIDAL CHOKE 100uH, 5A	ANY
(00)	MP...1	1.010.025.27		M3 X 25MM BOLZEN	ANY
(02)	MP...1	1.010.022.22		M3 X 25MM NIETNUTZER	ANY
(00)	MP...2	1.862.812.02		SCREEN	ST
(00)	MP...3	1.862.812.11		PCB	ST
(02)	MP...4	1.010.025.27		M3 X 25MM BOLZEN	ANY
(00)	MP...4	1.010.022.22		M3 X 25MM NIETNUTZER	ANY
(00)	MP...6	21.51.8054		LIEBERSCHRAUBE M3 X 6MM	ANY
(02)	MP...6	21.52.9354		Z-SCHRAUBE M. SICHT. M3 X 6MM	ANY
(00)	MP...7	21.51.8054		LIEBERSCHRAUBE M3 X 6MM	ANY
(02)	MP...7	21.52.9354		Z-SCHRAUBE M. SICHT. M3 X 6MM	ANY
(00)	MP...8	21.51.8054		LIEBERSCHRAUBE M3 X 6MM	ANY
(02)	MP...8			NOT USED	ANY
(00)	MP...9	21.51.8054		LIEBERSCHRAUBE M3 X 6MM	ANY

IND.	POS.NO.	PART NO.	VALUE	SPECIFICATIONS / EQUIVALENT	MANUF.
ORIG 99/06/16	(01) 99/10/11	(02) 90/06/11			ANY

DP CHANNEL KEYS + LEVELS 1.862.813.00



DP CHANNEL KEYS + LEVELS 1.862.813.00



DP CHANNEL KEYS + LEVELS 1.862.813.00

IND.	POS.NO.	PART NO.	VALUE	SPECIFICATIONS / EQUIVALENT	MANUF.	IND.	POS.NO.	PART NO.	VALUE	SPECIFICATIONS / EQUIVALENT	MANUF.
DL...41		50.04.2152		HLMP 1440 (YELLOW)	HP	MP...50		43.01.0108		ESE-WARNSCHILD	ANY
DL...42		50.04.2152		HLMP 1440 (YELLOW)	HP						
DL...43		50.04.2152		HLMP 1440 (YELLOW)	HP	P....1		54.11.2024		CONNECTOR 3 * 32	ANY
DL...44		50.04.2152		HLMP 1440 (YELLOW)	HP						
DL...45		50.04.2152		HLMP 1440 (YELLOW)	HP	R....1		57.11.3102		1 k 1X	ANY
DL...46		50.04.2152		HLMP 1440 (YELLOW)	HP	R....2		57.11.3102		1 k 1X	ANY
DL...47		50.04.2152		HLMP 1440 (YELLOW)	HP	R....3		57.11.3102		1 k 1X	ANY
DL...48		50.04.2152		HLMP 1440 (YELLOW)	HP						
DL...49		50.04.2129		LS 3160 (RED)	ANY	S....1		55.15.0501		KEY	ANY
DL...50		50.04.2129		LS 3160 (RED)	ANY	S....2		55.15.0501		KEY	ANY
DL...51		50.04.2129		LS 3160 (RED)	ANY	S....3		55.15.0501		KEY	ANY
DL...52		50.04.2129		LS 3160 (RED)	ANY	S....4		55.15.0501		KEY	ANY
DL...53		50.04.2129		LS 3160 (RED)	ANY	S....5		55.15.0501		KEY	ANY
DL...54		50.04.2129		LS 3160 (RED)	ANY	S....6		55.15.0501		KEY	ANY
DL...55		50.04.2129		LS 3160 (RED)	ANY	S....7		55.15.0501		KEY	ANY
DL...56		50.04.2129		LS 3160 (RED)	ANY	S....8		55.15.0501		KEY	ANY
DL...57		50.04.2162		HLMP 1540 (GREEN)	HP	S....9		55.15.0501		KEY	ANY
DL...58		50.04.2162		HLMP 1540 (GREEN)	HP	S....10		55.15.0501		KEY	ANY
DL...59		50.04.2162		HLMP 1540 (GREEN)	HP	S....11		55.15.0501		KEY	ANY
DL...60		50.04.2162		HLMP 1540 (GREEN)	HP	S....12		55.15.0501		KEY	ANY
DL...61		50.04.2162		HLMP 1540 (GREEN)	HP	S....13		55.15.0501		KEY	ANY
DL...62		50.04.2162		HLMP 1540 (GREEN)	HP	S....14		55.15.0501		KEY	ANY
DL...63		50.04.2162		HLMP 1540 (GREEN)	HP	S....15		55.15.0501		KEY	ANY
DL...64		50.04.2162		HLMP 1540 (GREEN)	HP	S....16		55.15.0501		KEY	ANY
DL...65		50.04.2152		HLMP 1440 (YELLOW)	HP	S....17		55.15.0501		KEY	ANY
DL...66		50.04.2152		HLMP 1440 (YELLOW)	HP	S....18		55.15.0501		KEY	ANY
DL...67		50.04.2152		HLMP 1440 (YELLOW)	HP	S....19		55.15.0501		KEY	ANY
DL...68		50.04.2152		HLMP 1440 (YELLOW)	HP	S....20		55.15.0501		KEY	ANY
DL...69		50.04.2152		HLMP 1440 (YELLOW)	HP	S....21		55.15.0501		KEY	ANY
DL...70		50.04.2152		HLMP 1440 (YELLOW)	HP	S....22		55.15.0501		KEY	ANY
DL...71		50.04.2152		HLMP 1440 (YELLOW)	HP	S....23		55.15.0501		KEY	ANY
DL...72		50.04.2152		HLMP 1440 (YELLOW)	HP	S....24		55.15.0501		KEY	ANY
DL...73		50.04.2152		HLMP 1440 (YELLOW)	HP						
DL...74		50.04.2152		HLMP 1440 (YELLOW)	HP	XDL...1		1.862.813.03		LED - ABSTANDSHALTER	ANY
DL...75		50.04.2152		HLMP 1440 (YELLOW)	HP	XDL...2		1.862.813.03		LED - ABSTANDSHALTER	ANY
DL...76		50.04.2152		HLMP 1440 (YELLOW)	HP	XDL...3		1.862.813.03		LED - ABSTANDSHALTER	ANY
DL...77		50.04.2152		HLMP 1440 (YELLOW)	HP	XDL...4		1.862.813.03		LED - ABSTANDSHALTER	ANY

S T U D E R (01) 90/09/06 LAR DP CHANNEL LEVELS + KEYS PL 1.862.813.00 PAGE 3 S T U D E R (01) 90/09/06 LAR DP CHANNEL LEVELS + KEYS PL 1.862.813.00 PAGE 6

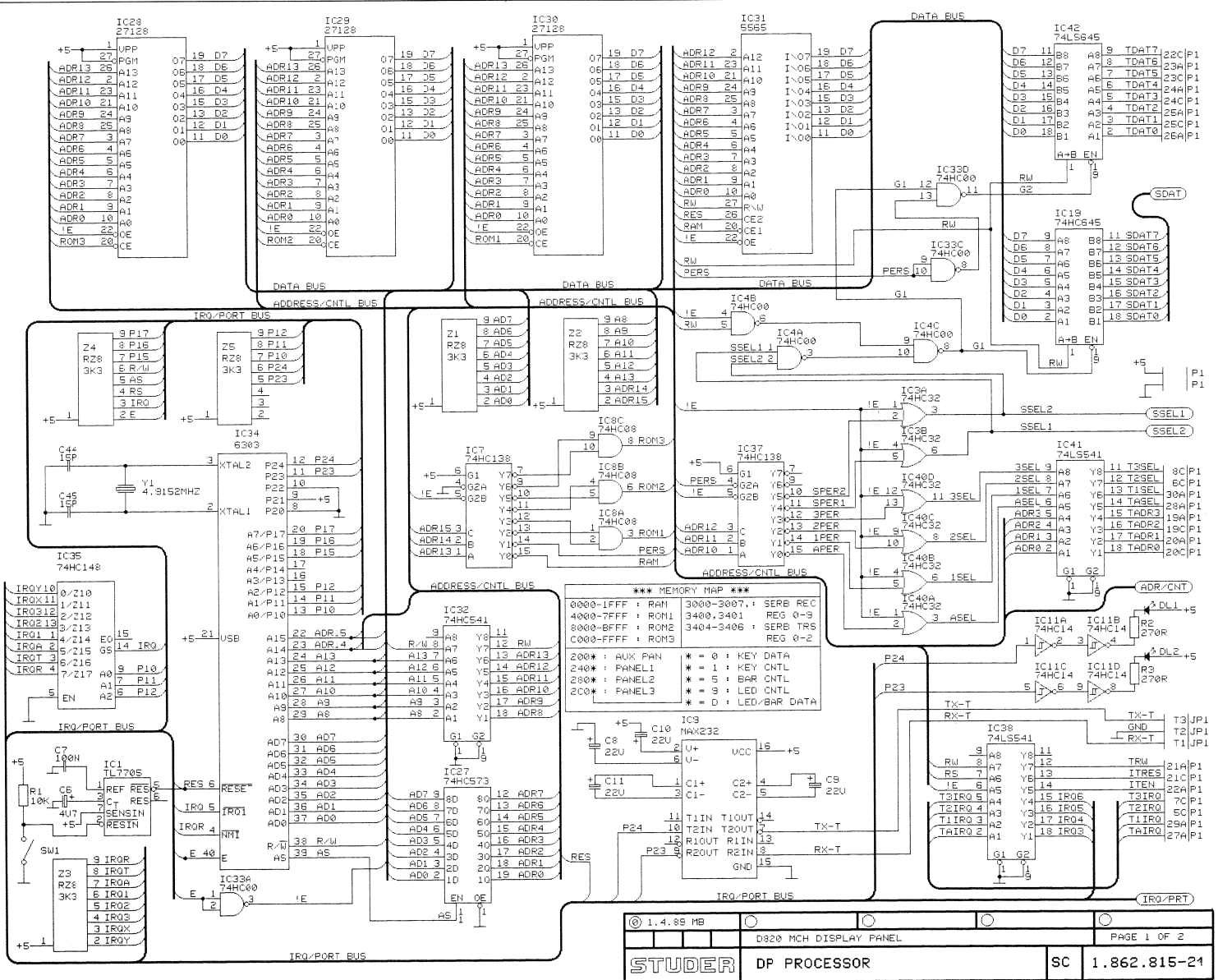
IND.	POS.NO.	PART NO.	VALUE	SPECIFICATIONS / EQUIVALENT	MANUF.	IND.	POS.NO.	PART NO.	VALUE	SPECIFICATIONS / EQUIVALENT	MANUF.
DL...78		50.04.2152		HLMP 1440 (YELLOW)	HP	XDL...5		1.862.813.03		LED - ABSTANDSHALTER	ANY
DL...79		50.04.2152		HLMP 1440 (YELLOW)	HP	XDL...6		1.862.813.03		LED - ABSTANDSHALTER	ANY
DL...80		50.04.2152		HLMP 1440 (YELLOW)	HP	XDL...7		1.862.813.03		LED - ABSTANDSHALTER	ANY
DL...81		50.04.2152		HLMP 1440 (YELLOW)	HP	XDL...8		1.862.813.03		LED - ABSTANDSHALTER	ANY
DL...82		50.04.2152		HLMP 1440 (YELLOW)	HP	XDL...9		53.99.0125		DIL 20-POL (SPECIAL)	ANY
DL...83		50.04.2152		HLMP 1440 (YELLOW)	HP	XDL...10		53.99.0125		DIL 20-POL (SPECIAL)	ANY
DL...84		50.04.2152		HLMP 1440 (YELLOW)	HP	XDL...11		53.99.0125		DIL 20-POL (SPECIAL)	ANY
DL...85		50.04.2152		HLMP 1440 (YELLOW)	HP	XDL...12		53.99.0125		DIL 20-POL (SPECIAL)	ANY
DL...86		50.04.2152		HLMP 1440 (YELLOW)	HP	XDL...13		53.99.0125		DIL 20-POL (SPECIAL)	ANY
DL...87		50.04.2152		HLMP 1440 (YELLOW)	HP	XDL...14		53.99.0125		DIL 20-POL (SPECIAL)	ANY
DL...88		50.04.2152		HLMP 1440 (YELLOW)	HP	XDL...15		53.99.0125		DIL 20-POL (SPECIAL)	ANY
IC...1		50.07.0035		ICM 7218 AIJI	ANY	XDL...16		53.99.0125		DIL 20-POL (SPECIAL)	ANY
IC...2		50.07.0035		ICM 7218 AIJI	ANY	XDL...17		53.99.0125		DIL 20-POL (SPECIAL)	ANY
IC...3		50.07.0035		ICM 7218 AIJI	ANY	XDL...18		53.99.0125		DIL 20-POL (SPECIAL)	ANY
IC...4		50.07.0035		ICM 7218 AIJI	ANY	XDL...19		53.99.0125		DIL 20-POL (SPECIAL)	ANY
IC...5		50.07.0035		ICM 7218 AIJI	ANY	XDL...20		53.99.0125		DIL 20-POL (SPECIAL)	ANY
IC...6		50.06.0541		SN 74 LS 541 N	ANY	XDL...21		53.99.0125		DIL 20-POL (SPECIAL)	ANY
IC...7		50.06.0541		SN 74 LS 541 N	ANY	XDL...22		53.99.0125		DIL 20-POL (SPECIAL)	ANY
MP...1		1.010.041.22		NIETMUTTER M3	ANY	XDL...23		53.99.0125		DIL 20-POL (SPECIAL)	ANY
MP...2		1.010.041.22		NIETMUTTER M3	ANY	XDL...24		53.99.0125		DIL 20-POL (SPECIAL)	ANY
MP...3		1.862.813.02		ETIK. PRINT.NR	ST	XDL...25		53.99.0125		DIL 20-POL (SPECIAL)	ANY
MP...4		1.862.813.02		UNTERLAGE ZU BARGRAPH	ST	XDL...26		53.99.0125		DIL 20-POL (SPECIAL)	ANY
MP...5		28.21.1370		RIVETING NUT	ANY	XDL...27		53.99.0125		DIL 20-POL (SPECIAL)	ANY
MP...6		28.21.1370		RIVETING NUT	ANY	XDL...28		53.99.0125		DIL 20-POL (SPECIAL)	ANY
MP...7		28.21.1370		RIVETING NUT	ANY	XDL...29		53.99.0125		DIL 20-POL (SPECIAL)	ANY
MP...8		21.53.0354		Z-SCHRAUBE M3 * 6	ANY	XDL...30		53.99.0125		DIL 20-POL (SPECIAL)	ANY
MP...9		21.53.0354		Z-SCHRAUBE M3 * 6	ANY	XDL...31		53.99.0125		DIL 20-POL (SPECIAL)	ANY
MP...10		24.16.1030		RIPPENSCHLEIBE M3	ANY	XDL...32		53.99.0125		DIL 20-POL (SPECIAL)	ANY
MP...11		24.16.1030		RIPPENSCHLEIBE M3	ANY	XDL...33		1.862.813.03		LED - ABSTANDSHALTER	ANY
MP...12		23.01.3032		U-SCHLEIBE d3.2 / 5.5	ANY	XDL...34		1.862.813.03		LED - ABSTANDSHALTER	ANY
MP...13		23.01.3032		U-SCHLEIBE d3.2 / 5.5	ANY	XDL...35		1.862.813.03		LED - ABSTANDSHALTER	ANY
MP...14		1.862.800.12		HALT- FOLIE	ST	XDL...36		1.862.813.03		LED - ABSTANDSHALTER	ANY
(00) MP...15		55.15.0510		BUTTON SW	ANY	XDL...37		1.862.813.03		LED - ABSTANDSHALTER	ANY
(01) MP...16		55.15.0510		BUTTON SW	ANY	XDL...38		1.862.813.03		LED - ABSTANDSHALTER	ANY
(00) MP...17		55.15.0515		BUTTON GN	ANY	XDL...39		1.862.813.03		LED - ABSTANDSHALTER	ANY
(00) MP...18		55.15.0510		BUTTON SW	ANY	XDL...40		1.862.813.03		LED - ABSTANDSHALTER	ANY
(01) MP...19		55.15.0515		BUTTON GN	ANY	XDL...41		1.862.813.03		LED - ABSTANDSHALTER	ANY

S T U D E R (01) 90/09/06 LAR DP CHANNEL LEVELS + KEYS PL 1.862.813.00 PAGE 4 S T U D E R (01) 90/09/06 LAR DP CHANNEL LEVELS + KEYS PL 1.862.813.00 PAGE 7

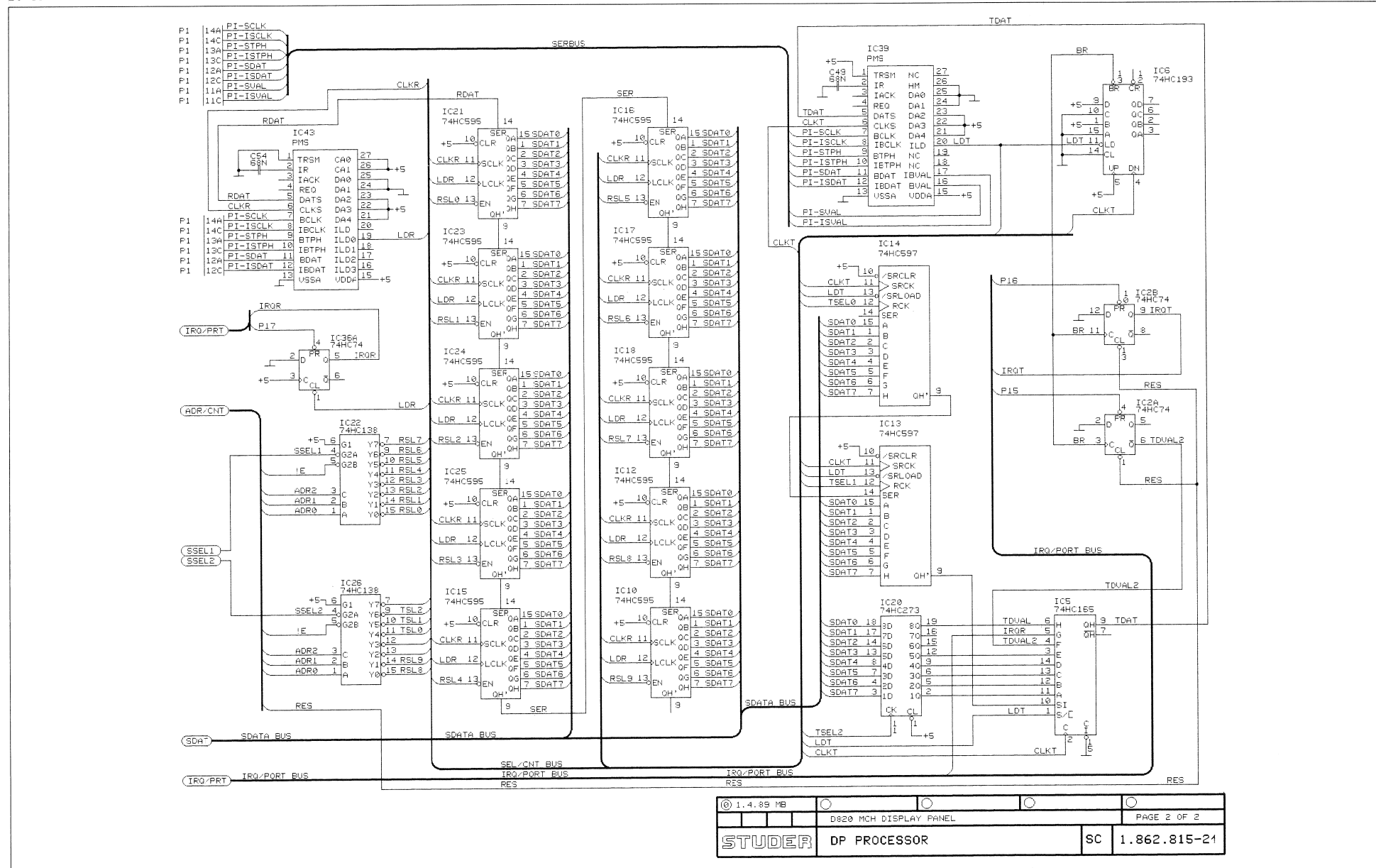
IND.	POS.NO.	PART NO.	VALUE	SPECIFICATIONS / EQUIVALENT	MANUF.	IND.	POS.NO.	PART NO.	VALUE	SPECIFICATIONS / EQUIVALENT	MANUF.
(00) MP...27		55.15.0510		BUTTON SW	ANY	XDL...42		1.862.813.03		LED - ABSTANDSHALTER	ANY
(01) MP...28		55.15.0515		BUTTON GN	ANY	XDL...43		1.862.813.03		LED - ABSTANDSHALTER	ANY
(00) MP...29		55.15.0510		BUTTON SW	ANY	XDL...44		1.862.813.03		LED - ABSTANDSHALTER	ANY
(01) MP...30		55.15.0515		BUTTON GN	ANY	XDL...45		1.862.813.03		LED - ABSTANDSHALTER	ANY
(00) MP...31		55.15.0510		BUTTON SW	ANY	XDL...46		1.862.813.03		LED - ABSTANDSHALTER	ANY
(01) MP...32		55.15.0515		BUTTON GN	ANY	XDL...47		1.862.813.03		LED - ABSTANDSHALTER	ANY
(00) MP...33		55.15.0510		BUTTON SW	ANY	XDL...48		1.862.813.03		LED - ABSTANDSHALTER	ANY
(01) MP...34		55.15.0515		BUTTON GN	ANY	XDL...49		1.862.813.03		LED - ABSTANDSHALTER	ANY
(00) MP...35		55.15.0510		BUTTON SW	ANY	XDL...50		1.862.813.03		LED - ABSTANDSHALTER	ANY
(01) MP...36		55.15.0515		BUTTON GN	ANY	XDL...51		1.862.813.03		LED - ABSTANDSHALTER	ANY
(00) MP...37		55.15.0510		BUTTON SW	ANY	XDL...52		1.862.813.03		LED - ABSTANDSHALTER	ANY
(01) MP...38		55.15.0515		BUTTON GN	ANY	XDL...53		1.862.813.03		LED - ABSTANDSHALTER	ANY
(00) MP...39		55.15.0510		BUTTON SW	ANY	XDL...54		1.862.813.03		LED - ABSTANDSHALTER	ANY
(01) MP...40		55.15.0515		BUTTON GN	ANY	XDL...55		1.862.813.03		LED - ABSTANDSHALTER	ANY
(00) MP...41		55.15.0510		BUTTON SW	ANY	XDL...56		1.862.813.03		LED - ABSTANDSHALTER	ANY
(01) MP...42		55.15.0515		BUTTON GN	ANY	XDL...57		1.862.813.03		LED - ABSTANDSHALTER	ANY
(00) MP...43		55.15.0510		BUTTON SW	ANY	XDL...58		1.862.813.03		LED - ABSTANDSHALTER	ANY
(01) MP...44		55.15.0515		BUTTON GN	ANY	XDL...59		1.862.813.03		LED - ABSTANDSHALTER	ANY
(00) MP...45		55.15.0510		BUTTON SW	ANY	XDL...60		1.862.813.03		LED - ABSTANDSHALTER	ANY
(01) MP...46		55.15.0515		BUTTON GN	ANY						
(00) MP...47		55.15.0510		BUTTON SW	ANY						
(01) MP...48		55.15.0515		BUTTON GN	ANY						
(00) MP...49		55.15.0510		BUTTON SW	ANY						
(01) MP...50		55.15.0515		BUTTON GN	ANY						
MP...51		1.862.813.11		FCB	ST						

S T U D E R (01) 90/09

DP UP BOARD 1.862.815.21



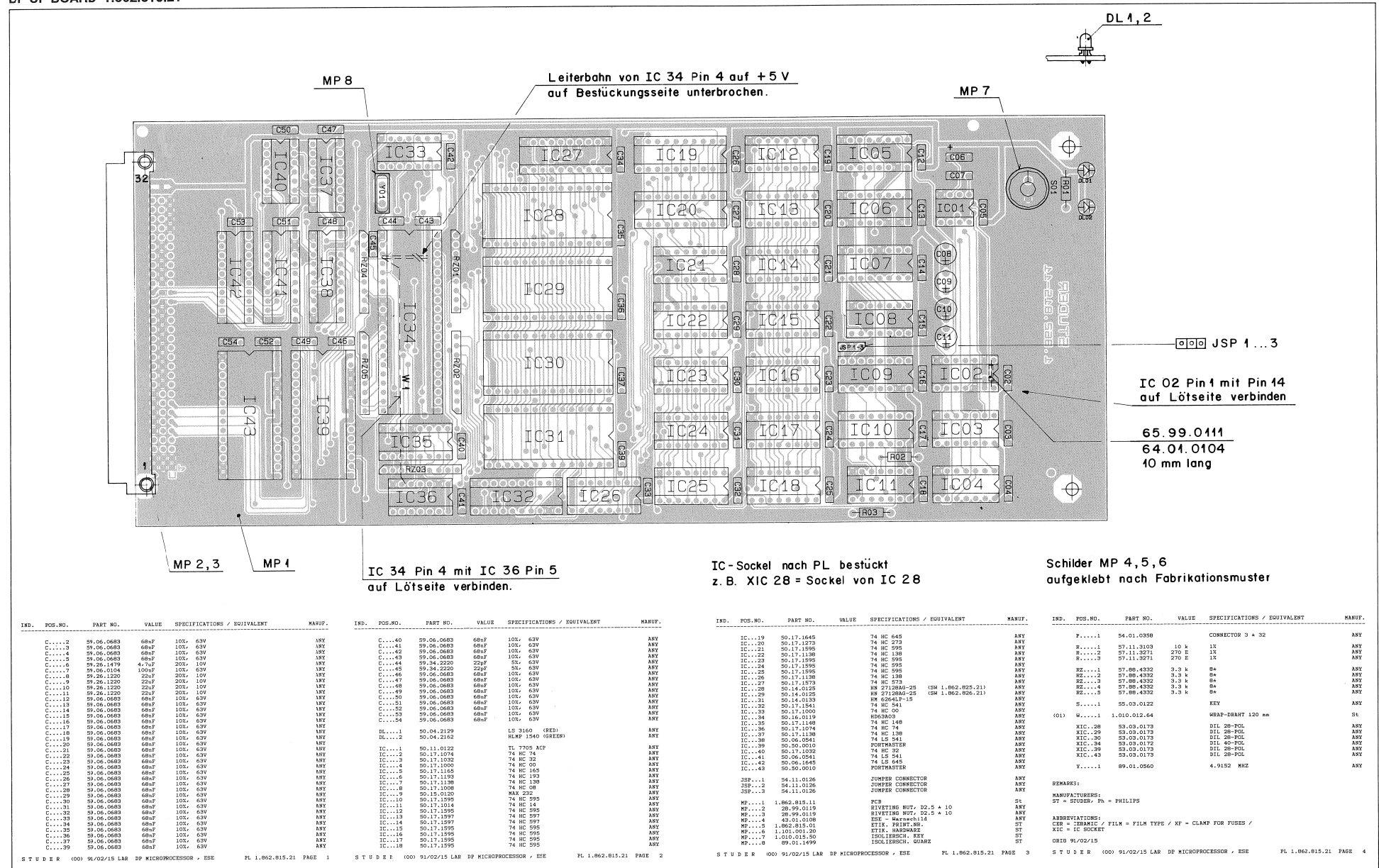
© 1.4.88 MB	D820 MCH DISPLAY PANEL	PAGE 1 OF 2
STUDER	DP PROCESSOR	SC 1.862.815-21



⑩ 1.4.89 MB	D820 MCH DISPLAY PANEL	PAGE 2 OF 2
STUDER DP PROCESSOR		SC 1.862.815-21

STUDER D820 MCH

DP UP BOARD 1.862.815.21



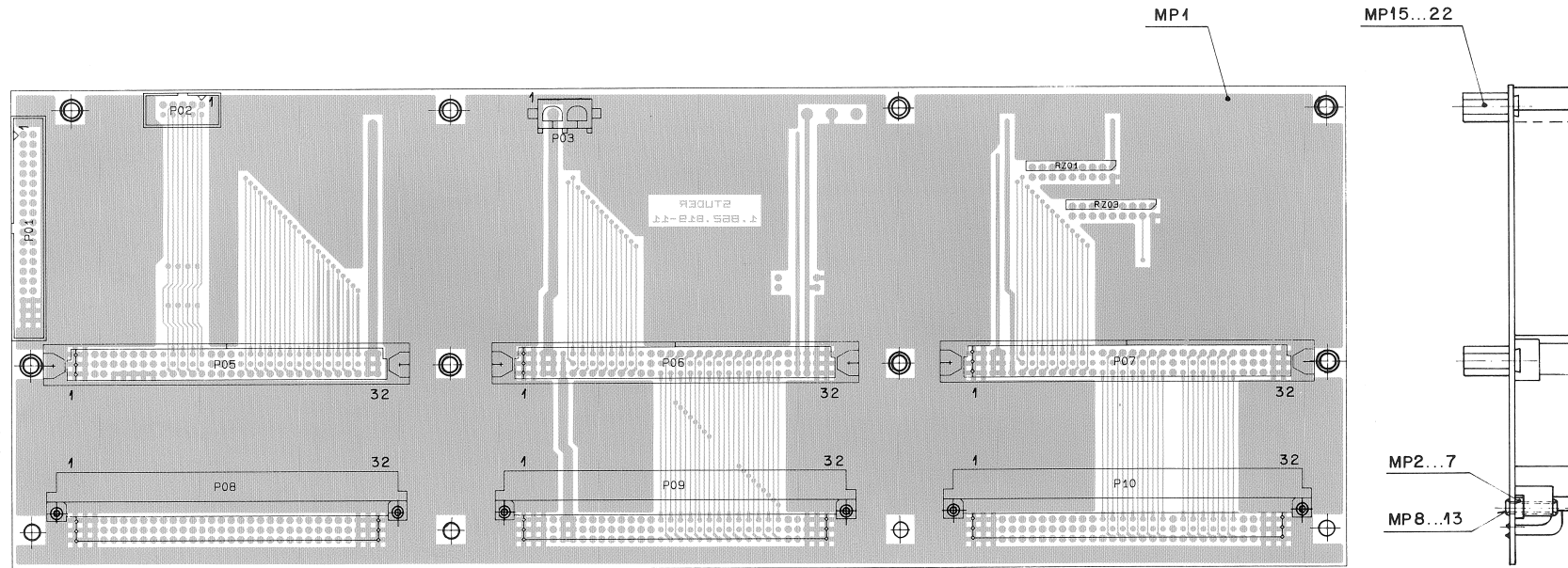
IND.	POS.NO.	PART NO.	VALUE	SPECIFICATIONS / EQUIVALENT	MANUF.
C...	2	59.06.0683	68nF	10%, 63V	ANY
C...	3	59.06.0683	68nF	10%, 63V	ANY
C...	4	59.06.0683	68nF	10%, 63V	ANY
C...	5	59.06.0683	68nF	10%, 63V	ANY
C...	6	59.26.1479	47nF	20%, 10V	ANY
C...	7	59.06.0104	100nF	10%, 63V	ANY
C...	8	59.26.1220	22nF	20%, 10V	ANY
C...	9	59.26.1220	22nF	20%, 10V	ANY
C...	10	59.26.1220	22nF	20%, 10V	ANY
C...	11	59.26.1220	22nF	20%, 10V	ANY
C...	12	59.06.0683	68nF	10%, 63V	ANY
C...	13	59.06.0683	68nF	10%, 63V	ANY
C...	14	59.06.0683	68nF	10%, 63V	ANY
C...	15	59.06.0683	68nF	10%, 63V	ANY
C...	16	59.06.0683	68nF	10%, 63V	ANY
C...	17	59.06.0683	68nF	10%, 63V	ANY
C...	18	59.06.0683	68nF	10%, 63V	ANY
C...	19	59.06.0683	68nF	10%, 63V	ANY
C...	20	59.06.0683	68nF	10%, 63V	ANY
C...	21	59.06.0683	68nF	10%, 63V	ANY
C...	22	59.06.0683	68nF	10%, 63V	ANY
C...	23	59.06.0683	68nF	10%, 63V	ANY
C...	24	59.06.0683	68nF	10%, 63V	ANY
C...	25	59.06.0683	68nF	10%, 63V	ANY
C...	26	59.06.0683	68nF	10%, 63V	ANY
C...	27	59.06.0683	68nF	10%, 63V	ANY
C...	28	59.06.0683	68nF	10%, 63V	ANY
C...	29	59.06.0683	68nF	10%, 63V	ANY
C...	30	59.06.0683	68nF	10%, 63V	ANY
C...	31	59.06.0683	68nF	10%, 63V	ANY
C...	32	59.06.0683	68nF	10%, 63V	ANY
C...	33	59.06.0683	68nF	10%, 63V	ANY
C...	34	59.06.0683	68nF	10%, 63V	ANY
C...	35	59.06.0683	68nF	10%, 63V	ANY
C...	36	59.06.0683	68nF	10%, 63V	ANY
C...	37	59.06.0683	68nF	10%, 63V	ANY
C...	38	59.06.0683	68nF	10%, 63V	ANY
C...	39	59.06.0683	68nF	10%, 63V	ANY

IND.	POS.NO.	PART NO.	VALUE	SPECIFICATIONS / EQUIVALENT	MANUF.
C...	40	59.06.0683	68nF	10%, 63V	ANY
C...	41	59.06.0683	68nF	10%, 63V	ANY
C...	42	59.06.0683	68nF	10%, 63V	ANY
C...	43	59.06.0683	68nF	10%, 63V	ANY
C...	44	59.34.2220	22nF	5%, 63V	ANY
C...	45	59.34.2220	22nF	5%, 63V	ANY
C...	46	59.06.0683	68nF	10%, 63V	ANY
C...	47	59.06.0683	68nF	10%, 63V	ANY
C...	48	59.06.0683	68nF	10%, 63V	ANY
C...	49	59.06.0683	68nF	10%, 63V	ANY
C...	50	59.06.0683	68nF	10%, 63V	ANY
C...	51	59.06.0683	68nF	10%, 63V	ANY
C...	52	59.06.0683	68nF	10%, 63V	ANY
C...	53	59.06.0683	68nF	10%, 63V	ANY
C...	54	59.06.0683	68nF	10%, 63V	ANY
DL...	1	50.04.2129		LS 3160 (BEE)	ANY
DL...	2	50.04.2162		HLMF 1540 (GREEN)	ANY
IC...	1	50.11.0122		TL 7705 MP	ANY
IC...	2	50.17.1074		74 HC 74	ANY
IC...	3	50.17.1092		74 HC 32	ANY
IC...	4	50.17.1090		74 HC 09	ANY
IC...	5	50.17.1165		74 HC 105	ANY
IC...	6	50.17.1193		74 HC 153	ANY
IC...	7	50.17.1138		74 HC 138	ANY
IC...	8	50.17.1090		74 HC 09	ANY
IC...	9	50.15.0120		MAX 292	ANY
IC...	10	50.17.1190		74 HC 595	ANY
IC...	11	50.17.1014		74 HC 14	ANY
IC...	12	50.17.1190		74 HC 595	ANY
IC...	13	50.17.1097		74 HC 597	ANY
IC...	14	50.17.1190		74 HC 095	ANY
IC...	15	50.17.1195		74 HC 595	ANY
IC...	16	1.101.001.20		ETIK. HARMONIA	ANY
IC...	17	50.17.1195		74 HC 595	ANY
IC...	18	50.17.1195		74 HC 595	ANY
IC...	19	50.17.1195		74 HC 595	ANY

IND.	POS.NO.	PART NO.	VALUE	SPECIFICATIONS / EQUIVALENT	MANUF.
IC...	19	50.17.1645		74 HC 645	ANY
IC...	20	50.17.1270		74 HC 273	ANY
IC...	21	50.17.1595		74 HC 595	ANY
IC...	22	50.17.1190		74 HC 595	ANY
IC...	23	50.17.1595		74 HC 595	ANY
IC...	24	50.17.1595		74 HC 595	ANY
IC...	25	50.17.1595		74 HC 595	ANY
IC...	26	50.17.1595		74 HC 595	ANY
IC...	27	50.17.1595		74 HC 595	ANY
IC...	28	50.14.0125		HW 27128AG-2S (SH 1.862.826.21)	ANY
IC...	29	50.14.0125		HW 27128AG-2S (SH 1.862.826.21)	ANY
IC...	30	50.14.0125		HW 27128AG-2S (SH 1.862.826.21)	ANY
IC...	31	50.14.0125		HW 27128AG-2S (SH 1.862.826.21)	ANY
IC...	32	50.17.1541		74 HC 541	ANY
IC...	33	50.17.1000		HW 64641P-1S	ANY
IC...	34	50.17.1000		H583A03	ANY
IC...	35	50.17.1149		74 HC 149	ANY
IC...	36	50.17.1074		74 HC 74	ANY
IC...	37	50.17.1074		74 HC 138	ANY
IC...	38	50.17.1138		74 LS 541	ANY
IC...	39	50.50.0010		FOURPASTER	ANY
IC...	40	50.17.1074		74 HC 74	ANY
IC...	41	50.06.0041		74 LS 645	ANY
IC...	42	50.06.1645		74 LS 645	ANY
IC...	43	50.50.0010		FOURPASTER	ANY
JSP...	1	54.11.0126		JUMPER CONNECTOR	ANY
JSP...	2	54.11.0126		JUMPER CONNECTOR	ANY
JSP...	3	54.11.0126		JUMPER CONNECTOR	ANY
MP...	1	1.862.815.11		PCB	ANY
MP...	2	28.99.0119		RIVETING NUT, D2.5 x 10	ANY
MP...	3	28.99.0119		RIVETING NUT, D2.5 x 10	ANY
MP...	4	43.01.0106		ETK. MATRIZIOLA	ANY
MP...	5	1.862.815.01		ETIK. PRINT.86.	ANY
MP...	6	1.101.001.20		ETIK. HARMONIA	ANY
MP...	7	1.010.015.50		ISOLIERSCH. RES	ANY
MP...	8	89.01.1499		ISOLIERSCH. QUARZ	ANY

IND.	POS.NO.	PART NO.	VALUE	SPECIFICATIONS / EQUIVALENT	MANUF.
F...	1	54.01.0358		CONNECTOR 3 x 32	ANY
R...	1	57.11.3103	10 k	1%	ANY
R...	2	57.11.3271	270 E	1%	ANY
R...	3	57.11.3271	270 E	1%	ANY
R2...	1	57.88.4332	3.3 k	5%	ANY
R2...	2	57.88.4332	3.3 k	5%	ANY
R2...	3	57.88.4332	3.3 k	5%	ANY
R2...	4	57.88.4332	3.3 k	5%	ANY
R2...	5	57.88.4332	3.3 k	5%	ANY
S...	1	55.03.0122		KEY	ANY
W...	1	1.010.012.64		WRAP-DRAHT 120 mm	St
XIC...	28	53.03.0173		DL 28-POL	ANY
XIC...	29	53.03.0173		DL 28-POL	ANY
XIC...	30	53.03.0173		DL 28-POL	ANY
XIC...	34	53.03.0173		DL 40-POL	ANY
XIC...	39	53.03.0173		DL 28-POL	ANY
XIC...	43	53.03.0173		DL 28-POL	ANY
Y...	1	89.01.0560		4.9152 MHz	ANY
REMARKS:					
MANUFACTURERS:					
ST = STUDER, Pn = PHILIPS					
ABBREVIATIONS:					
CB = CERAMIC / FILM = FILM TYPE / XP = CLAMP FOR FUSES /					
ETK = ETIKETTEN					
XIC = IC SOCKET					
ORIG 91/02/15					

DP BACKPANEL 16 + 1.862.819.00



IND.	POS.NO.	PART NO.	VALUE	SPECIFICATIONS / EQUIVALENT	MANUF.	IND.	POS.NO.	PART NO.	VALUE	SPECIFICATIONS / EQUIVALENT	MANUF.
	MP...1	1.862.819.11	PCB		ST	F...10	1.862.819.03	CONNECTOR 3 * 32 SPEZ.			HA
000	MP...2	1.010.020.23	DISTANZRING	FOM 42.7 / 5 x 1.5	ST	Z...1	57.88.4332	R= 3.3 K			ANY
011	MP...3	1.010.119.23	DISTANZRING	FOM 42.7 / 5 x 1.5	ST	Z...3	57.88.4332	B= 3.3 K			ANY
000	MP...4	1.010.020.23	DISTANZRING	FOM 42.7 / 5 x 1.5	ST						
011	MP...5	1.010.119.23	DISTANZRING	FOM 42.7 / 5 x 1.5	ST						
000	MP...6	1.010.020.23	DISTANZRING	FOM 42.7 / 5 x 1.5	ST						
011	MP...7	1.010.119.23	DISTANZRING	FOM 42.7 / 5 x 1.5	ST						
000	MP...8	28.21.2312	RIVETING NUT	2-5x12	ANY						
011	MP...9	28.21.2312	RIVETING NUT	2-5x12	ANY						
000	MP...10	28.21.2312	RIVETING NUT	2-5x12	ANY						
011	MP...11	28.21.2312	RIVETING NUT	2-5x12	ANY						
000	MP...12	28.21.2312	RIVETING NUT	2-5x12	ANY						
011	MP...13	28.21.2312	RIVETING NUT	2-5x12	ANY						
000	MP...14	1.862.819.01	STIK. PRINT.NR		ST						
011	MP...15	1.862.819.02	RIEHTMUTTER		ST						
000	MP...16	1.862.819.02	RIEHTMUTTER		ST						
011	MP...17	1.862.819.02	RIEHTMUTTER		ST						
000	MP...18	1.862.819.02	RIEHTMUTTER		ST						
011	MP...19	1.862.819.02	RIEHTMUTTER		ST						
000	MP...20	1.862.819.02	RIEHTMUTTER		ST						
011	MP...21	1.862.819.02	RIEHTMUTTER		ST						
000	MP...22	1.862.819.02	RIEHTMUTTER		ST						
	F...1	54.14.4040	CONNECTOR 40-PIN ACTION PIN		ANY						
	F...2	54.14.4010	CONNECTOR 10-PIN ACTION PIN		ANY						
	F...3	54.25.0002	POWER CON. 2-POL		ANY						
	F...4	54.11.2011	CONNECTOR 3 * 32 ACTION PIN		ANY						
	F...5	54.11.2011	CONNECTOR 3 * 32 ACTION PIN		ANY						
	F...6	54.11.2011	CONNECTOR 3 * 32 ACTION PIN		ANY						
	F...7	54.11.2011	CONNECTOR 3 * 32 ACTION PIN		ANY						
	F...8	1.862.819.03	CONNECTOR 3 * 32 SPEZ.		HA						
	F...9	1.862.819.03	CONNECTOR 3 * 32 SPEZ.		HA						

REMARKS:
011 EP 2...7 Distanzring Kanatstoff

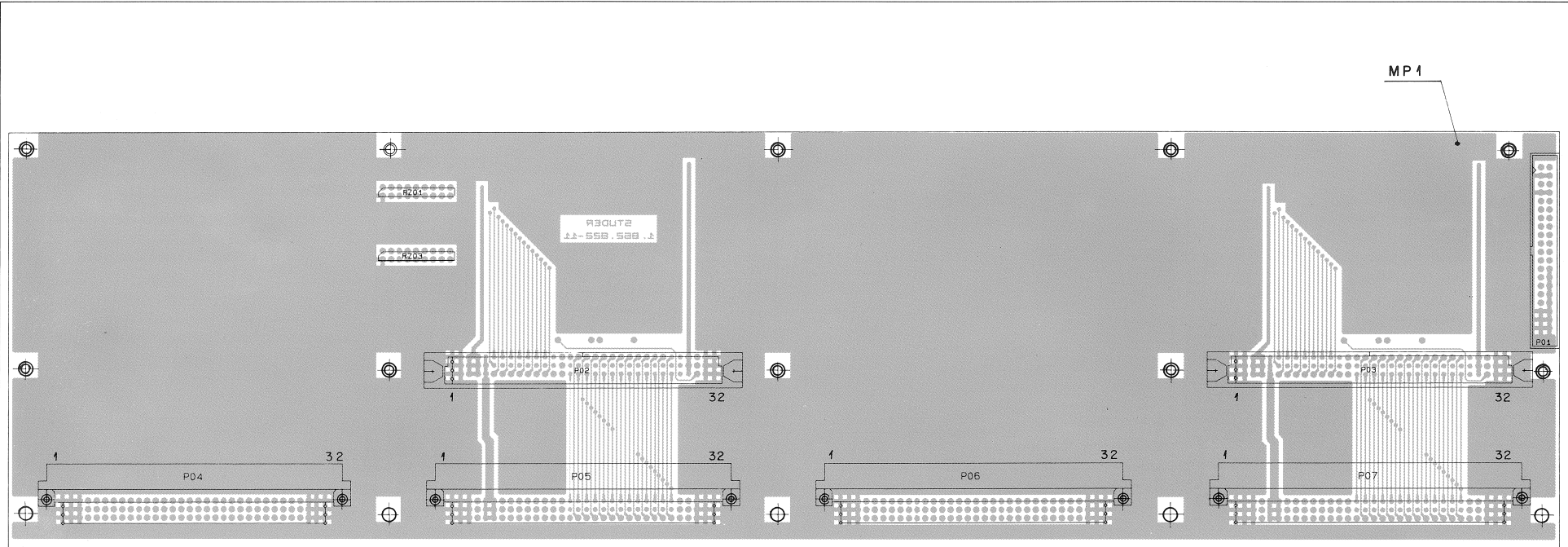
MANUFACTURERS:
ST = STUDER, Ph = PHILIPS

ABBREVIATIONS:
CER = CERAMIC / FILM = FILM TYPE / XF = CLAMP FOR FUSES /
ZIC = IC SOCKET

ORIG 89/07/05 (01) 90/02/16

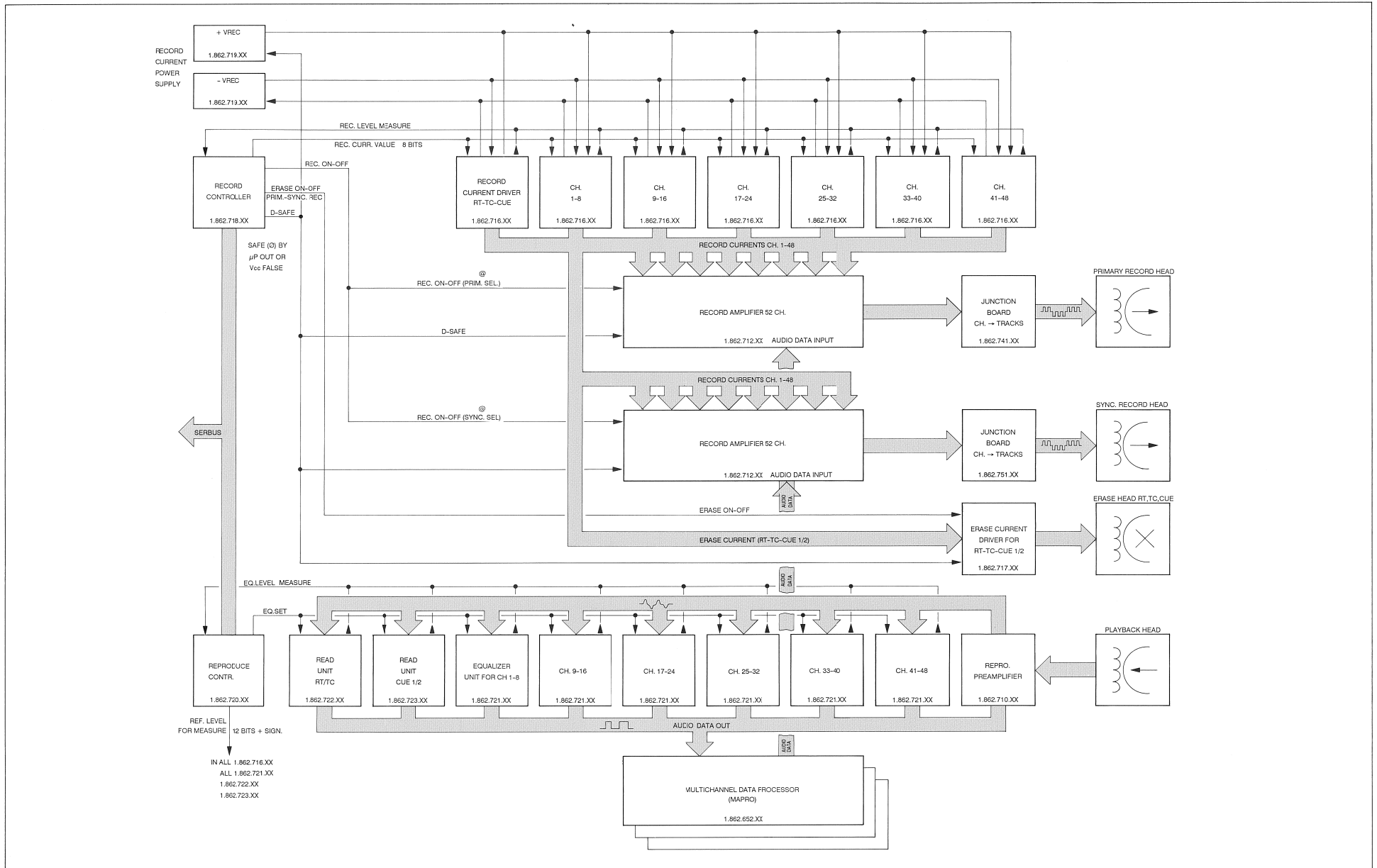
S T U D E R (01) 90/02/16 RU DP BACKPANEL 16* PL 1.862.819.00 PAGE 1 S T U D E R (01) 90/02/16 RU DP BACKPANEL 16* PL 1.862.819.00 PAGE 2

DP BACKPANEL 16 + 32 1.862.822.00



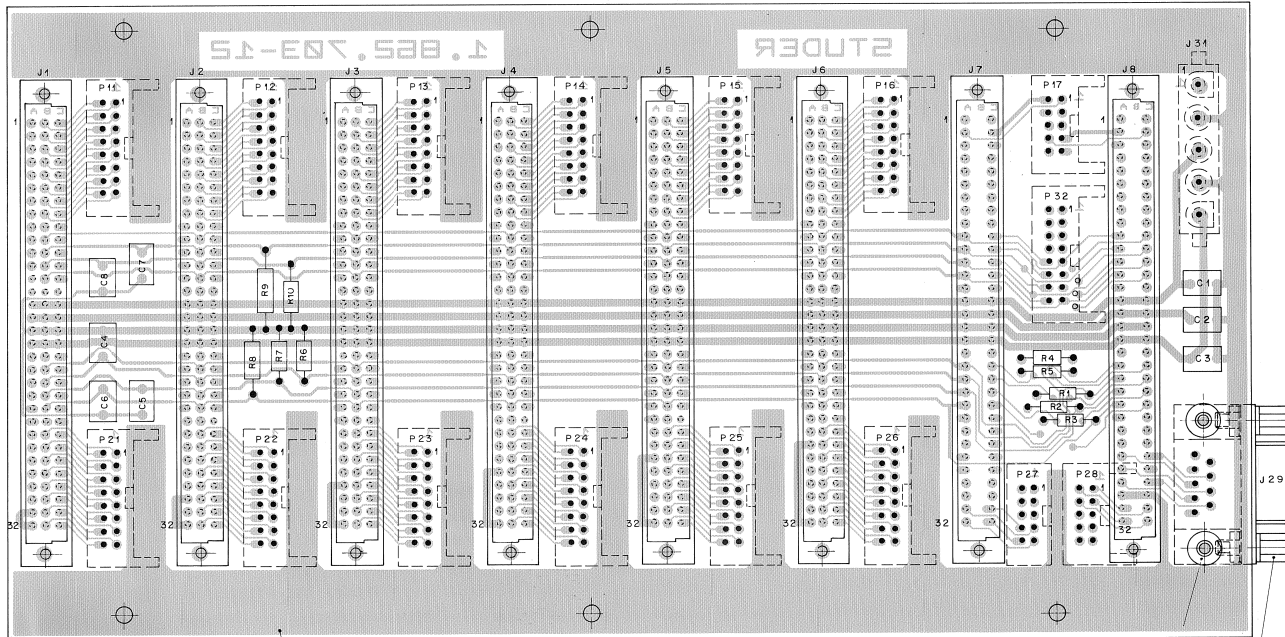
IND.	POS.NO.	PART NO.	VALUE	SPECIFICATIONS / EQUIVALENT	MARUF.	IND.	POS.NO.	PART NO.	VALUE	SPECIFICATIONS / EQUIVALENT	MARUF.
		ME...1	1.862.822.11	PCB	ST			F....1	54.14.4040	CONNECTOR 40-PIN ACTI05 PIN	ANY
000	ME...2	1.010.020.23		DISTANZRING	ST			F....2	54.11.2011	CONNECTOR 3 + 32 ACTI05 PIN	ANY
013	ME...3	1.010.113.23		DISTANZRING POM 2,7 / 5 x 1,5	ST			F....3	54.11.2011	CONNECTOR 3 + 32 ACTI05 PIN	ANY
000	ME...4	1.010.020.23		DISTANZRING	ST			F....4	1.862.819.03	CONNECTOR 3 + 32 SPEZ.	HA
013	ME...5	1.010.113.23		DISTANZRING POM 2,7 / 5 x 1,5	ST			F....5	1.862.819.03	CONNECTOR 3 + 32 SPEZ.	HA
000	ME...6	1.010.020.23		DISTANZRING	ST			F....6	1.862.819.03	CONNECTOR 3 + 32 SPEZ.	HA
013	ME...7	1.010.113.23		DISTANZRING POM 2,7 / 5 x 1,5	ST			F....7	1.862.819.03	CONNECTOR 3 + 32 SPEZ.	HA
000	ME...8	1.010.020.23		DISTANZRING	ST			Z.....1	57.88.4332	8 * 3,3 K	ANY
013	ME...9	1.010.113.23		DISTANZRING POM 2,7 / 5 x 1,5	ST			Z.....3	57.88.4332	8 * 3,3 K	ANY
000	ME...10	1.010.020.23		DISTANZRING	ST						
013	ME...11	1.010.113.23		DISTANZRING POM 2,7 / 5 x 1,5	ST						
000	ME...12	1.010.020.23		DISTANZRING	ST						
013	ME...13	1.010.113.23		DISTANZRING POM 2,7 / 5 x 1,5	ST						
000	ME...14	1.010.020.23		DISTANZRING	ST						
013	ME...15	1.010.113.23		DISTANZRING POM 2,7 / 5 x 1,5	ST						
000	ME...16	1.010.020.23		DISTANZRING	ST						
013	ME...17	1.010.113.23		DISTANZRING POM 2,7 / 5 x 1,5	ST						
		ME...18	1.862.822.01	STIF. PRINT.NR	ST						
		ME...19	1.862.819.02	NIETMUTTER	ST			REMARKS:			
		ME...20	1.862.819.02	NIETMUTTER	ST			01: MP 2...9 Distanzring Kunststoff			
		ME...21	1.862.819.02	NIETMUTTER	ST			MANUFACTURERS:			
		ME...22	1.862.819.02	NIETMUTTER	ST			ST = STUDER, Ph = PHILIPS			
		ME...23	1.862.819.02	NIETMUTTER	ST			ABBREVIATIONS:			
		ME...24	1.862.819.02	NIETMUTTER	ST			CER = CERAMIC / FILM = FILM TYPE / NF = CLAMP FOR FUSES /			
		ME...25	1.862.819.02	NIETMUTTER	ST			KIC = IC SOCKET			
		ME...26	1.862.819.02	NIETMUTTER	ST			ORIG 89/07/05 (01) 90/02/16			
		ME...27	1.862.819.02	NIETMUTTER	ST						
		ME...28	1.862.819.02	NIETMUTTER	ST						

BLOCKDIAGRAM HEADELECTRONICS



STUDER D820 MCH

BASIS BOARD EQUALIZER 1.862.703.00



IND.	POS.NO.	PART NO.	VALUE	SPECIFICATIONS / EQUIVALENT	MANUF.
	C....1	59.06.0105	1 uF	10%, 50V / PETP	
	C....2	59.06.0105	1 uF	10%, 50V / PETP	
	C....3	59.06.0105	1 uF	10%, 50V / PETP	
(01)	C....4	59.34.5471	470 pF	5%, CER	
(01)	C....5	59.34.5471	470 pF	5%, CER	
(01)	C....6		not used		
(01)	C....7	59.34.5471	470 pF	5%, CER	
(01)	C....8		not used		
	J....1	54.11.2011	Connector	3 + 32 Bure Print	
	J....2	54.11.2011	Connector	3 + 32 Bure Print	
	J....3	54.11.2011	Connector	3 + 32 Bure Print	
	J....4	54.11.2011	Connector	3 + 32 Bure Print	
	J....5	54.11.2011	Connector	3 + 32 Bure Print	
	J....6	54.11.2011	Connector	3 + 32 Bure Print	
	J....7	54.11.2026	Connector	3 + 32 Bure Print	
	J....8	54.11.2026	Connector	3 + 32 Bure Print	
(00)	J....9	54.13.0001	Connector	2 + 32 Bure Print	AMP
(02)	J....29	54.13.0111	Connector	9 Contacts	T+B
	J....31	54.25.0005	Connector	5 Contacts	AMP
(00)	F....11	54.14.2102	Connector	16 Contacts, latch, ribbon cable	
(02)	F....11	54.14.2122	Connector	16 Contacts, latch, ribbon cable	
(00)	F....12	54.14.2102	Connector	16 Contacts, latch, ribbon cable	
(02)	F....12	54.14.2122	Connector	16 Contacts, latch, ribbon cable	
(00)	F....13	54.14.2102	Connector	16 Contacts, latch, ribbon cable	
(02)	F....13	54.14.2122	Connector	16 Contacts, latch, ribbon cable	
(00)	F....14	54.14.2102	Connector	16 Contacts, latch, ribbon cable	
(02)	F....14	54.14.2122	Connector	16 Contacts, latch, ribbon cable	
(00)	F....15	54.14.2102	Connector	16 Contacts, latch, ribbon cable	
(02)	F....15	54.14.2122	Connector	16 Contacts, latch, ribbon cable	
(00)	F....16	54.14.2102	Connector	16 Contacts, latch, ribbon cable	
(02)	F....16	54.14.2122	Connector	16 Contacts, latch, ribbon cable	
(00)	F....17	54.14.2101	Connector	10 Contacts, latch, ribbon cable	
(02)	F....17	54.14.2121	Connector	10 Contacts, latch, ribbon cable	
(00)	F....21	54.14.2102	Connector	16 Contacts, latch, ribbon cable	
(02)	F....21	54.14.2122	Connector	16 Contacts, latch, ribbon cable	

STUDER (02) 90/05/17 IVA BASIS BOARD EQUALIZER PL 1.862.703.00 PAGE 1

IND.	POS.NO.	PART NO.	VALUE	SPECIFICATIONS / EQUIVALENT	MANUF.
(00)	F....22	54.14.2102	Connector	16 Contacts, latch, ribbon cable	
(02)	F....22	54.14.2122	Connector	16 Contacts, latch, ribbon cable	
(00)	F....23	54.14.2102	Connector	16 Contacts, latch, ribbon cable	
(02)	F....23	54.14.2122	Connector	16 Contacts, latch, ribbon cable	
(00)	F....24	54.14.2102	Connector	16 Contacts, latch, ribbon cable	
(02)	F....24	54.14.2122	Connector	16 Contacts, latch, ribbon cable	
(00)	F....25	54.14.2102	Connector	16 Contacts, latch, ribbon cable	
(02)	F....25	54.14.2122	Connector	16 Contacts, latch, ribbon cable	
(00)	F....26	54.14.2102	Connector	16 Contacts, latch, ribbon cable	
(02)	F....26	54.14.2122	Connector	16 Contacts, latch, ribbon cable	
(00)	F....27	54.14.2101	Connector	10 Contacts, latch, ribbon cable	
(02)	F....27	54.14.2121	Connector	10 Contacts, latch, ribbon cable	
(00)	F....28	54.14.2101	Connector	10 Contacts, latch, ribbon cable	
(02)	F....28	54.14.2121	Connector	10 Contacts, latch, ribbon cable	
(00)	F....32	54.14.2102	Connector	16 Contacts, latch, ribbon cable	
(02)	F....32	54.14.2122	Connector	16 Contacts, latch, ribbon cable	
(01)	R....1	57.11.3470	47 Ohm	5%, 0207 / MF	
(01)	R....2	57.11.3470	47 Ohm	5%, 0207 / MF	
(01)	R....3	57.11.3470	47 Ohm	5%, 0207 / MF	
(01)	R....4	57.11.3470	47 Ohm	5%, 0207 / MF	
(01)	R....5	57.11.3470	47 Ohm	5%, 0207 / MF	
(01)	R....6		not used		
(01)	R....7		not used		
(01)	R....8		not used		
(01)	R....9		not used		
(01)	R....10		not used		

STUDER (02) 90/05/17 IVA BASIS BOARD EQUALIZER PL 1.862.703.00 PAGE 2

IND.	POS.NO.	PART NO.	VALUE	SPECIFICATIONS / EQUIVALENT	MANUF.
(01)	10.10.89			Improved interference suppression on control lines (D-Sig.)	
(02)	17.05.90			New connectors with long contacts.	

PETP=Polyesterfilm
 MANUFACTURER: Po=Panchoil; G=General Instruments; IT=Intermetal; Ni=NiMetec; Ph=Philips; S=Siemens; SPS=SPS/Seip; T=Telefunken; Tho=Thomson.

1.862.703-12

23 01 1032 (2x)
 28 21 1480 (2x)
 1010.036-54 (2x)
 24 16 1030 (4x)
 22 01 8030 (2x)

R1...R5, C4..C6 neu dazu

Schild 1.862.703-01 aufgeklebt nach Fabrikationsmuster.

GRIS 89/04/24 (01) 89/10/10 (02) 90/05/17
 STUDER (02) 90/05/17 IVA BASIS BOARD EQUALIZER PL 1.862.703.00 PAGE 3

BASIS BOARD AUDIO CONTROL 1.862.704.00

IND.	POS.NO.	PART NO.	VALUE	SPECIFICATIONS / EQUIVALENT	MANUF.
C....1		59.06.0472	4700 pF	10%, 63V, PETP	
C....2		59.06.0472	4700 pF	10%, 63V, PETP	
C....3		59.06.0472	4700 pF	10%, 63V, PETP	
C....4		59.06.0472	4700 pF	10%, 63V, PETP	
C....5		59.06.0103	.01 uF	10%, 63V, PETP	
C....6		59.06.0472	4700 pF	10%, 63V, PETP	
C....7		59.06.0472	4700 pF	10%, 63V, PETP	
C....8		59.06.0472	4700 pF	10%, 63V, PETP	
C....9		59.06.0472	4700 pF	10%, 63V, PETP	
C....10		59.06.0472	4700 pF	10%, 63V, PETP	
C....11		59.06.0472	4700 pF	10%, 63V, PETP	
C....12		59.06.0472	4700 pF	10%, 63V, PETP	
C....13		59.06.0472	4700 pF	10%, 63V, PETP	
C....14		59.06.0472	4700 pF	10%, 63V, PETP	
C....15		59.06.0472	4700 pF	10%, 63V, PETP	
C....16		59.06.0472	4700 pF	10%, 63V, PETP	
C....17		59.06.0472	4700 pF	10%, 63V, PETP	
C....18		59.06.0472	4700 pF	10%, 63V, PETP	
C....19		59.06.0472	4700 pF	10%, 63V, PETP	
C....20		59.06.0472	4700 pF	10%, 63V, PETP	
C....21		59.06.0472	4700 pF	10%, 63V, PETP	
C....22		59.06.0472	4700 pF	10%, 63V, PETP	
C....23		59.06.0472	4700 pF	10%, 63V, PETP	
C....24		59.06.0472	4700 pF	10%, 63V, PETP	
C....25		59.06.0472	4700 pF	10%, 63V, PETP	
C....26		59.06.0472	4700 pF	10%, 63V, PETP	
C....27		59.06.0472	4700 pF	10%, 63V, PETP	
C....28		59.06.0472	4700 pF	10%, 63V, PETP	
C....29		59.06.0472	4700 pF	10%, 63V, PETP	
C....30		59.06.0102	1000 pF	10%, 63V, PETP	
C....31		59.06.0102	1000 pF	10%, 63V, PETP	
C....32		59.06.0102	1000 pF	10%, 63V, PETP	
C....33		59.06.0472	4700 pF	10%, 63V, PETP	
C....34		59.06.0472	4700 pF	10%, 63V, PETP	
C....35		59.06.0472	4700 pF	10%, 63V, PETP	
C....36		59.06.0472	4700 pF	10%, 63V, PETP	
C....37		59.06.0472	4700 pF	10%, 63V, PETP	

S T U D E R (01) 89/09/19 IVA BASIS BOARD AUDIO CONTROLLER PL 1.862.704.00 PAGE 1

IND.	POS.NO.	PART NO.	VALUE	SPECIFICATIONS / EQUIVALENT	MANUF.
C....38		59.06.0472	4700 pF	10%, 63V, PETP	
C....39		59.06.0472	4700 pF	10%, 63V, PETP	
C....40		59.06.0472	4700 pF	10%, 63V, PETP	
C....41		59.06.0472	4700 pF	10%, 63V, PETP	
C....42		59.06.0472	4700 pF	10%, 63V, PETP	
C....43		59.06.0472	4700 pF	10%, 63V, PETP	
C....44		59.06.0472	4700 pF	10%, 63V, PETP	
C....45		59.06.0472	4700 pF	10%, 63V, PETP	
C....46		59.06.0472	4700 pF	10%, 63V, PETP	
C....47		59.06.0472	4700 pF	10%, 63V, PETP	
C....48		59.06.0472	4700 pF	10%, 63V, PETP	
C....49		59.06.0472	4700 pF	10%, 63V, PETP	
C....50		59.06.0472	4700 pF	10%, 63V, PETP	
C....51		59.06.0472	4700 pF	10%, 63V, PETP	
C....52		59.06.0472	4700 pF	10%, 63V, PETP	
C....53		59.06.0472	4700 pF	10%, 63V, PETP	
C....54		59.06.0472	4700 pF	10%, 63V, PETP	
C....55		59.06.0472	4700 pF	10%, 63V, PETP	
C....56		59.06.0472	4700 pF	10%, 63V, PETP	
C....57		59.06.0103	.01 uF	10%, 63V, PETP	
J....1		54.11.2005	Connector	2 * 32 Euro Print	
J....2		54.11.2005	Connector	2 * 32 Euro Print	
J....3		54.11.2005	Connector	2 * 32 Euro Print	
J....4		54.11.2005	Connector	2 * 32 Euro Print	
J....5		54.11.2005	Connector	2 * 32 Euro Print	
J....6		54.11.2005	Connector	2 * 32 Euro Print	
J....7		54.11.2024	Connector	3 * 32 Euro Print	
J....8		54.11.2024	Connector	3 * 32 Euro Print	
J....9		54.11.2005	Connector	2 * 32 Euro Print	
J....10		54.11.2005	Connector	2 * 32 Euro Print	
J....11		54.11.2005	Connector	2 * 32 Euro Print	
J....12		54.11.2005	Connector	2 * 32 Euro Print	
J....13		54.11.2005	Connector	2 * 32 Euro Print	
J....14		54.11.2005	Connector	2 * 32 Euro Print	

(00) L.....1 62.01.0115 Coil Wideband
 S T U D E R (01) 89/09/19 IVA BASIS BOARD AUDIO CONTROLLER PL 1.862.704.00 PAGE 2

IND.	POS.NO.	PART NO.	VALUE	SPECIFICATIONS / EQUIVALENT	MANUF.
(01) L.....1			not used		
P....31		54.14.2102	Connector	16 Contacts, Latch, Flat Cable	
P....32		54.14.2001	Connector	10 Contacts, Flat Cable	
P....33		54.14.2001	Connector	10 Contacts, Flat Cable	
P....34		54.14.2001	Connector	10 Contacts, Flat Cable	
P....35		54.13.0021	Connector	9 Contacts	AMP
P....36		54.14.2102	Connector	16 Contacts, Latch, Flat Cable	
P....37		54.25.0006	Connector	6 Contacts, 16A	AMP
P....38		54.25.0003	Connector	3 Contacts, 16A	AMP
P....39		54.14.2003	Connector	26 Contacts, Flat Cable	
P....40		54.14.2003	Connector	26 Contacts, Flat Cable	
P....41		54.14.2003	Connector	26 Contacts, Flat Cable	
P....42		54.14.2003	Connector	26 Contacts, Flat Cable	
P....43		54.14.2003	Connector	26 Contacts, Flat Cable	
P....44		54.14.2003	Connector	26 Contacts, Flat Cable	
R....1		57.11.3470	47 Ohm	5%, 0207, MF	
R....2		57.11.3470	47 Ohm	5%, 0207, MF	
R....3		57.11.3470	47 Ohm	5%, 0207, MF	
R....4		57.11.3101	100 Ohm	5%, 0207, MF	

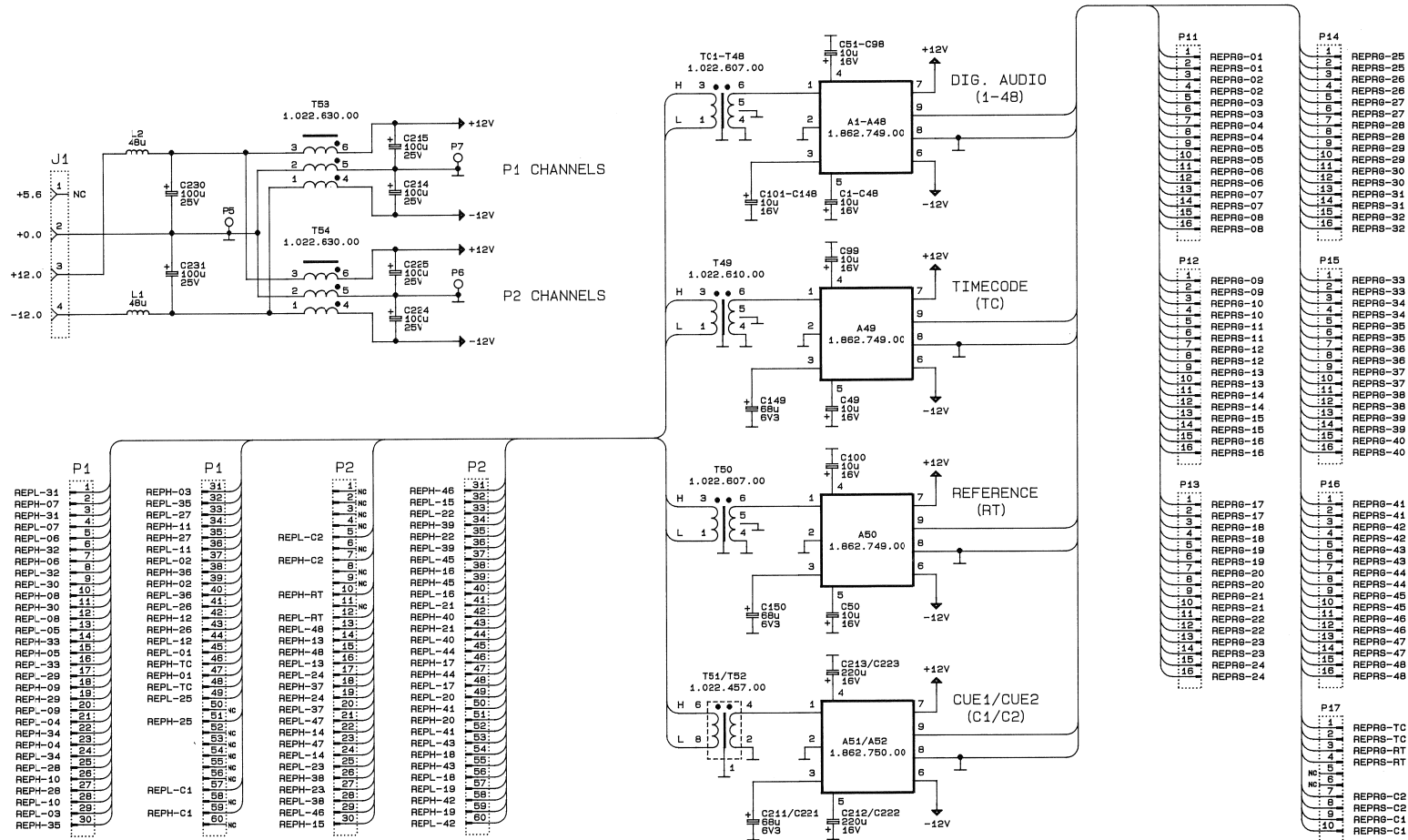
(1) 19.09.89 Improved noise suppression on A-NESREF Signal.

MANUFACTURER: F=Fairchild, GI=General Instruments, ITT=Intermetall, M=Motorola, PH=Philips, SES=Seacoses, SGS=SGS/Ates, T=Telefunken, TH=Thomson.

ORIG 89/04/26 (01) 89/09/19

S T U D E R (01) 89/09/19 IVA BASIS BOARD AUDIO CONTROLLER PL 1.862.704.00 PAGE 3

REPRO PREAMPLIFIER 48 CH 1.862.710.00



© 06.10.89 ZB	D 820 MCH	PAGE 1 OF 1
STUDER	REPRO PREAMPLIFIER 48 CH	SC 1.862.710.00

STUDER D820 MCH

REPRO PREAMPLIFIER 48 CH 1.862.710.00

IND.	POS.NO.	PART NO.	VALUE	SPECIFICATIONS / EQUIVALENT	MANUF.
	P....2	1.862.405.02		Connection cable	St
	P....5	54.02.0320		Faston connector, 2.8*0.8, straight	
	P....6	54.02.0320		Faston connector, 2.8*0.8, straight	
	P....7	54.02.0320		Faston connector, 2.8*0.8, straight	
(00)	P....11	54.14.2002	Connector	16 contacts, flat cable	
(01)	P....11	54.14.2102	Connector	16 contacts, latch, flat cable	
(00)	P....12	54.14.2002	Connector	16 contacts, flat cable	
(01)	P....12	54.14.2102	Connector	16 contacts, latch, flat cable	
(00)	P....13	54.14.2002	Connector	16 contacts, flat cable	
(01)	P....13	54.14.2102	Connector	16 contacts, latch, flat cable	
(00)	P....14	54.14.2002	Connector	16 contacts, flat cable	
(01)	P....14	54.14.2102	Connector	16 contacts, latch, flat cable	
(00)	P....15	54.14.2002	Connector	16 contacts, flat cable	
(01)	P....15	54.14.2102	Connector	16 contacts, latch, flat cable	
(00)	P....16	54.14.2002	Connector	16 contacts, flat cable	
(01)	P....16	54.14.2102	Connector	16 contacts, latch, flat cable	
(00)	P....17	54.14.2001	Connector	10 contacts, flat cable	
(01)	P....17	54.14.2101	Connector	10 contacts, latch, flat cable	
	T....1	1.022.607.00		Head Transformer Audio Data	St
	T....2	1.022.607.00		Head Transformer Audio Data	St
	T....3	1.022.607.00		Head Transformer Audio Data	St
	T....4	1.022.607.00		Head Transformer Audio Data	St
	T....5	1.022.607.00		Head Transformer Audio Data	St
	T....6	1.022.607.00		Head Transformer Audio Data	St
	T....7	1.022.607.00		Head Transformer Audio Data	St
	T....8	1.022.607.00		Head Transformer Audio Data	St
	T....9	1.022.607.00		Head Transformer Audio Data	St
	T....10	1.022.607.00		Head Transformer Audio Data	St
	T....11	1.022.607.00		Head Transformer Audio Data	St
	T....12	1.022.607.00		Head Transformer Audio Data	St
	T....13	1.022.607.00		Head Transformer Audio Data	St
	T....14	1.022.607.00		Head Transformer Audio Data	St
	T....15	1.022.607.00		Head Transformer Audio Data	St
	T....16	1.022.607.00		Head Transformer Audio Data	St
	T....17	1.022.607.00		Head Transformer Audio Data	St
	T....18	1.022.607.00		Head Transformer Audio Data	St

S T U D E R (01) 89/09/14 ZB REPRO PREAMPLIFIER 48 CH PL 1.862.710.00 PAGE 7

IND.	POS.NO.	PART NO.	VALUE	SPECIFICATIONS / EQUIVALENT	MANUF.
	T....19	1.022.607.00		Head Transformer Audio Data	St
	T....20	1.022.607.00		Head Transformer Audio Data	St
	T....21	1.022.607.00		Head Transformer Audio Data	St
	T....22	1.022.607.00		Head Transformer Audio Data	St
	T....23	1.022.607.00		Head Transformer Audio Data	St
	T....24	1.022.607.00		Head Transformer Audio Data	St
	T....25	1.022.607.00		Head Transformer Audio Data	St
	T....26	1.022.607.00		Head Transformer Audio Data	St
	T....27	1.022.607.00		Head Transformer Audio Data	St
	T....28	1.022.607.00		Head Transformer Audio Data	St
	T....29	1.022.607.00		Head Transformer Audio Data	St
	T....30	1.022.607.00		Head Transformer Audio Data	St
	T....31	1.022.607.00		Head Transformer Audio Data	St
	T....32	1.022.607.00		Head Transformer Audio Data	St
	T....33	1.022.607.00		Head Transformer Audio Data	St
	T....34	1.022.607.00		Head Transformer Audio Data	St
	T....35	1.022.607.00		Head Transformer Audio Data	St
	T....36	1.022.607.00		Head Transformer Audio Data	St
	T....37	1.022.607.00		Head Transformer Audio Data	St
	T....38	1.022.607.00		Head Transformer Audio Data	St
	T....39	1.022.607.00		Head Transformer Audio Data	St
	T....40	1.022.607.00		Head Transformer Audio Data	St
	T....41	1.022.607.00		Head Transformer Audio Data	St
	T....42	1.022.607.00		Head Transformer Audio Data	St
	T....43	1.022.607.00		Head Transformer Audio Data	St
	T....44	1.022.607.00		Head Transformer Audio Data	St
	T....45	1.022.607.00		Head Transformer Audio Data	St
	T....46	1.022.607.00		Head Transformer Audio Data	St
	T....47	1.022.607.00		Head Transformer Audio Data	St
	T....48	1.022.607.00		Head Transformer Audio Data	St
	T....49	1.022.610.00		Head Transformer Time Code	St
	T....50	1.022.607.00		Head Transformer Audio Data	St
	T....51	1.022.457.00		Head Transformer Cue Track	St
	T....52	1.022.457.00		Head Transformer Cue Track	St
	T....53	1.022.630.00		Common Mode Choke	St
	T....54	1.022.630.00		Common Mode Choke	St

S T U D E R (01) 89/09/14 ZB REPRO PREAMPLIFIER 48 CH PL 1.862.710.00 PAGE 8

IND.	POS.NO.	PART NO.	VALUE	SPECIFICATIONS / EQUIVALENT	MANUF.
------	---------	----------	-------	-----------------------------	--------

(01) 14.09.89 Connectors P11 to P17 with retaining latches.

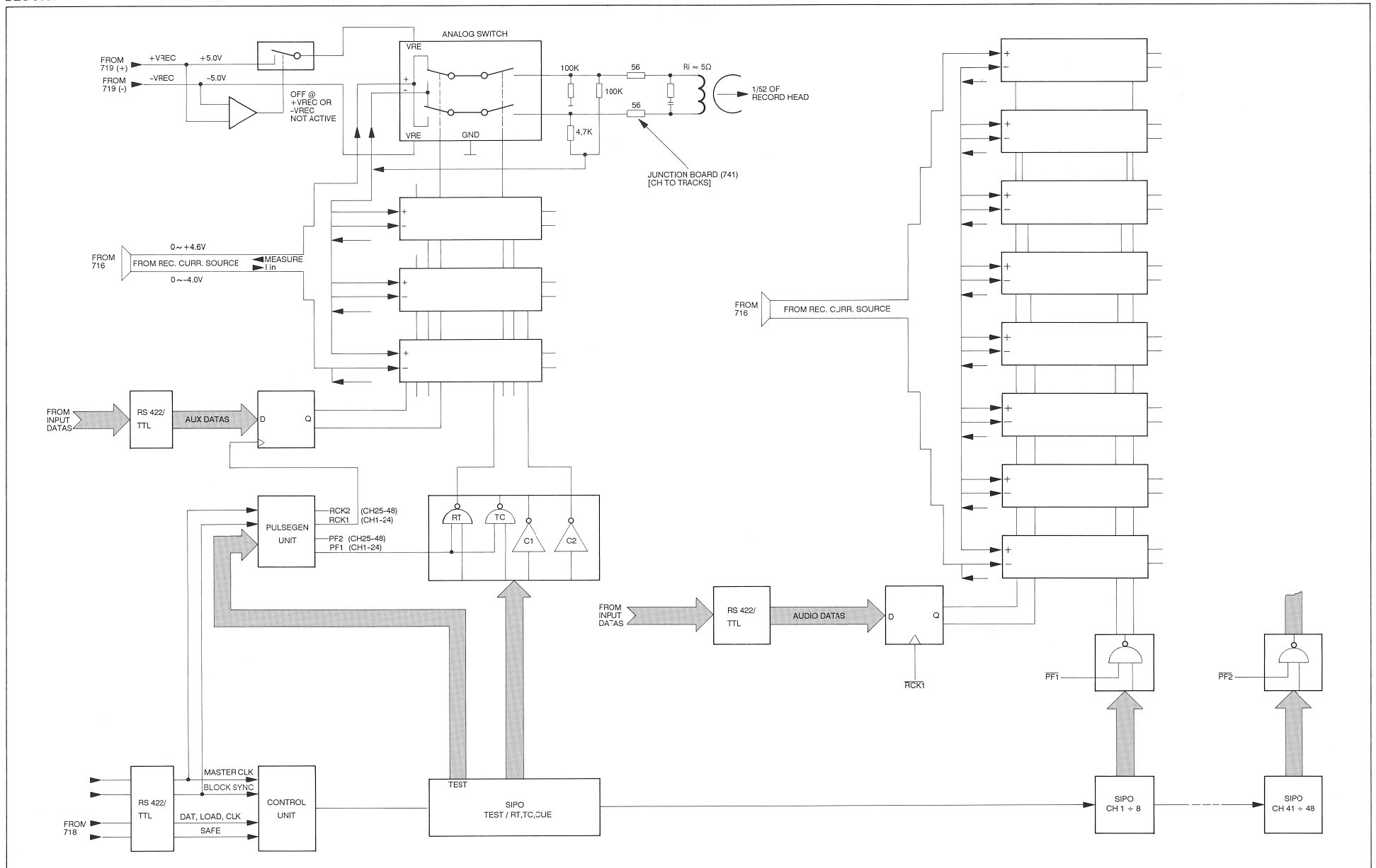
EL=Electrolytic, PETP=Polyesterfilm, SAL=Solid Aluminium.

MANUFACTURER: AMP=AMP Incorporated, Ph=Philips, St=Studer

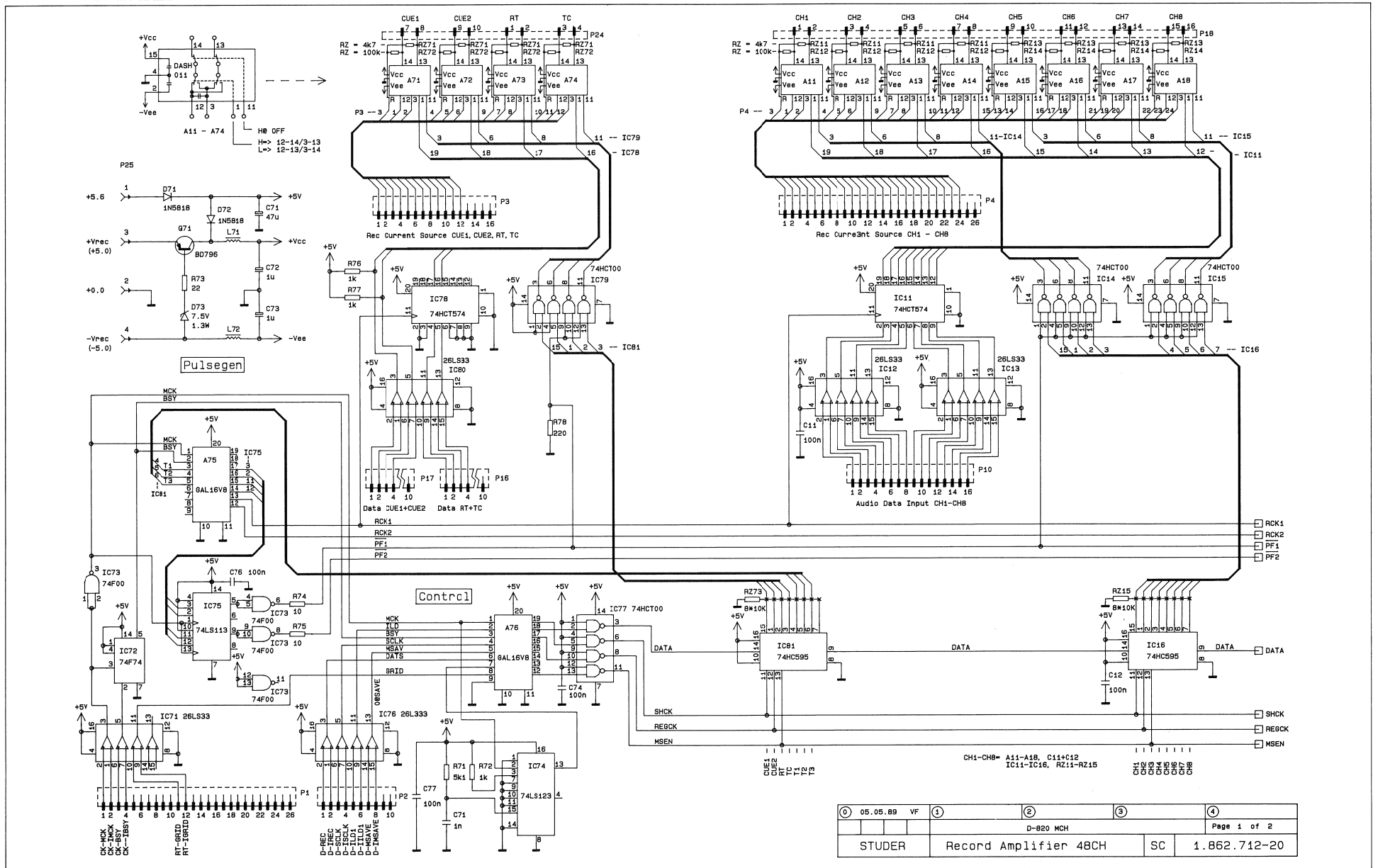
ORIG 89/05/09 (01) 89/09/14

S T U D E R (01) 89/09/14 ZB REPRO PREAMPLIFIER 48 CH PL 1.862.710.00 PAGE 9

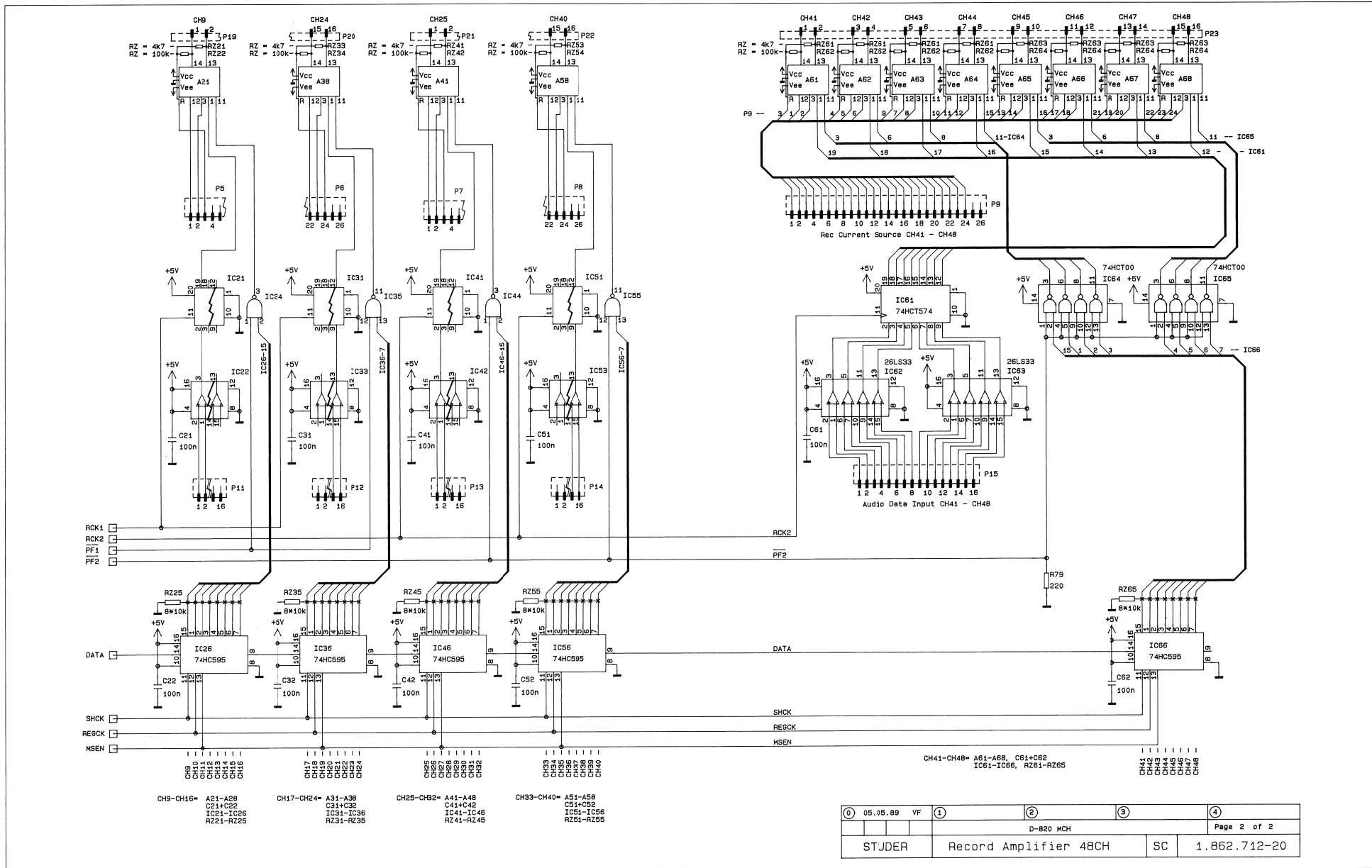
BLOCK DIAGRAM RECORD AMPLIFIER 48 CH



RECORD AMPLIFIER 48 CH 1.862.712.20



RECORD AMPLIFIER 48 CH 1.862.712.20



RECORD AMPLIFIER 48 CH 1.862.712.20

IND.	POS.NO.	PART NO.	VALUE	SPECIFICATIONS / EQUIVALENT	MANUF.
F...	15	54.14.2102	Connector	16 Contacts, Latch, Flat Cable	
F...	16	54.14.2001	Connector	16 Contacts, Flat Cable	
F...	17	54.14.2001	Connector	16 Contacts, Flat Cable	
F...	18	54.14.2002	Connector	16 Contacts, Flat Cable	
F...	19	54.14.2002	Connector	16 Contacts, Flat Cable	
F...	20	54.14.2002	Connector	16 Contacts, Flat Cable	
F...	21	54.14.2002	Connector	16 Contacts, Flat Cable	
F...	22	54.14.2002	Connector	16 Contacts, Flat Cable	
F...	23	54.14.2002	Connector	16 Contacts, Flat Cable	
F...	24	54.14.2001	Connector	16 Contacts, Flat Cable	
F...	25	54.25.0054	Connector	4 Contacts	AMP
Q...	71	50.03.0450	RD 790		Not
R...	71	57.11.2512	5.1 kOhm	1X	
R...	72	57.11.2102	1 kOhm	1X	
R...	73	57.11.2220	22 Ohm	1X	
R...	74	57.11.2100	10 Ohm	1X	
R...	75	57.11.2100	10 Ohm	1X	
R...	76	57.11.2102	1 kOhm	1X	
R...	77	57.11.2102	1 kOhm	1X	
R...	78	57.11.2221	220 Ohm	1X	
R...	79	57.11.2221	220 Ohm	1X	
R2...	11	57.88.2472	444.7 kOhm	2X S1P 8	
R2...	12	57.88.2104	44100 kOhm	2X S1P 8	
R2...	13	57.88.2472	444.7 kOhm	2X S1P 8	
R2...	14	57.88.2104	44100 kOhm	2X S1P 8	
R2...	15	57.88.4103	8a 10 kOhm	2X S1P 9	
R2...	21	57.88.2472	444.7 kOhm	2X S1P 8	
R2...	22	57.88.2104	44100 kOhm	2X S1P 8	
R2...	23	57.88.2472	444.7 kOhm	2X S1P 8	
R2...	24	57.88.2104	44100 kOhm	2X S1P 8	
R2...	25	57.88.4103	8a 10 kOhm	2X S1P 9	
R2...	31	57.88.2472	444.7 kOhm	2X S1P 8	
R2...	32	57.88.2104	44100 kOhm	2X S1P 8	
R2...	33	57.88.2472	444.7 kOhm	2X S1P 8	

STUDER (02) 90/02/15 IVA RECORD AMPLIFIER 48 CH PL 1.862.712.20 PAGE 5

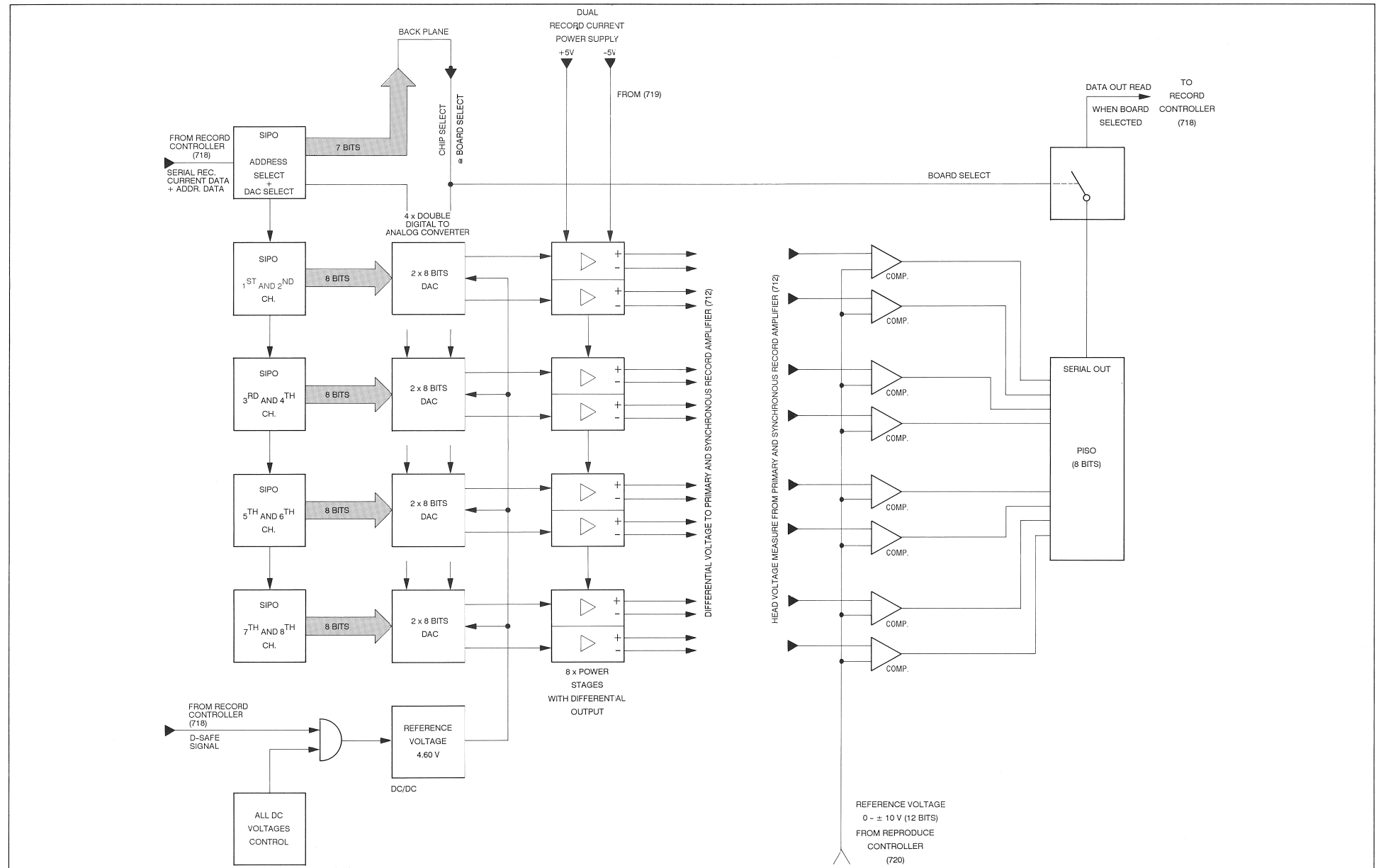
IND.	POS.NO.	PART NO.	VALUE	SPECIFICATIONS / EQUIVALENT	MANUF.
R2...	34	57.88.2104	44100 kOhm	2X S1P 8	
R2...	35	57.88.4103	8a 10 kOhm	2X S1P 9	
R2...	41	57.88.2472	444.7 kOhm	2X S1P 8	
R2...	42	57.88.2104	44100 kOhm	2X S1P 8	
R2...	43	57.88.2472	444.7 kOhm	2X S1P 8	
R2...	44	57.88.2104	44100 kOhm	2X S1P 8	
R2...	45	57.88.4103	8a 10 kOhm	2X S1P 9	
R2...	51	57.88.2472	444.7 kOhm	2X S1P 8	
R2...	52	57.88.2104	44100 kOhm	2X S1P 8	
R2...	53	57.88.2472	444.7 kOhm	2X S1P 8	
R2...	54	57.88.2104	44100 kOhm	2X S1P 8	
R2...	55	57.88.4103	8a 10 kOhm	2X S1P 9	
R2...	61	57.88.2472	444.7 kOhm	2X S1P 8	
R2...	62	57.88.2104	44100 kOhm	2X S1P 8	
R2...	63	57.88.2472	444.7 kOhm	2X S1P 8	
R2...	64	57.88.2104	44100 kOhm	2X S1P 8	
R2...	65	57.88.4103	8a 10 kOhm	2X S1P 9	
R2...	71	57.88.2472	444.7 kOhm	2X S1P 8	
R2...	72	57.88.2104	44100 kOhm	2X S1P 8	
R2...	73	57.88.4103	8a 10 kOhm	2X S1P 9	
TF...	1	54.02.0200	FLACH	1.840-N, GERADI	
TF...	2	54.02.0200	FLACH	1.840-N, GERADI	
TF...	3	54.02.0200	FLACH	1.840-N, GERADI	
TF...	4	54.02.0200	FLACH	1.840-N, GERADI	

STUDER (02) 90/02/15 IVA RECORD AMPLIFIER 48 CH PL 1.862.712.20 PAGE 6

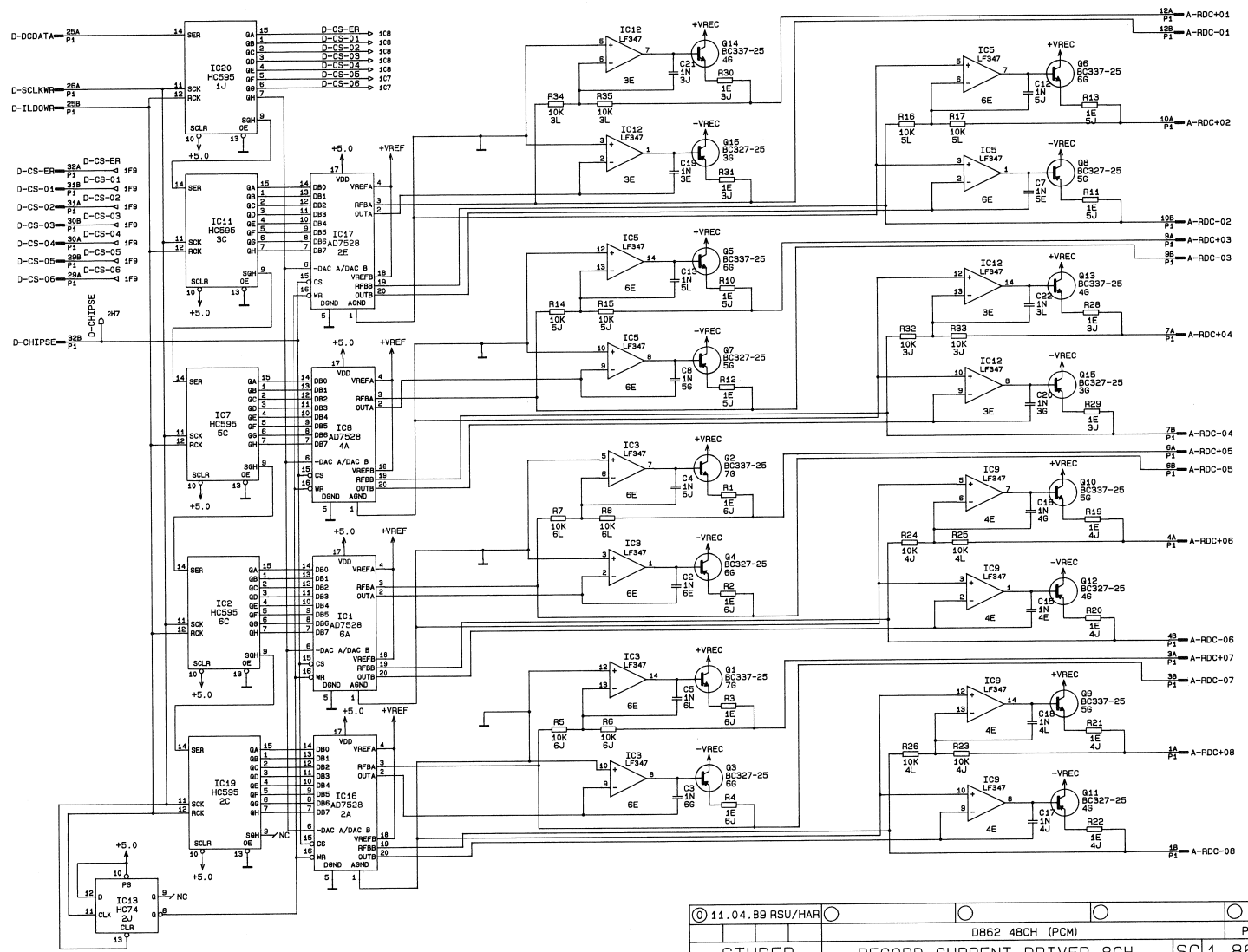
IND.	POS.NO.	PART NO.	VALUE	SPECIFICATIONS / EQUIVALENT	MANUF.
(01) 22.09.89 No substitution of +Vcc by +5V.					
(02) 15.02.90 Correction of mistake C76 and C77.					
Note 1 - Record current switches 1.862.740-xx are not included in part-list 1.862.712-00					
E1=Electrolytic, PETP=Polyesterfilm					
MANUFACTURER: AMD=Advanced Micro Devices; Fo=Fairchild; ITT=Intersatell; Mo=Motorola; Ro=Resistor; S=Semiconductor; So=Philips; SCA=Radio Corporation of America; SGS=SGS/Atel; S=Supertec; St=Studer; Tho=Thomson; T=Telefunken; TI=Texas Instruments.					

ORIS 89/05/05 (01) 89/09/22 (02) 90/02/15
STUDER (02) 90/02/15 IVA RECORD AMPLIFIER 48 CH PL 1.862.712.20 PAGE 7

BLOCK DIAGRAM RECORD CURRENT DRIVER 8CH

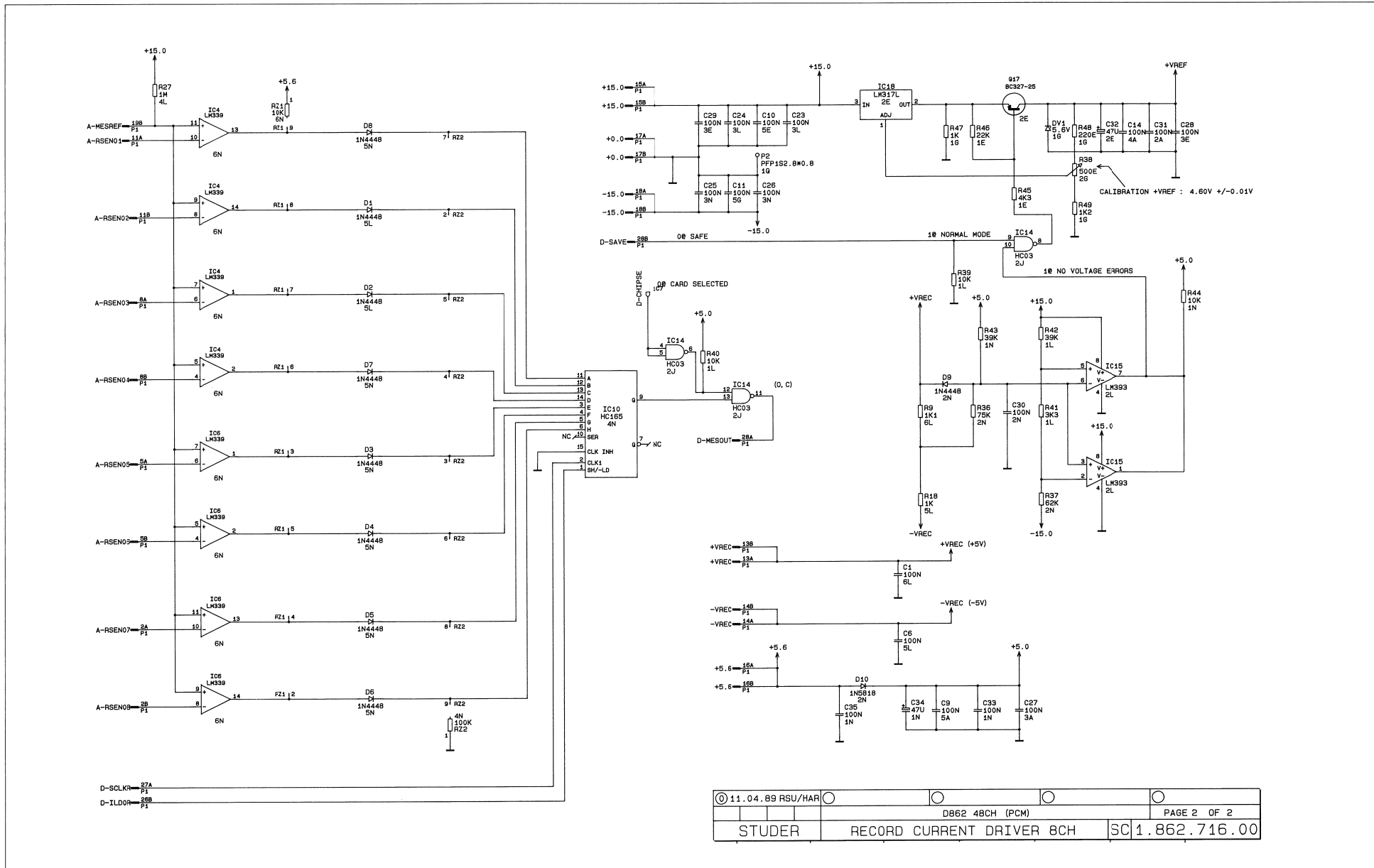


RECORD CURRENT DRIVER 8CH 1.862.716.00



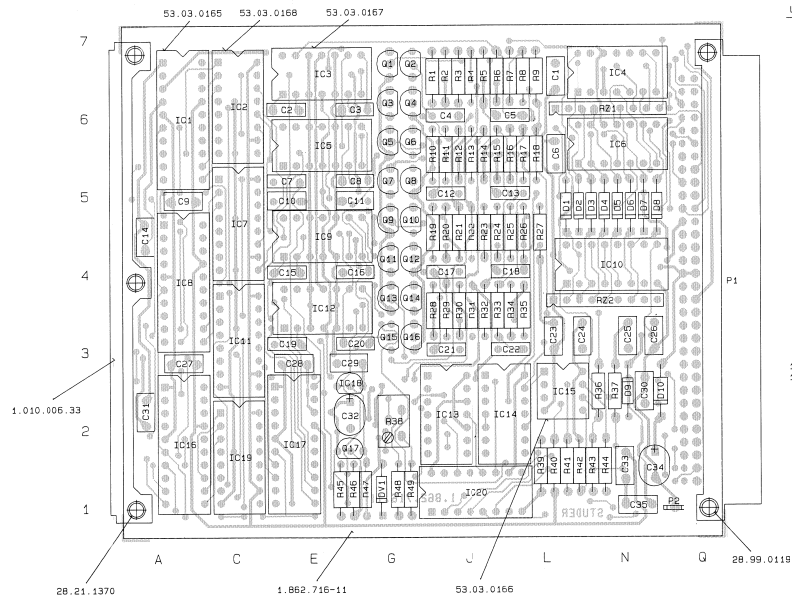
① 11.04.89 RSU/HAR			
STUDER		DB62 48CH (PCM)	PAGE 1 OF 2
RECORD CURRENT DRIVER 8CH		SC 1.862.716.00	

RECORD CURRENT DRIVER 8CH 1.862.716.00



STUDER D820 MCH

RECORD CURRENT DRIVER 8CH 1.862.716.00



LOETSTELLENHOEHE 1.5 ± 2.5MM

IND.	POS.NO.	PART NO.	VALUE	SPECIFICATIONS / EQUIVALENT	MANUF.
G.....2		50.43.0340	RC 337-25		ITT-NS-PH-SIA
G.....3		50.43.0351	RC 327-25		ITT-Ph-SIA
G.....4		50.43.0351	RC 327-25		ITT-Ph-SIA
G.....5		50.43.0340	RC 337-25		ITT-NS-PH-SIA
G.....6		50.43.0340	RC 337-25		ITT-NS-PH-SIA
G.....7		50.43.0351	RC 327-25		ITT-Ph-SIA
G.....8		50.43.0351	RC 327-25		ITT-NS-PH-SIA
G.....9		50.43.0340	RC 337-25		ITT-NS-PH-SIA
G.....10		50.43.0340	RC 337-25		ITT-NS-PH-SIA
G.....11		50.43.0351	RC 327-25		ITT-Ph-SIA
G.....12		50.43.0351	RC 327-25		ITT-NS-PH-SIA
G.....13		50.43.0340	RC 337-25		ITT-NS-PH-SIA
G.....14		50.43.0340	RC 337-25		ITT-NS-PH-SIA
G.....15		50.43.0351	RC 327-25		ITT-Ph-SIA
G.....16		50.43.0351	RC 327-25		ITT-Ph-SIA
G.....17		50.43.0351	RC 327-25		ITT-Ph-SIA

R.....1		57.11.3109	1 Ohm	5K	
R.....2		57.11.3109	1 Ohm	2K	
R.....3		57.11.3109	1 Ohm	2K	
R.....4		57.11.3109	1 Ohm	2K	
R.....5		57.11.3103	10 kOhm	2K	
R.....6		57.11.3103	10 kOhm	2K	
R.....7		57.11.3103	10 kOhm	2K	
R.....8		57.11.3103	10 kOhm	2K	
R.....9		57.11.3112	1.1 kOhm	2K	
R.....10		57.11.3109	1 Ohm	5K	
R.....11		57.11.3109	1 Ohm	5K	
R.....12		57.11.3109	1 Ohm	5K	
R.....13		57.11.3103	10 kOhm	2K	
R.....14		57.11.3103	10 kOhm	2K	
R.....15		57.11.3103	10 kOhm	2K	
R.....16		57.11.3103	10 kOhm	2K	
R.....17		57.11.3103	10 kOhm	2K	
R.....18		57.11.3102	1 kOhm	2K	
R.....19		57.11.3109	1 Ohm	5K	
R.....20		57.11.3109	1 Ohm	5K	

S T U D E R (00) 09/04/11 LP RECORD CURRENT DRIVER PL 1.862.716.00 PAGE 3

IND.	POS.NO.	PART NO.	VALUE	SPECIFICATIONS / EQUIVALENT	MANUF.
R.....21		57.11.3109	1 Ohm	5K	
R.....22		57.11.3109	1 Ohm	5K	
R.....23		57.11.3103	10 kOhm	2K	
R.....24		57.11.3103	10 kOhm	2K	
R.....25		57.11.3103	10 kOhm	2K	
R.....26		57.11.3103	10 kOhm	2K	
R.....27		57.11.3105	1 kOhm	2K	
R.....28		57.11.3109	1 Ohm	5K	
R.....29		57.11.3109	1 Ohm	5K	
R.....30		57.11.3109	1 Ohm	5K	
R.....31		57.11.3109	1 Ohm	5K	
R.....32		57.11.3103	10 kOhm	2K	
R.....33		57.11.3103	10 kOhm	2K	
R.....34		57.11.3103	10 kOhm	2K	
R.....35		57.11.3103	10 kOhm	2K	
R.....36		57.11.3103	10 kOhm	2K	
R.....37		57.11.3103	10 kOhm	2K	
R.....38		57.11.3103	10 kOhm	2K	
R.....39		57.11.3103	10 kOhm	2K	
R.....40		57.11.3103	10 kOhm	2K	
R.....41		57.11.3103	10 kOhm	2K	
R.....42		57.11.3103	10 kOhm	2K	
R.....43		57.11.3103	10 kOhm	2K	
R.....44		57.11.3103	10 kOhm	2K	
R.....45		57.11.3103	10 kOhm	2K	
R.....46		57.11.3103	10 kOhm	2K	
R.....47		57.11.3102	1 kOhm	2K	
R.....48		57.11.3102	1 kOhm	2K	
R.....49		57.11.3102	1 kOhm	2K	

S T U D E R (00) 09/04/11 LP RECORD CURRENT DRIVER PL 1.862.716.00 PAGE 4

IND.	POS.NO.	PART NO.	VALUE	SPECIFICATIONS / EQUIVALENT	MANUF.
C.....1		59.06.0104	100 nF	10K, 63V, PETP	
C.....2		59.06.0102	1 nF	10K, 63V, PETP	
C.....3		59.06.0102	1 nF	10K, 63V, PETP	
C.....4		59.06.0102	1 nF	10K, 63V, PETP	
C.....5		59.06.0102	1 nF	10K, 63V, PETP	
C.....6		59.06.0104	100 nF	10K, 63V, PETP	
C.....7		59.06.0102	1 nF	10K, 63V, PETP	
C.....8		59.06.0102	1 nF	10K, 63V, PETP	
C.....9		59.06.0104	100 nF	10K, 63V, PETP	
C.....10		59.06.0104	100 nF	10K, 63V, PETP	
C.....11		59.06.0104	100 nF	10K, 63V, PETP	
C.....12		59.06.0102	1 nF	10K, 63V, PETP	
C.....13		59.06.0102	1 nF	10K, 63V, PETP	
C.....14		59.06.0104	100 nF	10K, 63V, PETP	
C.....15		59.06.0102	1 nF	10K, 63V, PETP	
C.....16		59.06.0102	1 nF	10K, 63V, PETP	
C.....17		59.06.0102	1 nF	10K, 63V, PETP	
C.....18		59.06.0102	1 nF	10K, 63V, PETP	
C.....19		59.06.0102	1 nF	10K, 63V, PETP	
C.....20		59.06.0102	1 nF	10K, 63V, PETP	
C.....21		59.06.0102	1 nF	10K, 63V, PETP	
C.....22		59.06.0102	1 nF	10K, 63V, PETP	
C.....23		59.06.0104	100 nF	10K, 63V, PETP	
C.....24		Not used			
C.....25		59.06.0104	100 nF	10K, 63V, PETP	
C.....26		Not used			
C.....27		59.06.0104	100 nF	10K, 63V, PETP	
C.....28		59.06.0104	100 nF	10K, 63V, PETP	
C.....29		59.06.0104	100 nF	10K, 63V, PETP	
C.....30		59.06.0104	100 nF	10K, 63V, PETP	
C.....31		59.06.0104	100 nF	10K, 63V, PETP	
C.....32		59.06.0104	100 nF	10K, 63V, PETP	
C.....33		59.06.0104	100 nF	10K, 63V, PETP	
C.....34		59.28.0470	47 nF	200V, 6.3V, DML	
C.....35		59.06.0104	100 nF	10K, 63V, PETP	

S T U D E R (00) 09/04/11 LP RECORD CURRENT DRIVER PL 1.862.716.00 PAGE 1

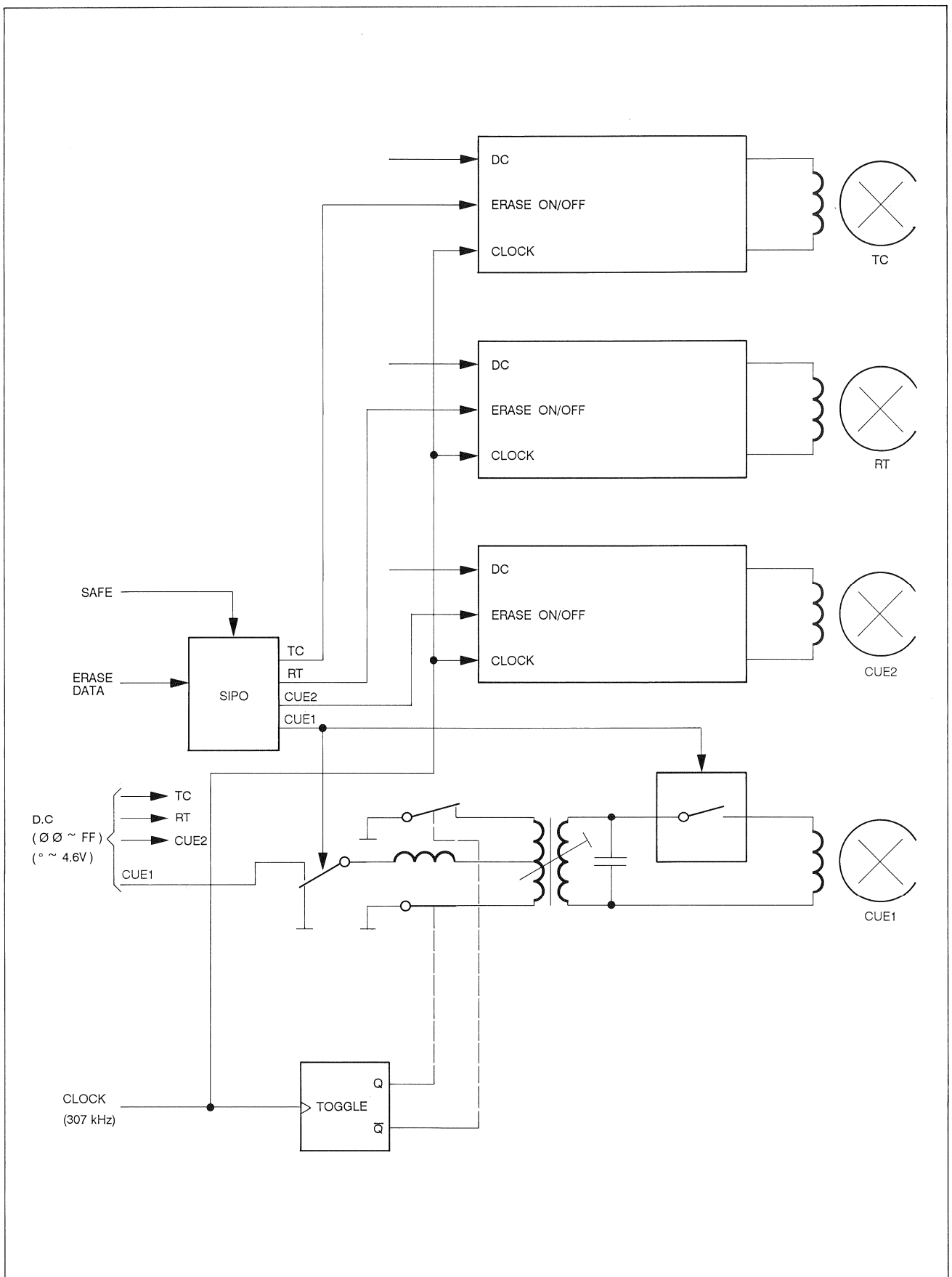
IND.	POS.NO.	PART NO.	VALUE	SPECIFICATIONS / EQUIVALENT	MANUF.
D.....2		50.04.0125	1R 4448		For:ITT-Ph-Saw-TF
D.....3		50.04.0125	1R 4448		For:ITT-Ph-Saw-TF
D.....4		50.04.0125	1R 4448		For:ITT-Ph-Saw-TF
D.....5		50.04.0125	1R 4448		For:ITT-Ph-Saw-TF
D.....6		50.04.0125	1R 4448		For:ITT-Ph-Saw-TF
D.....7		50.04.0125	1R 4448		For:ITT-Ph-Saw-TF
D.....8		50.04.0125	1R 4448		For:ITT-Ph-Saw-TF
D.....9		50.04.0125	1R 4448		For:ITT-Ph-Saw-TF
D.....10		50.04.0125	1R 5018		Met
DV.....1		50.04.1504	2.5kV		ITT-Not-Ph-TF-Th
IC.....1		50.07.0026	AD 7528	NP 7528	ADI-MPS
IC.....2		50.17.1995	74 IC 995		NS-S85-TI
IC.....3		50.09.0104	LF 347 N		NS-Th
IC.....4		50.11.0184	LM 339		For:Mot-NS-Th
IC.....5		50.09.0104	LF 347 N		NS-S85-TI
IC.....6		50.11.0184	LM 339		For:Mot-NS-Th
IC.....7		50.17.1995	74 IC 995		NS-S85-TI
IC.....8		50.07.0026	AD 7528	NP 7528	ADI-MPS
IC.....9		50.09.0104	LF 347 N		NS-S85-TI
IC.....10		50.17.1165	74 IC 185		NS-Ph-BCA-TI
IC.....11		50.17.1995	74 IC 995		NS-S85-TI
IC.....12		50.09.0104	LF 347 N		NS-Th
IC.....13		50.17.1974	74 IC 995		Met-NS-Ph-BCA-S85-TI-Th
IC.....14		50.17.1003	74 IC 03		Met-NS-TI
IC.....15		50.05.0083	LM 393 N	LM 393 N, LM 393 DP	TI-NS-Th
IC.....16		50.07.0026	AD 7528	NP 7528	ADI-MPS
IC.....17		50.07.0026	AD 7528	NP 7528	ADI-MPS
IC.....18		50.10.0108	LM 317 LZ		Met-NS
IC.....19		50.17.1995	74 IC 995		NS-S85-TI
IC.....20		50.17.1995	74 IC 995		NS-S85-TI

S T U D E R (00) 09/04/11 LP RECORD CURRENT DRIVER PL 1.862.716.00 PAGE 2

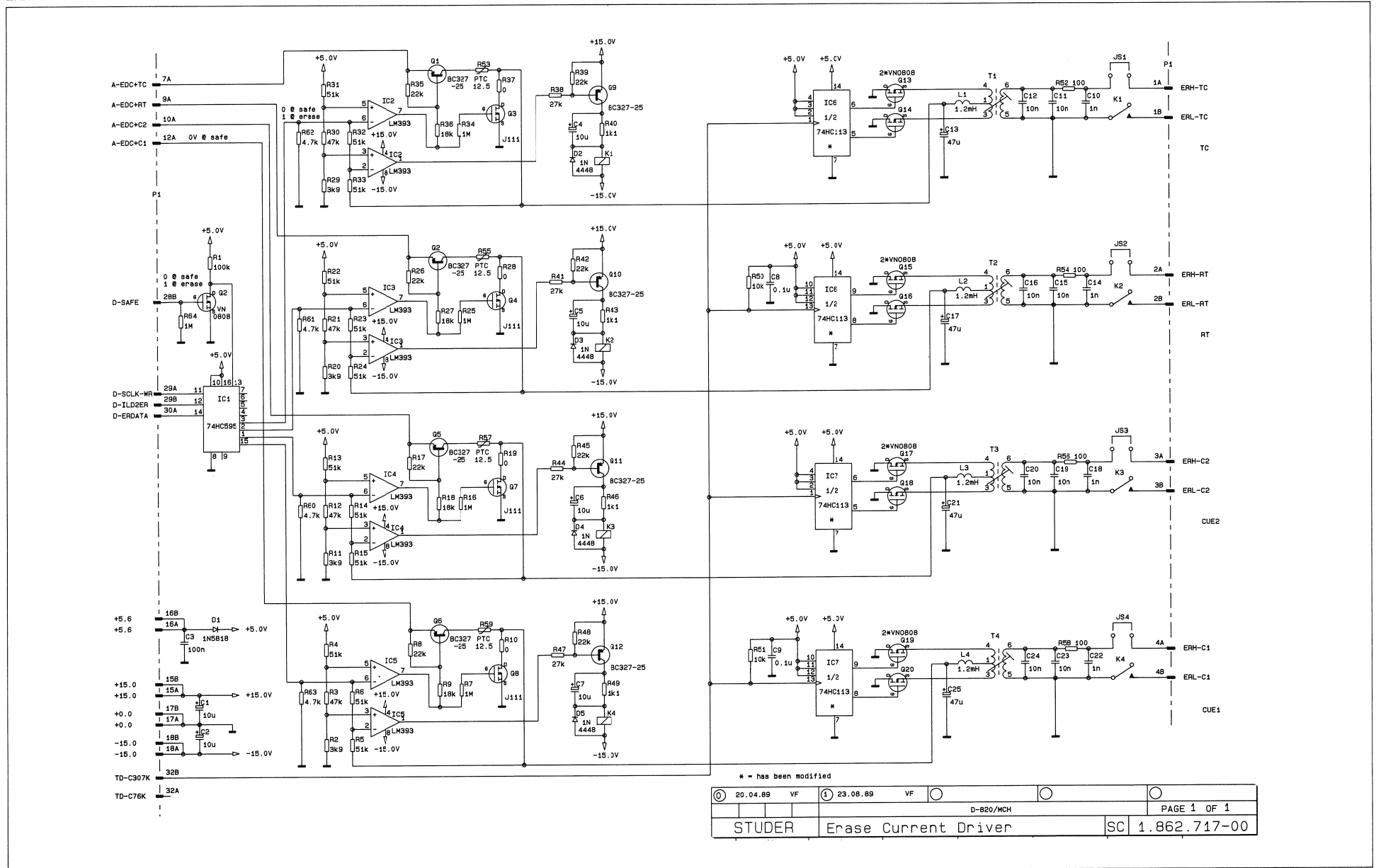
IND.	POS.NO.	PART NO.	VALUE	SPECIFICATIONS / EQUIVALENT	MANUF.
Note 1				Network B * 100 kOhm, 3%, single line	
				Allen Bradley nr. 709 A 104 or 909 A 104	
				Beckmann nr. 4600 X - 101 - 100 K	
				Beume nr. 4600 X - 101 - 104	
				Dale nr. CSC 09 A 01 - 104 G	
				Speigle nr. 236 C 104 X2 2P	
				Tana nr. 865 C 09 X 10 kOhm G	
				Vitrona nr. 795 100 kOhm 2K	
				or 800 100 kOhm 2K	
Note 2				Network B * 10 kOhm, 5%, single line	
				Allen Bradley nr. 909 A 103	
				Beckmann nr. CSC 09 A 01 - R 10 K	
				Beume nr. 4600 X - 101 - 103	
				Dale nr. CSC 09 A 01 - 104 G	
				Speigle nr. 236 C 103 X2 2P	
				Tana nr. 865 C 09 X 10 kOhm G	
				Vitrona nr. 795 10 kOhm 2K	
				or 800 10 kOhm 2K	
				Sol=Solid aluminum	
				PETP=Polyester film	
MANUFACTURER:				ADI=Analogic Devices Inc./For:Feichid:ITT=Intermetall;	
				NS=Micro Power Systems-Met=Metecol=Medial=Metec.	
				Ph=Philips/BCA=BCA Corporation of America/Ses=Secoson;	
				S85=S85/Answ. St=Stewer=TE=Tel=Telex=Th=Thomson CSP.	
				Ti=Texas Instruments, Tu=Tohiba.	

S T U D E R (00) 09/04/11 LP RECORD CURRENT DRIVER PL 1.862.716.00 PAGE 5

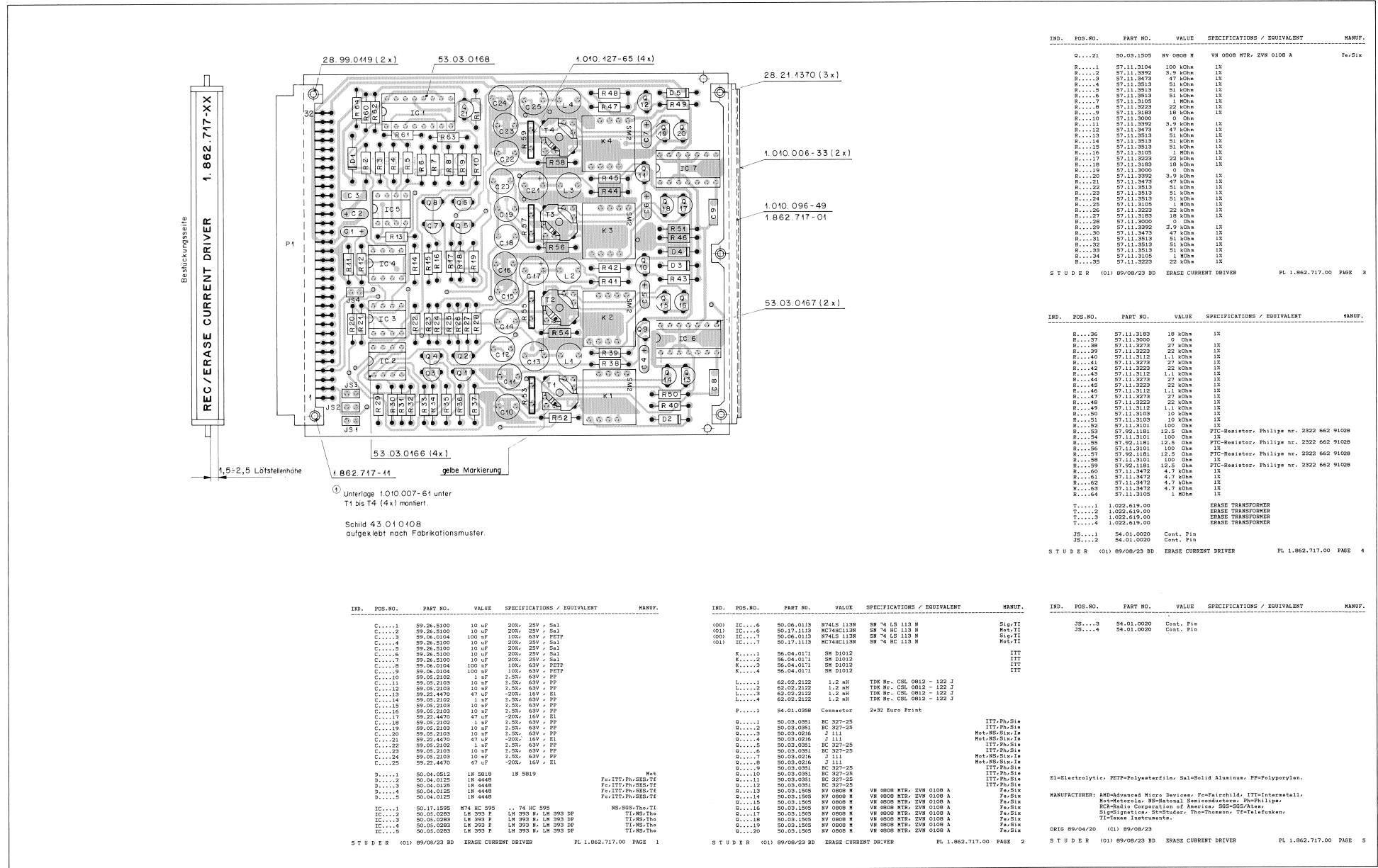
BLOCK DIAGRAM ERASE CURRENT DRIVER



ERASE CURRENT DRIVER 1.862.717.00

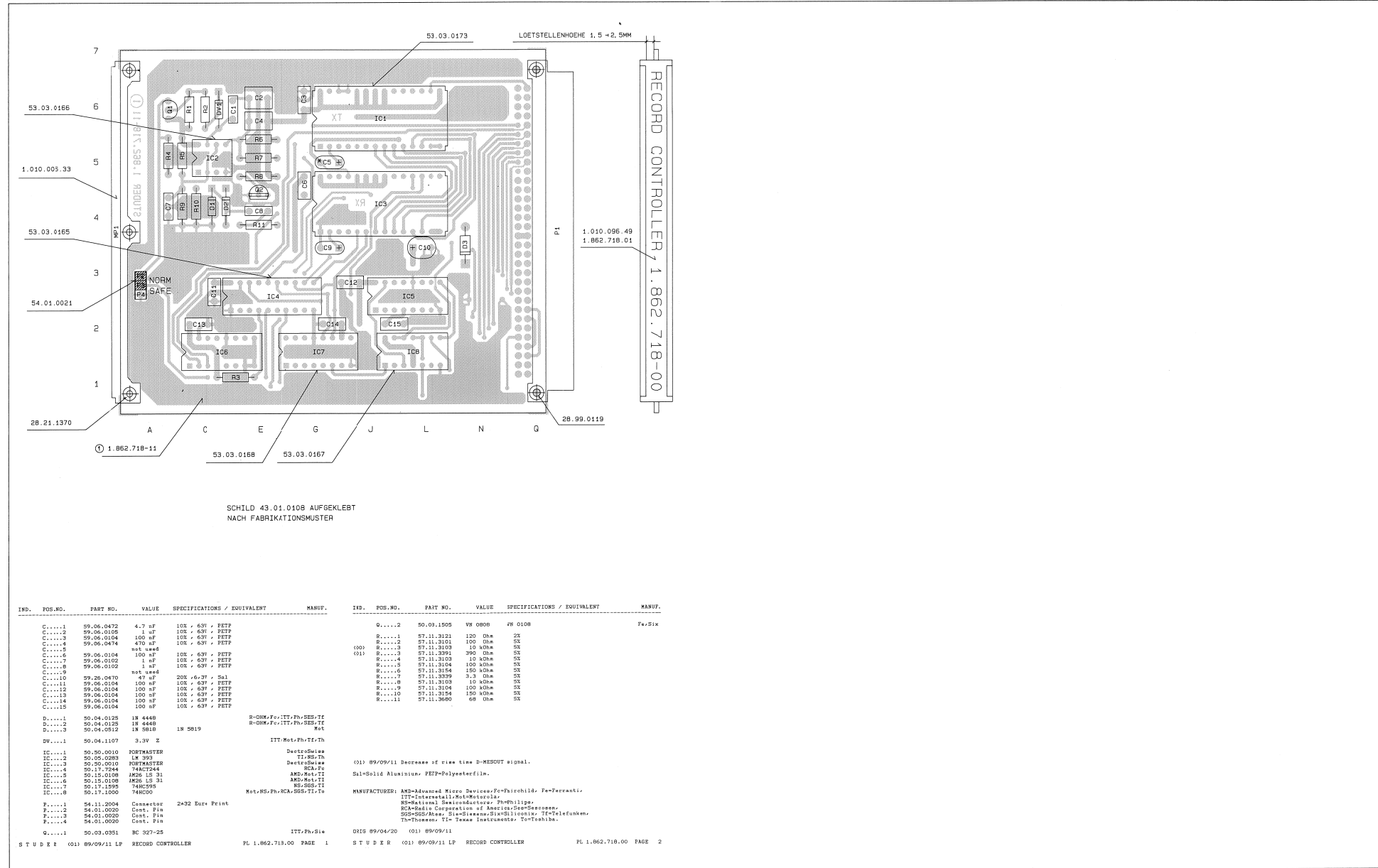


ERASE CURRENT DRIVER 1.862.717.00

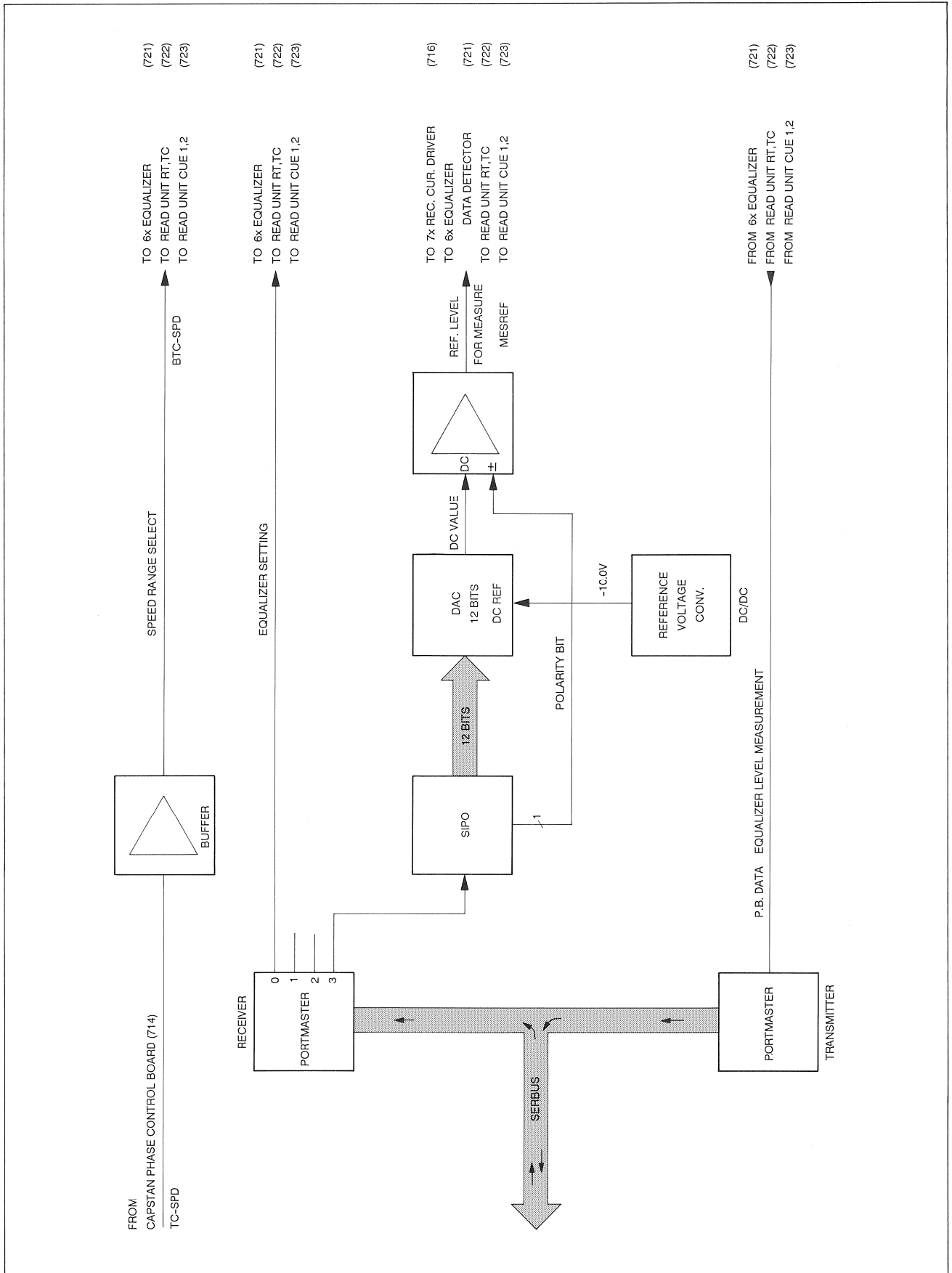


IND.	POS.NO.	PART NO.	VALUE	SPECIFICATIONS / EQUIVALENT	MANUF.
Q...	21	50.03.1505	NV 0808 M	VN 0808 MTR, ZVN 0108 A	Fa/Six
R...	1	57.11.3104	100 kOhm	1X	
R...	2	57.11.3392	3,9 kOhm	1X	
R...	3	57.11.3473	47 kOhm	1X	
R...	4	57.11.3513	51 kOhm	1X	
R...	5	57.11.3513	51 kOhm	1X	
R...	6	57.11.3105	1 Mohm	1X	
R...	7	57.11.3105	1 Mohm	1X	
R...	8	57.11.3223	22 kOhm	1X	
R...	9	57.11.3183	18 kOhm	1X	
R...	10	57.11.3000	0 Ohm	1X	
R...	11	57.11.3392	3,9 kOhm	1X	
R...	12	57.11.3473	47 kOhm	1X	
R...	13	57.11.3513	51 kOhm	1X	
R...	14	57.11.3513	51 kOhm	1X	
R...	15	57.11.3513	51 kOhm	1X	
R...	16	57.11.3105	1 Mohm	1X	
R...	17	57.11.3223	22 kOhm	1X	
R...	18	57.11.3183	18 kOhm	1X	
R...	19	57.11.3000	0 Ohm	1X	
R...	20	57.11.3392	3,9 kOhm	1X	
R...	21	57.11.3473	47 kOhm	1X	
R...	22	57.11.3513	51 kOhm	1X	
R...	23	57.11.3513	51 kOhm	1X	
R...	24	57.11.3105	1 Mohm	1X	
R...	25	57.11.3105	1 Mohm	1X	
R...	26	57.11.3223	22 kOhm	1X	
R...	27	57.11.3183	18 kOhm	1X	
R...	28	57.11.3000	0 Ohm	1X	
R...	29	57.11.3392	3,9 kOhm	1X	
R...	30	57.11.3473	47 kOhm	1X	
R...	31	57.11.3513	51 kOhm	1X	
R...	32	57.11.3513	51 kOhm	1X	
R...	33	57.11.3513	51 kOhm	1X	
R...	34	57.11.3105	1 Mohm	1X	
R...	35	57.11.3223	22 kOhm	1X	
S T U D E R (01) 89/08/23 BD ERASE CURRENT DRIVER PL 1.862.717.00 PAGE 3					
IND.	POS.NO.	PART NO.	VALUE	SPECIFICATIONS / EQUIVALENT	MANUF.
R...	36	57.11.3183	18 kOhm	1X	
R...	37	57.11.3000	0 Ohm	1X	
R...	38	57.11.3273	22 kOhm	1X	
R...	39	57.11.3273	22 kOhm	1X	
R...	40	57.11.3112	1,1 kOhm	1X	
R...	41	57.11.3273	22 kOhm	1X	
R...	42	57.11.3223	22 kOhm	1X	
R...	43	57.11.3112	1,1 kOhm	1X	
R...	44	57.11.3273	22 kOhm	1X	
R...	45	57.11.3273	22 kOhm	1X	
R...	46	57.11.3112	1,1 kOhm	1X	
R...	47	57.11.3273	22 kOhm	1X	
R...	48	57.11.3223	22 kOhm	1X	
R...	49	57.11.3112	1,1 kOhm	1X	
R...	50	57.11.3108	10 kOhm	1X	
R...	51	57.11.3108	10 kOhm	1X	
R...	52	57.11.3101	100 Ohm	1X	
R...	53	57.92.1181	15,5 Ohm	ITC-Resistor, Phillip nr. 2322 662 91028	
R...	54	57.11.3101	100 Ohm	1X	
R...	55	57.92.1181	15,5 Ohm	ITC-Resistor, Phillip nr. 2322 662 91028	
R...	56	57.11.3101	100 Ohm	1X	
R...	57	57.92.1181	15,5 Ohm	ITC-Resistor, Phillip nr. 2322 662 91028	
R...	58	57.11.3101	100 Ohm	1X	
R...	59	57.92.1181	15,5 Ohm	ITC-Resistor, Phillip nr. 2322 662 91028	
R...	60	57.11.3472	4,7 kOhm	1X	
R...	61	57.11.3472	4,7 kOhm	1X	
R...	62	57.11.3472	4,7 kOhm	1X	
R...	63	57.11.3472	4,7 kOhm	1X	
R...	64	57.11.3105	1 Mohm	1X	
T...	1	1.022.619.00		ERASE TRANSFORMER	
T...	2	1.022.619.00		ERASE TRANSFORMER	
T...	3	1.022.619.00		ERASE TRANSFORMER	
T...	4	1.022.619.00		ERASE TRANSFORMER	
JS...	1	54.01.0020	Cont. Pin		
JS...	2	54.01.0020	Cont. Pin		
S T U D E R (01) 89/08/23 BD ERASE CURRENT DRIVER PL 1.862.717.00 PAGE 4					
IND.	POS.NO.	PART NO.	VALUE	SPECIFICATIONS / EQUIVALENT	MANUF.
IC...	1	50.06.0119	N7416 113N	SN 74 LS 113 N	Sig/TT
IC...	6	50.17.1113	MC74HC113N	SN 74 HC 113 N	Me/TT
IC...	7	50.06.0119	N7416 113N	SN 74 LS 113 N	Sig/TT
IC...	7	50.17.1113	MC74HC113N	SN 74 HC 113 N	Me/TT
K...	1	56.04.0171	SM D1012		ITT
K...	2	56.04.0171	SM D1012		ITT
K...	3	56.04.0171	SM D1012		ITT
K...	4	56.04.0171	SM D1012		ITT
L...	1	62.02.2122	1,2 nH	TDK Nr. CSL 0812 - 122 J	
L...	2	62.02.2122	1,2 nH	TDK Nr. CSL 0812 - 122 J	
L...	3	62.02.2122	1,2 nH	TDK Nr. CSL 0812 - 122 J	
L...	4	62.02.2122	1,2 nH	TDK Nr. CSL 0812 - 122 J	
F...	1	54.01.0358	Connector	2432 Xuro Print	
Q...	1	50.03.0351	BC 327-25		ITT/Ph/Sie
Q...	2	50.03.0351	BC 327-25		ITT/Ph/Sie
Q...	3	50.03.0216	J 111		Met/NS/Sie/Le
Q...	4	50.03.0216	J 111		Met/NS/Sie/Le
Q...	5	50.03.0351	BC 327-25		ITT/Ph/Sie
Q...	6	50.03.0351	BC 327-25		ITT/Ph/Sie
Q...	7	50.03.0216	J 111		Met/NS/Sie/Le
Q...	8	50.03.0216	J 111		Met/NS/Sie/Le
Q...	9	50.03.0351	BC 327-25		ITT/Ph/Sie
Q...	10	50.03.0351	BC 327-25		ITT/Ph/Sie
Q...	11	50.03.0351	BC 327-25		ITT/Ph/Sie
Q...	12	50.03.0351	BC 327-25		ITT/Ph/Sie
Q...	13	50.03.1505	NV 0808 M	VN 0808 MTR, ZVN 0108 A	Fa/Six
Q...	14	50.03.1505	NV 0808 M	VN 0808 MTR, ZVN 0108 A	Fa/Six
Q...	15	50.03.0216	J 111		Fa/Six
Q...	16	50.03.1505	NV 0808 M	VN 0808 MTR, ZVN 0108 A	Fa/Six
Q...	17	50.03.1505	NV 0808 M	VN 0808 MTR, ZVN 0108 A	Fa/Six
Q...	18	50.03.1505	NV 0808 M	VN 0808 MTR, ZVN 0108 A	Fa/Six
Q...	19	50.03.1505	NV 0808 M	VN 0808 MTR, ZVN 0108 A	Fa/Six
Q...	20	50.03.1505	NV 0808 M	VN 0808 MTR, ZVN 0108 A	Fa/Six
S T U D E R (01) 89/08/23 BD ERASE CURRENT DRIVER PL 1.862.717.00 PAGE 2					
IND.	POS.NO.	PART NO.	VALUE	SPECIFICATIONS / EQUIVALENT	MANUF.
D...	1	50.04.0512	18 5819	18 5819	Me
D...	2	50.04.0125	18 4449	18 4449	Fa/ITT/Ph/SES/TF
D...	3	50.04.0125	18 4449	18 4449	Fa/ITT/Ph/SES/TF
D...	4	50.04.0125	18 4449	18 4449	Fa/ITT/Ph/SES/TF
D...	5	50.04.0125	18 4449	18 4449	Fa/ITT/Ph/SES/TF
IC...	1	50.17.1595	N74 MC 595	.. 74 MC 595	NS-SES/Tha/TT
IC...	2	50.03.0283	LM 393 F	LM 393 R, LM 393 DP	TI,RS,Tha
IC...	3	50.03.0283	LM 393 F	LM 393 R, LM 393 DP	TI,RS,Tha
IC...	4	50.03.0283	LM 393 F	LM 393 R, LM 393 DP	TI,RS,Tha
IC...	5	50.03.0283	LM 393 F	LM 393 R, LM 393 DP	TI,RS,Tha
S T U D E R (01) 89/08/23 BD ERASE CURRENT DRIVER PL 1.862.717.00 PAGE 1					
S T U D E R (01) 89/08/23 BD ERASE CURRENT DRIVER PL 1.862.717.00 PAGE 2					
S T U D E R (01) 89/08/23 BD ERASE CURRENT DRIVER PL 1.862.717.00 PAGE 5					

RECORD CONTROLLER 1.862.718.00

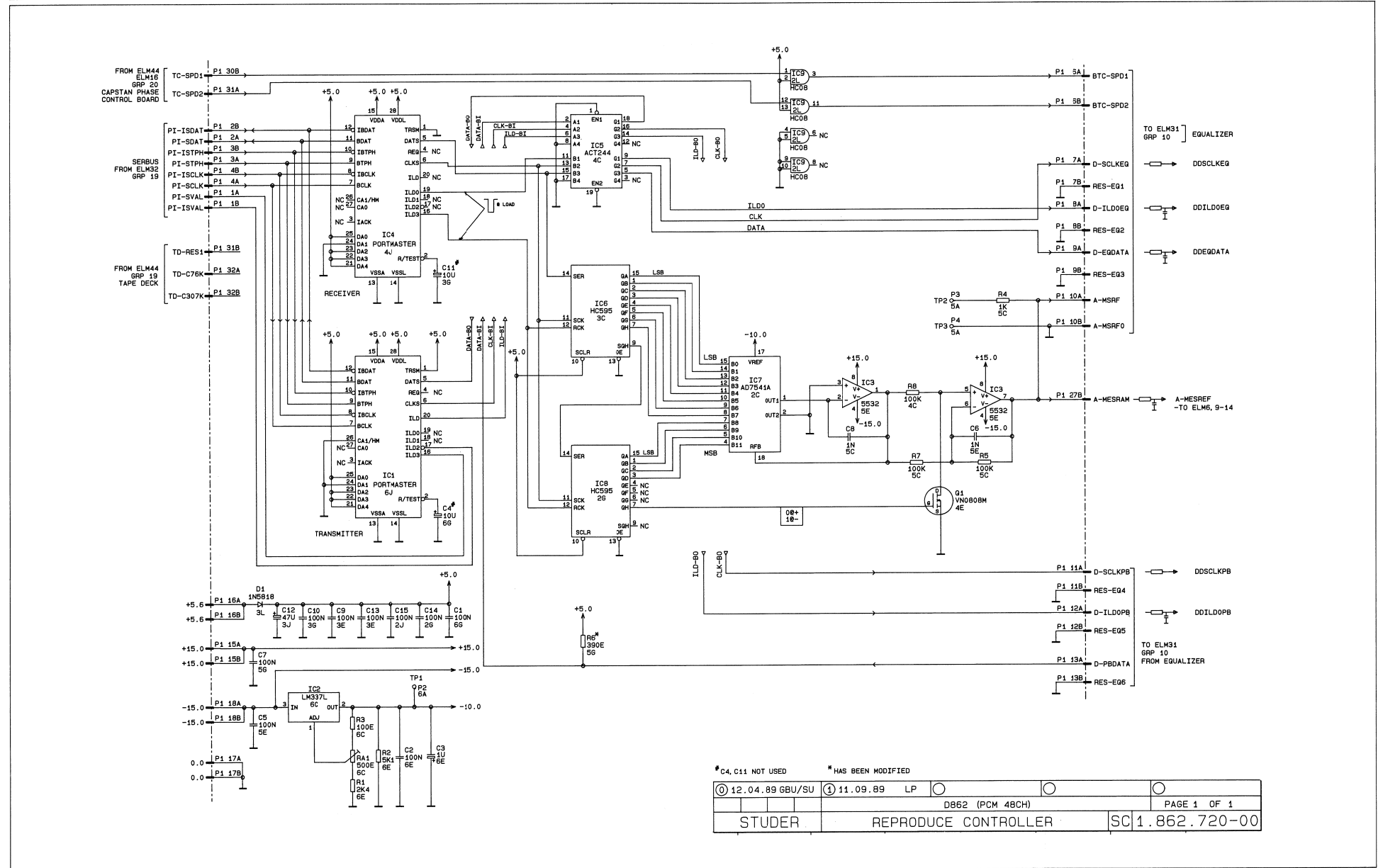


BLOCK DIAGRAM REPRODUCE CONTROLLER



STUDER D820 MCH

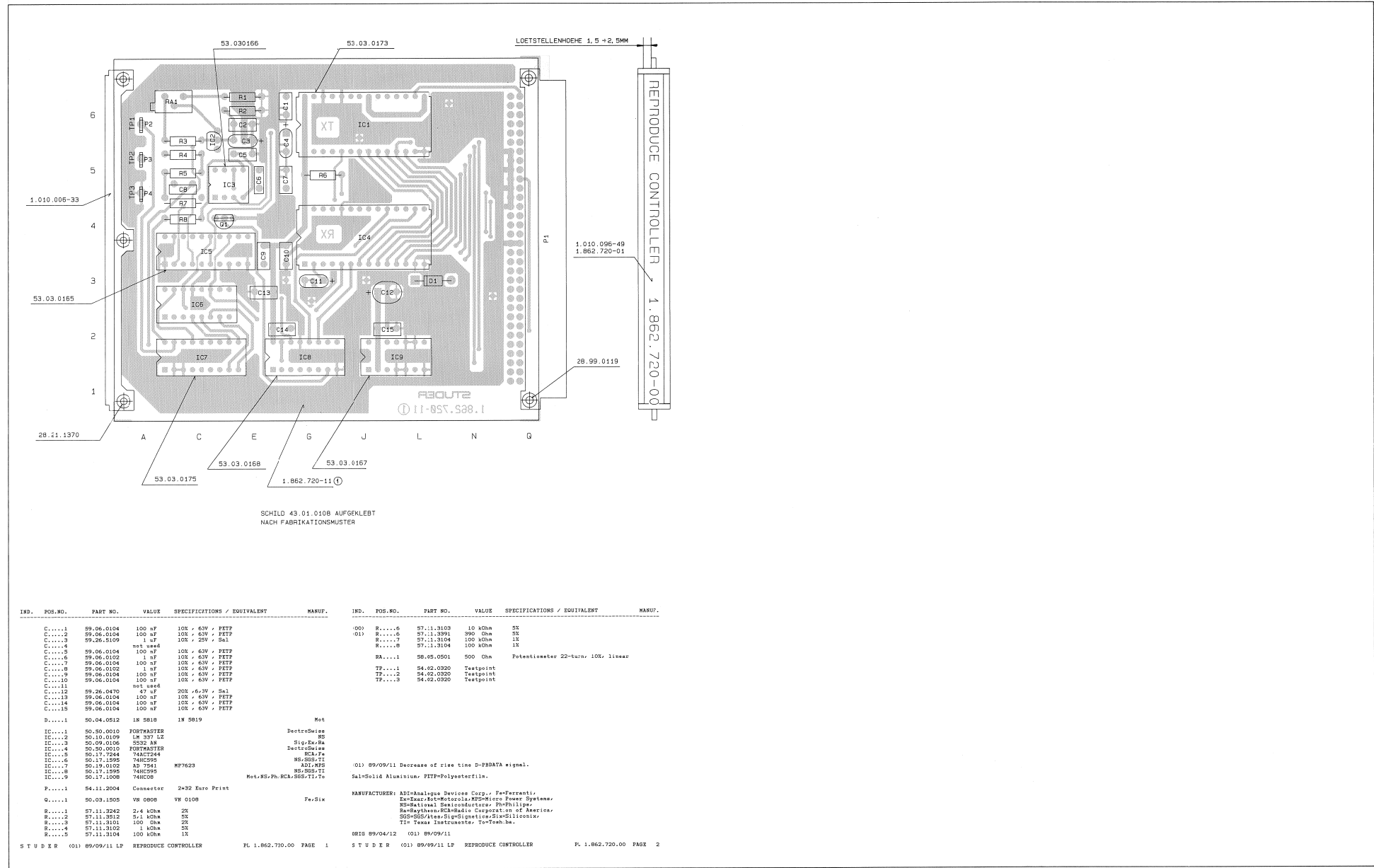
REPRODUCE CONTROLLER 1.862.720.00



*C4, C11 NOT USED * HAS BEEN MODIFIED

① 12.04.89 GBU/SU	① 11.09.89 LP	○	○	○
DB62 (PCM 48CH)			PAGE 1 OF 1	
STUDER		REPRODUCE CONTROLLER		SC 1.862.720-00

REPRODUCE CONTROLLER 1.862.720.00

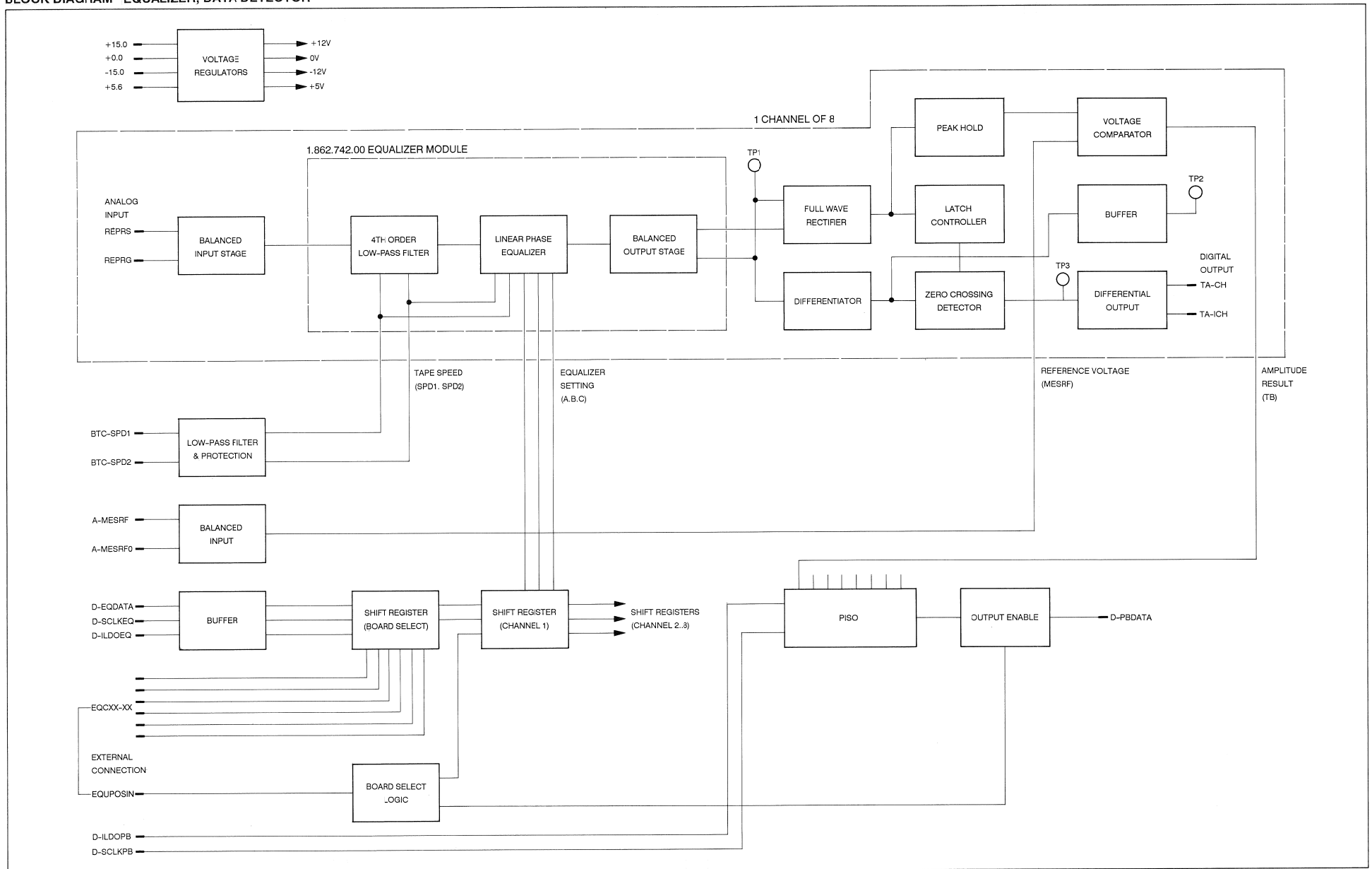


IND.	POS.NO.	PART NO.	VALUE	SPECIFICATIONS / EQUIVALENT	MANUF.	IND.	POS.NO.	PART NO.	VALUE	SPECIFICATIONS / EQUIVALENT	MANUF.
C	1	59.06.0104	100 nF	10K, 63V, PETP		R	6	57.11.3103	10 kOhm	5K	
C	2	59.06.0104	100 nF	10K, 63V, PETP		R	6	57.11.3901	390 Ohm	5K	
C	3	59.26.5109	1 uF	10K, 25V, Sal		R	7	57.11.3104	100 kOhm	1K	
C	4		not used			R	8	57.11.3104	100 kOhm	1K	
C	5	59.06.0104	100 nF	10K, 63V, PETP		RA	1	58.05.0501	500 Ohm	Potentiometer 22-turn, 10% linear	
C	6	59.06.0102	1 nF	10K, 63V, PETP		TP	1	54.02.0320		Testpoint	
C	7	59.06.0104	100 nF	10K, 63V, PETP		TP	2	54.02.0320		Testpoint	
C	8	59.06.0102	1 nF	10K, 63V, PETP		TP	3	54.02.0320		Testpoint	
C	9	59.06.0104	100 nF	10K, 63V, PETP							
C	10	59.06.0104	100 nF	10K, 63V, PETP							
C	11		not used								
C	12	59.26.0470	47 nF	20K, 6.3V, Sal							
C	13	59.06.0104	100 nF	10K, 63V, PETP							
C	14	59.06.0104	100 nF	10K, 63V, PETP							
C	15	59.06.0104	100 nF	10K, 63V, PETP							
D	1	50.04.0512	1N 5818	1N 5819	Met						
IC	1	50.50.0010	PORTMASTER		DectroSuisse						
IC	2	50.10.0109	1K 307 L2		RS						
IC	3	50.09.0106	5532 AN		SiG/Ex/Ra						
IC	4	50.50.0010	PORTMASTER		DectroSuisse						
IC	5	50.17.7244	74ACT244		BC&F						
IC	6	50.17.1995	74HC09		NS/S&S/TI						
IC	7	50.19.0102	AD 7541	MP7623							
IC	8	50.17.1995	74HC09		NS/S&S/TI						
IC	9	50.17.1008	74HC09		Met,NS,Ph,RCA,S&S,TI,To						
F	1	54.11.2004	Connector	2x32 Euro Print							
Q	1	50.03.1505	VR 0808	VR 0108	Fw,Six						
R	1	57.11.3242	2.4 kOhm	2K							
R	2	57.11.3912	3.9 kOhm	3K							
R	3	57.11.3101	100 Ohm	2K							
R	4	57.11.3102	1 kOhm	5K							
R	5	57.11.3104	100 kOhm	1K							

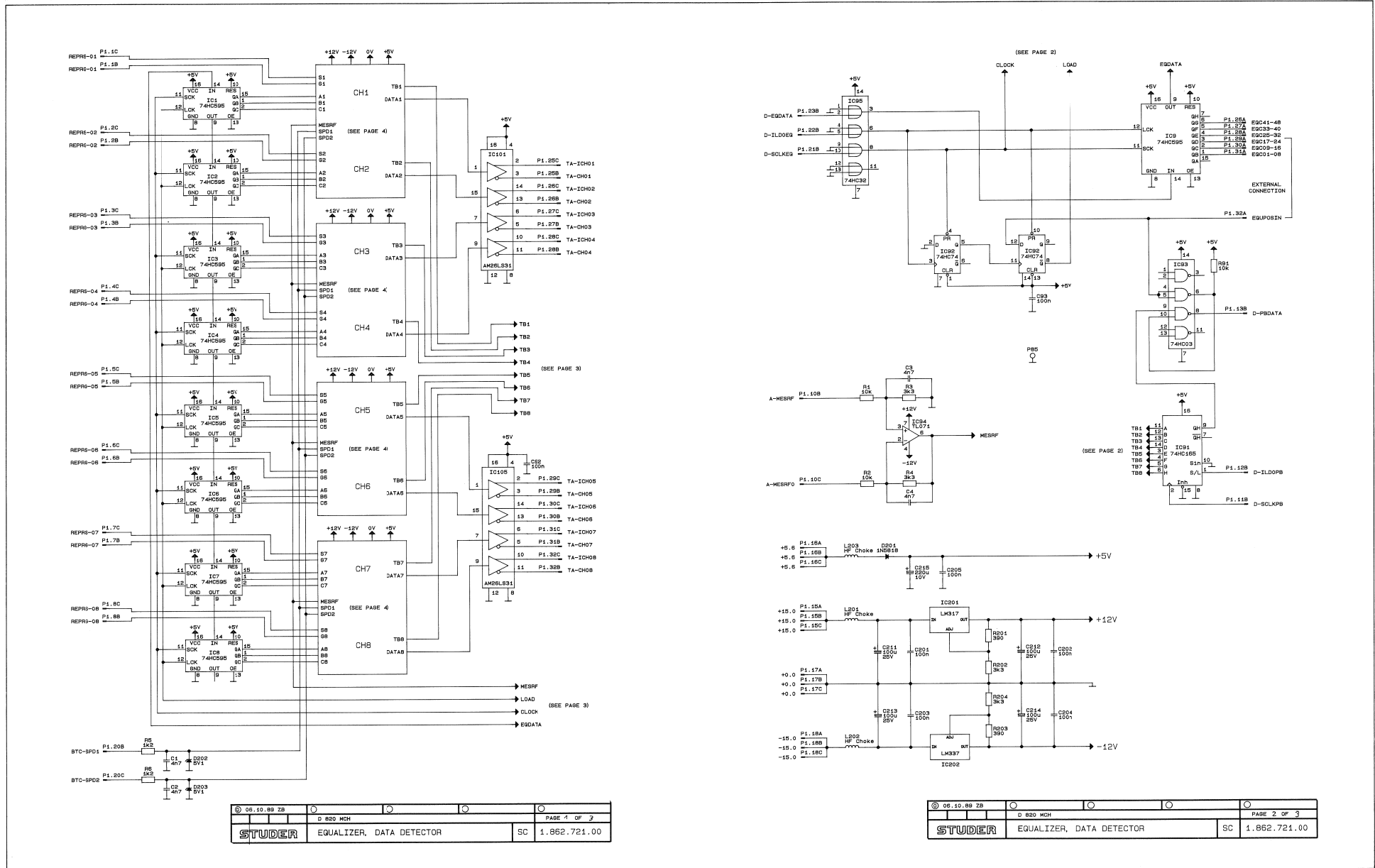
STUDER (01) 89/09/11 LP REPRODUCE CONTROLLER PL 1.862.720.00 PAGE 1

STUDER (01) 89/09/11 LP REPRODUCE CONTROLLER PL 1.862.720.00 PAGE 2

BLOCK DIAGRAM EQUALIZER, DATA DETECTOR



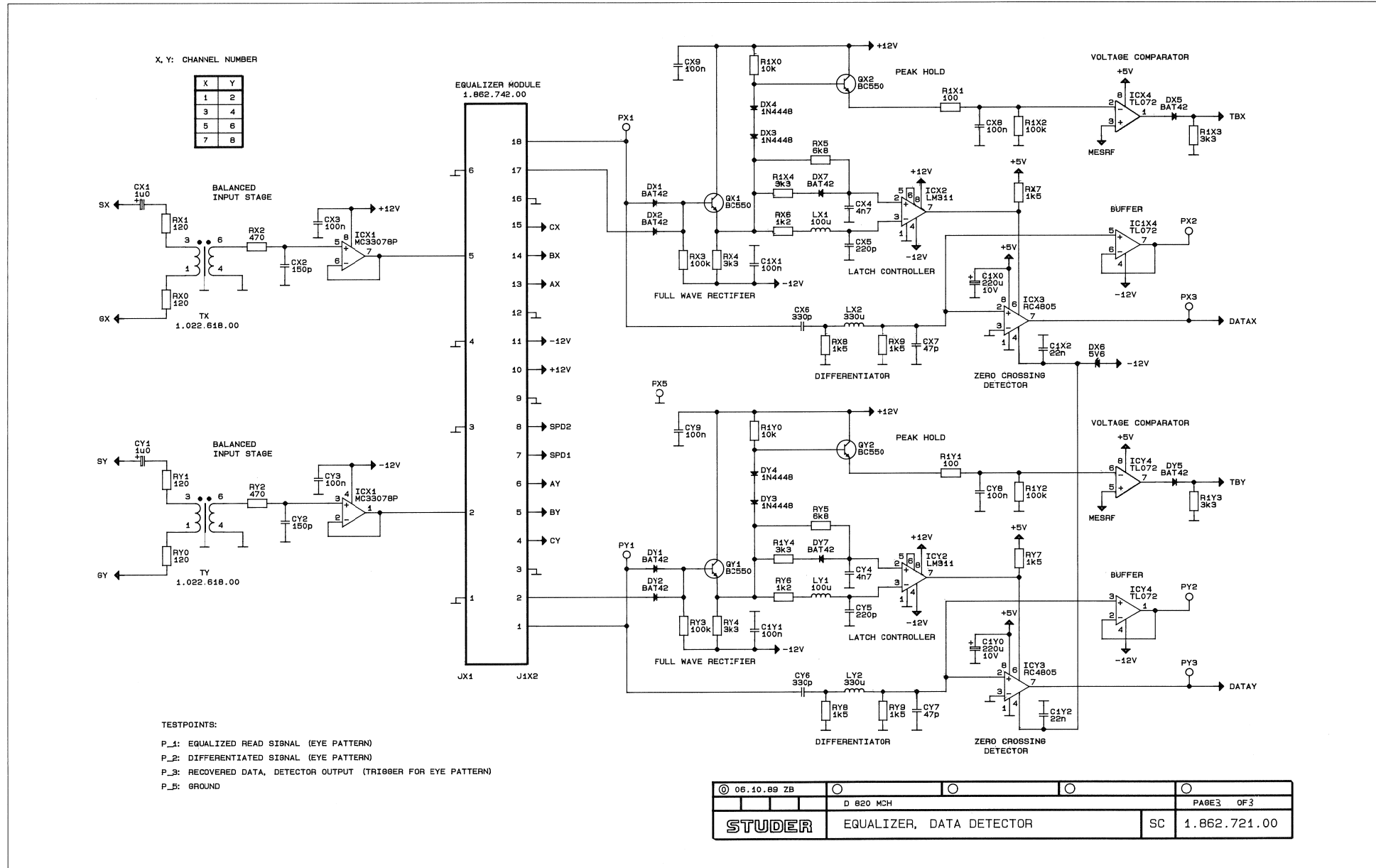
EQUALIZER, DATA DETECTOR 1.862.721.00



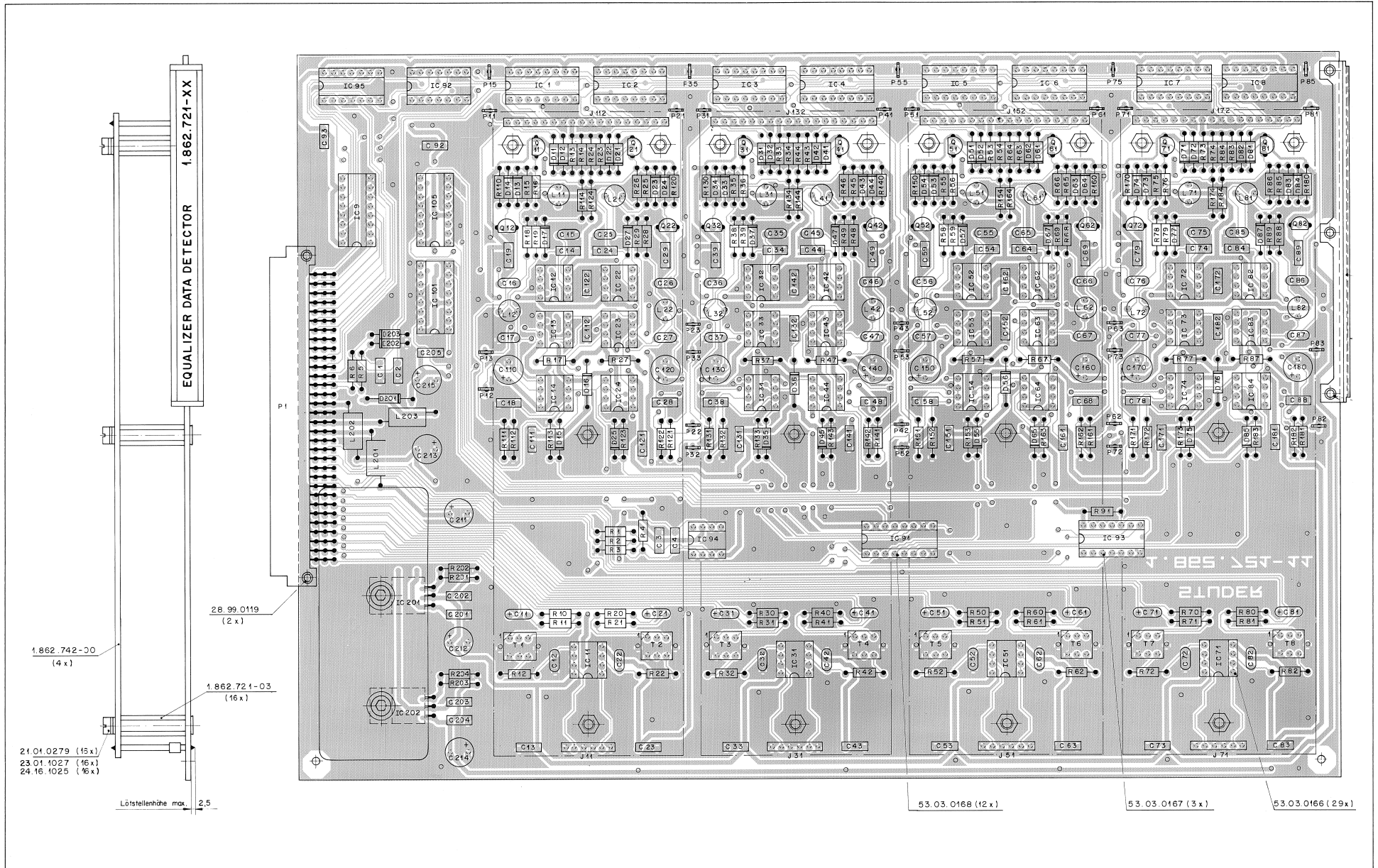
06.10.88 ZB	D 820 MCH	PAGE 1 OF 3
STUDER	EQUALIZER, DATA DETECTOR	SC 1.862.721.00

06.10.88 ZB	D 820 MCH	PAGE 2 OF 3
STUDER	EQUALIZER, DATA DETECTOR	SC 1.862.721.00

EQUALIZER, DATA DETECTOR 1.862.721.00



EQUALIZER, DATA DETECTOR 1.862.721.00



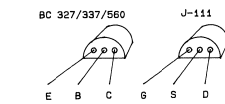
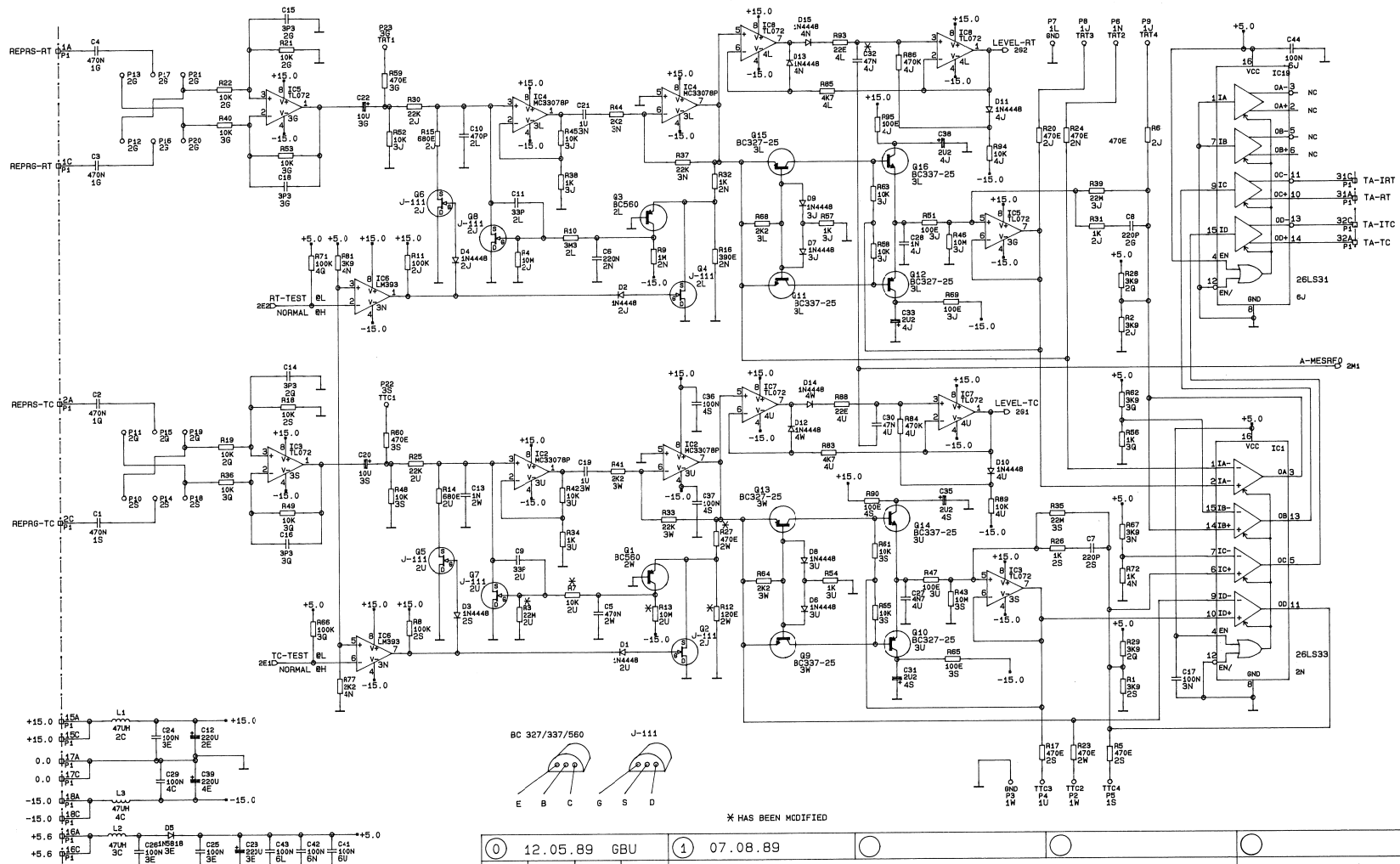
STUDER D820 MCH

EQUALIZER, DATA DETECTOR 1.862.721.00

IND.	POS.NO.	PART NO.	VALUE	SPECIFICATIONS / EQUIVALENT	MANUF.	IND.	POS.NO.	PART NO.	VALUE	SPECIFICATIONS / EQUIVALENT	MANUF.	IND.	POS.NO.	PART NO.	VALUE	SPECIFICATIONS / EQUIVALENT	MANUF.	IND.	POS.NO.	PART NO.	VALUE	SPECIFICATIONS / EQUIVALENT	MANUF.
A.....1	1.862.742.00			EQUALIZER MODUL	ST	C.....209	59.06.0104	100 HF	10X 63V PEP		J....31	53.03.0218	Connector	6 pax	R....39	57.11.3152	1.5 kOhm	1x MF					
A.....2	1.862.742.00			EQUALIZER MODUL	ST	C.....211	59.25.5101	100 UF	-20% 25V E1		J....91	53.03.0218	Connector	6 pax	R....40	57.11.3121	120 Ohm	1x MF					
A.....3	1.862.742.00			EQUALIZER MODUL	ST	C.....212	59.25.5101	100 UF	-20% 25V E1		J....92	53.03.0218	Connector	6 pax	R....41	57.11.3121	120 Ohm	1x MF					
A.....4	1.862.742.00			EQUALIZER MODUL	ST	C.....213	59.25.5101	100 UF	-20% 25V E1		J....112	53.03.0218	Connector	18 pax	R....42	57.11.3471	470 Ohm	1x MF					
C.....1	59.06.0472	4.7 nF	10X 63V PEP		C.....214	59.25.5101	100 UF	-20% 25V E1		J....152	53.03.0218	Connector	18 pax	R....44	57.11.3332	3.3 kOhm	1x MF						
C.....2	59.06.0472	4.7 nF	10X 63V PEP		C.....215	59.25.5101	250 UF			J....172	59.25.0218	Connector	18 pax	R....45	57.11.3682	6.8 kOhm	1x MF						
C.....3	59.06.0472	4.7 nF	10X 63V PEP		D.....11	50.04.0127	BAT 42	BAT 85	Ph:SS5,Tho		L.....11	62.02.3013	100 uH	10% note 1	T....47	57.11.3122	1.5 kOhm	1x MF					
C.....4	59.06.0472	4.7 nF	10X 63V PEP		D.....12	50.04.0127	BAT 42	BAT 85	Ph:SS5,Tho		L.....12	62.02.3031	330 uH	10% note 2	T....48	57.11.3152	1.5 kOhm	1x MF					
C.....5	59.34.4151	150 pF	5X 63V, Dec	Ph	D.....13	50.04.0125	18 4448		Fe:ITT,Ph:Te		L.....13	62.02.3013	100 uH	10% note 1	T....49	57.11.3122	1.5 kOhm	1x MF					
C.....6	59.34.4221	220 pF	5X 63V, Dec		D.....14	50.04.0125	18 4448		Ph:SS5,Tho		L.....32	62.02.3031	330 uH	10% note 2	T....50	57.11.3121	120 Ohm	1x MF					
C.....7	59.34.4331	330 pF	5X 63V, Dec		D.....15	50.04.0127	BAT 42		ITT,Met,Ph:SS5,Tho		L.....33	62.02.3013	100 uH	10% note 1	T....51	57.11.3121	120 Ohm	1x MF					
C.....8	59.34.4270	47 pF	5X 63V, Dec		D.....16	50.04.1504	5.6 V	Z 1.36	Ph:SS5,Tho		L.....34	62.02.3031	330 uH	10% note 2	T....52	57.11.3471	470 Ohm	1x MF					
C.....9	59.06.0104	100 nF	10X 63V PEP		D.....17	50.04.0127	BAT 42		Ph:SS5,Tho		L.....41	62.02.3101	100 uH	10% note 2	T....53	57.11.3104	100 kOhm	1x MF					
C.....10	59.06.0104	100 nF	10X 63V PEP		D.....18	50.04.0127	BAT 42		Ph:SS5,Tho		L.....42	62.02.3031	330 uH	10% note 2	T....54	57.11.3332	3.3 kOhm	1x MF					
C.....11	59.34.4151	150 pF	5X 63V, Dec	Ph	D.....19	50.04.0125	18 4448		Fe:ITT,Ph:Te		L.....51	62.02.3101	100 uH	10% note 1	T....55	57.11.3682	6.8 kOhm	1x MF					
C.....12	59.34.4221	220 pF	5X 63V, Dec		D.....20	50.04.0125	18 4448		Ph:SS5,Tho		L.....61	62.02.3101	100 uH	10% note 2	T....56	57.11.3122	1.5 kOhm	1x MF					
C.....13	59.34.4331	330 pF	5X 63V, Dec		D.....21	50.04.0127	BAT 42		Ph:SS5,Tho		L.....72	62.02.3031	330 uH	10% note 2	T....57	57.11.3152	1.5 kOhm	1x MF					
C.....14	59.06.0104	100 nF	10X 63V PEP		D.....22	50.04.0127	BAT 42		Ph:SS5,Tho		L.....71	62.02.3101	100 uH	10% note 1	T....58	57.11.3152	1.5 kOhm	1x MF					
C.....15	59.34.4270	47 pF	5X 63V, Dec		D.....23	50.04.0125	18 4448		Fe:ITT,Ph:Te		L.....82	62.02.3101	100 uH	10% note 1	T....59	57.11.3121	120 Ohm	1x MF					
C.....16	59.34.4331	330 pF	5X 63V, Dec		D.....24	50.04.0125	18 4448		Ph:SS5,Tho		L.....81	62.02.3101	100 uH	10% note 1	T....60	57.11.3121	120 Ohm	1x MF					
C.....17	59.06.0104	100 nF	10X 63V PEP		D.....25	50.04.0125	18 4448		Fe:ITT,Ph:Te		L.....80	62.01.0115	HF Choke	note 3	T....61	57.11.3104	100 kOhm	1x MF					
C.....18	59.06.0104	100 nF	10X 63V PEP		D.....26	50.04.0127	BAT 42		Ph:SS5,Tho		L.....201	62.01.0115	HF Choke	note 3	T....62	57.11.3471	470 Ohm	1x MF					
C.....19	59.06.0104	100 nF	10X 63V PEP		D.....27	50.04.0127	BAT 42		Ph:SS5,Tho		L.....202	62.01.0115	HF Choke	note 3	T....63	57.11.3121	120 Ohm	1x MF					
C.....20	59.34.4151	150 pF	5X 63V, Dec	Ph	D.....28	50.04.0127	BAT 42		Ph:SS5,Tho		L.....203	62.01.0115	HF Choke	note 3	T....64	57.11.3332	3.3 kOhm	1x MF					
C.....21	59.34.4221	220 pF	5X 63V, Dec		D.....29	50.04.0127	BAT 42		Ph:SS5,Tho		F.....1	54.01.0280	Connector	Successor, 96-pin right angl	T....65	57.11.3152	1.5 kOhm	1x MF					
C.....22	59.34.4331	330 pF	5X 63V, Dec		D.....30	50.04.0125	18 4448		Fe:ITT,Ph:Te		F.....12	54.02.0220	Connector	Metton	T....66	57.11.3122	1.5 kOhm	1x MF					
C.....23	59.06.0104	100 nF	10X 63V PEP		D.....31	50.04.0127	BAT 42		Ph:SS5,Tho		F.....13	54.02.0220	Connector	Metton	T....67	57.11.3121	120 Ohm	1x MF					
C.....24	59.06.0472	4.7 nF	10X 63V PEP		D.....32	50.04.0127	BAT 42		Ph:SS5,Tho		F.....15	54.02.0220	Connector	Metton	T....68	57.11.3104	100 kOhm	1x MF					
C.....25	59.34.4221	220 pF	5X 63V, Dec		D.....33	50.04.0127	BAT 42		Ph:SS5,Tho		F.....16	54.02.0220	Connector	Metton	T....69	57.11.3121	120 Ohm	1x MF					
C.....26	59.34.4331	330 pF	5X 63V, Dec		D.....34	50.04.0125	18 4448		Fe:ITT,Ph:Te		F.....22	54.02.0220	Connector	Metton	T....70	57.11.3121	120 Ohm	1x MF					
C.....27	59.34.2470	47 pF	5X 63V, Dec		D.....35	50.04.0125	18 4448		Ph:SS5,Tho		F.....25	54.02.0220	Connector	Metton	T....71	57.11.3104	100 kOhm	1x MF					
C.....28	59.06.0104	100 nF	10X 63V PEP		D.....36	50.04.0125	18 4448		Fe:ITT,Ph:Te		F.....22	54.02.0220	Connector	Metton	T....72	57.11.3121	120 Ohm	1x MF					
C.....29	59.06.0104	100 nF	10X 63V PEP		D.....37	50.04.0127	BAT 42		Ph:SS5,Tho		F.....31	54.02.0220	Connector	Metton	T....75	57.11.3682	6.8 kOhm	1x MF					
C.....30	59.34.4151	150 pF	5X 63V, Dec	Ph	D.....38	50.04.0127	BAT 42		Ph:SS5,Tho		F.....31	54.02.0220	Connector	Metton	T....76	57.11.3122	1.5 kOhm	1x MF					
C.....31	59.34.4221	220 pF	5X 63V, Dec		D.....39	50.04.0127	BAT 42		Ph:SS5,Tho		F.....11	54.02.0220	Connector	Metton	T....77	57.11.3152	1.5 kOhm	1x MF					
C.....32	59.34.4331	330 pF	5X 63V, Dec		D.....40	50.04.0127	BAT 42		Ph:SS5,Tho		F.....12	54.02.0220	Connector	Metton	T....78	57.11.3104	100 kOhm	1x MF					
C.....33	59.06.0104	100 nF	10X 63V PEP		D.....41	50.04.0127	BAT 42		Ph:SS5,Tho		F.....15	54.02.0220	Connector	Metton	T....79	57.11.3152	1.5 kOhm	1x MF					
C.....34	59.06.0472	4.7 nF	10X 63V PEP		D.....42	50.04.0125	18 4448		Fe:ITT,Ph:Te		F.....16	54.02.0220	Connector	Metton	T....80	57.11.3121	120 Ohm	1x MF					
C.....35	59.34.4270	47 pF	5X 63V, Dec		D.....43	50.04.0125	18 4448		Ph:SS5,Tho		F.....22	54.02.0220	Connector	Metton	T....81	57.11.3121	120 Ohm	1x MF					
C.....36	59.34.4331	330 pF	5X 63V, Dec		D.....44	50.04.0127	BAT 42		Ph:SS5,Tho		F.....25	54.02.0220	Connector	Metton	T....82	57.11.3104	100 kOhm	1x MF					
C.....37	59.34.2470	47 pF	5X 63V, Dec		D.....45	50.04.0127	BAT 42		Ph:SS5,Tho		F.....22	54.02.0220	Connector	Metton	T....83	57.11.3121	120 Ohm	1x MF					
C.....38	59.06.0104	100 nF	10X 63V PEP		D.....46	50.04.0125	18 4448		Fe:ITT,Ph:Te		F.....31	54.02.0220	Connector	Metton	T....85	57.11.3471	470 Ohm	1x MF					
C.....39	59.06.0104	100 nF	10X 63V PEP		D.....47	50.04.0127	BAT 42		Ph:SS5,Tho		F.....11	54.02.0220	Connector	Metton	T....86	57.11.3152	1.5 kOhm	1x MF					
C.....40	59.26.9109	1 uF	20X 40V, Ba1	Ph	D.....48	50.04.0125	18 4448		Ph:SS5,Tho		F.....12	54.02.0220	Connector	Metton	T....87	57.11.3122	1.5 kOhm	1x MF					
C.....41	59.06.0104	100 nF	10X 63V PEP		D.....49	50.04.0127	BAT 42		Ph:SS5,Tho		F.....13	54.02.0220	Connector	Metton	T....88	57.11.3104	100 kOhm	1x MF					
C.....42	59.06.0104	100 nF	10X 63V PEP		D.....50	50.04.0127	BAT 42		Ph:SS5,Tho		F.....15	54.02.0220	Connector	Metton	T....89	57.11.3152	1.5 kOhm	1x MF					
C.....43	59.06.0104	100 nF	10X 63V PEP		D.....51	50.04.0127	BAT 42		Ph:SS5,Tho		F.....16	54.02.0220	Connector	Metton	T....90	57.11.3121	120 Ohm	1x MF					
C.....44	59.34.4221	220 pF	5X 63V, Dec		D.....52	50.04.0127	BAT 42		Ph:SS5,Tho		F.....15	54.02.0220	Connector	Metton	T....91	57.11.3104	100 kOhm	1x MF					
C.....45	59.34.4331	330 pF	5X 63V, Dec		D.....53	50.04.0127	BAT 42		Ph:SS5,Tho		F.....16	54.02.0220	Connector	Metton	T....92	57.11.3121	120 Ohm	1x MF					
C.....46	59.06.0104	100 nF	10X 63V PEP		D.....54	50.04.0125	18 4448		Fe:ITT,Ph:Te		F.....22	54.02.0220	Connector	Metton	T....93	57.11.3104	100 kOhm	1x MF					
C.....47	59.34.2470	47 pF	5X 63V, Dec		D.....55	50.04.0125	18 4448		Ph:SS5,Tho		F.....25	54.02.0220	Connector	Metton	T....94	57.11.3121	120 Ohm	1x MF					
C.....48	59.06.0104	100 nF	10X 63V PEP		D.....56	50.04.0127	BAT																

STUDER D820 MCH

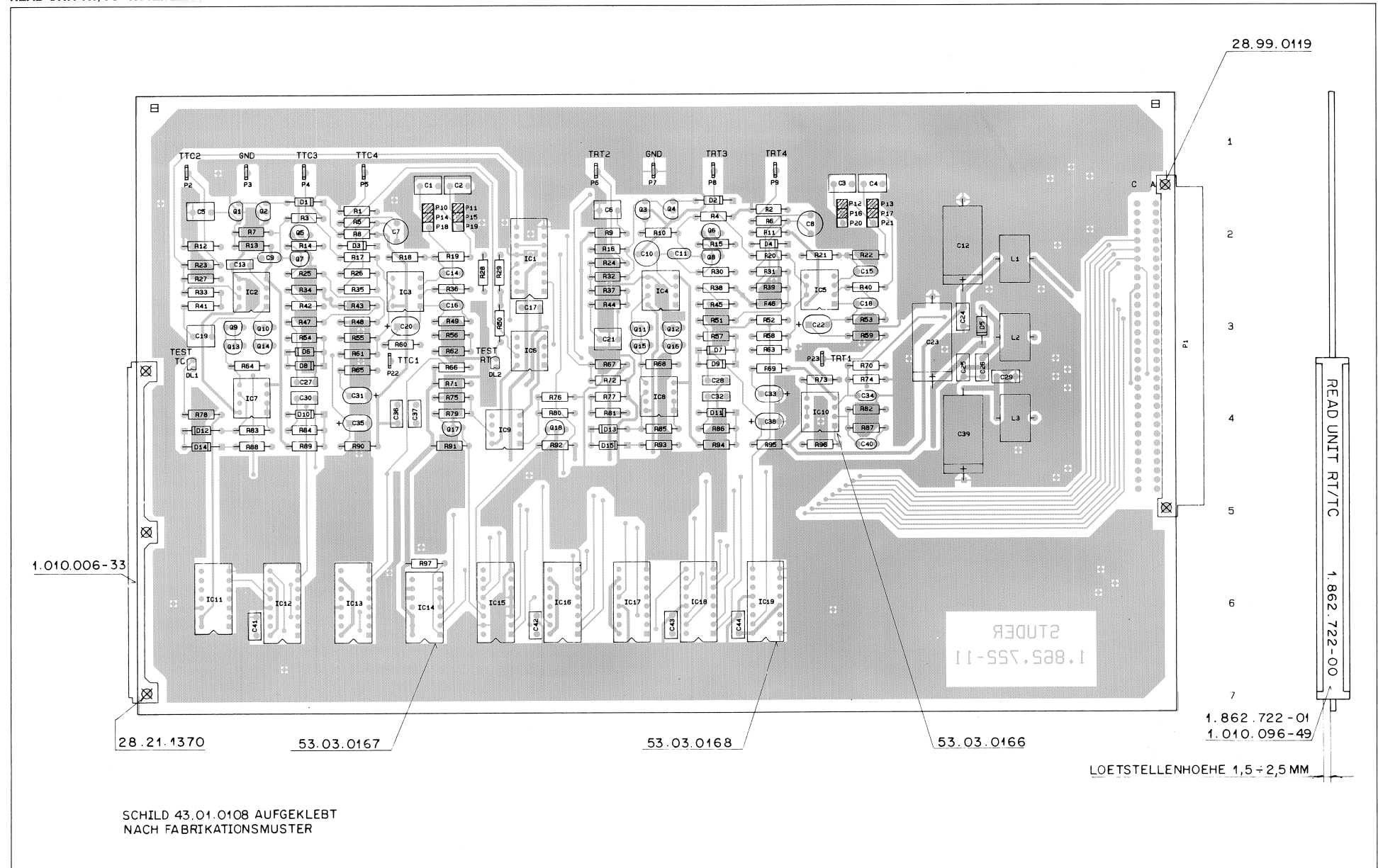
READ UNIT RT/TC 1.862.722.00



* HAS BEEN MODIFIED

0	12.05.89	6BU	1	07.08.89				
STUDER			READ UNIT RT/TC			SC 1.862.722-00		
							PAGE 1 OF 2	

READ UNIT RT/TC 1.862.722.00



STUDER D820 MCH

READ UNIT RT/TC 1.862.722.00

IND.	POS.NO.	PART NO.	VALUE	SPECIFICATIONS / EQUIVALENT	MANUF.
C....1	59.06.0474	470 pf	10K	63V, PETP	
C....2	59.06.0474	470 pf	10K	63V, PETP	
C....3	59.06.0474	470 pf	10K	63V, PETP	
C....4	59.06.0474	470 pf	10K	63V, PETP	
C....5	59.06.0474	470 pf	10K	63V, PETP	
C....6	59.06.0224	220 pf	10K	63V, PETP	
C....7	59.34.4221	220 pf	10K	63V, Cae	
C....8	59.34.4221	220 pf	10K	63V, Cae	
C....9	59.34.2200	220 pf	5K	63V, Cae	
C....10	59.05.1471	470 pf	5K	63V, PF	
C....11	59.25.4221	220 pf	5K	63V, Cae	
C....12	59.25.4221	220 pf	20K	25V, E1	
C....13	59.34.0339	3.3 pf	5K	63V, PETP	
C....14	59.34.0339	3.3 pf	5K	63V, Cae	
C....15	59.34.0339	3.3 pf	5K	63V, Cae	
C....16	59.34.0339	3.3 pf	5K	63V, Cae	
C....17	59.06.0104	100 pf	10K	63V, PETP	
C....18	59.34.0339	3.3 pf	5K	63V, Cae	
C....19	59.06.0105	10 pf	10K	50V, PETP	
C....20	59.26.2100	10 pf	20K	16V, Sal	
C....21	59.06.0105	10 pf	10K	50V, PETP	
C....22	59.26.2100	10 pf	20K	16V, Sal	
C....23	59.26.4221	220 pf	20K	25V, E1	
C....24	59.06.0104	100 pf	10K	63V, PETP	
C....25	59.06.0104	100 pf	10K	63V, PETP	
C....26	59.06.0104	100 pf	10K	63V, PETP	
C....27	59.06.0104	100 pf	10K	63V, PETP	
C....28	59.06.0102	4.7 pf	10K	63V, PETP	
C....29	59.06.0102	4.7 pf	10K	63V, PETP	
C....30	59.06.0104	100 pf	10K	63V, PETP	
C....31	59.26.2229	2.2 pf	20K	25V, Sal	
C....32	59.06.0475	470 pf	10K	63V, Cae	
C....33	59.26.2229	2.2 pf	20K	25V, Sal	
C....34	59.34.4101	100 pf	5K	63V, Cae	
C....35	59.26.2229	2.2 pf	20K	25V, Sal	
C....36	59.06.0104	100 pf	10K	63V, PETP	
C....37	59.06.0104	100 pf	10K	63V, PETP	

S T U D E R (01) 89/08/07 BBT READ UNIT RT / TC PL 1.862.722.00 PAGE 1

IND.	POS.NO.	PART NO.	VALUE	SPECIFICATIONS / EQUIVALENT	MANUF.
Q....1	50.03.0496	BC 560 E		S14	
Q....2	50.03.0216	J 111		Met-MS-S14:1e	
Q....3	50.03.0496	BC 560 E		S14	
Q....4	50.03.0216	J 111		Met-MS-S14:1e	
Q....5	50.03.0216	J 111		Met-MS-S14:1e	
Q....6	50.03.0216	J 111		Met-MS-S14:1e	
Q....7	50.03.0216	J 111		Met-MS-S14:1e	
Q....8	50.03.0216	J 111		Met-MS-S14:1e	
Q....9	50.03.0340	BC 337-25		ITT-Fn-S14	
Q....10	50.03.0351	BC 327-25		ITT-Fn-S14	
Q....11	50.03.0340	BC 327-25		ITT-Fn-S14	
Q....12	50.03.0351	BC 327-25		ITT-Fn-S14	
Q....13	50.03.0351	BC 327-25		ITT-Fn-S14	
Q....14	50.03.0340	BC 327-25		ITT-Fn-Mot	
Q....15	50.03.0340	BC 327-25		ITT-Fn-Mot	
Q....16	50.03.0340	BC 327-25		ITT-Fn-Mot	
Q....17	50.03.0436	BC 237 B	BC 547 B, BC 550 B	ITT-Met-Fn-S14	
Q....18	50.03.0436	BC 237 B	BC 547 B, BC 550 B	ITT-Met-Fn-S14	
R....1	57.11.3392	3.9 kOhm	5K		
R....2	57.11.3392	3.9 kOhm	5K		
R....3	57.11.6226	22 kOhm	10K		
R....4	57.11.3103	10 kOhm	5K		
R....5	57.11.3471	470 Ohm	5K		
R....6	57.11.3471	470 Ohm	5K		
R....7	57.11.3103	10 kOhm	10K		
R....8	57.11.3104	100 kOhm	10K		
R....9	57.11.3105	1 kOhm	5K		
R....10	57.11.3326	3.3 kOhm	5K		
R....11	57.11.3104	100 kOhm	10K		
R....12	57.11.3121	120 Ohm	2K		
R....13	57.11.3106	10 kOhm	10K		
R....14	57.11.3601	680 Ohm	1K		
R....15	57.11.3601	680 Ohm	1K		
R....16	57.11.3911	390 Ohm	1K		
R....17	57.11.3471	470 Ohm	5K		

S T U D E R (01) 89/08/07 BBT READ UNIT RT / TC PL 1.862.722.00 PAGE 4

IND.	POS.NO.	PART NO.	VALUE	SPECIFICATIONS / EQUIVALENT	MANUF.
R....90	57.11.3101	100 Ohm	5K		
R....91	57.11.3473	47 kOhm	5K		
R....92	57.11.3473	47 kOhm	5K		
R....93	57.11.3220	22 kOhm	5K		
R....94	57.11.3103	10 kOhm	5K		
R....95	57.11.3101	100 Ohm	5K		
R....96	57.11.3470	47 Ohm	5K		
R....97	57.11.3103	10 kOhm	10K		

Note 1 - Contact pin: Studer Nr. 54.01.0020
 Reg Nr. 75.160-102-36
 Bridge: Philips Nr. 2422 G2E 89303
 Studer Nr. 54.01.0021
 Reg Nr. 65 474-006
 Philips Nr. 2422 G24 88003

(01) Decrease of attack time of time code ABC.
 Cae=Ceramic, El=Electrolytic, Sal=Solid aluminium, PETP=Polymethyl-
 PP=Polystyrene.
 MANUFACTURER: AM=Advanced Micro Devices, For=Fairchild, ITT=Intermetall,
 Int=Interteil, Met=Material, NS=National Semiconductor,
 Ph=Philips, RCA=Radio Corporation of America, SEM=Semiconductors,
 SDB=SDS/Bayer, Sio=Siemens, Sio=Siemens, T=Telefunken,
 TH=Thomson, TI=Texas Instruments.

ORIG 99/05/12 (01) 89/08/07 READ UNIT RT / TC PL 1.862.722.00 PAGE 7

IND.	POS.NO.	PART NO.	VALUE	SPECIFICATIONS / EQUIVALENT	MANUF.
C....38	59.26.2229	2.2 pf	20K	25V, Sal	
C....39	59.25.4221	220 pf	20K	25V, E1	
C....40	59.34.4101	100 pf	5K	63V, Cae	
C....41	59.06.0104	100 pf	10K	63V, PETP	
C....42	59.06.0104	100 pf	10K	63V, PETP	
C....43	59.06.0104	100 pf	10K	63V, PETP	
C....44	59.06.0104	100 pf	10K	63V, PETP	
D....1	50.04.0125	184448		Fc:ITT/Fn/SES/TF	
D....2	50.04.0125	184448		Fc:ITT/Fn/SES/TF	
D....3	50.04.0125	184448		Fc:ITT/Fn/SES/TF	
D....4	50.04.0125	184448		Fc:ITT/Fn/SES/TF	
D....5	50.04.0512	185818 RL	185819 RL	Fc:ITT/Fn/SES/TF Met	
D....6	50.04.0125	184448		Fc:ITT/Fn/SES/TF	
D....7	50.04.0125	184448		Fc:ITT/Fn/SES/TF	
D....8	50.04.0125	184448		Fc:ITT/Fn/SES/TF	
D....9	50.04.0125	184448		Fc:ITT/Fn/SES/TF	
D....10	50.04.0125	184448		Fc:ITT/Fn/SES/TF	
D....11	50.04.0125	184448		Fc:ITT/Fn/SES/TF	
D....12	50.04.0125	184448		Fc:ITT/Fn/SES/TF	
D....13	50.04.0125	184448		Fc:ITT/Fn/SES/TF	
D....14	50.04.0125	184448		Fc:ITT/Fn/SES/TF	
D....15	50.04.0125	184448		Fc:ITT/Fn/SES/TF	
DL....1	50.04.2121	TLUR 2401	LED, f44	TF	
DL....2	50.04.2121	TLUR 2401	LED, f44	TF	
IC 1	50.15.0109	MS24LS32CM	DS 26 LS 33 IC	AMS,MS	
IC....2	50.09.0117	MC 3378P		Met	
IC....3	50.09.0101	TL 072 CP	TDR 0353 DF	Met/TL/SES/Tha	
IC....4	50.09.0117	MC 3378P		Met	
IC....5	50.09.0101	TL 072 CP	TDR 0353 DF	Met/TL/SES/Tha	
IC....6	50.05.0283	LM 393 B	LM 393 P, LM 393 DP	TI,RS,Tha	
IC....7	50.09.0101	TL 072 CP	TDR 0353 DF	Met/TL/SES/Tha	
IC....8	50.09.0101	TL 072 CP	TDR 0353 DF	Met/TL/SES/Tha	
IC....9	50.05.0283	LM 393 B	LM 393 P, LM 393 DP	TI,RS,Tha	
IC....10	50.09.0101	TL 072 CP	TDR 0353 DF	Met/TL/SES/Tha	

S T U D E R (01) 89/08/07 BBT READ UNIT RT / TC PL 1.862.722.00 PAGE 2

IND.	POS.NO.	PART NO.	VALUE	SPECIFICATIONS / EQUIVALENT	MANUF.
R....18	57.11.3103	10 kOhm	1K		
R....19	57.11.3103	10 kOhm	1K		
R....20	57.11.3471	470 Ohm	5K		
R....21	57.11.3103	10 kOhm	1K		
R....22	57.11.3103	10 kOhm	1K		
R....23	57.11.3471	470 Ohm	5K		
R....24	57.11.3471	470 Ohm	5K		
R....25	57.11.3223	22 kOhm	5K		
R....26	57.11.3102	1 kOhm	5K		
R....27	57.11.3471	470 Ohm	5K		
R....28	57.11.3471	470 Ohm	5K		
R....29		not used			
R....30	57.11.3223	22 kOhm	5K		
R....31	57.11.3102	1 kOhm	5K		
R....32	57.11.3102	1 kOhm	2K		
R....33	57.11.3102	22 kOhm	2K		
R....34	57.11.3102	1 kOhm	2K		
R....35	57.11.3102	1 kOhm	10K		
R....36	57.11.3103	10 kOhm	1K		
R....37	57.11.3102	1 kOhm	5K		
R....38	57.11.3102	1 kOhm	2K		
R....39	57.11.3102	1 kOhm	10K		
R....40	57.11.3103	10 kOhm	1K		
R....41	57.11.3222	2.2 kOhm	5K		
R....42	57.11.3103	10 kOhm	1K		
R....43	57.11.3106	680 Ohm	10K		
R....44	57.11.3222	2.2 kOhm	2K		
R....45	57.11.3103	100 Ohm	5K		
R....46	57.11.3106	680 Ohm	10K		
R....47	57.11.3111	100 Ohm	5K		
(01) R....47	57.11.3103	10 kOhm	10K		
(01) R....47	57.11.3101	100 Ohm	5K		
R....48	57.11.3103	10 kOhm	10K		
R....49	57.11.3103	10 kOhm	1K		
R....50	57.11.3471	470 Ohm	5K		
(00) R....51	57.11.3111	100 Ohm	5K		
(00) R....51	57.11.3101	100 Ohm	5K		
R....52	57.11.3103	10 kOhm	10K		

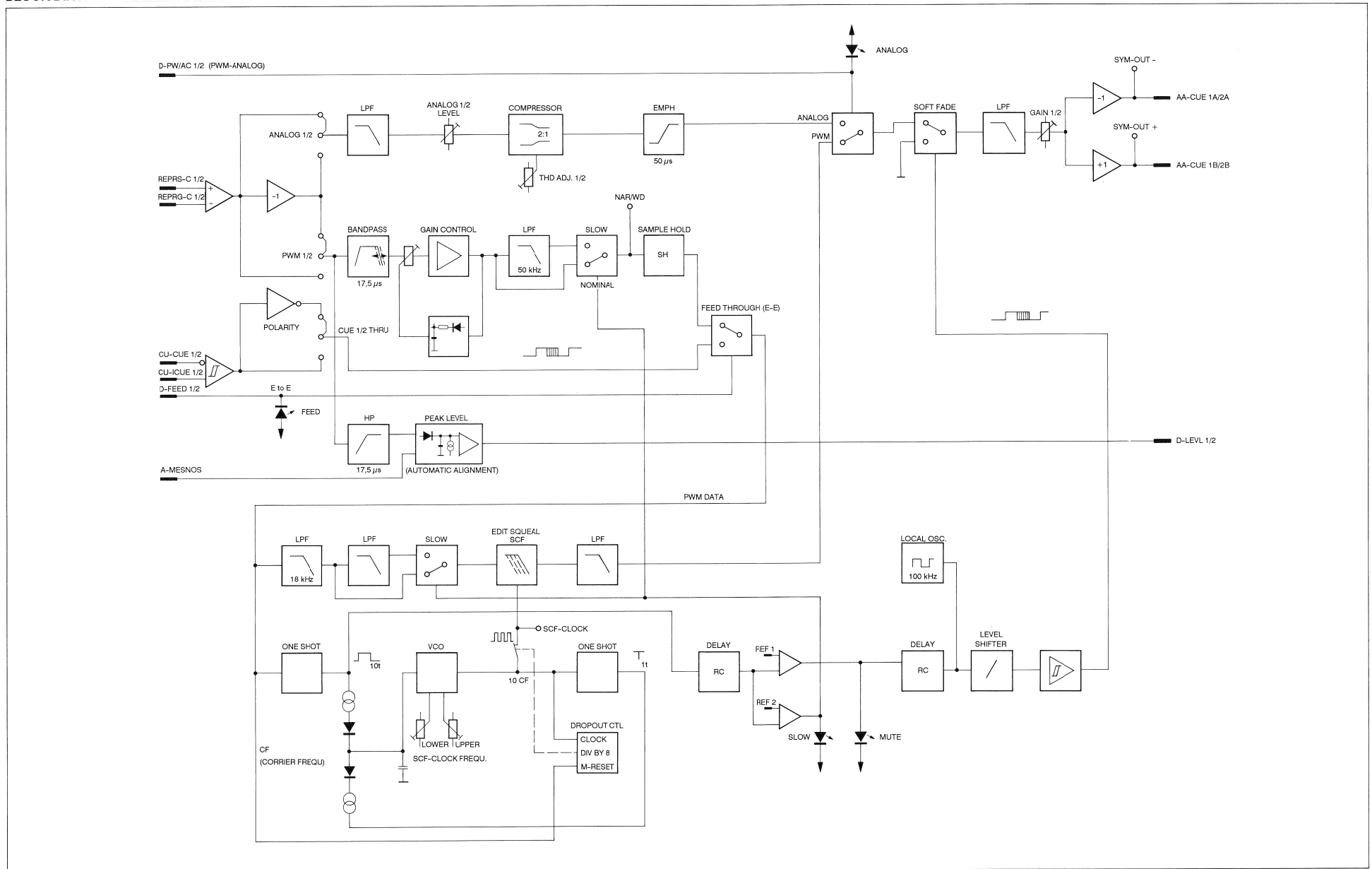
S T U D E R (01) 89/08/07 BBT READ UNIT RT / TC PL 1.862.722.00 PAGE 5

IND.	POS.NO.	PART NO.	VALUE	SPECIFICATIONS / EQUIVALENT	MANUF.
IC 11	50.17.1074	CP74HC 74B	. . 74 HC 74 . .	Met,RS/Fn,R23,SES,Tha,TI	
IC 12	50.17.1095	74 HC 595	. . 74 HC 595	RS,SES,Tha,TI	
IC 13	50.17.1095	74 HC 595	. . 74 HC 595	RS,SES,Tha,TI	
IC 14	50.17.1003	CP74HC 03B	. . 47 HC 03 . .	Met,MS,TI	
IC 15	50.17.1168	CP74HC 03B	. . 74 HC 03 . .	Met,RS,Tha,TI	
IC 16	50.17.1095	74 HC 595	. . 74 HC 595	RS,SES,Tha,TI	
IC 17	50.17.1095	74 HC 595	. . 74 HC 595	RS,SES,Tha,TI	
IC 18	50.17.1095	74 HC 595	. . 74 HC 595	RS,SES,Tha,TI	
IC 19	50.15.0109	MS24LS32CM	DS 26 LS 33 IC	AMS,MS,TI	
L....1	62.03.0010	48 uR	2 A, Tokin nr. SN - 5 - 400		
L....2	62.03.0010	48 uR	2 A, Tokin nr. SN - 5 - 400		
L....3	62.03.0010	48 uR	2 A, Tokin nr. SN - 5 - 400		
F....2	54.02.0320	TeePoint			
F....3	54.02.0320	TeePoint			
F....4	54.02.0320	TeePoint			
F....5	54.02.0320	TeePoint			
F....6	54.02.0320	TeePoint			
F....7	54.02.0320	TeePoint			
F....8	54.02.0320	TeePoint			
F....9	54.02.0320	TeePoint			
F....10		see note 1			
F....11		see note 1			
F....12		see note 1			
F....13		see note 1			
F....14		see note 1			
F....15		see note 1			
F....16		see note 1			
F....17		see note 1			
F....18		see note 1			
F....19		see note 1			
F....20		see note 1			
F....21		see note 1			
F....22	54.02.0320	TeePoint			
F....23	54.02.0320	TeePoint			

S T U D E R (01) 89/08/07 BBT READ UNIT RT / TC PL 1.862.722.00 PAGE 3

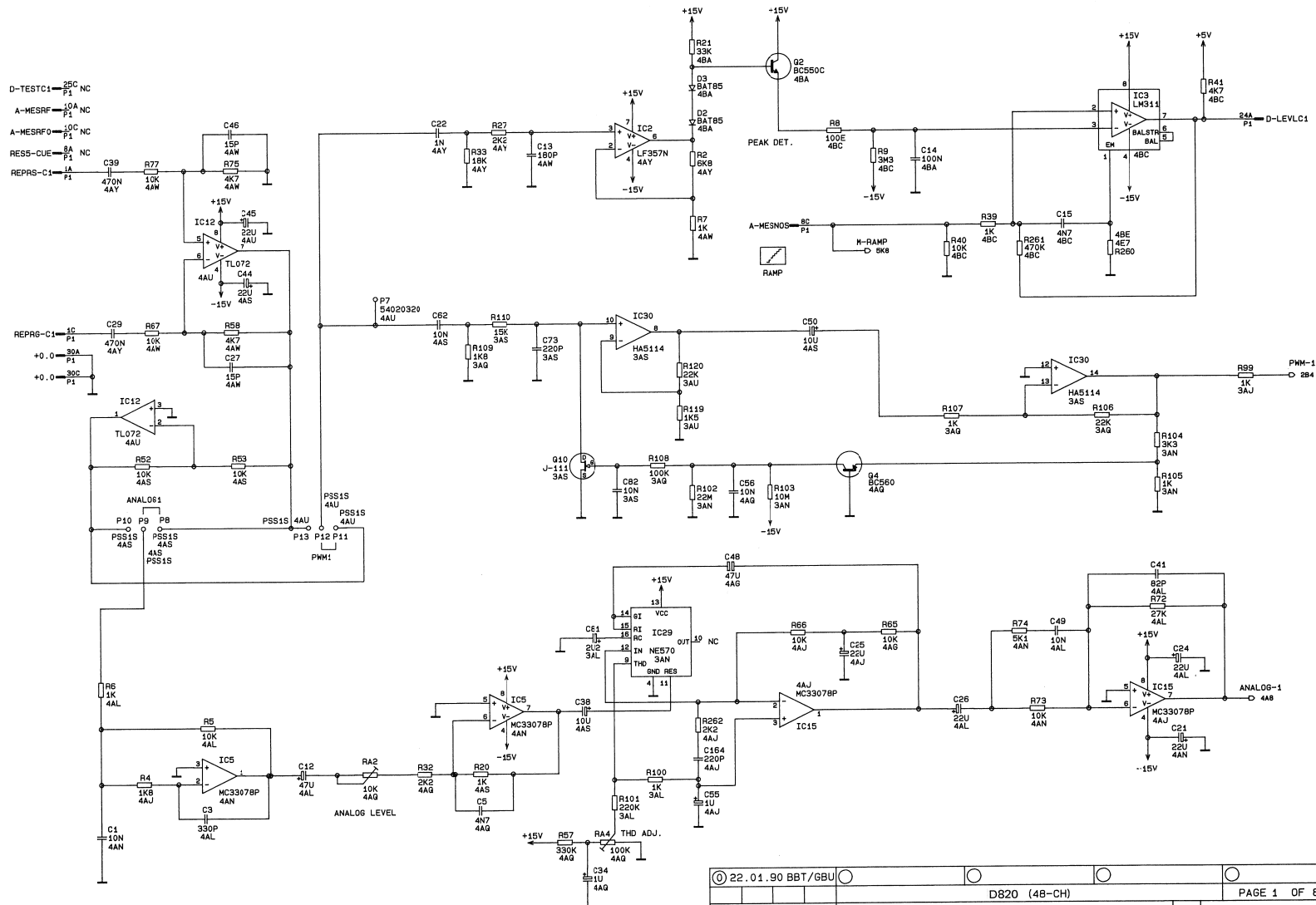
IND.	POS.NO.	PART NO.	VALUE	SPECIFICATIONS / EQUIVALENT	MANUF.
R....53	57.11.3103	10 kOhm	5K		
R....54	57.11.3102	1 kOhm	5K		
R....55	57.11.3103	10 kOhm	5K		
R....56					

BLOCK DIAGRAM READ UNIT CUE TRACKS



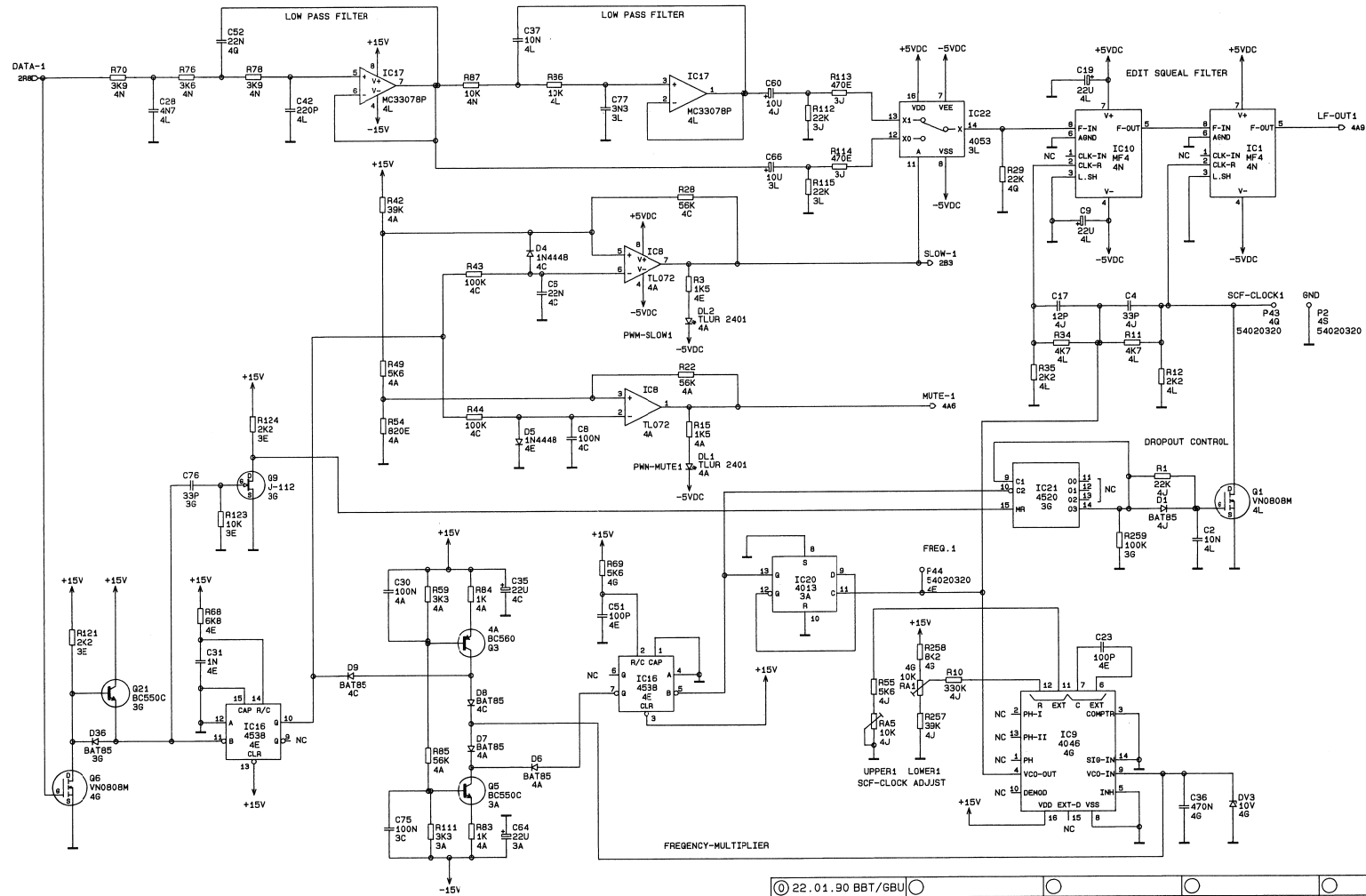
STUDER D820 MCH

READ UNIT CUE TRACKS 1.862.723.81



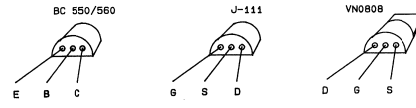
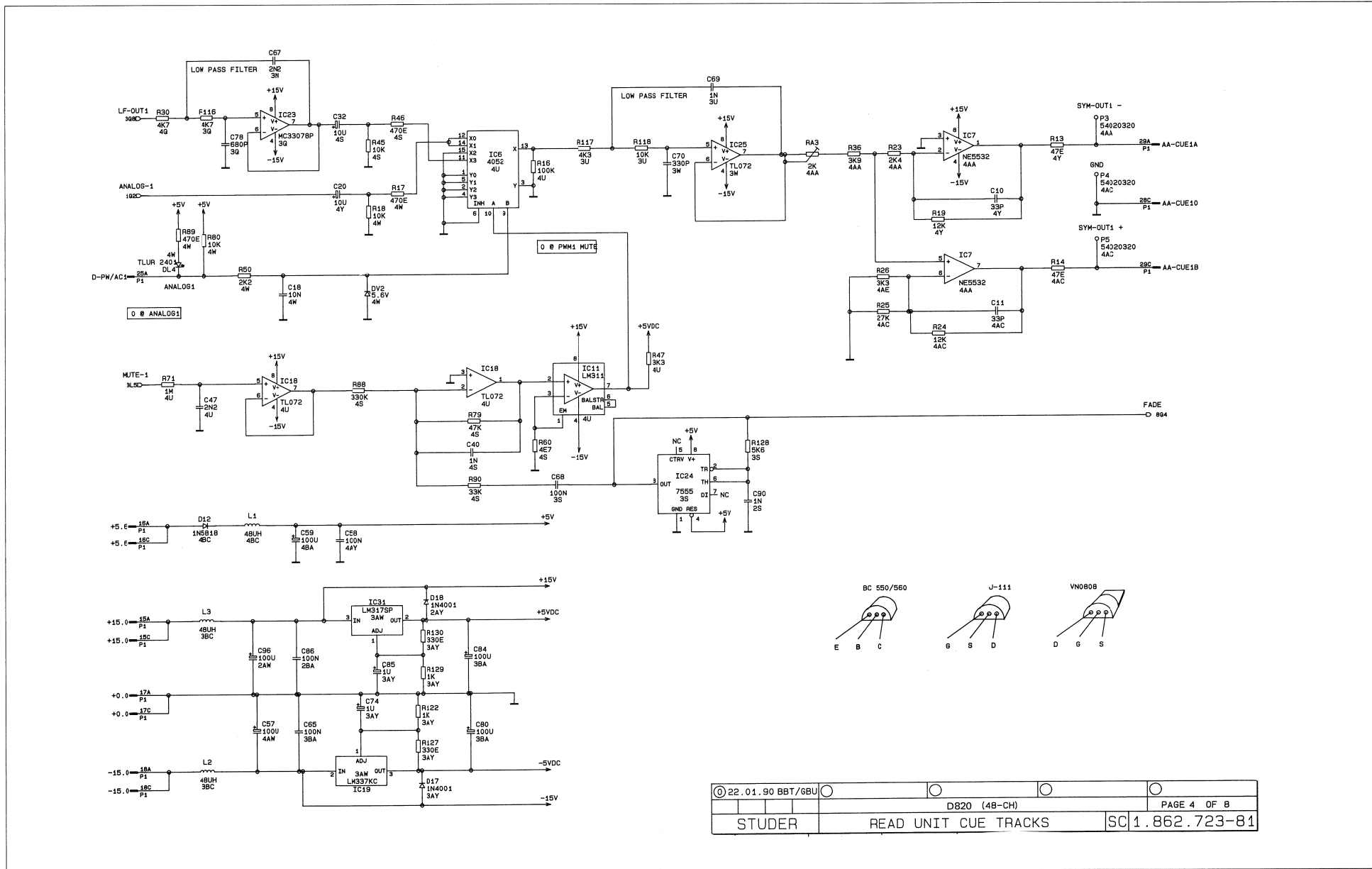
© 22.01.90 BBT/GBU	D820 (4B-CH)	PAGE 1 OF 8
STUDER	READ UNIT CUE TRACKS	SC 1.862.723-81

READ UNIT CUE TRACKS 1.862.723.81



© 22.01.90 BBT/GBU	D820 (48-CH)	PAGE 3 OF 8
STUDER	READ UNIT CUE TRACKS	SC 1.862.723-81

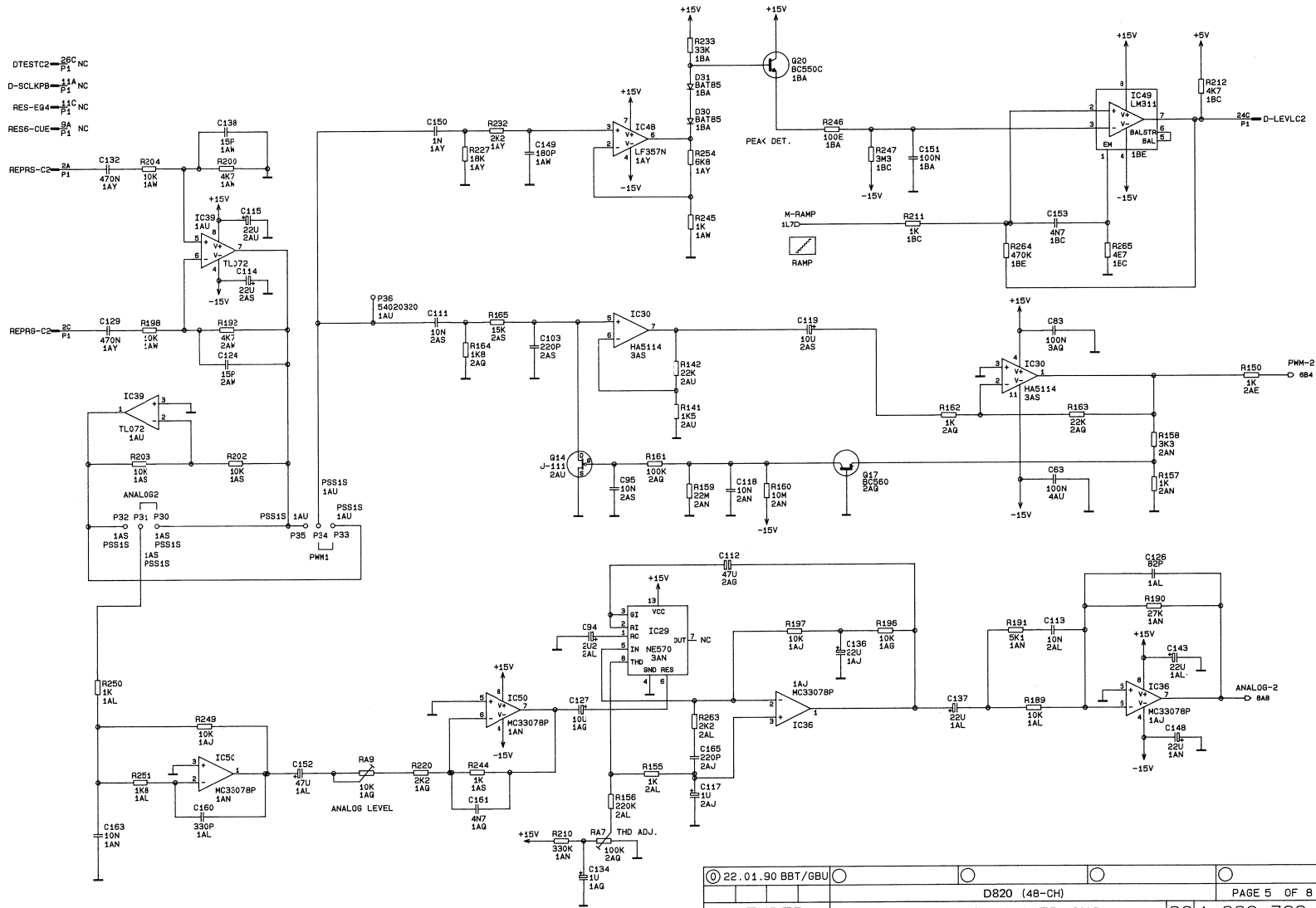
READ UNIT CUE TRACKS 1.862.723.81



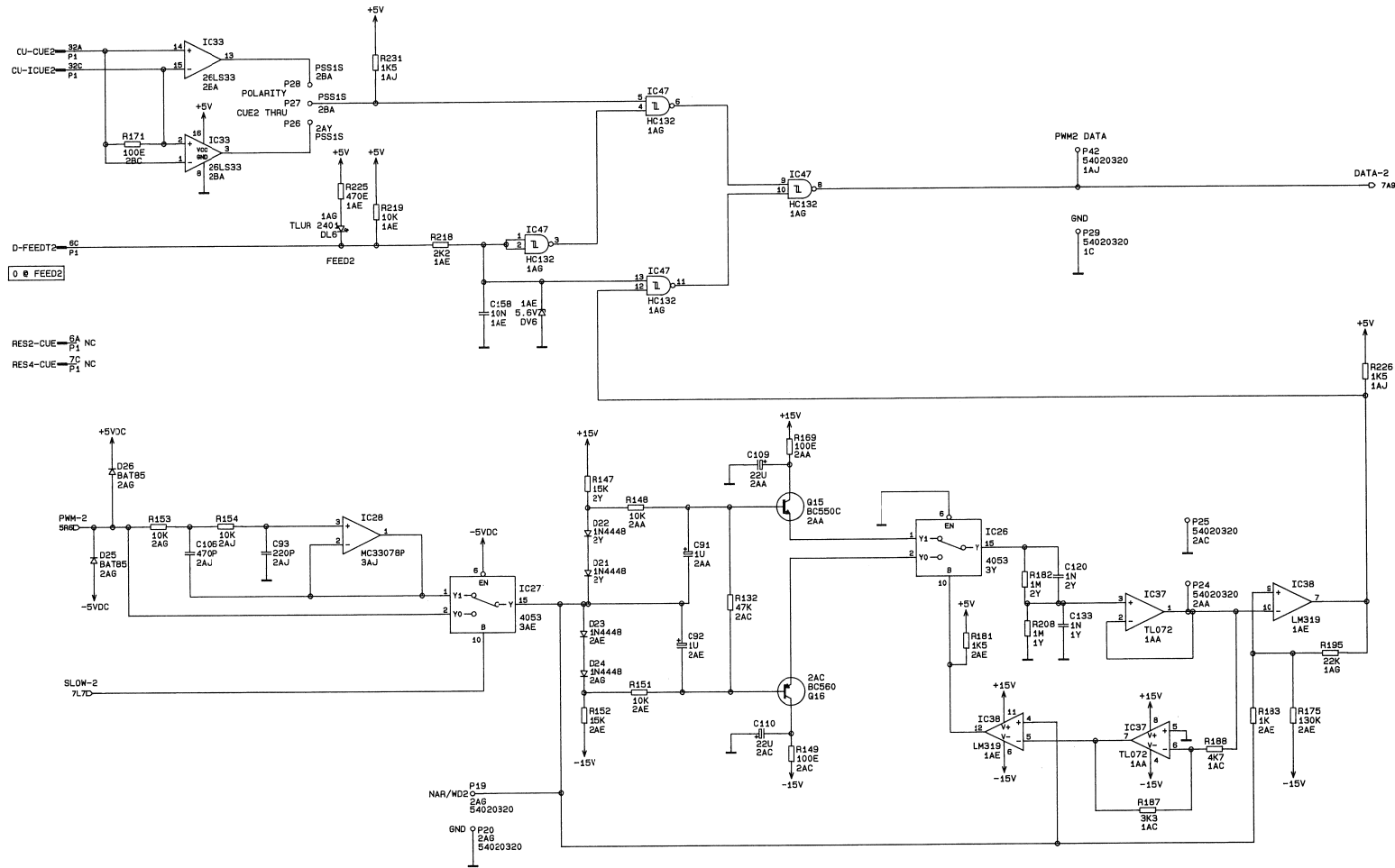
22.01.90 BBT/6BU	D820 (48-CH)	PAGE 4 OF 8
STUDER	READ UNIT CUE TRACKS	SC 1.862.723-81

STUDER D820 MCH

READ UNIT CUE TRACKS 1.862.723.81



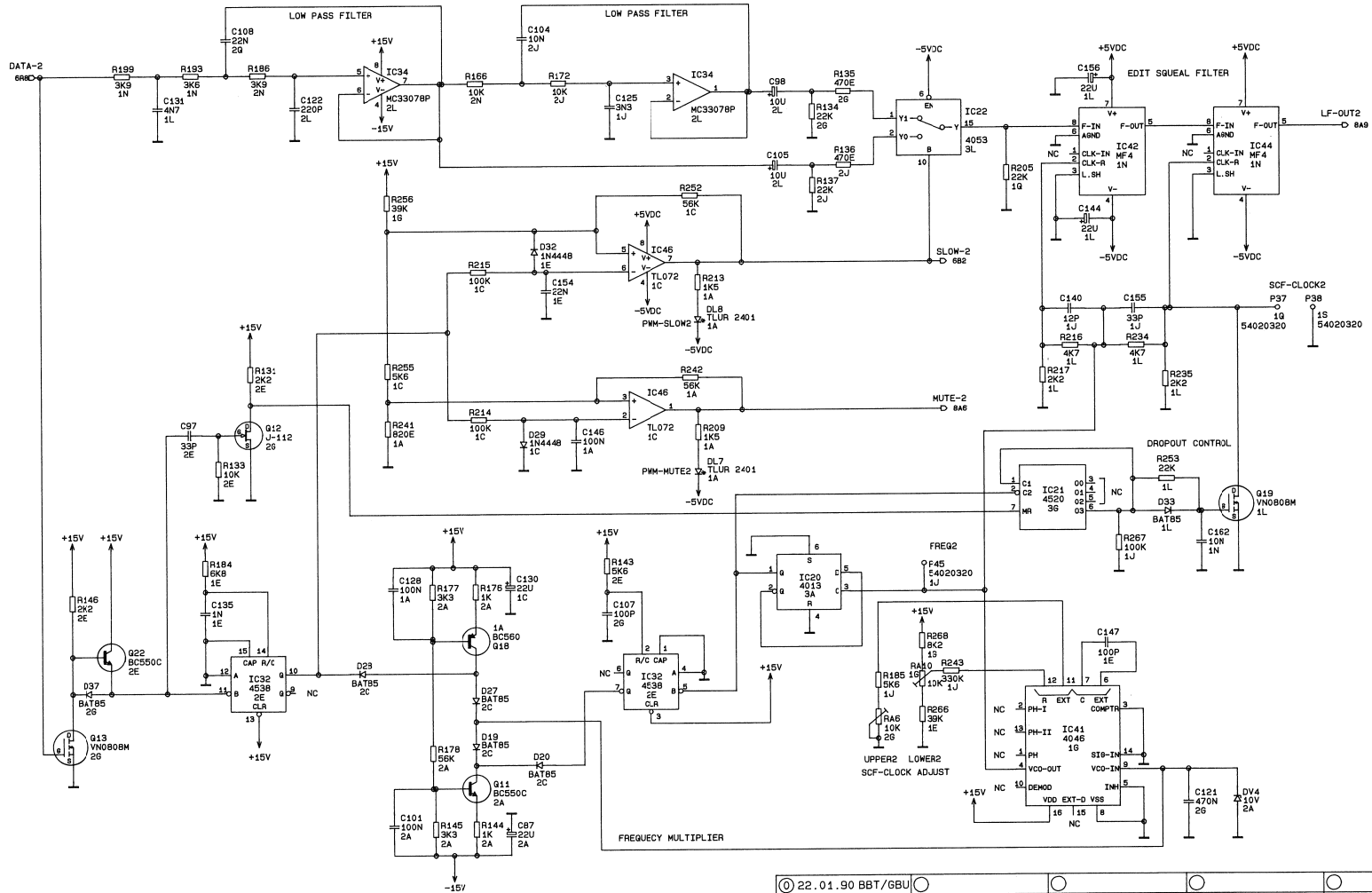
READ UNIT CUE TRACKS 1.862.723.81



© 22.01.90 BBT/GBU	D820 (48-CH)	PAGE 6 OF 8
STUDER	READ UNIT CUE TRACKS	SC 1.862.723-81

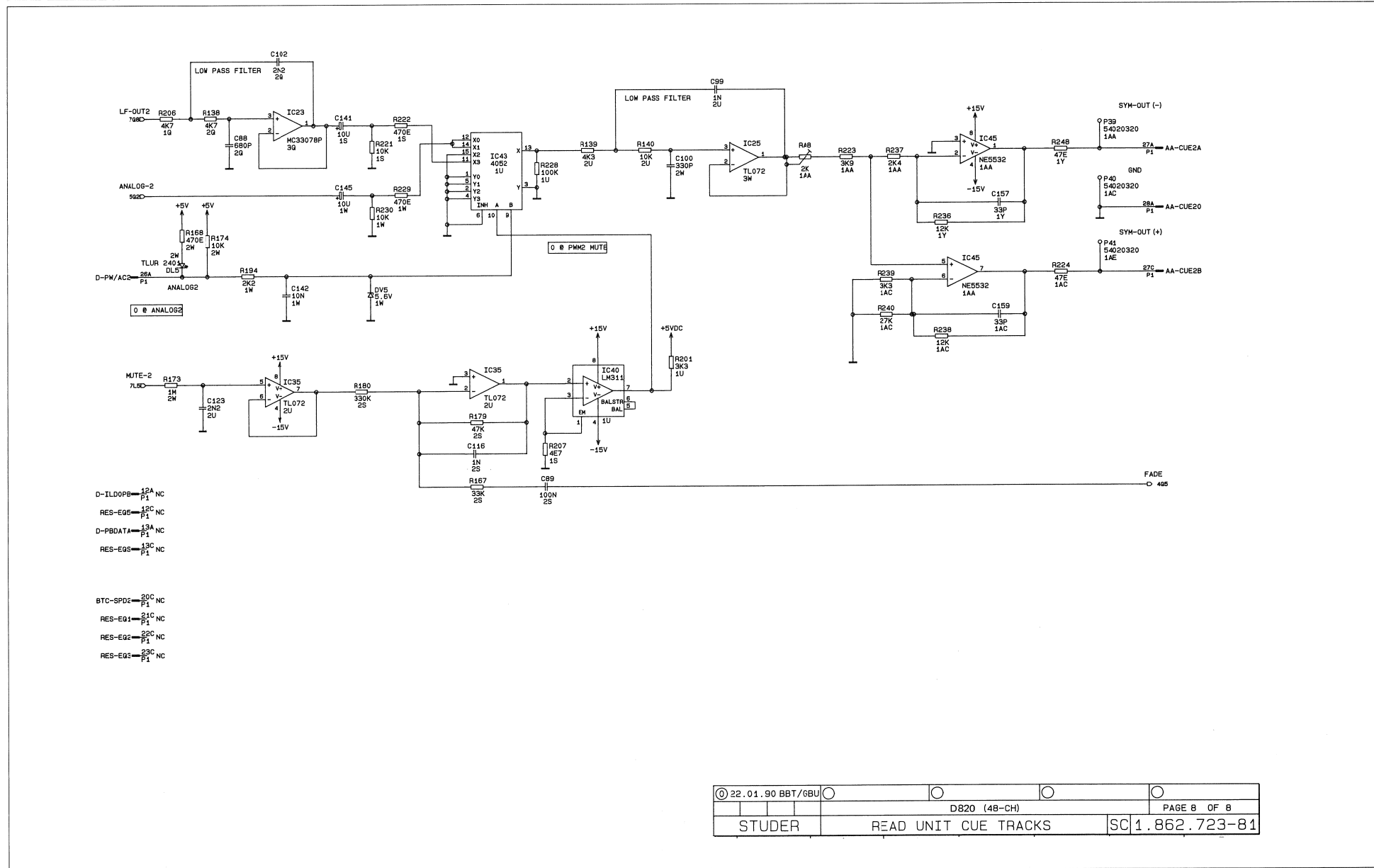
STUDER D820 MCH

READ UNIT CUE TRACKS 1.862.723.81

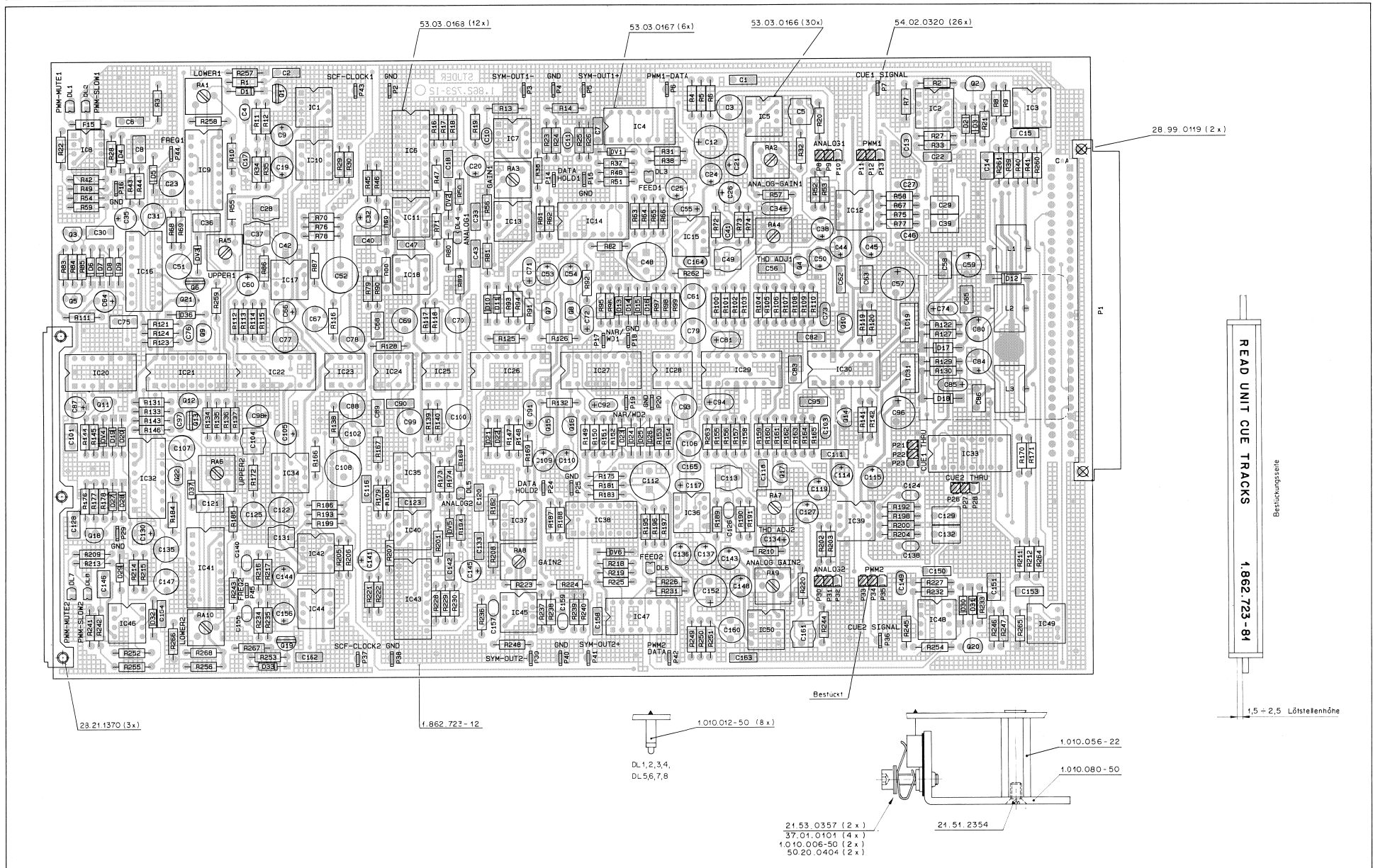


© 22.01.90 BBT/GBU	D820 (48-CH)	PAGE 7 OF 8
STUDER	READ UNIT CUE TRACKS	SC1.862.723-81

READ UNIT CUE TRACKS 1.862.723.81



READ UNIT CUE TRACKS 1.862.723.81



STUDER D820 MCH

READ UNIT CUE TRACKS 1.862.723.81

IND.	POS.NO.	PART NO.	VALUE	SPECIFICATIONS / EQUIVALENT	MANUF.	IND.	POS.NO.	PART NO.	VALUE	SPECIFICATIONS / EQUIVALENT	MANUF.	IND.	POS.NO.	PART NO.	VALUE	SPECIFICATIONS / EQUIVALENT	MANUF.		
C...	1	59.06.5103	10	af	5X, 63V, PETF		C...	112	59.09.0401	47	uf	10X, 16V, ELBip		C...	11	50.11.0114	LM 311	COMPANATOR	MS
C...	2	59.06.5103	10	af	10X, 63V, PETF		C...	113	59.05.1103	10	af	1X, 63V, PETF		C...	12	50.17.1132	MCH4C132	N 74 MC 132	MS
C...	3	59.05.1331	330	pf	1X, 63V, PETF		C...	114	59.22.5220	22	uf	20X, 25V, E1		C...	13	50.09.0117	MC 39078F		Met,MS,Ti
C...	4	59.34.2330	33	pf	5X, 63V, Cae		C...	115	59.22.5220	22	uf	20X, 25V, E1		C...	14	50.07.0024	CD 4052	SWITCHED CAPACITOR FILTER	Met,Ph,SS
C...	5	59.05.1472	4.7	uf	1X, 63V, PETF		C...	116	59.06.5102	10	af	5X, 63V, PETF		C...	15	59.09.0105	BE 5532H		Met,Ph,SS
C...	6	59.06.0223	22	uf	20X, 25V, E1		C...	117	59.21.5109	10	af	10X, 63V, SAl		C...	16	50.09.0118	TL 072 CP	TDB 0353 DP	Met,TL,SS,The
C...	7	59.06.5103	10	af	5X, 63V, PETF		C...	118	59.06.5103	10	af	5X, 63V, PETF		C...	17	50.07.0046	CD 4046	VCC	Met,Ph,SS,The
C...	8	59.06.0104	100	uf	10X, 63V, PETF		C...	119	59.21.5109	10	af	20X, 25V, E1		C...	18	50.11.0119	CD 4039	SWITCHED CAPACITOR FILTER	Met,Ph,SS
C...	9	59.22.5220	22	uf	20X, 25V, E1		C...	120	59.06.5102	10	af	5X, 63V, PETF		C...	19	50.11.0114	LM 311	COMPANATOR	MS
C...	10	59.34.2330	33	pf	5X, 63V, Cae		C...	121	59.06.0474	470	uf	10X, 63V, PETF		C...	20	50.09.0117	TL 072 CP	TDB 0353 DP	Met,TL,SS,The
C...	11	59.34.2330	33	pf	5X, 63V, Cae		C...	122	59.05.1221	220	pf	1X, 63V, PETF		C...	21	50.09.0121	TL 072 CP	TDB 0353 DP	Met,TL,SS,The
C...	12	59.22.5220	22	uf	20X, 25V, E1		C...	123	59.06.0223	2.2	uf	10X, 63V, PETF		C...	22	50.11.0132	LM 319 CP	DNA, COMPANATOR	MS
C...	13	59.34.4181	180	pf	5X, 63V, Cae		C...	124	59.34.1150	15	pf	5X, 63V, Cae		C...	23	50.09.0117	MC 39078F		Met
C...	14	59.06.0104	100	uf	10X, 63V, PETF		C...	125	59.21.5109	10	af	10X, 63V, SAl		C...	24	50.07.1338	CD 4039		Met
C...	15	59.06.5472	4.7	uf	5X, 63V, PETF		C...	126	59.34.4820	82	pf	5X, 63V, Cae		C...	25	50.09.0117	MC 39078F		Met
C...	16				not used		C...	127	59.21.5109	10	af	20X, 25V, E1		C...	26	50.09.0117	TL 072 CP	TDB 0353 DP	Met,TL,SS,The
C...	17	59.34.1120	12	pf	5X, 63V, Cae		C...	128	59.06.0104	100	uf	10X, 63V, PETF		C...	27	50.15.0195	LM 378TC	REGULATOR	Th,MS
C...	18	59.06.5103	10	af	5X, 63V, PETF		C...	129	59.06.0474	470	uf	10X, 63V, PETF		C...	28	50.07.0013	CD 4053		Met
C...	19	59.22.5220	22	uf	20X, 25V, E1		C...	130	59.22.5220	22	uf	20X, 25V, E1		C...	29	50.07.0020	CD 4820		Met,Ph,SS
C...	20	59.22.5101	10	af	20X, 25V, E1		C...	131	59.06.0472	4.7	uf	1X, 63V, PETF		C...	30	50.07.0013	CD 4053		Met
C...	21	59.22.5220	22	uf	20X, 25V, E1		C...	132	59.06.0474	470	uf	10X, 63V, PETF		C...	31	50.09.0117	MC 39078F		Met
C...	22	59.06.5102	10	af	5X, 63V, PETF		C...	133	59.06.0102	10	af	5X, 63V, PETF		C...	32	50.07.0036	ICM 7555	Intercell	Met
C...	23	59.05.1101	100	pf	1X, 63V, PETF		C...	134	59.26.5109	10	af	20X, 16V, SAl		C...	33	50.09.0121	TL 072 CP	TDB 0353 DP	Met,TL,SS,The
C...	24	59.22.5220	22	uf	20X, 25V, E1		C...	135	59.22.5220	22	uf	20X, 25V, E1		C...	34	50.09.0117	MC 39078F		Met
C...	25	59.22.5220	22	uf	20X, 25V, E1		C...	136	59.22.5220	22	uf	20X, 25V, E1		C...	35	50.07.0015	CD 4053		Met,Ph,SS
C...	26	59.22.5220	22	uf	20X, 25V, E1		C...	137	59.22.5220	22	uf	20X, 25V, E1		C...	36	50.09.0117	MC 39078F		Met
C...	27	59.34.1150	15	pf	5X, 63V, Cae		C...	138	59.34.1150	15	pf	5X, 63V, Cae		C...	37	50.07.0015	CD 4053		Met
C...	28	59.06.0104	100	uf	10X, 63V, PETF		C...	139			not used		C...	38	50.09.0117	MC 39078F		Met	
C...	29	59.06.0474	470	uf	10X, 63V, PETF		C...	140	59.34.1120	12	pf	5X, 63V, Cae		C...	39	50.11.0134	NE 570	COMPANATOR	MS
C...	30	59.06.0104	100	uf	10X, 63V, PETF		C...	141	59.21.5109	10	af	20X, 25V, E1		C...	40	50.09.0117	ICM 5114	SIGNAL AMP	Met
C...	31	59.05.1102	10	af	1X, 63V, PETF		C...	142	59.06.5103	10	af	20X, 25V, E1		C...	41	50.15.0194	LM 317TF	REGULATOR	Th,MS
C...	32	59.22.6100	10	af	20X, 25V, E1		C...	143	59.21.5109	10	af	20X, 25V, E1		C...	42	50.07.1338	CD 4039		Met
C...	33	59.06.5102	10	af	5X, 63V, PETF		C...	144	59.22.5220	22	uf	20X, 25V, E1		C...	43	50.15.0199	AMPOL33C	N DS 26 LS 33 PC	AMP,MS
C...	34	59.26.5109	10	af	20X, 16V, SAl		C...	145	59.21.5109	10	af	20X, 25V, E1		C...	44	50.09.0117	MC 39078F		Met
C...	35	59.06.5102	10	af	5X, 63V, PETF		C...	146	59.06.0104	100	uf	10X, 63V, PETF		C...	45	50.09.0121	TL 072 CP	TDB 0353 DP	Met,TL,SS,The
C...	36	59.22.5220	22	uf	20X, 25V, E1		C...	147	59.06.0104	100	uf	10X, 63V, PETF		C...	46	50.11.0132	LM 319	COMPANATOR	MS
C...	37	59.06.0474	470	uf	10X, 63V, PETF		C...	148	59.22.5220	22	uf	20X, 25V, E1		C...	47	50.09.0117	TL 072 CP	TDB 0353 DP	Met,TL,SS,The
C...	38	59.05.1103	10	af	1X, 63V, PETF		C...	149	59.22.5220	22	uf	20X, 25V, E1		C...	48	50.09.0121	TL 072 CP	TDB 0353 DP	Met,TL,SS,The

S T U D E R (00) 90/01/22 BBT READ UNIT CUE TRACKS PL 1.862.723.81 PAGE 1 S T U D E R (00) 90/01/22 BBT READ UNIT CUE TRACKS PL 1.862.723.81 PAGE 4 S T U D E R (00) 90/01/22 BBT READ UNIT CUE TRACKS PL 1.862.723.81 PAGE 7 S T U D E R (00) 90/01/22 BBT READ UNIT CUE TRACKS PL 1.862.723.81 PAGE 10

IND.	POS.NO.	PART NO.	VALUE	SPECIFICATIONS / EQUIVALENT	MANUF.	IND.	POS.NO.	PART NO.	VALUE	SPECIFICATIONS / EQUIVALENT	MANUF.	IND.	POS.NO.	PART NO.	VALUE	SPECIFICATIONS / EQUIVALENT	MANUF.		
C...	39	59.22.6100	10	af	20X, 25V, E1		C...	149	59.06.4181	180	pf	5X, 63V, Cae		C...	49	50.11.0114	LM 311	COMPANATOR	MS
C...	40	59.06.0474	470	uf	10X, 63V, PETF		C...	150	59.06.5102	10	af	5X, 63V, PETF		C...	50	50.07.0046	CD 4046	VCC	Met,Ph,SS,The
C...	41	59.06.5102	10	af	5X, 63V, PETF		C...	151	59.26.5109	10	af	20X, 16V, SAl		C...	51	50.11.0135	NE 560 E		Met,Ph,SS
C...	42	59.05.1221	220	pf	1X, 63V, PETF		C...	152	59.06.0223	2.2	uf	10X, 63V, PETF		C...	52	50.07.0024	CD 4052	SWITCHED CAPACITOR FILTER	Met,Ph,SS
C...	43	59.06.5102	10	af	5X, 63V, PETF		C...	153	59.06.5472	4.7	uf	5X, 63V, PETF		C...	53	50.09.0118	BE 5532H		Met,Ph,SS
C...	44	59.22.5220	22	uf	20X, 25V, E1		C...	154	59.06.0104	100	uf	10X, 63V, PETF		C...	54	50.09.0119	TL 072 CP	TDB 0353 DP	Met,Ph,SS,The
C...	45	59.22.5220	22	uf	20X, 25V, E1		C...	155	59.34.2330	33	pf	5X, 63V, Cae		C...	55	50.09.0117	MC 39078F		Met
C...	46	59.34.1150	15	pf	5X, 63V, Cae		C...	156	59.06.0104	100	uf	10X, 63V, PETF		C...	56	50.11.0132	MCH4C132	N 74 MC 132	MS
C...	47	59.06.0223	2.2	uf	10X, 63V, PETF		C...	157	59.34.2330	33	pf	5X, 63V, Cae		C...	57	50.09.0117	TL 072 CP	TDB 0353 DP	Met,MS,Ti
C...	48	59.09.0401	47	uf	10X, 16V, ELBip		C...	158	59.06.5103	10	af	5X, 63V, PETF		C...	58	50.11.0114	LM 311	COMPANATOR	MS
C...	49	59.05.1103	10	af	1X, 63V, PETF		C...	159	59.34.2330	33	pf	5X, 63V, Cae		C...	59	50.09.0117	MC 39078F		Met
C...	50	59.22.6100	10	af	20X, 25V, E1		C...	160	59.05.1221	220	pf	1X, 63V, PETF		L...	1	62.03.0010	47	uf	2 A Tokin m. SM - 5 - 400
C...	51	59.05.1103	10	af	1X, 63V, PETF		C...	161	59.05.1221	220	pf	1X, 63V, PETF		L...	2	62.03.0010	47	uf	2 A Tokin m. SM - 5 - 400
C...	52	59.05.1223	22	uf	1X, 63V, PETF		C...	162	59.06.5103	10	af	5X, 63V, PETF		L...	3	62.03.0010	47	uf	2 A Tokin m. SM - 5 - 400
C...	53	59.22.5220	22	uf	20X, 25V, E1		C...	163	59.06.5103	10	af	5X, 63V, PETF		F...	1	94.01.0020	*** note 1	Met	
C...	54	59.22.5220	22	uf	20X, 25V, E1		C...	164	59.34.4221	220	pf	20X, 63V, Cae		F...	2	94.01.0020	*** note 1	Met	
C...	55	59.26.5109	10	af	20X, 16V, SAl		D...	1	50.04.0127	BAT 85		SES,Th	F...	3	94.01.0020	*** note 1	Met		
C...	56	59.06.5103	10	af	5X, 63V, PETF		D...	2	50.04.0127	BAT 85		SES,Th	F...	4	94.01.0020	*** note 1	Met		
C...	57	59.22.6100	10	af	20X, 25V, E1		D...	3	50.04.0127	BAT 85		SES,Th	F...	5	94.01.0020	*** note 1	Met		
C...	58	59.06.0104	100	uf	10X, 63V, PETF		D...	4	50.04.0128	184648		Fe,ITT,Ph,SES,Th	F...	6	94.01.0020	*** note 1	Met		
C...	59	59.22.5103	10	af	20X, 25V, E1		D...	5	50.04.0128	184648		Fe,ITT,Ph							

READ UNIT CUE TRACKS 1.862.723.81

IND.	POS.NO.	PART NO.	VALUE	SPECIFICATIONS / EQUIVALENT	MANUF.	IND.	POS.NO.	PART NO.	VALUE	SPECIFICATIONS / EQUIVALENT	MANUF.
R..128	57.11.3562	5.6 kOhm	1X			R...239	57.11.3332	3.3 kOhm	1X		
R..129	57.11.3102	1 kOhm	1X			R...240	57.11.3273	27 kOhm	2X		
R..130	57.11.3331	330 Ohm	1X			R...241	57.11.3821	820 Ohm	1X		
R..131	57.11.3222	2.2 kOhm	2X			R...242	57.11.3563	56 kOhm	2X		
R..132	57.11.3473	47 kOhm	5X			R...243	57.11.3334	330 kOhm	5X		
R..133	57.11.3103	10 kOhm	2X			R...244	57.11.3103	1 kOhm	1X		
R..134	57.11.3223	22 kOhm	2X			R...245	57.11.3102	1 kOhm	2X		
R..135	57.11.3471	470 Ohm	2X			R...246	57.11.3101	100 Ohm	5X		
R..136	57.11.3471	470 Ohm	2X			R...247	57.11.5335	3.3 MOhm	10X		
R..137	57.11.3223	22 kOhm	2X			R...248	57.11.3470	47 Ohm	5X		
R..138	57.11.3472	4.7 kOhm	1X			R...249	57.11.3103	10 kOhm	1X		
R..139	57.11.3432	4.3 kOhm	1X			R...250	57.11.3102	1 kOhm	1X		
R..140	57.11.3103	10 kOhm	1X			R...251	57.11.3182	1.8 kOhm	1X		
R..141	57.11.3152	1.5 kOhm	2X			R...252	57.11.3563	56 kOhm	2X		
R..142	57.11.3223	22 kOhm	2X			R...253	57.11.3223	22 kOhm	2X		
R..143	57.11.3562	5.6 kOhm	1X			R...254	57.11.3682	6.8 kOhm	2X		
R..144	57.11.3102	1 kOhm	2X			R...255	57.11.3562	5.6 kOhm	2X		
R..145	57.11.3332	3.3 kOhm	2X			R...256	57.11.3393	39 kOhm	2X		
R..146	57.11.3222	2.2 kOhm	2X			R...257	57.11.3393	39 kOhm	2X		
R..147	57.11.3153	15 kOhm	2X			R...258	57.11.3822	8.2 kOhm	2X		
R..148	57.11.3103	10 kOhm	2X			R...259	57.11.3104	100 kOhm	5X		
R..149	57.11.3101	100 Ohm	5X			R...260	57.11.3479	4.7 Ohm	2X		
R..150	57.11.3102	1 kOhm	2X			R...261	57.11.3474	470 kOhm	2X		
R..151	57.11.3103	10 kOhm	2X			R...262	57.11.3222	2.2 kOhm	5X		
R..152	57.11.3153	15 kOhm	2X			R...263	57.11.3222	2.2 kOhm	5X		
R..153	57.11.3103	10 kOhm	1X			R...264	57.11.3474	470 kOhm	2X		
R..154	57.11.3103	10 kOhm	1X			R...265	57.11.3479	4.7 Ohm	2X		
R..155	57.11.3102	1 kOhm	2X			R...266	57.11.3393	39 kOhm	2X		
R..156	57.11.3224	220 kOhm	5X			R...267	57.11.3104	100 kOhm	5X		
R..157	57.11.3102	1 kOhm	2X			R...268	57.11.3822	8.2 kOhm	2X		
R..158	57.11.3332	3.3 kOhm	2X			RA...1	58.01.8103	10 kOhm	10X		
R..159	57.11.6226	22 MOhm	10X			RA...2	58.01.8103	10 kOhm	10X		
R..160	57.11.3106	10 MOhm	10X			RA...3	58.01.8202	2 kOhm	10X		
R..161	57.11.3104	100 kOhm	5X			RA...4	58.01.8104	100 kOhm	10X		
R..162	57.11.3102	1 kOhm	2X			RA...5	58.01.8103	10 kOhm	10X		
R..163	57.11.3223	22 kOhm	2X			RA...6	58.01.8103	10 kOhm	10X		
R..164	57.11.3182	1.8 kOhm	2X								

S T U D E R (00) 90/01/22 BBT READ UNIT CUE TRACKS PL 1.862.723.81 PAGE 13 S T U D E R (00) 90/01/22 BBT READ UNIT CUE TRACKS PL 1.862.723.81 PAGE 16

IND.	POS.NO.	PART NO.	VALUE	SPECIFICATIONS / EQUIVALENT	MANUF.	IND.	POS.NO.	PART NO.	VALUE	SPECIFICATIONS / EQUIVALENT	MANUF.
R..165	57.11.3153	15 kOhm	2X			RA...7	58.01.8104	100 kOhm	10X		
R..166	57.11.3103	10 kOhm	1X			RA...8	58.01.8202	2 kOhm	10X		
R..167	57.11.3333	33 kOhm	2X			RA...9	58.01.8103	10 kOhm	10X		
R..168	57.11.3471	470 Ohm	2X			RA...10	58.01.8103	10 kOhm	10X		
R..169	57.11.3101	100 Ohm	5X								
R..170	57.11.3101	100 Ohm	5X								
R..171	57.11.3101	100 Ohm	5X								
R..172	57.11.3103	10 kOhm	1X								
R..173	57.11.3105	1 MOhm	5X								
R..174	57.11.3103	10 kOhm	2X								
R..175	57.11.3134	130 kOhm	1X								
R..176	57.11.3102	1 kOhm	2X								
R..177	57.11.3332	3.3 kOhm	2X								
R..178	57.11.3563	56 kOhm	2X								
R..179	57.11.3473	47 kOhm	5X								
R..180	57.11.3334	330 kOhm	5X								
R..181	57.11.3152	1.5 kOhm	2X								
R..182	57.11.3105	1 MOhm	5X								
R..183	57.11.3102	1 kOhm	2X								
R..184	57.11.3682	6.8 kOhm	1X								
R..185	57.11.3562	5.6 kOhm	2X								
R..186	57.11.3392	3.9 kOhm	1X								
R..187	57.11.3332	3.3 kOhm	2X								
R..188	57.11.3472	4.7 kOhm	2X								
R..189	57.11.3103	10 kOhm	1X								
R..190	57.11.3273	27 kOhm	1X								
R..191	57.11.3512	5.1 kOhm	1X								
R..192	57.11.3472	4.7 kOhm	1X								
R..193	57.11.3362	3.6 kOhm	1X								
R..194	57.11.3222	2.2 kOhm	2X								
R..195	57.11.3223	22 kOhm	2X								
R..196	57.11.3103	10 kOhm	2X								
R..197	57.11.3103	10 kOhm	2X								
R..198	57.11.3103	10 kOhm	1X								
R..199	57.11.3392	3.9 kOhm	1X								
R..200	57.11.3472	4.7 kOhm	1X								
R..201	57.11.3332	3.3 kOhm	2X								

Note 1 - Contact pin: Studer Nr. 54.01.0020
 Berg Nr. 75 160-102-36
 Philips Nr. 2422 025 89303
 Bridge: Studer Nr. 54.01.0021
 Berg Nr. 65 474-001
 Philips Nr. 2422 024 88003

Cer=Ceramic, El=Electrolytic, Sal=Solid aluminum, PETP=Polyesterfilm,
 PP=Polypropylen.
 MANUFACTURER: AMD=Advanced Micro Devices, Fc=Fairchild, ITT=Intermetall,
 Is=Intersil, Mot=Motorola, NS=National Semiconductors,
 Ph=Philips, RCA=Radio Corporation of America, SES=Secosens,
 SGS=SGS/Ates, Si=Siemens, Six=Siliconix, Tf=Telefunken,
 Tho=Thomson, TI=Texas Instruments.

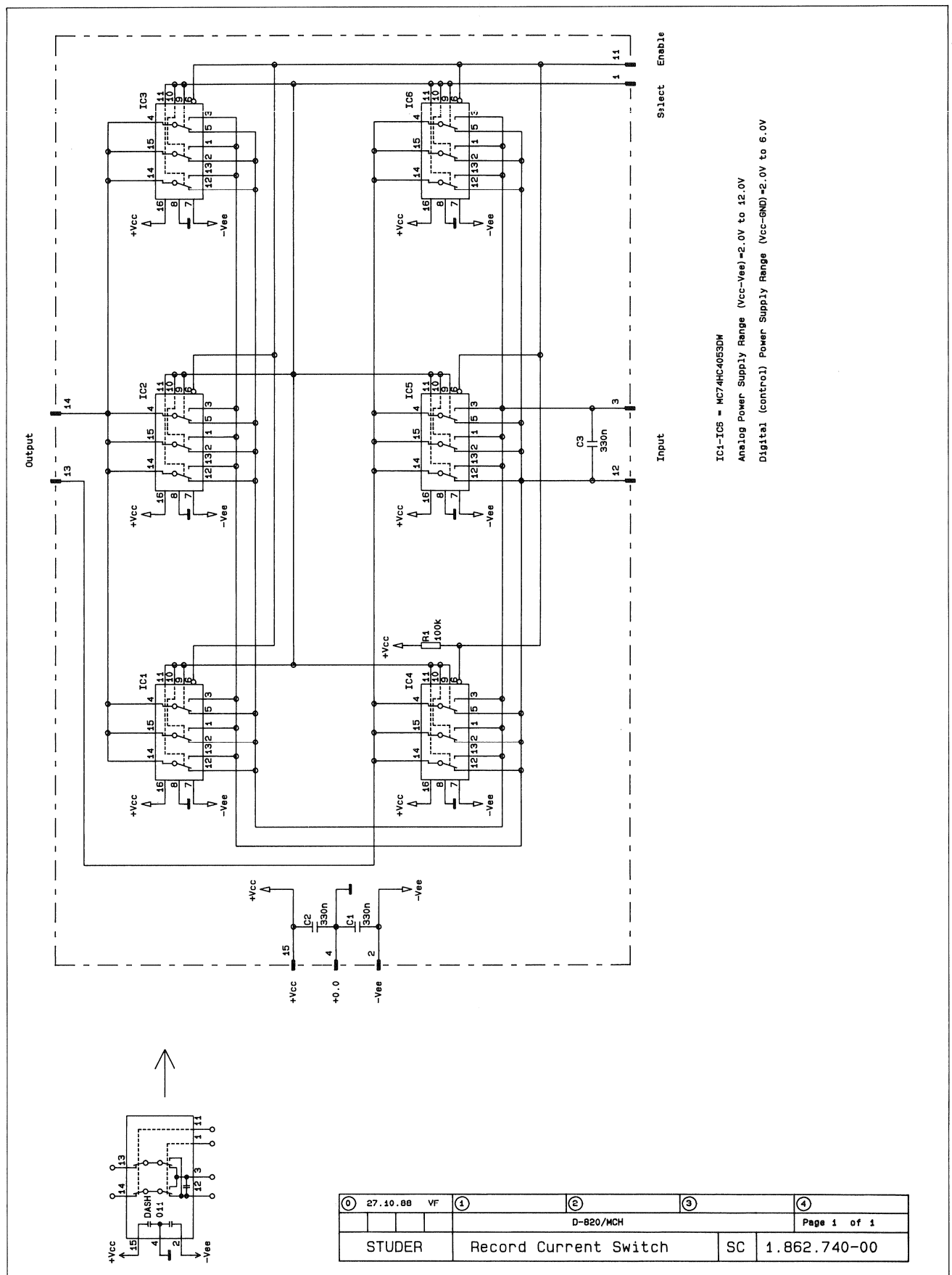
ORIS 90/01/22

S T U D E R (00) 90/01/22 BBT READ UNIT CUE TRACKS PL 1.862.723.81 PAGE 14 S T U D E R (00) 90/01/22 BBT READ UNIT CUE TRACKS PL 1.862.723.81 PAGE 17

IND.	POS.NO.	PART NO.	VALUE	SPECIFICATIONS / EQUIVALENT	MANUF.
R..202	57.11.3103	10 kOhm	2X		
R..203	57.11.3103	10 kOhm	2X		
R..204	57.11.3103	10 kOhm	1X		
R..205	57.11.3223	22 kOhm	2X		
R..206	57.11.3472	4.7 kOhm	1X		
R..207	57.11.3479	4.7 Ohm	5X		
R..208	57.11.3105	1 MOhm	2X		
R..209	57.11.3152	1.5 kOhm	2X		
R..210	57.11.3334	330 kOhm	5X		
R..211	57.11.3102	1 kOhm	2X		
R..212	57.11.3472	4.7 kOhm	2X		
R..213	57.11.3152	1.5 kOhm	2X		
R..214	57.11.3104	100 kOhm	5X		
R..215	57.11.3104	100 kOhm	5X		
R..216	57.11.3472	4.7 kOhm	2X		
R..217	57.11.3222	2.2 kOhm	2X		
R..218	57.11.3222	2.2 kOhm	2X		
R..219	57.11.3103	10 kOhm	2X		
R..220	57.11.3222	2.2 kOhm	5X		
R..221	57.11.3103	10 kOhm	2X		
R..222	57.11.3471	470 Ohm	2X		
R..223	57.11.3392	3.9 KOHM	2X		
R..224	57.11.3470	47 Ohm	5X		
R..225	57.11.3471	470 Ohm	2X		
R..226	57.11.3182	1.8 kOhm	2X		
R..227	57.11.3183	1.8 kOhm	2X		
R..228	57.11.3104	100 kOhm	5X		
R..229	57.11.3471	470 Ohm	2X		
R..230	57.11.3103	10 kOhm	2X		
R..231	57.11.3152	1.5 kOhm	2X		
R..232	57.11.3222	2.2 kOhm	2X		
R..233	57.11.3333	33 kOhm	2X		
R..234	57.11.3472	4.7 kOhm	2X		
R..235	57.11.3222	2.2 kOhm	2X		
R..236	57.11.3133	13 kOhm	1X		
R..237	57.11.3242	2.4 kOhm	1X		
R..238	57.11.3123	12 kOhm	1X		

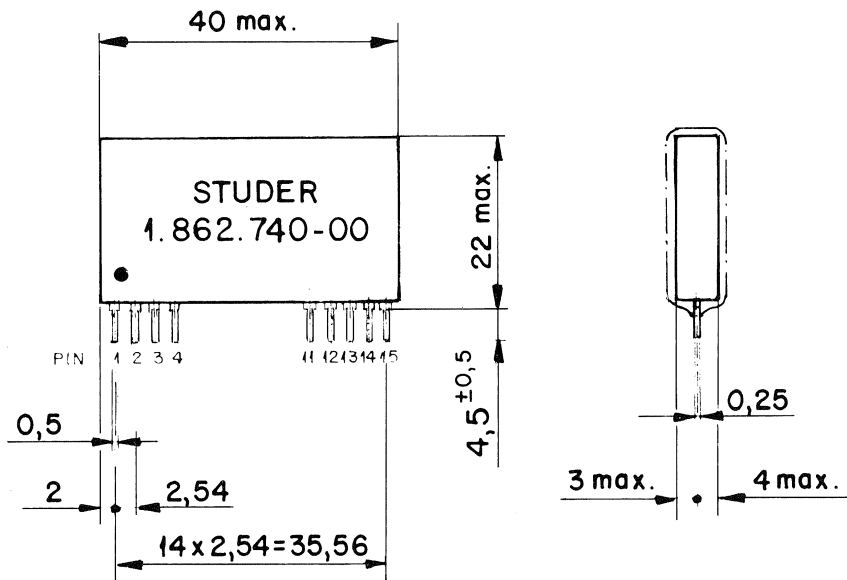
S T U D E R (00) 90/01/22 BBT READ UNIT CUE TRACKS PL 1.862.723.81 PAGE 15

RECORD CURRENT SWITCH 1.862.740.00



27.10.88	VF				
STUDER			Record Current Switch		SC 1.862.740-00
D-820/MCH				Page 1 of 1	

RECORD CURRENT SWITCH 1.862.740.00



Verlustleistung: total max. 0,3 W dauernd

Umgebungstemperatur: 0 bis 70°C

Komponenten:

- 6x MC 74 HC 4053 DW(SOIC) , Motorola
- 3x 330 nF/63 V, multilayer capacitor (Studer Nr. 59.60.1334):
2220 2B 334 K 9 A A, Philips
- B37 956-K 5334 - K62, Siemens
- 1x 100 kΩ resistor (Studer Nr. 57.60.1104)
MMA 0204- 50 Beyschlag

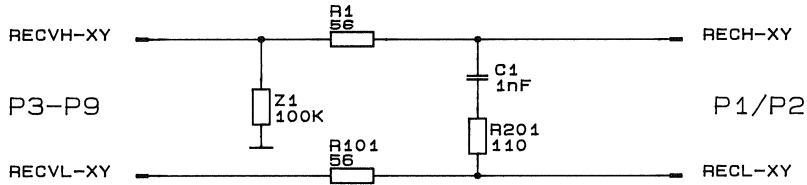
Träger: Keramik

Oberfläche: — — — Schutzlack beschichtet und bedruckt.

Schema, Pinbelegung: siehe Beiblatt

geprüft nach PV 1.862.740-00

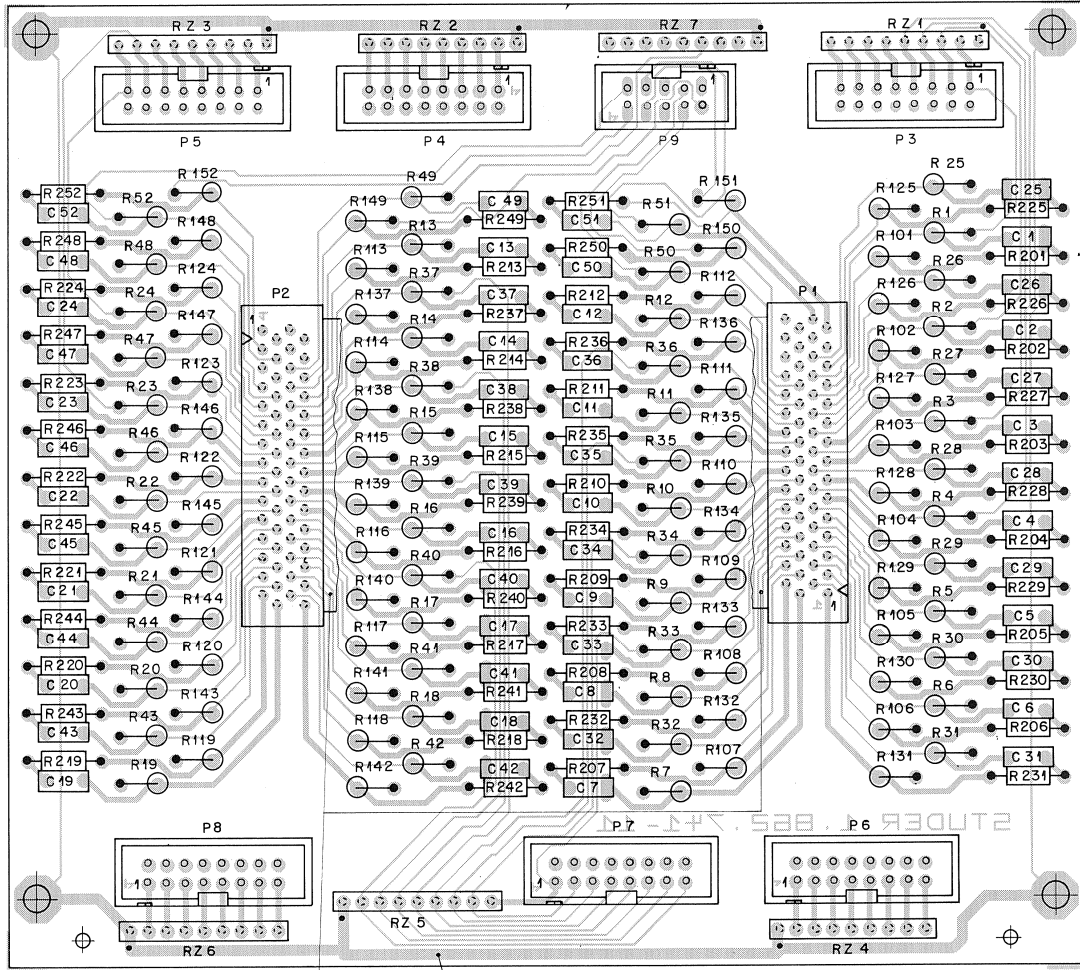
JUNCTION BOARD PRIMARY RECORD 48 CH 1.862.741.00



CH1	R1	R101	R201	C1
...
CH48	R48	R148	R248	C48
RT	R49	R149	R249	C49
TC	R50	R150	R250	C50
CU1	R51	R151	R251	C51
CU2	R52	R152	R252	C52

© 18.5.89 IVA	○	○	○	○
BAUGRUPPE			PAGE 1 OF 1	
STUDER	JUNCTION BOARD REC 48 CH		SC	1.862.741.00

JUNCTION BOARD PRIMARY RECORD 48 CH 1.862.741.00



1.862.405-01

1.862.741-11

IND.	POS.NO.	PART NO.	VALUE	SPECIFICATIONS / EQUIVALENT	MANUF.	IND.	POS.NO.	PART NO.	VALUE	SPECIFICATIONS / EQUIVALENT	MANUF.
C....1	59.40.0102	1 nF	10%, 63V	PETP		C....38	59.40.0102	1 nF	10%, 63V	PETP	
C....2	59.40.0102	1 nF	10%, 63V	PETP		C....39	59.40.0102	1 nF	10%, 63V	PETP	
C....3	59.40.0102	1 nF	10%, 63V	PETP		C....40	59.40.0102	1 nF	10%, 63V	PETP	
C....4	59.40.0102	1 nF	10%, 63V	PETP		C....41	59.40.0102	1 nF	10%, 63V	PETP	
C....5	59.40.0102	1 nF	10%, 63V	PETP		C....42	59.40.0102	1 nF	10%, 63V	PETP	
C....6	59.40.0102	1 nF	10%, 63V	PETP		C....43	59.40.0102	1 nF	10%, 63V	PETP	
C....7	59.40.0102	1 nF	10%, 63V	PETP		C....44	59.40.0102	1 nF	10%, 63V	PETP	
C....8	59.40.0102	1 nF	10%, 63V	PETP		C....45	59.40.0102	1 nF	10%, 63V	PETP	
C....9	59.40.0102	1 nF	10%, 63V	PETP		C....46	59.40.0102	1 nF	10%, 63V	PETP	
C....10	59.40.0102	1 nF	10%, 63V	PETP		C....47	59.40.0102	1 nF	10%, 63V	PETP	
C....11	59.40.0102	1 nF	10%, 63V	PETP		C....48	59.40.0102	1 nF	10%, 63V	PETP	
C....12	59.40.0102	1 nF	10%, 63V	PETP		C....49	59.40.0102	1 nF	10%, 63V	PETP	
C....13	59.40.0102	1 nF	10%, 63V	PETP		C....50	59.40.0102	1 nF	10%, 63V	PETP	
C....14	59.40.0102	1 nF	10%, 63V	PETP		C....51	59.40.0102	1 nF	10%, 63V	PETP	
C....15	59.40.0102	1 nF	10%, 63V	PETP		C....52	59.40.0102	1 nF	10%, 63V	PETP	
C....16	59.40.0102	1 nF	10%, 63V	PETP		P....1	1.862.405.01	Cable	60 Contacts	Flat Cable	
C....17	59.40.0102	1 nF	10%, 63V	PETP		P....2	1.862.405.01	Cable	60 Contacts	Flat Cable	
C....18	59.40.0102	1 nF	10%, 63V	PETP		P....3	54.14.2002	Connector	16 Contacts	Flat Cable	
C....19	59.40.0102	1 nF	10%, 63V	PETP		P....4	54.14.2002	Connector	16 Contacts	Flat Cable	
C....20	59.40.0102	1 nF	10%, 63V	PETP		P....5	54.14.2002	Connector	16 Contacts	Flat Cable	
C....21	59.40.0102	1 nF	10%, 63V	PETP		P....6	54.14.2002	Connector	16 Contacts	Flat Cable	
C....22	59.40.0102	1 nF	10%, 63V	PETP		P....7	54.14.2002	Connector	16 Contacts	Flat Cable	
C....23	59.40.0102	1 nF	10%, 63V	PETP		P....8	54.14.2002	Connector	16 Contacts	Flat Cable	
C....24	59.40.0102	1 nF	10%, 63V	PETP		P....9	54.14.2001	Connector	10 Contacts	Flat Cable	
C....25	59.40.0102	1 nF	10%, 63V	PETP		R....1	57.99.1800	56 Ohm	2%	.5 W.VERT.	
C....26	59.40.0102	1 nF	10%, 63V	PETP		R....2	57.99.1800	56 Ohm	2%	.5 W.VERT.	
C....27	59.40.0102	1 nF	10%, 63V	PETP		R....3	57.99.1800	56 Ohm	2%	.5 W.VERT.	
C....28	59.40.0102	1 nF	10%, 63V	PETP		R....4	57.99.1800	56 Ohm	2%	.5 W.VERT.	
C....29	59.40.0102	1 nF	10%, 63V	PETP		R....5	57.99.1800	56 Ohm	2%	.5 W.VERT.	
C....30	59.40.0102	1 nF	10%, 63V	PETP		R....6	57.99.1800	56 Ohm	2%	.5 W.VERT.	
C....31	59.40.0102	1 nF	10%, 63V	PETP		R....7	57.99.1800	56 Ohm	2%	.5 W.VERT.	
C....32	59.40.0102	1 nF	10%, 63V	PETP		R....8	57.99.1800	56 Ohm	2%	.5 W.VERT.	
C....33	59.40.0102	1 nF	10%, 63V	PETP		R....9	57.99.1800	56 Ohm	2%	.5 W.VERT.	
C....34	59.40.0102	1 nF	10%, 63V	PETP		R....10	57.99.1800	56 Ohm	2%	.5 W.VERT.	
C....35	59.40.0102	1 nF	10%, 63V	PETP		R....11	57.99.1800	56 Ohm	2%	.5 W.VERT.	
C....36	59.40.0102	1 nF	10%, 63V	PETP							
C....37	59.40.0102	1 nF	10%, 63V	PETP							

JUNCTION BOARD PRIMARY RECORD 48 CH 1.862.741.00

IND.	POS.NO.	PART NO.	VALUE	SPECIFICATIONS / EQUIVALENT	MANUF.	IND.	POS.NO.	PART NO.	VALUE	SPECIFICATIONS / EQUIVALENT	MANUF.
R...12	57.99.1800	56 Ohm	2%	.5 W/VERT.		R...219	57.11.3111	110 Ohm	1%	0207, MF	
R...13	57.99.1800	56 Ohm	2%	.5 W/VERT.		R...220	57.11.3111	110 Ohm	1%	0207, MF	
R...14	57.99.1800	56 Ohm	2%	.5 W/VERT.		R...221	57.11.3111	110 Ohm	1%	0207, MF	
R...15	57.99.1800	56 Ohm	2%	.5 W/VERT.		R...222	57.11.3111	110 Ohm	1%	0207, MF	
R...16	57.99.1800	56 Ohm	2%	.5 W/VERT.		R...223	57.11.3111	110 Ohm	1%	0207, MF	
R...17	57.99.1800	56 Ohm	2%	.5 W/VERT.		R...224	57.11.3111	110 Ohm	1%	0207, MF	
R...18	57.99.1800	56 Ohm	2%	.5 W/VERT.		R...225	57.11.3111	110 Ohm	1%	0207, MF	
R...19	57.99.1800	56 Ohm	2%	.5 W/VERT.		R...226	57.11.3111	110 Ohm	1%	0207, MF	
R...20	57.99.1800	56 Ohm	2%	.5 W/VERT.		R...227	57.11.3111	110 Ohm	1%	0207, MF	
R...21	57.99.1800	56 Ohm	2%	.5 W/VERT.		R...228	57.11.3111	110 Ohm	1%	0207, MF	
R...22	57.99.1800	56 Ohm	2%	.5 W/VERT.		R...229	57.11.3111	110 Ohm	1%	0207, MF	
R...23	57.99.1800	56 Ohm	2%	.5 W/VERT.		R...230	57.11.3111	110 Ohm	1%	0207, MF	
R...24	57.99.1800	56 Ohm	2%	.5 W/VERT.		R...231	57.11.3111	110 Ohm	1%	0207, MF	
R...25	57.99.1800	56 Ohm	2%	.5 W/VERT.		R...232	57.11.3111	110 Ohm	1%	0207, MF	
R...26	57.99.1800	56 Ohm	2%	.5 W/VERT.		R...233	57.11.3111	110 Ohm	1%	0207, MF	
R...27	57.99.1800	56 Ohm	2%	.5 W/VERT.		R...234	57.11.3111	110 Ohm	1%	0207, MF	
R...28	57.99.1800	56 Ohm	2%	.5 W/VERT.		R...235	57.11.3111	110 Ohm	1%	0207, MF	
R...29	57.99.1800	56 Ohm	2%	.5 W/VERT.		R...236	57.11.3111	110 Ohm	1%	0207, MF	
R...30	57.99.1800	56 Ohm	2%	.5 W/VERT.		R...237	57.11.3111	110 Ohm	1%	0207, MF	
R...31	57.99.1800	56 Ohm	2%	.5 W/VERT.		R...238	57.11.3111	110 Ohm	1%	0207, MF	
R...32	57.99.1800	56 Ohm	2%	.5 W/VERT.		R...239	57.11.3111	110 Ohm	1%	0207, MF	
R...33	57.99.1800	56 Ohm	2%	.5 W/VERT.		R...240	57.11.3111	110 Ohm	1%	0207, MF	
R...34	57.99.1800	56 Ohm	2%	.5 W/VERT.		R...241	57.11.3111	110 Ohm	1%	0207, MF	
R...35	57.99.1800	56 Ohm	2%	.5 W/VERT.		R...242	57.11.3111	110 Ohm	1%	0207, MF	
R...36	57.99.1800	56 Ohm	2%	.5 W/VERT.		R...243	57.11.3111	110 Ohm	1%	0207, MF	
R...37	57.99.1800	56 Ohm	2%	.5 W/VERT.		R...244	57.11.3111	110 Ohm	1%	0207, MF	
R...38	57.99.1800	56 Ohm	2%	.5 W/VERT.		R...245	57.11.3111	110 Ohm	1%	0207, MF	
R...39	57.99.1800	56 Ohm	2%	.5 W/VERT.		R...246	57.11.3111	110 Ohm	1%	0207, MF	
R...40	57.99.1800	56 Ohm	2%	.5 W/VERT.		R...247	57.11.3111	110 Ohm	1%	0207, MF	
R...41	57.99.1800	56 Ohm	2%	.5 W/VERT.		R...248	57.11.3111	110 Ohm	1%	0207, MF	
R...42	57.99.1800	56 Ohm	2%	.5 W/VERT.		R...249	57.11.3111	110 Ohm	1%	0207, MF	
R...43	57.99.1800	56 Ohm	2%	.5 W/VERT.		R...250	57.11.3111	110 Ohm	1%	0207, MF	
R...44	57.99.1800	56 Ohm	2%	.5 W/VERT.		R...251	57.11.3111	110 Ohm	1%	0207, MF	
R...45	57.99.1800	56 Ohm	2%	.5 W/VERT.		R...252	57.11.3111	110 Ohm	1%	0207, MF	
R...46	57.99.1800	56 Ohm	2%	.5 W/VERT.		RZ...1	57.88.4104	8*100 kOhm	2%	SIP 9	
R...47	57.99.1800	56 Ohm	2%	.5 W/VERT.		RZ...2	57.88.4104	8*100 kOhm	2%	SIP 9	
R...48	57.99.1800	56 Ohm	2%	.5 W/VERT.							

S T U D E R (00) 89/05/09 IVA JUNCTION BOARD PRIM. REC 48 CH PL 1.862.741.00 PAGE 3 S T U D E R (00) 89/05/09 IVA JUNCTION BOARD PRIM. REC 48 CH PL 1.862.741.00 PAGE 6

IND.	POS.NO.	PART NO.	VALUE	SPECIFICATIONS / EQUIVALENT	MANUF.	IND.	POS.NO.	PART NO.	VALUE	SPECIFICATIONS / EQUIVALENT	MANUF.
R...49	57.99.1800	56 Ohm	2%	.5 W/VERT.		RZ...3	57.88.4104	8*100 kOhm	2%	SIP 9	
R...50	57.99.1800	56 Ohm	2%	.5 W/VERT.		RZ...4	57.88.4104	8*100 kOhm	2%	SIP 9	
R...51	57.99.1800	56 Ohm	2%	.5 W/VERT.		RZ...5	57.88.4104	8*100 kOhm	2%	SIP 9	
R...52	57.99.1800	56 Ohm	2%	.5 W/VERT.		RZ...6	57.88.4104	8*100 kOhm	2%	SIP 9	
R...101	57.99.1800	56 Ohm	2%	.5 W/VERT.		RZ...7	57.88.4104	8*100 kOhm	2%	SIP 9	
R...102	57.99.1800	56 Ohm	2%	.5 W/VERT.							
R...103	57.99.1800	56 Ohm	2%	.5 W/VERT.							
R...104	57.99.1800	56 Ohm	2%	.5 W/VERT.							
R...105	57.99.1800	56 Ohm	2%	.5 W/VERT.							
R...106	57.99.1800	56 Ohm	2%	.5 W/VERT.							
R...107	57.99.1800	56 Ohm	2%	.5 W/VERT.							
R...108	57.99.1800	56 Ohm	2%	.5 W/VERT.							
R...109	57.99.1800	56 Ohm	2%	.5 W/VERT.							
R...110	57.99.1800	56 Ohm	2%	.5 W/VERT.							
R...111	57.99.1800	56 Ohm	2%	.5 W/VERT.							
R...112	57.99.1800	56 Ohm	2%	.5 W/VERT.							
R...113	57.99.1800	56 Ohm	2%	.5 W/VERT.							
R...114	57.99.1800	56 Ohm	2%	.5 W/VERT.							
R...115	57.99.1800	56 Ohm	2%	.5 W/VERT.							
R...116	57.99.1800	56 Ohm	2%	.5 W/VERT.							
R...117	57.99.1800	56 Ohm	2%	.5 W/VERT.							
R...118	57.99.1800	56 Ohm	2%	.5 W/VERT.							
R...119	57.99.1800	56 Ohm	2%	.5 W/VERT.							
R...120	57.99.1800	56 Ohm	2%	.5 W/VERT.							
R...121	57.99.1800	56 Ohm	2%	.5 W/VERT.							
R...122	57.99.1800	56 Ohm	2%	.5 W/VERT.							
R...123	57.99.1800	56 Ohm	2%	.5 W/VERT.							
R...124	57.99.1800	56 Ohm	2%	.5 W/VERT.							
R...125	57.99.1800	56 Ohm	2%	.5 W/VERT.							
R...126	57.99.1800	56 Ohm	2%	.5 W/VERT.							
R...127	57.99.1800	56 Ohm	2%	.5 W/VERT.							
R...128	57.99.1800	56 Ohm	2%	.5 W/VERT.							
R...129	57.99.1800	56 Ohm	2%	.5 W/VERT.							
R...130	57.99.1800	56 Ohm	2%	.5 W/VERT.							
R...131	57.99.1800	56 Ohm	2%	.5 W/VERT.							
R...132	57.99.1800	56 Ohm	2%	.5 W/VERT.							
R...133	57.99.1800	56 Ohm	2%	.5 W/VERT.							

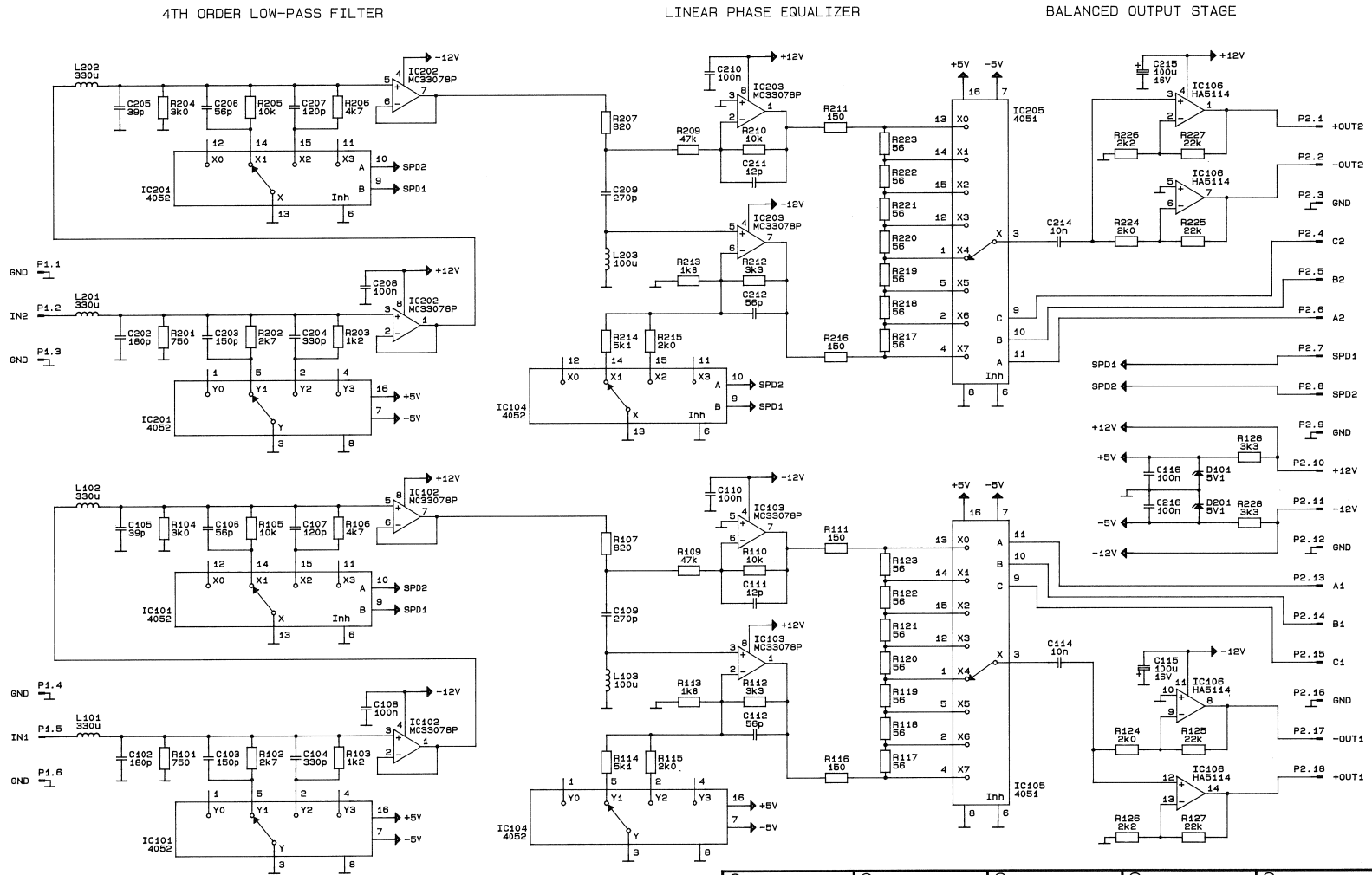
PETP=Polyesterfilm
 MANUFACTURER: F=Fairchild, Fe=Ferranti, Ie=Intersil, IT=Intertell,
 M=Motorola, NS=National Semiconductors, Ph=Philips,
 SES=Secoson, SGS=SGS/Atee, Si=Siemens, Sig=Signetics,
 Six=Siliconix, Tf=Telefunken, Tho=Thomson, TI=Texas
 Instruments.
 ORIG 89/05/09

S T U D E R (00) 89/05/09 IVA JUNCTION BOARD PRIM. REC 48 CH PL 1.862.741.00 PAGE 4 S T U D E R (00) 89/05/09 IVA JUNCTION BOARD PRIM. REC 48 CH PL 1.862.741.00 PAGE 7

IND.	POS.NO.	PART NO.	VALUE	SPECIFICATIONS / EQUIVALENT	MANUF.
R...134	57.99.1800	56 Ohm	2%	.5 W/VERT.	
R...135	57.99.1800	56 Ohm	2%	.5 W/VERT.	
R...136	57.99.1800	56 Ohm	2%	.5 W/VERT.	
R...137	57.99.1800	56 Ohm	2%	.5 W/VERT.	
R...138	57.99.1800	56 Ohm	2%	.5 W/VERT.	
R...139	57.99.1800	56 Ohm	2%	.5 W/VERT.	
R...140	57.99.1800	56 Ohm	2%	.5 W/VERT.	
R...141	57.99.1800	56 Ohm	2%	.5 W/VERT.	
R...142	57.99.1800	56 Ohm	2%	.5 W/VERT.	
R...143	57.99.1800	56 Ohm	2%	.5 W/VERT.	
R...144	57.99.1800	56 Ohm	2%	.5 W/VERT.	
R...145	57.99.1800	56 Ohm	2%	.5 W/VERT.	
R...146	57.99.1800	56 Ohm	2%	.5 W/VERT.	
R...147	57.99.1800	56 Ohm	2%	.5 W/VERT.	
R...148	57.99.1800	56 Ohm	2%	.5 W/VERT.	
R...149	57.99.1800	56 Ohm	2%	.5 W/VERT.	
R...150	57.99.1800	56 Ohm	2%	.5 W/VERT.	
R...151	57.99.1800	56 Ohm	2%	.5 W/VERT.	
R...152	57.99.1800	56 Ohm	2%	.5 W/VERT.	
R...201	57.11.3111	110 Ohm	1%	0207, MF	
R...202	57.11.3111	110 Ohm	1%	0207, MF	
R...203	57.11.3111	110 Ohm	1%	0207, MF	
R...204	57.11.3111	110 Ohm	1%	0207, MF	
R...205	57.11.3111	110 Ohm	1%	0207, MF	
R...206	57.11.3111	110 Ohm	1%	0207, MF	
R...207	57.11.3111	110 Ohm	1%	0207, MF	
R...208	57.11.3111	110 Ohm	1%	0207, MF	
R...209	57.11.3111	110 Ohm	1%	0207, MF	
R...210	57.11.3111	110 Ohm	1%	0207, MF	
R...211	57.11.3111	110 Ohm	1%	0207, MF	
R...212	57.11.3111	110 Ohm	1%	0207, MF	
R...213	57.11.3111	110 Ohm	1%	0207, MF	
R...214	57.11.3111	110 Ohm	1%	0207, MF	
R...215	57.11.3111	110 Ohm	1%	0207, MF	
R...216	57.11.3111	110 Ohm	1%	0207, MF	
R...217	57.11.3111	110 Ohm	1%	0207, MF	
R...218	57.11.3111	110 Ohm	1%	0207, MF	

S T U D E R (00) 89/05/09 IVA JUNCTION BOARD PRIM. REC 48 CH PL 1.862.741.00 PAGE 5

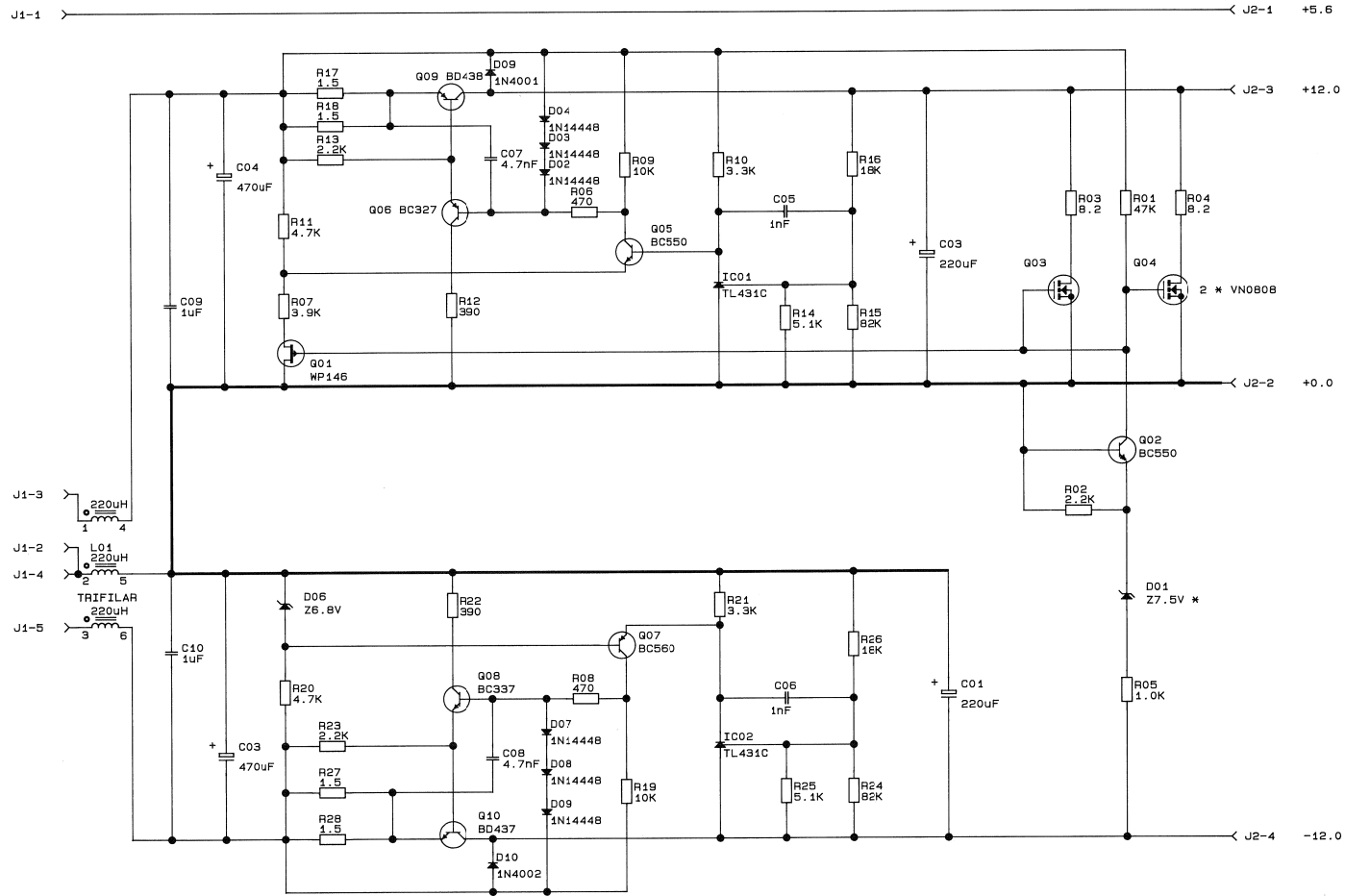
EQUALIZER MODULE 1.862.742.00



© 19.09.99 ZB			
	D 820 MCH		PAGE 1 OF 1
STUDER	EQUALIZER MODULE	A3	1.862.742-00

STUDER D820 MCH

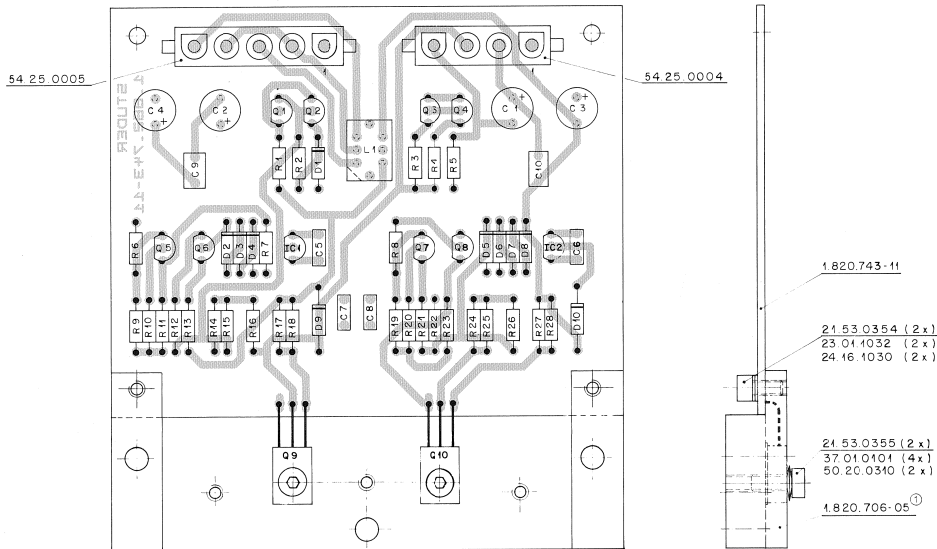
PREAMPLIFIER POWER SUPPLY 1.862.743.00



* New Adaptation of Supply Voltage Margin

① 25.4.89 IVA	① 12.12.89 BBT	○	○	○
DB20 MCH PCM			PAGE 1 OF 1	
STUDER		PREAMPLIFIER POWER SUPPLY		SC 1.862.743.00

PREAMPLIFIER POWER SUPPLY 1.862.743.00



Q9 und Q10 Montage nach BV 632
ESE Schild 43.01.0108 und
Nr. Etikette 1.820.743-01
aufgelegt nach Fabrikationsmuster.

IND.	POS.NO.	PART NO.	VALUE	SPECIFICATIONS / EQUIVALENT	MANUF.
C.....1	59.25.5221	220 uF	-20%, 16V / E1		
C.....2	59.25.5221	220 uF	-20%, 16V / E1		
C.....3	59.25.6471	470 uF	-20%, 16V / E1		
C.....4	59.25.6471	470 uF	-20%, 16V / E1		
C.....5	59.06.0102	1 uF	10%, 16V / PETP		
C.....6	59.06.0102	1 uF	10%, 16V / PETP		
C.....7	59.06.0472	4,7 uF	10%, 16V / PETP		
C.....8	59.06.0472	4,7 uF	10%, 16V / PETP		
C.....9	59.06.0105	1 uF	10%, 16V / PETP		
C.....10	59.06.0105	1 uF	10%, 16V / PETP		
D.....1	50.04.1114	10 V Z	BZX 55 C10	ITT/Mot./Ph./Te./SGS/Tho	
D.....2	50.04.1103	7,5 V Z	BZX 55 C7V5	ITT/Mot./Ph./Te./SGS/Tho	
D.....3	50.04.0125	1R 4448		Fe/ITT/Ph./SGS/Te	
D.....4	50.04.0125	1R 4448		Fe/ITT/Ph./SGS/Te	
D.....5	50.04.1102	6,8 V Z	BZX 55 C6V8	ITT/Mot./Ph./Te./SGS/Tho	
D.....6	50.04.0125	1R 4448		Fe/ITT/Ph./SGS/Te	
D.....7	50.04.0125	1R 4448		Fe/ITT/Ph./SGS/Te	
D.....8	50.04.0125	1R 4448		Fe/ITT/Ph./SGS/Te	
D.....9	50.04.0122	1R 4001		Si/Mot./ITT	
D.....10	50.04.0122	1R 4001		Si/Mot./ITT	
IC.....1	50.10.0106	TL 431 CLP		Mot./TI	
IC.....2	50.10.0106	TL 431 CLP		Mot./TI	
L.....1	1.022.630.00	Trifilar	Common Mode Choke	St	
Q.....1	50.03.0329	MP 146		Si/x	
Q.....2	50.03.0497	BC 550 E		Si/x	
Q.....3	50.03.1505	VN 0808 M	ZVN 0108 A; VN 0808 PTE	Fe; Si/x	
Q.....4	50.03.1505	VN 0808 M	ZVN 0108 A; VN 0808 PTE	Fe; Si/x	
Q.....5	50.03.0497	BC 550 E		Si/x	
Q.....6	50.03.0351	BC 337-25		ITT/Ph/Si/x	
Q.....7	50.03.0496	BC 560 E		Si/x	
Q.....8	50.03.0340	BC 337-25		ITT/Ph/Si/x	
Q.....9	50.03.0751	BD 178-10	BD 438	Mot./Ph	

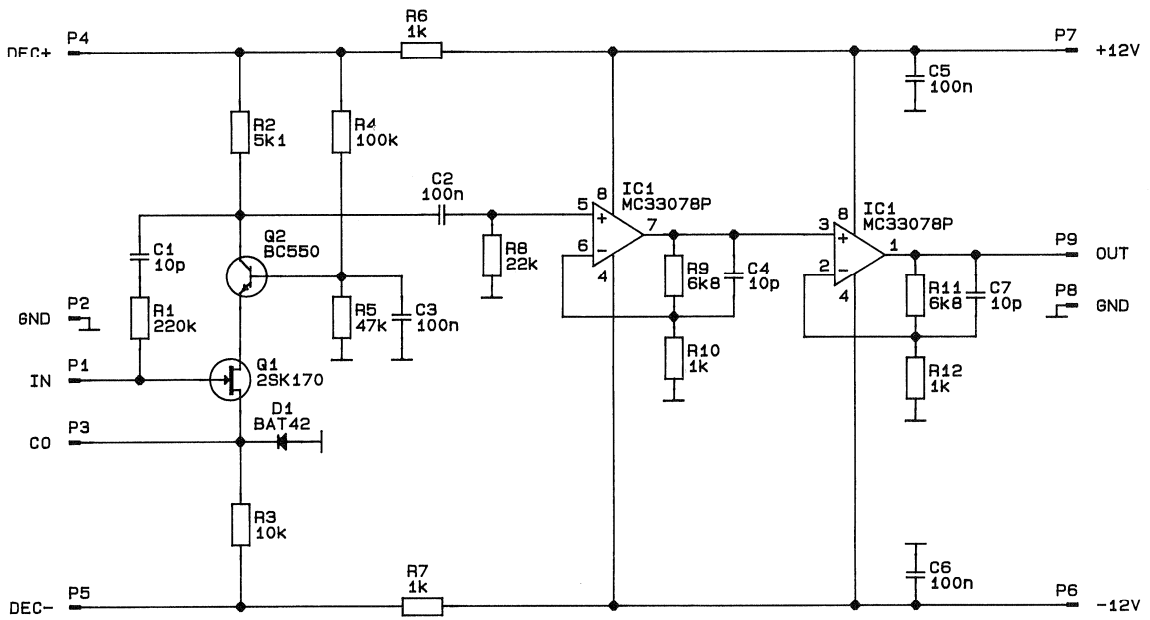
IND.	POS.NO.	PART NO.	VALUE	SPECIFICATIONS / EQUIVALENT	MANUF.
Q.....10	50.03.0493	BD 437	BD 439		Mot./Ph
R.....1	57.11.3473	47 kOhm	5%		
R.....2	57.11.3222	2,2 kOhm	5%		
R.....3	57.11.3829	8,2 Ohm	5%		
R.....4	57.11.3829	8,2 Ohm	5%		
R.....5	57.11.3102	1 kOhm	5%		
R.....6	57.11.3471	470 Ohm	5%		
R.....7	57.11.3392	3,9 kOhm	5%		
R.....8	57.11.3471	470 Ohm	5%		
R.....9	57.11.3103	10 kOhm	5%		
R.....10	57.11.3352	3,3 kOhm	5%		
R.....11	57.11.3472	4,7 kOhm	5%		
R.....12	57.11.3351	390 Ohm	5%		
R.....13	57.11.3222	2,2 kOhm	5%		
R.....14	57.11.3112	21,1 kOhm	1%		
R.....15	57.11.3923	82 kOhm	5%		
R.....16	57.11.3183	18 kOhm	1%		
R.....17	57.11.3159	1,5 Ohm	2%		
R.....18	57.11.3159	1,5 Ohm	2%		
R.....19	57.11.3103	10 kOhm	5%		
R.....20	57.11.3412	4,7 kOhm	5%		
R.....21	57.11.3352	3,3 kOhm	5%		
R.....22	57.11.3391	390 Ohm	5%		
R.....23	57.11.3222	2,2 kOhm	5%		
R.....24	57.11.3829	8,2 Ohm	5%		
R.....25	57.11.3512	5,1 kOhm	1%		
R.....26	57.11.3183	18 kOhm	1%		
R.....27	57.11.3159	1,5 Ohm	2%		
R.....28	57.11.3159	1,5 Ohm	2%		

S T U D E R (01) 09/12/12 BD PREAMPLIFIER POWER SUPPLY PL 1.862.743.00 PAGE 2

IND.	POS.NO.	PART NO.	VALUE	SPECIFICATIONS / EQUIVALENT	MANUF.
(01) 12.12.89				New adaptation of supply voltage margin.	
EI=				Electrolytic; PETP=Polymesterfilm.	
MANUFACTURER:				Fe=Ferranti; Fo=Fuochilid; Si=General Instruments;	
				ITT=International; Mot=Motorola; SG=National Semiconductor;	
				Ph=Phillips; SIS=Siemens; SGS=SGS/Ates; Si=Siemens;	
				Si=Siliconix; St=Studer; IT=Telefunken; Tho=Thomson;	
				Ti=Texas Instruments.	

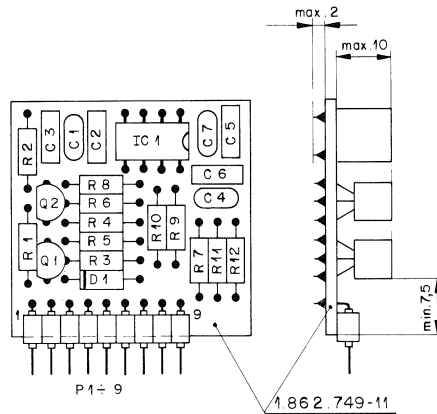
ORIG 08/11/90 (01) 09/12/12
S T U D E R (01) 09/12/12 BD PREAMPLIFIER POWER SUPPLY PL 1.862.743.00 PAGE 1

PREAMPLIFIER PCM 1 CH 1.862.749.00



© 06.10.89 ZB				
	D 820 MCH			PAGE 1 OF 1
STUDER	PREAMPLIFIER PCM, 1 CH		SC	1.862.749.00

PREAMPLIFIER PCM 1 CH 1.862.749.00

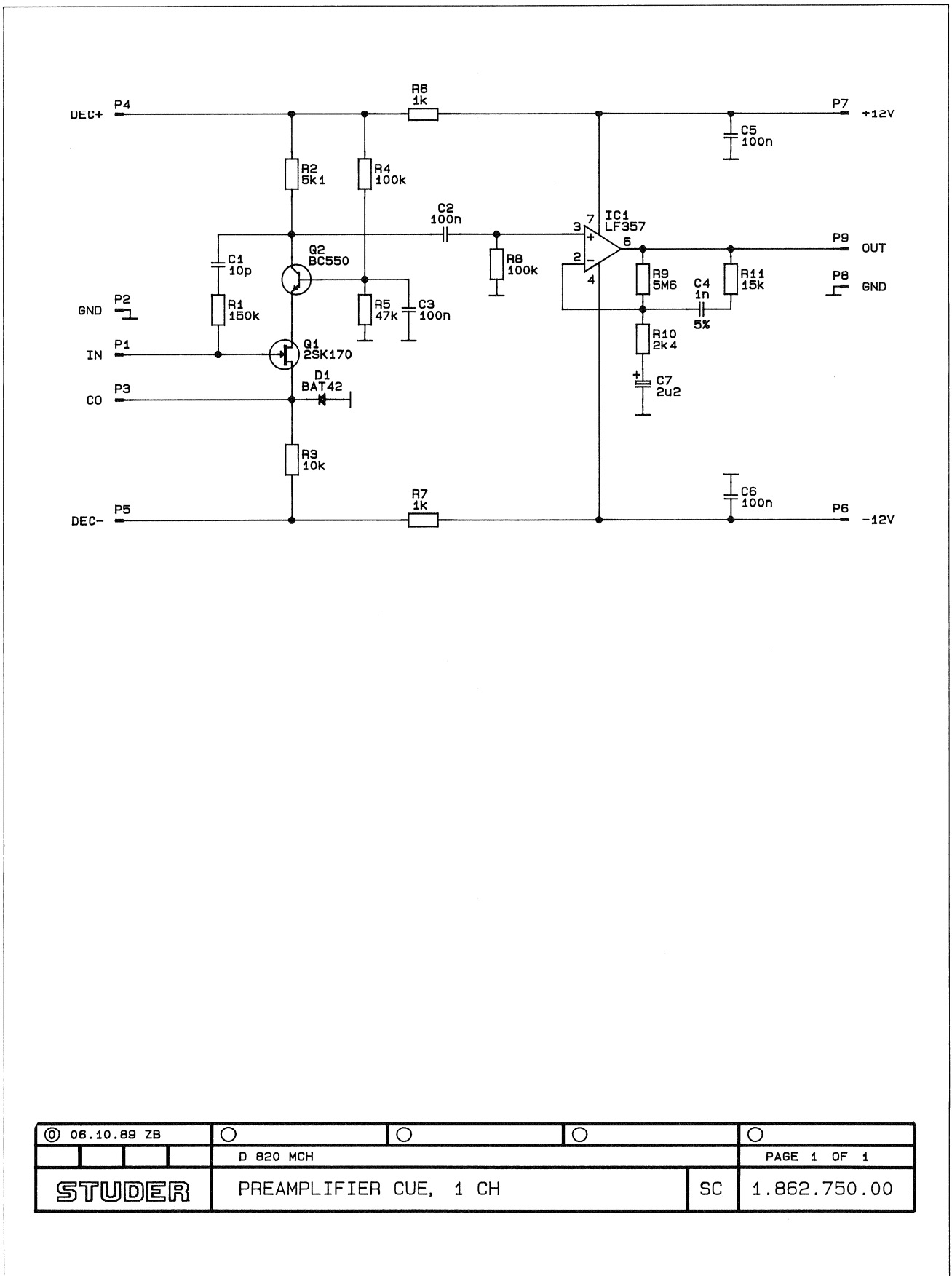


Schild 43.01.0108
aufgeklebt nach Fabrikationsmuster.

IND.	POS.NO.	PART NO.	VALUE	SPECIFICATIONS / EQUIVALENT	MANUF.	IND.	POS.NO.	PART NO.	VALUE	SPECIFICATIONS / EQUIVALENT	MANUF.
C.....1		59.34.1100	10 pF	10%, 25V, CER							
C.....2		59.06.0104	100 nF	10%, 25V, PETF							
C.....3		59.06.0104	100 nF	10%, 25V, PETF							
C.....4		59.34.1100	10 pF	5%, 25V, CER							
C.....5		59.06.0104	100 nF	10%, 25V, PETF							
C.....6		59.06.0104	100 nF	10%, 25V, PETF							
C.....7		59.34.1100	10 pF	5%, 25V, CER							
D.....1		50.04.0127	BAT 85	BAT 42, BAS 40-02							
IC.....1		50.09.0117	MC 33078	OPA	Mot						
P.....1		53.03.0250		right angle, SMC 032 GH F BB	Prc						
P.....2		53.03.0250		right angle, SMC 032 GH F BB	Prc						
P.....3		53.03.0250		right angle, SMC 032 GH F BB	Prc						
P.....4		53.03.0250		right angle, SMC 032 GH F BB	Prc						
P.....5		53.03.0250		right angle, SMC 032 GH F BB	Prc						
P.....6		53.03.0250		right angle, SMC 032 GH F BB	Prc						
P.....7		53.03.0250		right angle, SMC 032 GH F BB	Prc						
P.....8		53.03.0250		right angle, SMC 032 GH F BB	Prc						
P.....9		53.03.0250		right angle, SMC 032 GH F BB	Prc						
Q.....1		50.03.0215	2 SK 170	N-JFET, low noise	To						
Q.....2		50.03.0497	BC 550	NPN	Mot, Ph, Sie						
R.....1		57.11.3224	220 kOhm	2%, MF							
R.....2		57.11.3512	5.1 kOhm	2%, MF							
R.....3		57.11.3103	10 kOhm	2%, MF							
R.....4		57.11.3104	100 kOhm	2%, MF							
R.....5		57.11.3473	47 kOhm	2%, MF							
R.....6		57.11.3102	1 kOhm	2%, MF							
R.....7		57.11.3102	1 kOhm	2%, MF							
R.....8		57.11.3223	22 kOhm	2%, MF							
R.....9		57.11.3682	6.8 kOhm	2%, MF							
R.....10		57.11.3102	1 kOhm	2%, MF							
R.....11		57.11.3682	6.8 kOhm	2%, MF							
R.....12		57.11.3102	1 kOhm	2%, MF							

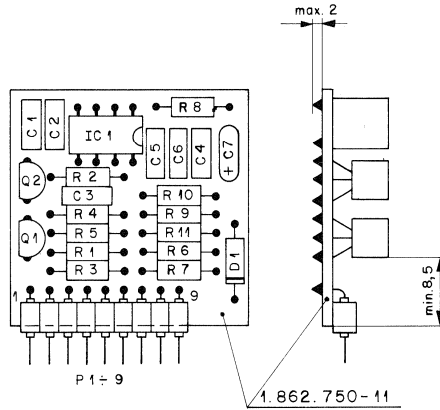
ORIG 89/04/20

PREAMPLIFIER CUE 1 CH 1.862.750.00



© 06.10.89 ZB				
	D 820 MCH			PAGE 1 OF 1
STUDER	PREAMPLIFIER CUE, 1 CH		SC	1.862.750.00

PREAMPLIFIER CUE 1 CH 1.862.750.00

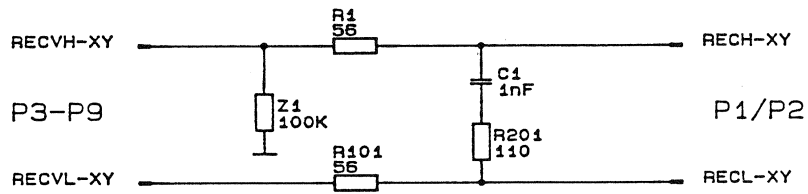


Schild 43.01.0108
aufgeklebt nach Fabrikationsmuster.

IND.	POS.NO.	PART NO.	VALUE	SPECIFICATIONS / EQUIVALENT	MANUF.	IND.	POS.NO.	PART NO.	VALUE	SPECIFICATIONS / EQUIVALENT	MANUF.
C.....1	59.34.1100	10 pF	10%	25V, CER		CER=Ceramic, MF=Metalfilm, PETP=Polyesterfilm, SAL=Solid Aluminium					
C.....2	59.06.0104	100 nF	10%	25V, PETP		Manufacturers: NS=National Semiconductors, Ph=Philips, SGS=SGS/Ates					
C.....3	59.06.0104	100 nF	10%	25V, PETP		Sie=Siemens, Th=Thomson, To=Toshiba					
C.....4	59.06.5102	1 nF	5%	25V, PETP							
C.....5	59.06.0104	100 nF	10%	25V, PETP							
C.....6	59.06.0104	100 nF	10%	25V, PETP							
C.....7	59.26.5229	2.2 uF	20%	25V, SAL	Ph						
D.....1	50.04.0127	BAT 8D	BAT 4Z		Ph/SGS/Th						
IC.....1	50.09.0102	LF 357 N	OPA		NS						
P.....1	53.03.0250	connector	right angle								
P.....2	53.03.0250	connector	right angle								
P.....3	53.03.0250	connector	right angle								
P.....4	53.03.0250	connector	right angle								
P.....5	53.03.0250	connector	right angle								
P.....6	53.03.0250	connector	right angle								
P.....7	53.03.0250	connector	right angle								
P.....8	53.03.0250	connector	right angle								
P.....9	53.03.0250	connector	right angle								
Q.....1	50.03.0215	2 SK 170	N-JFET, low noise		To						
Q.....2	50.03.0497	BC 550	E 632B, NPN		Sie						
R.....1	57.11.3154	150 kOhm	2%, MF								
R.....2	57.11.3612	5.1 kOhm	2%, MF								
R.....3	57.11.3103	10 kOhm	2%, MF								
R.....4	57.11.3104	100 kOhm	2%, MF								
R.....5	57.11.3473	47 kOhm	2%, MF								
R.....6	57.11.3102	1 kOhm	2%, MF								
R.....7	57.11.3102	1 kOhm	2%, MF								
R.....8	57.11.3104	100 kOhm	2%, MF								
R.....9	57.11.5565	5.6 MOhm	5%, MF								
R.....10	57.11.3242	2.4 kOhm	2%, MF								
R.....11	57.11.3153	15 kOhm	2%, MF								

ORIG 89/06/02

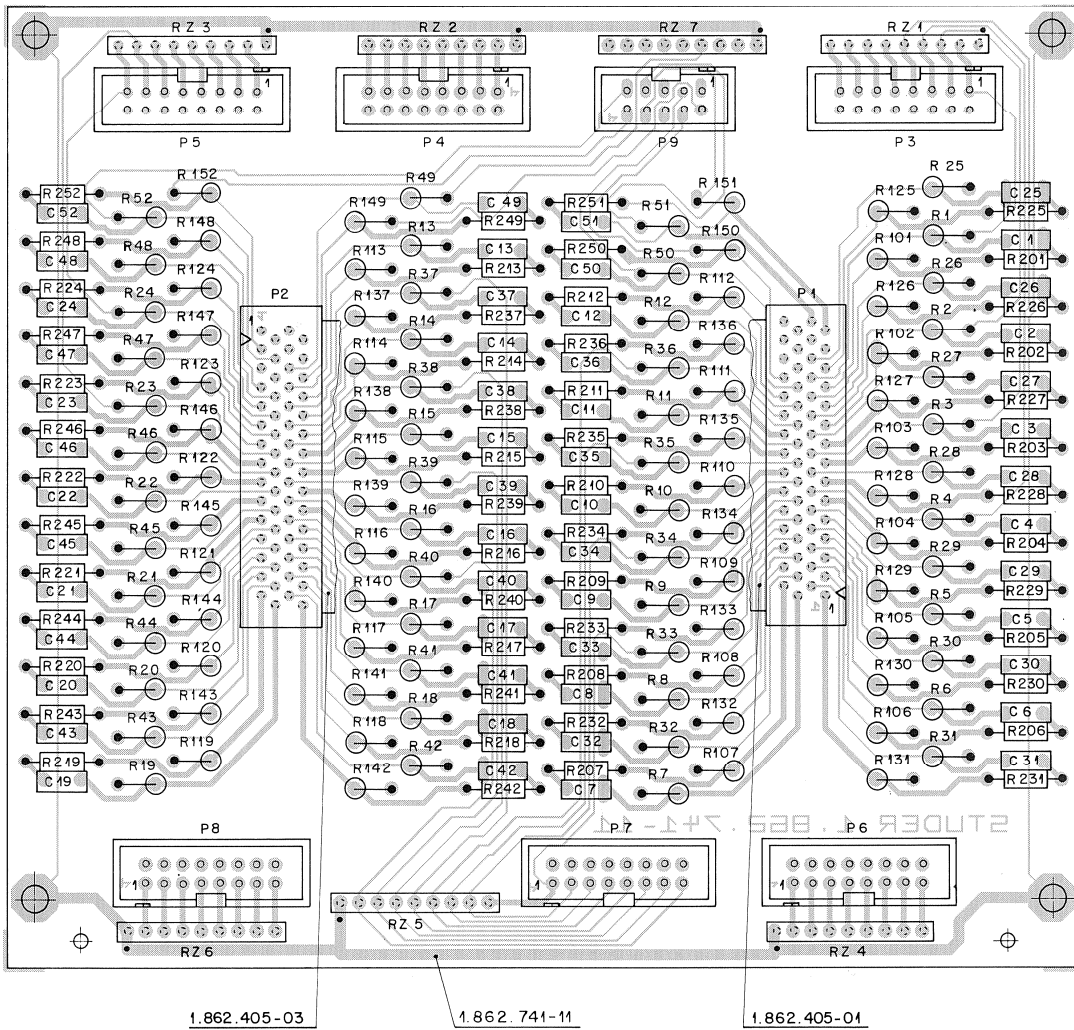
JUNCTION BOARD SYNC RECORD 48 CH 1.862.751.00



CH1	R1	R101	R201	C1
...
CH48	R48	R148	R248	C48
RT	R49	R149	R249	C49
TC	R50	R150	R250	C50
CU1	R51	R151	R251	C51
CU2	R52	R152	R252	C52

© 18.5.89 IVA	○	○	○	○
	BAUGRUPPE			PAGE 1 OF 1
STUDER	JUNCTION BOARD REC 48 CH		SC	1.862.751.00

JUNCTION BOARD SYNC RECORD 48 CH 1.862.751.00



IND.	POS.NO.	PART NO.	VALUE	SPECIFICATIONS / EQUIVALENT	MANUF.	IND.	POS.NO.	PART NO.	VALUE	SPECIFICATIONS / EQUIVALENT	MANUF.
C....1	59.40.0102	1 nF	10%, 63V	PETP		C....38	59.40.0102	1 nF	10%, 63V	PETP	
C....2	59.40.0102	1 nF	10%, 63V	PETP		C....39	59.40.0102	1 nF	10%, 63V	PETP	
C....3	59.40.0102	1 nF	10%, 63V	PETP		C....40	59.40.0102	1 nF	10%, 63V	PETP	
C....4	59.40.0102	1 nF	10%, 63V	PETP		C....41	59.40.0102	1 nF	10%, 63V	PETP	
C....5	59.40.0102	1 nF	10%, 63V	PETP		C....42	59.40.0102	1 nF	10%, 63V	PETP	
C....6	59.40.0102	1 nF	10%, 63V	PETP		C....43	59.40.0102	1 nF	10%, 63V	PETP	
C....7	59.40.0102	1 nF	10%, 63V	PETP		C....44	59.40.0102	1 nF	10%, 63V	PETP	
C....8	59.40.0102	1 nF	10%, 63V	PETP		C....45	59.40.0102	1 nF	10%, 63V	PETP	
C....9	59.40.0102	1 nF	10%, 63V	PETP		C....46	59.40.0102	1 nF	10%, 63V	PETP	
C....10	59.40.0102	1 nF	10%, 63V	PETP		C....47	59.40.0102	1 nF	10%, 63V	PETP	
C....11	59.40.0102	1 nF	10%, 63V	PETP		C....48	59.40.0102	1 nF	10%, 63V	PETP	
C....12	59.40.0102	1 nF	10%, 63V	PETP		C....49	59.40.0102	1 nF	10%, 63V	PETP	
C....13	59.40.0102	1 nF	10%, 63V	PETP		C....50	59.40.0102	1 nF	10%, 63V	PETP	
C....14	59.40.0102	1 nF	10%, 63V	PETP		C....51	59.40.0102	1 nF	10%, 63V	PETP	
C....15	59.40.0102	1 nF	10%, 63V	PETP		C....52	59.40.0102	1 nF	10%, 63V	PETP	
C....16	59.40.0102	1 nF	10%, 63V	PETP		P....1	1.862.405.01	Cable	60 Contacts	Flat Cable	
C....17	59.40.0102	1 nF	10%, 63V	PETP		P....2	1.862.405.03	Cable	60 Contacts	Flat Cable	
C....18	59.40.0102	1 nF	10%, 63V	PETP		P....3	54.14.2002	Connector	16 Contacts	Flat Cable	
C....19	59.40.0102	1 nF	10%, 63V	PETP		P....4	54.14.2002	Connector	16 Contacts	Flat Cable	
C....20	59.40.0102	1 nF	10%, 63V	PETP		P....5	54.14.2002	Connector	16 Contacts	Flat Cable	
C....21	59.40.0102	1 nF	10%, 63V	PETP		P....6	54.14.2002	Connector	16 Contacts	Flat Cable	
C....22	59.40.0102	1 nF	10%, 63V	PETP		P....7	54.14.2002	Connector	16 Contacts	Flat Cable	
C....23	59.40.0102	1 nF	10%, 63V	PETP		P....8	54.14.2002	Connector	16 Contacts	Flat Cable	
C....24	59.40.0102	1 nF	10%, 63V	PETP		P....9	54.14.2001	Connector	10 Contacts	Flat Cable	
C....25	59.40.0102	1 nF	10%, 63V	PETP		R....1	57.99.1800	56 Ohm	2%, .5 W	VERT.	
C....26	59.40.0102	1 nF	10%, 63V	PETP		R....2	57.99.1800	56 Ohm	2%, .5 W	VERT.	
C....27	59.40.0102	1 nF	10%, 63V	PETP		R....3	57.99.1800	56 Ohm	2%, .5 W	VERT.	
C....28	59.40.0102	1 nF	10%, 63V	PETP		R....4	57.99.1800	56 Ohm	2%, .5 W	VERT.	
C....29	59.40.0102	1 nF	10%, 63V	PETP		R....5	57.99.1800	56 Ohm	2%, .5 W	VERT.	
C....30	59.40.0102	1 nF	10%, 63V	PETP		R....6	57.99.1800	56 Ohm	2%, .5 W	VERT.	
C....31	59.40.0102	1 nF	10%, 63V	PETP		R....7	57.99.1800	56 Ohm	2%, .5 W	VERT.	
C....32	59.40.0102	1 nF	10%, 63V	PETP		R....8	57.99.1800	56 Ohm	2%, .5 W	VERT.	
C....33	59.40.0102	1 nF	10%, 63V	PETP		R....9	57.99.1800	56 Ohm	2%, .5 W	VERT.	
C....34	59.40.0102	1 nF	10%, 63V	PETP		R....10	57.99.1800	56 Ohm	2%, .5 W	VERT.	
C....35	59.40.0102	1 nF	10%, 63V	PETP		R....11	57.99.1800	56 Ohm	2%, .5 W	VERT.	
C....36	59.40.0102	1 nF	10%, 63V	PETP							
C....37	59.40.0102	1 nF	10%, 63V	PETP							

JUNCTION BOARD SYNC RECORD 48 CH 1.862.751.00

IND.	POS.NO.	PART NO.	VALUE	SPECIFICATIONS / EQUIVALENT	MANUF.	IND.	POS.NO.	PART NO.	VALUE	SPECIFICATIONS / EQUIVALENT	MANUF.
R...12	57.99.1800	56 Ohm	2K .5 W.VERT.			R...219	57.11.3111	110 Ohm	1X 0207, MF		
R...13	57.99.1800	56 Ohm	2K .5 W.VERT.			R...220	57.11.3111	110 Ohm	1X 0207, MF		
R...14	57.99.1800	56 Ohm	2K .5 W.VERT.			R...221	57.11.3111	110 Ohm	1X 0207, MF		
R...15	57.99.1800	56 Ohm	2K .5 W.VERT.			R...222	57.11.3111	110 Ohm	1X 0207, MF		
R...16	57.99.1800	56 Ohm	2K .5 W.VERT.			R...223	57.11.3111	110 Ohm	1X 0207, MF		
R...17	57.99.1800	56 Ohm	2K .5 W.VERT.			R...224	57.11.3111	110 Ohm	1X 0207, MF		
R...18	57.99.1800	56 Ohm	2K .5 W.VERT.			R...225	57.11.3111	110 Ohm	1X 0207, MF		
R...19	57.99.1800	56 Ohm	2K .5 W.VERT.			R...226	57.11.3111	110 Ohm	1X 0207, MF		
R...20	57.99.1800	56 Ohm	2K .5 W.VERT.			R...227	57.11.3111	110 Ohm	1X 0207, MF		
R...21	57.99.1800	56 Ohm	2K .5 W.VERT.			R...228	57.11.3111	110 Ohm	1X 0207, MF		
R...22	57.99.1800	56 Ohm	2K .5 W.VERT.			R...229	57.11.3111	110 Ohm	1X 0207, MF		
R...23	57.99.1800	56 Ohm	2K .5 W.VERT.			R...230	57.11.3111	110 Ohm	1X 0207, MF		
R...24	57.99.1800	56 Ohm	2K .5 W.VERT.			R...231	57.11.3111	110 Ohm	1X 0207, MF		
R...25	57.99.1800	56 Ohm	2K .5 W.VERT.			R...232	57.11.3111	110 Ohm	1X 0207, MF		
R...26	57.99.1800	56 Ohm	2K .5 W.VERT.			R...233	57.11.3111	110 Ohm	1X 0207, MF		
R...27	57.99.1800	56 Ohm	2K .5 W.VERT.			R...234	57.11.3111	110 Ohm	1X 0207, MF		
R...28	57.99.1800	56 Ohm	2K .5 W.VERT.			R...235	57.11.3111	110 Ohm	1X 0207, MF		
R...29	57.99.1800	56 Ohm	2K .5 W.VERT.			R...236	57.11.3111	110 Ohm	1X 0207, MF		
R...30	57.99.1800	56 Ohm	2K .5 W.VERT.			R...237	57.11.3111	110 Ohm	1X 0207, MF		
R...31	57.99.1800	56 Ohm	2K .5 W.VERT.			R...238	57.11.3111	110 Ohm	1X 0207, MF		
R...32	57.99.1800	56 Ohm	2K .5 W.VERT.			R...239	57.11.3111	110 Ohm	1X 0207, MF		
R...33	57.99.1800	56 Ohm	2K .5 W.VERT.			R...240	57.11.3111	110 Ohm	1X 0207, MF		
R...34	57.99.1800	56 Ohm	2K .5 W.VERT.			R...241	57.11.3111	110 Ohm	1X 0207, MF		
R...35	57.99.1800	56 Ohm	2K .5 W.VERT.			R...242	57.11.3111	110 Ohm	1X 0207, MF		
R...36	57.99.1800	56 Ohm	2K .5 W.VERT.			R...243	57.11.3111	110 Ohm	1X 0207, MF		
R...37	57.99.1800	56 Ohm	2K .5 W.VERT.			R...244	57.11.3111	110 Ohm	1X 0207, MF		
R...38	57.99.1800	56 Ohm	2K .5 W.VERT.			R...245	57.11.3111	110 Ohm	1X 0207, MF		
R...39	57.99.1800	56 Ohm	2K .5 W.VERT.			R...246	57.11.3111	110 Ohm	1X 0207, MF		
R...40	57.99.1800	56 Ohm	2K .5 W.VERT.			R...247	57.11.3111	110 Ohm	1X 0207, MF		
R...41	57.99.1800	56 Ohm	2K .5 W.VERT.			R...248	57.11.3111	110 Ohm	1X 0207, MF		
R...42	57.99.1800	56 Ohm	2K .5 W.VERT.			R...249	57.11.3111	110 Ohm	1X 0207, MF		
R...43	57.99.1800	56 Ohm	2K .5 W.VERT.			R...250	57.11.3111	110 Ohm	1X 0207, MF		
R...44	57.99.1800	56 Ohm	2K .5 W.VERT.			R...251	57.11.3111	110 Ohm	1X 0207, MF		
R...45	57.99.1800	56 Ohm	2K .5 W.VERT.			R...252	57.11.3111	110 Ohm	1X 0207, MF		
R...46	57.99.1800	56 Ohm	2K .5 W.VERT.			RZ...1	57.88.4104	8*100 kOhm	2X SIP 9		
R...47	57.99.1800	56 Ohm	2K .5 W.VERT.			RZ...2	57.88.4104	8*100 kOhm	2X SIP 9		
R...48	57.99.1800	56 Ohm	2K .5 W.VERT.								

S T U D E R (00) 89/05/09 IVA JUNCTION BOARD SYNC REC. 48 CH PL 1.862.751.00 PAGE 3 S T U D E R (00) 89/05/09 IVA JUNCTION BOARD SYNC REC. 48 CH PL 1.862.751.00 PAGE 6

IND.	POS.NO.	PART NO.	VALUE	SPECIFICATIONS / EQUIVALENT	MANUF.	IND.	POS.NO.	PART NO.	VALUE	SPECIFICATIONS / EQUIVALENT	MANUF.
R...49	57.99.1800	56 Ohm	2K .5 W.VERT.			RZ...3	57.88.4104	8*100 kOhm	2X SIP 9		
R...50	57.99.1800	56 Ohm	2K .5 W.VERT.			RZ...4	57.88.4104	8*100 kOhm	2X SIP 9		
R...51	57.99.1800	56 Ohm	2K .5 W.VERT.			RZ...5	57.88.4104	8*100 kOhm	2X SIP 9		
R...52	57.99.1800	56 Ohm	2K .5 W.VERT.			RZ...6	57.88.4104	8*100 kOhm	2X SIP 9		
R...101	57.99.1800	56 Ohm	2K .5 W.VERT.			RZ...7	57.88.4104	8*100 kOhm	2X SIP 9		
R...102	57.99.1800	56 Ohm	2K .5 W.VERT.								
R...103	57.99.1800	56 Ohm	2K .5 W.VERT.								
R...104	57.99.1800	56 Ohm	2K .5 W.VERT.								
R...105	57.99.1800	56 Ohm	2K .5 W.VERT.								
R...106	57.99.1800	56 Ohm	2K .5 W.VERT.								
R...107	57.99.1800	56 Ohm	2K .5 W.VERT.								
R...108	57.99.1800	56 Ohm	2K .5 W.VERT.								
R...109	57.99.1800	56 Ohm	2K .5 W.VERT.								
R...110	57.99.1800	56 Ohm	2K .5 W.VERT.								
R...111	57.99.1800	56 Ohm	2K .5 W.VERT.								
R...112	57.99.1800	56 Ohm	2K .5 W.VERT.								
R...113	57.99.1800	56 Ohm	2K .5 W.VERT.								
R...114	57.99.1800	56 Ohm	2K .5 W.VERT.								
R...115	57.99.1800	56 Ohm	2K .5 W.VERT.								
R...116	57.99.1800	56 Ohm	2K .5 W.VERT.								
R...117	57.99.1800	56 Ohm	2K .5 W.VERT.								
R...118	57.99.1800	56 Ohm	2K .5 W.VERT.								
R...119	57.99.1800	56 Ohm	2K .5 W.VERT.								
R...120	57.99.1800	56 Ohm	2K .5 W.VERT.								
R...121	57.99.1800	56 Ohm	2K .5 W.VERT.								
R...122	57.99.1800	56 Ohm	2K .5 W.VERT.								
R...123	57.99.1800	56 Ohm	2K .5 W.VERT.								
R...124	57.99.1800	56 Ohm	2K .5 W.VERT.								
R...125	57.99.1800	56 Ohm	2K .5 W.VERT.								
R...126	57.99.1800	56 Ohm	2K .5 W.VERT.								
R...127	57.99.1800	56 Ohm	2K .5 W.VERT.								
R...128	57.99.1800	56 Ohm	2K .5 W.VERT.								
R...129	57.99.1800	56 Ohm	2K .5 W.VERT.								
R...130	57.99.1800	56 Ohm	2K .5 W.VERT.								
R...131	57.99.1800	56 Ohm	2K .5 W.VERT.								
R...132	57.99.1800	56 Ohm	2K .5 W.VERT.								
R...133	57.99.1800	56 Ohm	2K .5 W.VERT.								

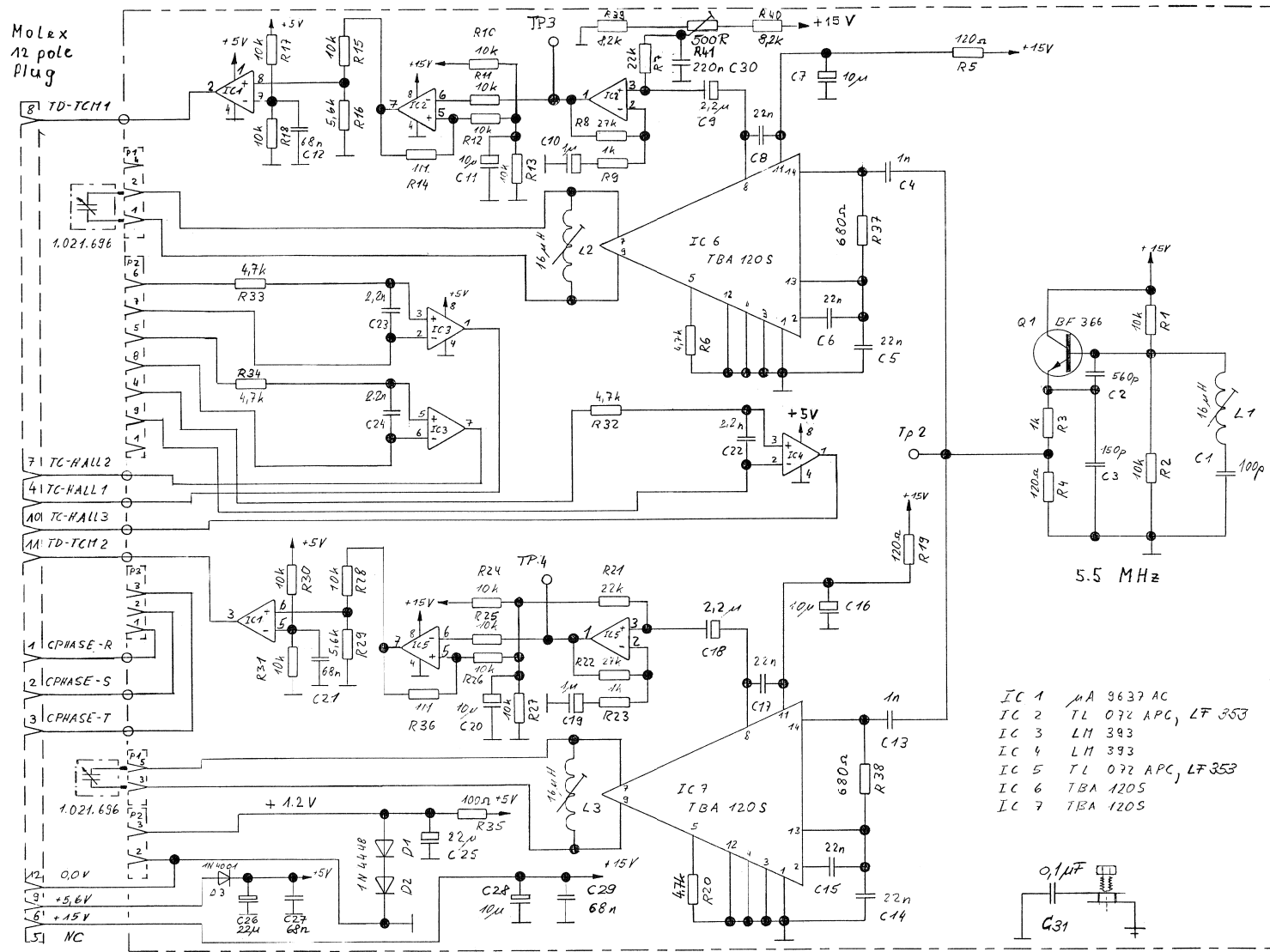
FETP=Polystertilin
 MANUFACTURER: Fc=Fairchild, Fe=Ferranti, Is=Internil, ITT=Intermetall,
 Mot=Motorola, NS=National Semiconductors, Ph=Philips,
 SES=Secossem, SGS=SGS/Ates, Sie=Siemens, Sig=Signetics,
 Sil=Siliconix, Tf=Telefunken, Tho=Thomson, Ti=Texas
 Instruments.

S T U D E R (00) 89/05/09 IVA JUNCTION BOARD SYNC REC. 48 CH PL 1.862.751.00 PAGE 4 S T U D E R (00) 89/05/09 IVA JUNCTION BOARD SYNC REC. 48 CH PL 1.862.751.00 PAGE 7

IND.	POS.NO.	PART NO.	VALUE	SPECIFICATIONS / EQUIVALENT	MANUF.
R...134	57.99.1800	56 Ohm	2K .5 W.VERT.		
R...135	57.99.1800	56 Ohm	2K .5 W.VERT.		
R...136	57.99.1800	56 Ohm	2K .5 W.VERT.		
R...137	57.99.1800	56 Ohm	2K .5 W.VERT.		
R...138	57.99.1800	56 Ohm	2K .5 W.VERT.		
R...139	57.99.1800	56 Ohm	2K .5 W.VERT.		
R...140	57.99.1800	56 Ohm	2K .5 W.VERT.		
R...141	57.99.1800	56 Ohm	2K .5 W.VERT.		
R...142	57.99.1800	56 Ohm	2K .5 W.VERT.		
R...143	57.99.1800	56 Ohm	2K .5 W.VERT.		
R...144	57.99.1800	56 Ohm	2K .5 W.VERT.		
R...145	57.99.1800	56 Ohm	2K .5 W.VERT.		
R...146	57.99.1800	56 Ohm	2K .5 W.VERT.		
R...147	57.99.1800	56 Ohm	2K .5 W.VERT.		
R...148	57.99.1800	56 Ohm	2K .5 W.VERT.		
R...149	57.99.1800	56 Ohm	2K .5 W.VERT.		
R...150	57.99.1800	56 Ohm	2K .5 W.VERT.		
R...151	57.99.1800	56 Ohm	2K .5 W.VERT.		
R...152	57.99.1800	56 Ohm	2K .5 W.VERT.		
R...201	57.11.3111	110 Ohm	1X 0207, MF		
R...202	57.11.3111	110 Ohm	1X 0207, MF		
R...203	57.11.3111	110 Ohm	1X 0207, MF		
R...204	57.11.3111	110 Ohm	1X 0207, MF		
R...205	57.11.3111	110 Ohm	1X 0207, MF		
R...206	57.11.3111	110 Ohm	1X 0207, MF		
R...207	57.11.3111	110 Ohm	1X 0207, MF		
R...208	57.11.3111	110 Ohm	1X 0207, MF		
R...209	57.11.3111	110 Ohm	1X 0207, MF		
R...210	57.11.3111	110 Ohm	1X 0207, MF		
R...211	57.11.3111	110 Ohm	1X 0207, MF		
R...212	57.11.3111	110 Ohm	1X 0207, MF		
R...213	57.11.3111	110 Ohm	1X 0207, MF		
R...214	57.11.3111	110 Ohm	1X 0207, MF		
R...215	57.11.3111	110 Ohm	1X 0207, MF		
R...216	57.11.3111	110 Ohm	1X 0207, MF		
R...217	57.11.3111	110 Ohm	1X 0207, MF		
R...218	57.11.3111	110 Ohm	1X 0207, MF		

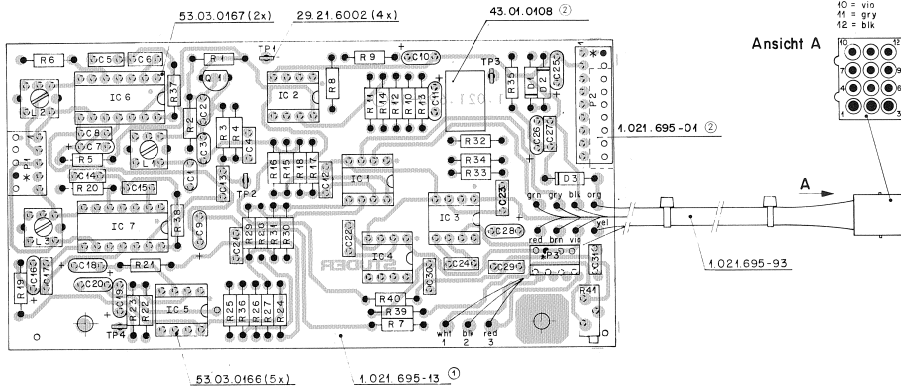
S T U D E R (00) 89/05/09 IVA JUNCTION BOARD SYNC REC. 48 CH PL 1.862.751.00 PAGE 5

TACHO SENSOR ELECTRONICS 1.021.695.83



① 4.12.84 Buk	① 1201.66 CS	② 27.10.86 CS	...
A 820 Tape Transport Section			
STUDER		Tacho Sensor Electronics PCB	
PAGE 1 OF 1		SC 1.021.695.83	

TACHO SENSOR ELECTRONICS 1.021.695.83



* Codierung: Schalldraht 64.01.0108 ϕ 0,8x8mm (muss fmm vorstehen)

- ① Mit der Einführung der Printplatte -13 entfallen:
 -Leiterbahnaufleitung
 -Isolierschlauch
 -1.022.400-03

IND.	POS.NO.	PART NO.	VALUE	SPECIFICATIONS / EQUIVALENT	MANUF.
C.....1		59.34.4101	100 pF	5% 8750- CE	
C.....2		59.34.4101	560 pF	5% 63V- CE	
C.....3		59.34.4101	150 pF	5% 8750- CE	
C.....4		59.06.0102	1 nF	10% 63V- PETF	
C.....5		59.06.0223	22 nF	10% 63V- PETF	
C.....6		59.06.0223	22 nF	10% 63V- PETF	
C.....7		59.26.2100	10 nF	20% 16V- EL	
C.....8		59.06.0223	22 nF	10% 63V- PETF	
C.....9		59.26.5229	2.2 nF	20% 25V- IL	
C.....10		59.26.9109	1 nF	20% 40V- EL	
C.....11		59.26.2100	10 nF	20% 16V- EL	
C.....12		59.06.0683	68 nF	10% 63V- PETF	
C.....13		59.06.0102	1 nF	10% 63V- PETF	
C.....14		59.06.0223	22 nF	10% 63V- PETF	
C.....15		59.06.0223	22 nF	10% 63V- PETF	
C.....16		59.26.2100	10 nF	20% 16V- EL	
C.....17		59.06.0223	22 nF	10% 63V- PETF	
C.....18		59.06.0223	2.2 nF	20% 25V- IL	
C.....19		59.26.9109	1 nF	20% 40V- EL	
C.....20		59.26.2100	10 nF	20% 16V- EL	
C.....21		59.06.0683	68 nF	10% 63V- PETF	
C.....22		59.06.0223	2.2 nF	10% 63V- PETF	
C.....23		59.06.0223	2.2 nF	10% 63V- PETF	
C.....24		59.06.0223	2.2 nF	10% 63V- PETF	
C.....25		59.26.1230	22 nF	20% 10V- EL	
C.....26		59.26.1230	22 nF	20% 10V- EL	
C.....27		59.06.0683	68 nF	10% 63V- PETF	
C.....28		59.26.2100	10 nF	20% 16V- EL	
C.....29		59.06.0683	68 nF	10% 63V- PETF	
C.....30		59.06.0254	220 nF	10% 63V- PETF	
C.....31		59.06.0104	100 nF	10% 63V- PETF	
D.....1		50.04.0125	1N 4448		Fe-Ti/Pb-Sew-Ti
D.....2		50.04.0125	1N 4448		Fe-Ti/Pb-Sew-Ti
D.....3		50.04.0122	1N 4001	(= 4004)	Met
IC.....1		50.15.0114	UA967ATCP	9637 ATC	Fe-Ti

STUDER (00) 86/08/12 CS TACHO SENS. EL. BOARD FL 1.021.695.03 PAGE 1

IND.	POS.NO.	PART NO.	VALUE	SPECIFICATIONS / EQUIVALENT	MANUF.
Note 1		Pot: Sourco	Nr.: 3296 Z-1-501		
		Special	Nr.: 64 Z 201 T 000		
		Mucker	Nr.: Pot 3103 Z-1-501		
Note 2		Plug: 5-Pin AMP	Nr.: -163.680-3		
Note 3		Plug: 9-Pin AMP	Nr.: -163.680-7		
Note 4		Plug: 3-Pin AMP	Nr.: -163.680-1		
CE=Ceramic, EL=Electrolytic, PETF=Polyester Film					
MANUFACTURER: Fe=Fairchild, GI=General Instruments, ITT=Intermetall, Hot=Hotecol, NS=National Semiconductor, Ph=Philips, Di=Diodes, St=Studer, TI=Texas Instruments					

ORIG 86/08/12
 STUDER (00) 86/08/12 CS TACHO SENS. EL. BOARD FL 1.021.695.03 PAGE 4

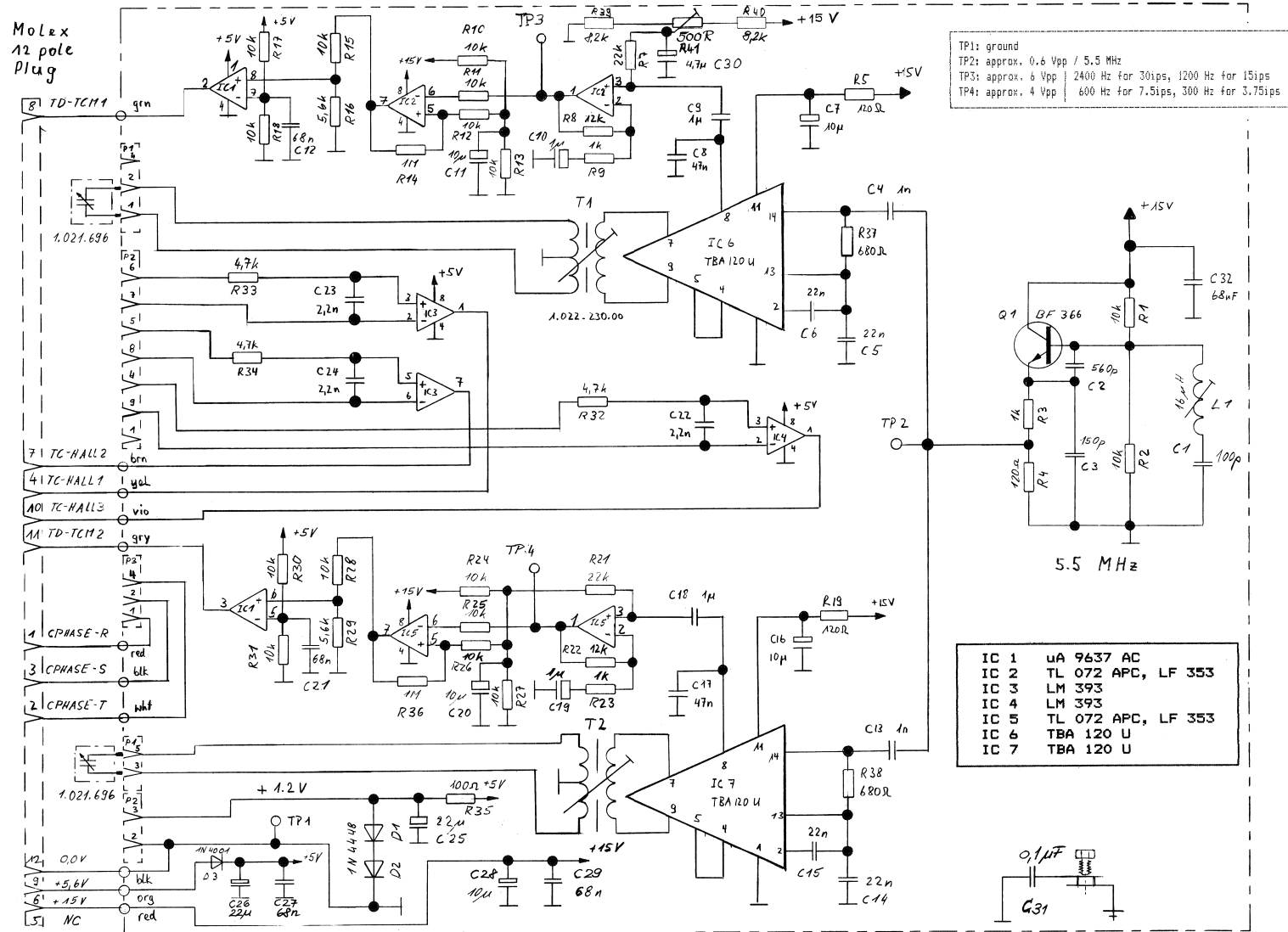
IND.	POS.NO.	PART NO.	VALUE	SPECIFICATIONS / EQUIVALENT	MANUF.
IC.....2		50.09.0101	LF 353 R	TL 072 CF	NS-TI
IC.....3		50.05.0288	LW 393 R	LW 393 F	NS-TI
IC.....4		50.05.0288	LW 393 R	LW 393 F	NS-TI
IC.....5		50.09.0101	LF 353 R	TL 072 CF	NS-TI
IC.....6		50.11.0107	T8A 120S		St*
IC.....7		50.11.0107	T8A 120S		St*
L.....1		1.022.222.00	16 nH	HF-COIL	St
L.....2		1.022.222.00	16 nH	HF-COIL	St
L.....3		1.022.222.00	16 nH	HF-COIL	St
P.....1		54.01.028B		*** Note 2	
P.....2		54.01.0237		*** Note 3	
P.....3		54.01.028F		*** Note 4	
P.....3		54.01.0241		*** Note 4	
R.....1		50.03.0514	BF 366		Met
R.....1		57.11.4123	10 kOhm	5%	
R.....2		57.11.4103	10 kOhm	5%	
R.....3		57.11.4102	1 kOhm	5%	
R.....4		57.11.4121	100 Ohm	5%	
R.....5		57.11.4121	100 Ohm	5%	
R.....6		57.11.4472	4.7 kOhm	5%	
R.....7		57.11.4223	22 kOhm	5%	
R.....8		57.11.4472	4.7 kOhm	5%	
R.....9		57.11.4102	1 kOhm	5%	
R.....10		57.11.4103	10 kOhm	5%	
R.....11		57.11.4103	10 kOhm	5%	
R.....12		57.11.4103	10 kOhm	5%	
R.....13		57.11.4103	10 kOhm	5%	
R.....14		57.11.4103	10 kOhm	5%	
R.....15		57.11.4103	10 kOhm	5%	
R.....16		57.11.4862	5.6 kOhm	5%	
R.....17		57.11.4103	10 kOhm	5%	
R.....18		57.11.4103	10 kOhm	5%	
R.....19		57.11.4121	100 Ohm	5%	

STUDER (00) 86/08/12 CS TACHO SENS. EL. BOARD FL 1.021.695.03 PAGE 1

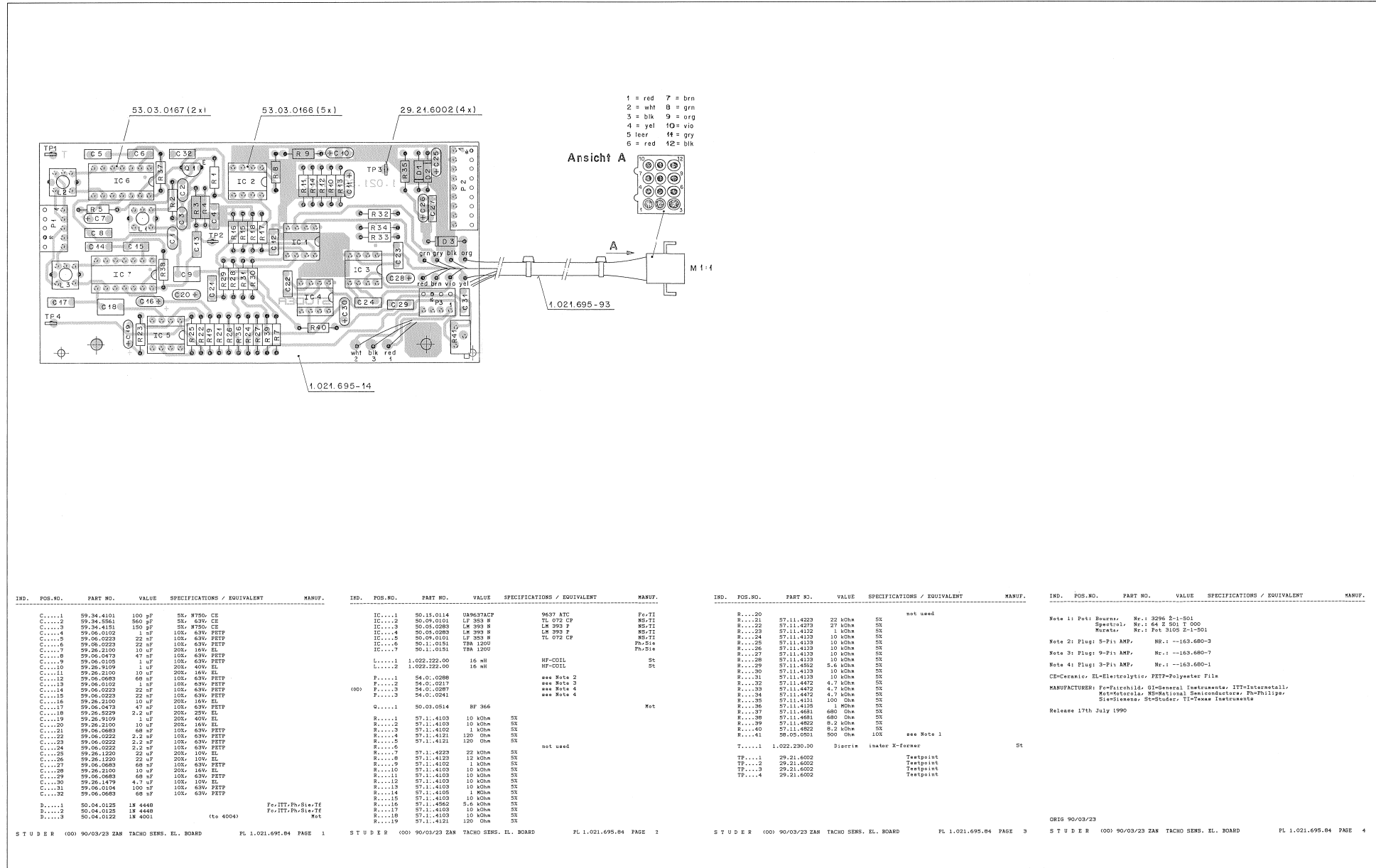
IND.	POS.NO.	PART NO.	VALUE	SPECIFICATIONS / EQUIVALENT	MANUF.
R.....20		57.11.4472	4.7 kOhm	5%	
R.....21		57.11.4223	22 kOhm	5%	
R.....22		57.11.4472	4.7 kOhm	5%	
R.....23		57.11.4102	1 kOhm	5%	
R.....24		57.11.4103	10 kOhm	5%	
R.....25		57.11.4103	10 kOhm	5%	
R.....26		57.11.4103	10 kOhm	5%	
R.....27		57.11.4103	10 kOhm	5%	
R.....28		57.11.4103	10 kOhm	5%	
R.....29		57.11.4862	5.6 kOhm	5%	
R.....30		57.11.4103	10 kOhm	5%	
R.....31		57.11.4103	10 kOhm	5%	
R.....32		57.11.4472	4.7 kOhm	5%	
R.....33		57.11.4472	4.7 kOhm	5%	
R.....34		57.11.4103	10 kOhm	5%	
R.....35		57.11.4121	100 Ohm	5%	
R.....36		57.11.4103	10 kOhm	5%	
R.....37		57.11.4681	680 Ohm	5%	
R.....38		57.11.4103	10 kOhm	5%	
R.....39		57.11.4822	8.2 kOhm	5%	
R.....40		57.11.4822	8.2 kOhm	5%	
R.....41		58.05.0501	500 Ohm	10%	*** Note 1
TP.....1		29.21.6002		Testpoint	
TP.....2		29.21.6002		Testpoint	
TP.....3		29.21.6002		Testpoint	
TP.....4		29.21.6002		Testpoint	

STUDER (00) 86/08/12 CS TACHO SENS. EL. BOARD FL 1.021.695.03 PAGE 3

TACHO SENSOR ELECTRONICS 1.021.695.84

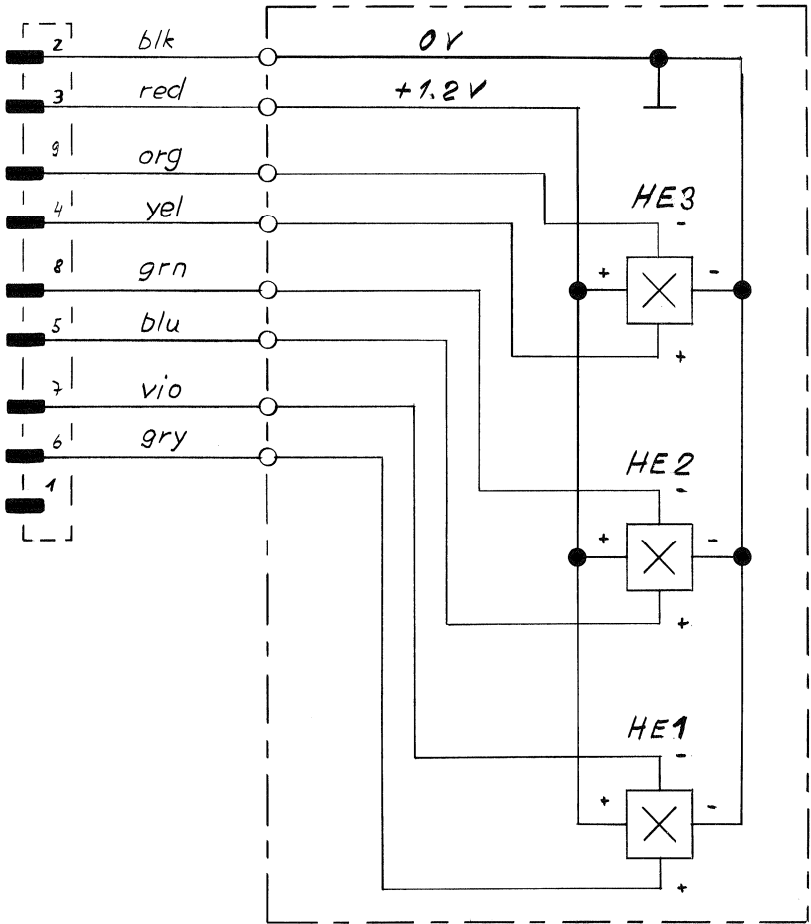


TACHO SENSOR ELECTRONICS 1.021.695.84



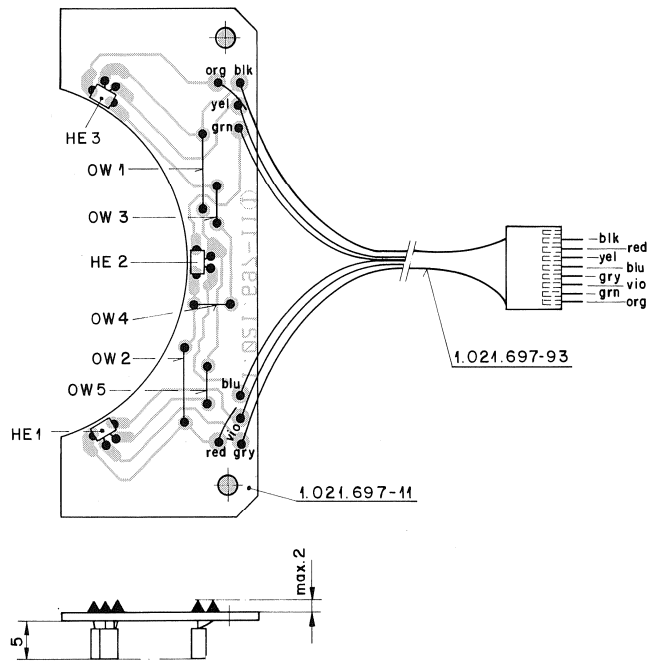
HALL SENSOR BOARD 1.021.697.00

To Tacho Sensor Electronic PCB



03.12.84 BUR
A 820 Tape Transport Section				PAGE 1 OF 1
STUDER	Hall Sensor PCB			SC 1.021.697.00

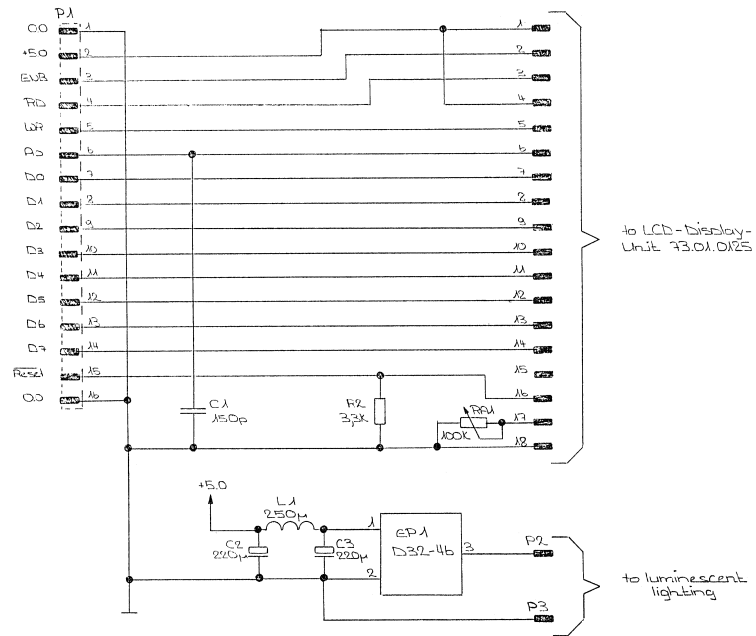
HALL SENSOR BOARD 1.021.697.00



IND.	POS.NO.	PART NO.	VALUE	SPECIFICATIONS / EQUIVALENT	MANUF.
(01)	HE...1	1.010.050.50		IC 50.99.0170 GEBOGEN	
(01)	HE...2	1.010.050.50		IC 50.99.0170 GEBOGEN	
(01)	HE...3	1.010.050.50		IC 50.99.0170 GEBOGEN	
	OW...1	1.010.324.64	10.2 mm	Wire bridge	
	OW...2	1.010.324.64	10.2 mm	Wire bridge	
	OW...3	1.010.321.64	5.0 mm	Wire bridge	
	OW...4	1.010.321.64	5.0 mm	Wire bridge	
	OW...5	1.010.321.64	5.0 mm	Wire bridge	

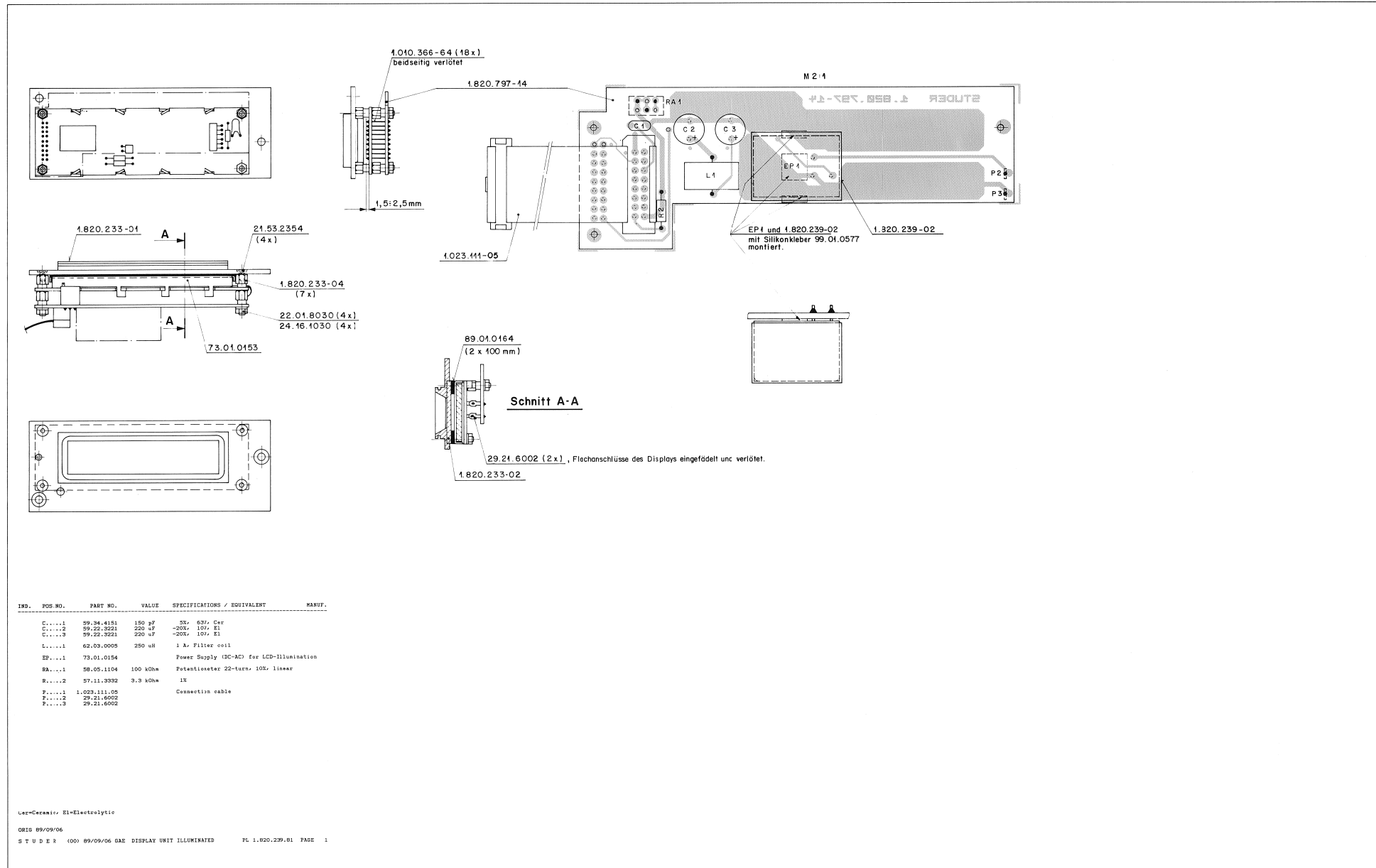
(01) 09.03.87 SERIE ADJUST
 ORIG 87/03/09

DISPLAY UNIT ILLUMINATED 1.820.239.81

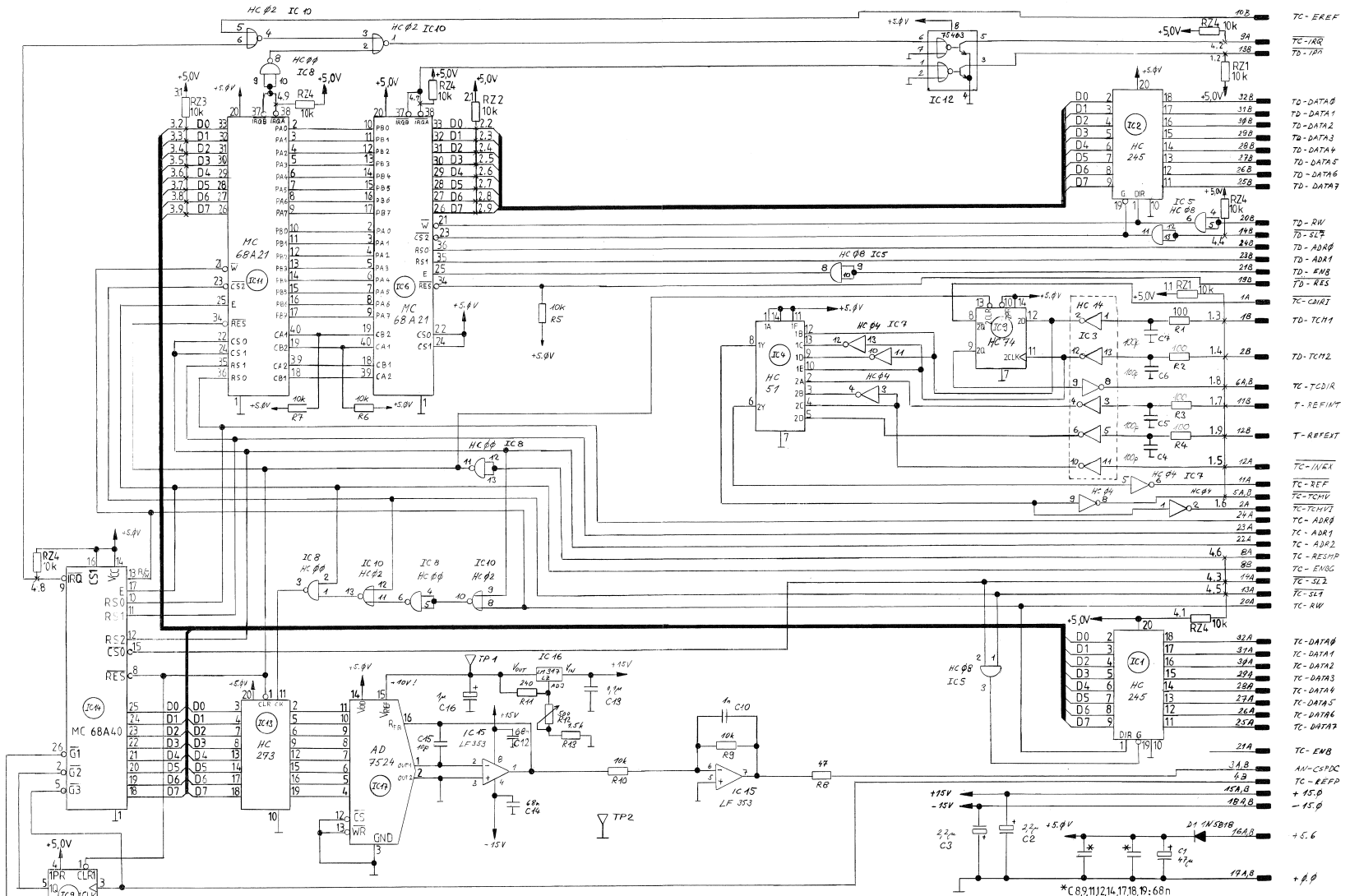


0	24.02.82	0	..	0	..	0	..	0	..
STUDER		n°22.0				PAGE 1 OF 1			
STUDER		Display Connection Board				SC	1.820.239.81		

DISPLAY UNIT ILLUMINATED 1.820.239.81

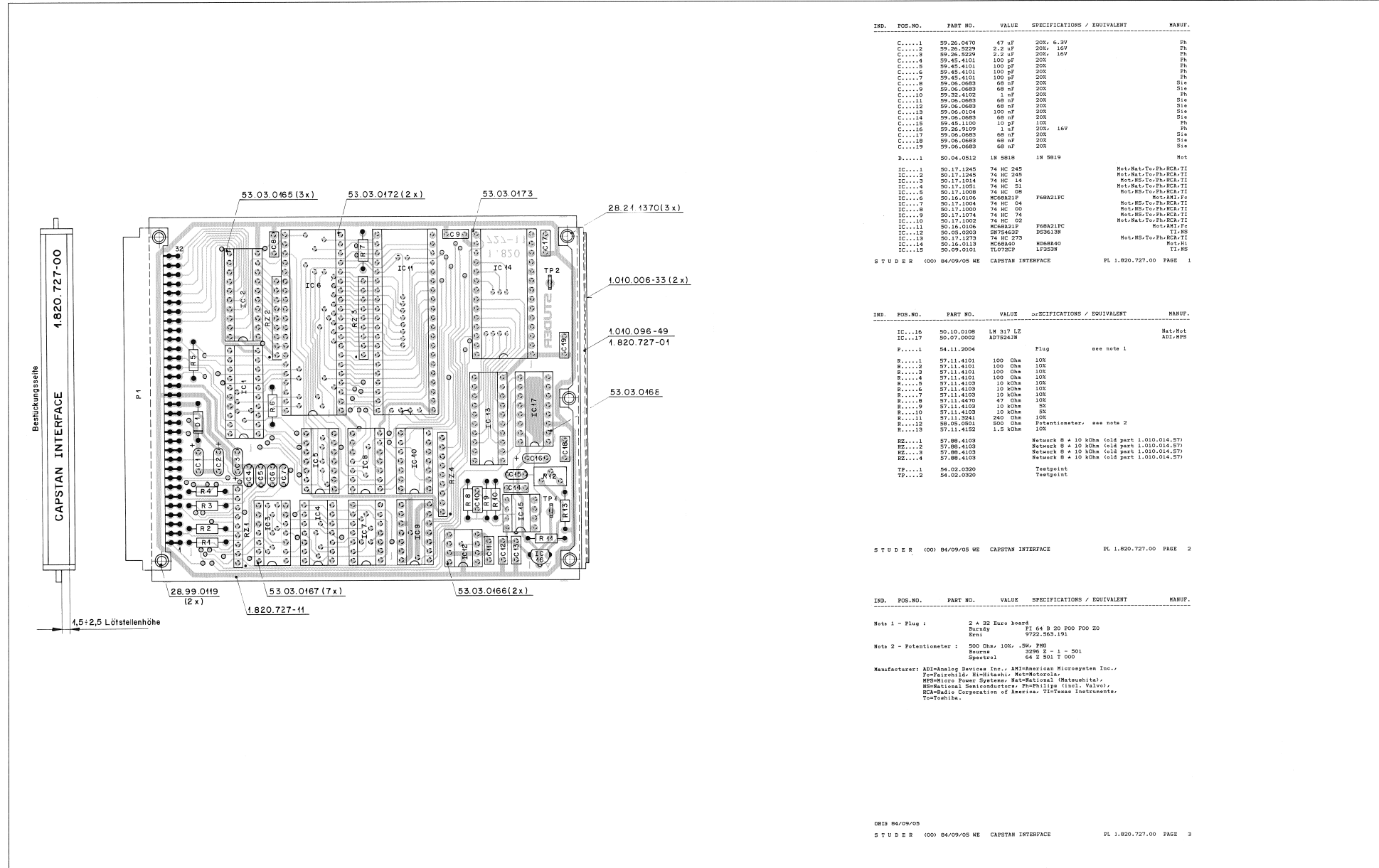


CAPSTAN INTERFACE 1.820.727.00



0	S. 9. 84 HL	A 820 Logic Section	SC 1.820.727.00	PAGE 1 OF 1
STUDER		Capstan Interface		

CAPSTAN INTERFACE 1.820.727.00



IND.	POS.NO.	PART NO.	VALUE	SPECIFICATIONS / EQUIVALENT	MANUF.
C.....1		59.26.0470	47 uF	20%, 6.3V	FR
C.....2		59.26.5229	2.2 uF	20%, 16V	FR
C.....3		59.26.5229	2.2 uF	20%, 16V	FR
C.....4		59.45.4101	100 pF	20%	FR
C.....5		59.45.4101	100 pF	20%	FR
C.....6		59.45.4101	100 pF	20%	FR
C.....7		59.45.4101	100 pF	20%	FR
C.....8		59.06.0683	68 nF	20%	Si*
C.....9		59.06.0683	68 nF	20%	Si*
C.....10		59.32.1022	1 nF	20%	FR
C.....11		59.06.0683	68 nF	20%	Si*
C.....12		59.06.0683	68 nF	20%	Si*
C.....13		59.06.0124	100 nF	20%	Si*
C.....14		59.06.0683	68 nF	20%	Si*
C.....15		59.45.1120	10 pF	10%	FR
C.....16		59.26.9109	1 nF	20%, 16V	FR
C.....17		59.06.0683	68 nF	20%	Si*
C.....18		59.06.0683	68 nF	20%	Si*
C.....19		59.06.0683	68 nF	20%	Si*
D.....1		50.04.0512	1N 5818	1N 5819	Not
IC.....1		50.17.1245	74 HC 245		Not;Not;To;Ph;RCA;TI
IC.....2		50.17.1245	74 HC 245		Not;Not;To;Ph;RCA;TI
IC.....3		50.17.1014	74 HC 14		Not;RS;To;Ph;RCA;TI
IC.....4		50.17.1051	74 HC 51		Not;Not;To;Ph;RCA;TI
IC.....5		50.17.1008	74 HC 08		Not;RS;To;Ph;RCA;TI
IC.....6		50.16.0106	MC68B1P		Not;AMI;Fr
IC.....7		50.17.1004	74 HC 04	F68A21FC	Not;RS;To;Ph;RCA;TI
IC.....8		50.17.1004	74 HC 04		Not;RS;To;Ph;RCA;TI
IC.....9		50.17.1074	74 HC 74		Not;RS;To;Ph;RCA;TI
IC.....10		50.17.1002	74 HC 02		Not;Not;To;Ph;RCA;TI
IC.....11		50.16.0106	MC68B21P	F68A21FC	Not;AMI;Fr
IC.....12		50.00.0205	SN74ALS2P		TI;RS
IC.....13		50.17.1273	74 HC 273	DS9613M	Not;RS;To;Ph;RCA;TI
IC.....14		50.16.1124	MC68BAU	H68BAU	Not
IC.....15		50.09.0101	TLV702P	LF353N	TI;RS

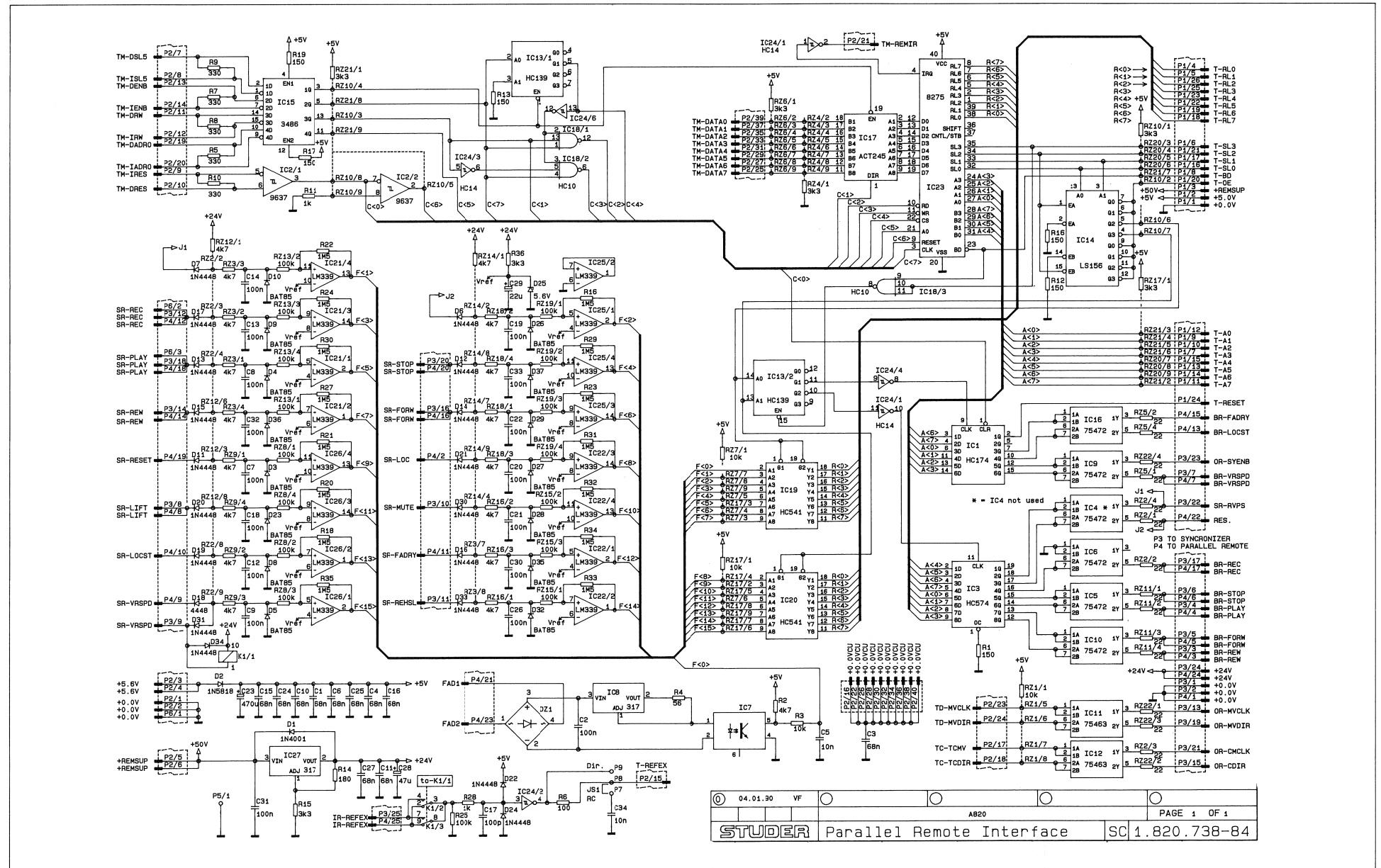
STUDER (00) 84/09/05 WE CAPSTAN INTERFACE PL 1.820.727.00 PAGE 1

IND.	POS.NO.	PART NO.	VALUE	SPECIFICATIONS / EQUIVALENT	MANUF.
IC.....16		50.10.0108	LM 317 LZ		Not;Not
IC.....17		50.07.0002	AD7524JN		ADI;MFS
P.....1		54.11.2004		Plug	see note 1
R.....1		57.11.4101	100 Ohm	10%	
R.....2		57.11.4101	100 Ohm	10%	
R.....3		57.11.4101	100 Ohm	10%	
R.....4		57.11.4101	100 Ohm	10%	
R.....5		57.11.4103	10 Kohm	10%	
R.....6		57.11.4103	10 Kohm	10%	
R.....7		57.11.4103	10 Kohm	10%	
R.....8		57.11.4103	10 Kohm	10%	
R.....9		57.11.4103	10 Kohm	5%	
R.....10		57.11.4103	10 Kohm	5%	
R.....11		57.11.3241	240 Ohm	10%	
R.....12		58.05.0501	500 Ohm	Potentiometer	see note 2
R.....13		57.11.4152	1.5 Kohm	10%	
RZ.....1		57.88.4103		Network 8 * 10 Kohm (old part 1.010.014-57)	
RZ.....2		57.88.4103		Network 8 * 10 Kohm (old part 1.010.014-57)	
RZ.....3		57.88.4103		Network 8 * 10 Kohm (old part 1.010.014-57)	
RZ.....4		57.88.4103		Network 8 * 10 Kohm (old part 1.010.014-57)	
TP.....1		54.02.0320		Testpoint	
TP.....2		54.02.0320		Testpoint	

STUDER (00) 84/09/05 WE CAPSTAN INTERFACE PL 1.820.727.00 PAGE 2

IND.	POS.NO.	PART NO.	VALUE	SPECIFICATIONS / EQUIVALENT	MANUF.
Note 1 - Plug :					
			2 * 32 Euro board		
			Burndy	31 64 B 30 P00 P00 Z0	
			Reitl	9722.963.191	
Note 2 - Potentiometer :					
			500 Ohm, 10%, 5W, PM5		
			Buena	3296 - 1 - 501	
			Spezial	64 2 501 T 000	
Manufacturers: ADI=Analog Devices Inc., AMI=American Microsystems Inc.,					
Fr=Fairchild, Hi=Hitachi, Mot=Motorola,					
MPS=Micro Power Systems, Nat=National (Ratnushita),					
NS=National Semiconductor, Ph=Philips (incl. Valvo),					
RCA=Radio Corporation of America, TI=Texas Instruments,					
To=Toshiba.					
ORIS 84/09/05					
STUDER (00) 84/09/05 WE CAPSTAN INTERFACE				PL 1.820.727.00 PAGE 3	

PARALLEL REMOTE INTERFACE 1.820.738.84



PARALLEL REMOTE INTERFACE 1.820.738.84

53.01.0166 (9 x)
53.03.0165 (4 x)
53.03.0164

53.03.0168 (4 x)
53.03.0172

1.820.738-03
54.01.0024
1.820.738-14

1.010.049-22
1.820.738-01

21.53.0356 (2 x)
24.16.1030 (2 x)

* 50.20.1017
50.20.0305
21.53.0355
50.20.0404

IND.	POS. NO.	PART NO.	VALUE	SPECIFICATIONS / EQUIVALENT	MANUF.
F....7		54.01.0020	Connector	1 contact, .63-.63, H=5.8/3.4	
F....8		54.01.0020	Connector	1 contact, .63-.63, H=5.8/3.4	
F....9		54.01.0020	Connector	1 contact, .63-.63, H=5.8/3.4	
R....1		57.11.3151	150 Ohm	2%	
R....2		57.11.3472	4.7 Kohm	2%	
R....3		57.11.3109	15 Kohm	2%	
R....4		57.11.3560	56 Ohm	2%	
R....5		57.11.3381	330 Ohm	2%	
R....6		57.11.3101	100 Ohm	2%	
R....7		57.11.3381	330 Ohm	2%	
R....8		57.11.3331	330 Ohm	2%	
R....9		57.11.3331	330 Ohm	2%	
R...10		57.11.3331	330 Ohm	2%	
R...11		57.11.3102	15 Kohm	2%	
R...12		57.11.3151	150 Ohm	2%	
R...13		57.11.3151	150 Ohm	2%	
R...14		57.11.3181	180 Ohm	1%	
R...15		57.11.3332	330 Ohm	2%	
R...16		57.11.3151	150 Ohm	2%	
R...17		57.11.3151	150 Ohm	2%	
R...18		57.11.5155	1.5 Mohm	5%	
R...19		57.11.5155	1.5 Mohm	5%	
R...20		57.11.5155	1.5 Mohm	5%	
R...21		57.11.5155	1.5 Mohm	5%	
R...22		57.11.5155	1.5 Mohm	5%	
R...23		57.11.5155	1.5 Mohm	5%	
R...24		57.11.5155	1.5 Mohm	5%	
R...25		57.11.3304	100 Kohm	2%	
R...26		57.11.5155	1.5 Mohm	5%	
R...27		57.11.5155	1.5 Mohm	5%	
R...28		57.11.3102	15 Kohm	2%	
R...29		57.11.5155	1.5 Mohm	5%	
R...30		57.11.5155	1.5 Mohm	5%	
R...31		57.11.5155	1.5 Mohm	5%	
R...32		57.11.5155	1.5 Mohm	5%	
R...33		57.11.5155	1.5 Mohm	5%	

STUDER (01) 90/06/08 VF PARALLEL REMOTE INTERFACE PL.1.820.738.84 PAGE 4

IND.	POS. NO.	PART NO.	VALUE	SPECIFICATIONS / EQUIVALENT	MANUF.
R...34		57.11.5155	1.5 Mohm	5%	
R...35		57.11.5155	1.5 Mohm	5%	
R...36		57.11.3304	100 Kohm	2%	
RZ...1		57.88.4103	Network	8 x 10 Kohm, 2%, single line	
RZ...2		57.88.2220	Network	4 x 22 Ohm, 2%, single line	
RZ...3		57.88.2472	Network	4 x 4.7 Kohm, 2%, single line	
RZ...4		57.88.4332	Network	8 x 3.3 Kohm, 5%, single line	
RZ...5		57.88.2220	Network	4 x 22 Ohm, 2%, single line	
RZ...6		57.88.4332	Network	8 x 3.3 Kohm, 5%, single line	
RZ...7		57.88.4103	Network	8 x 10 Kohm, 2%, single line	
RZ...8		57.88.2104	Network	4 x 100 Kohm, 2%, single line	
RZ...9		57.88.2472	Network	4 x 4.7 Kohm, 2%, single line	
RZ...10		57.88.4332	Network	8 x 3.3 Kohm, 5%, single line	
RZ...11		57.88.2220	Network	4 x 22 Ohm, 2%, single line	
RZ...12		57.88.4472	Network	8 x 4.7 Kohm, 2%, single line	
RZ...13		57.88.2104	Network	4 x 100 Kohm, 2%, single line	
RZ...14		57.88.4472	Network	8 x 4.7 Kohm, 2%, single line	
RZ...15		57.88.2104	Network	4 x 100 Kohm, 2%, single line	
RZ...16		57.88.2472	Network	4 x 4.7 Kohm, 2%, single line	
RZ...17		57.88.4103	Network	8 x 10 Kohm, 2%, single line	
RZ...18		57.88.2472	Network	4 x 4.7 Kohm, 2%, single line	
RZ...19		57.88.4332	Network	8 x 3.3 Kohm, 5%, single line	
RZ...20		57.88.4332	Network	8 x 3.3 Kohm, 5%, single line	
RZ...21		57.88.2104	Network	4 x 100 Kohm, 2%, single line	
RZ...22		57.88.2220	Network	4 x 22 Ohm, 2%, single line	

STUDER (01) 90/06/08 VF PARALLEL REMOTE INTERFACE PL.1.820.738.84 PAGE 5

IND.	POS. NO.	PART NO.	VALUE	SPECIFICATIONS / EQUIVALENT	MANUF.
IC...1		50.17.1174	74 HC 174	. . . 14 HC 174 .	Met-NS-Fn-RCA/SGS/TL/To
IC...2		50.15.0114	48V8741C	. . . 48V8741C	Met-NS-Fn-RCA/SGS/TL/To
IC...3		50.17.1174	74 HC 574	. . . 14 HC 574 .	Met-NS-Fn-RCA/SGS/TL/To
IC...4		50.05.0227	SN 75462P	. . . 75462P	TI
IC...5		50.05.0227	SN 75462P	. . . 75462P	TI
IC...6		50.05.0227	SN 75462P	. . . 75462P	TI
IC...7		50.09.0106	48 Ohm	48 Ohm	NS/Mot
IC...8		50.10.0108	LM 317 L2	. . . 317 L2	NS/Mot
IC...9		50.05.0227	SN 75462P	. . . 75462P	TI
IC...10		50.05.0227	SN 75462P	. . . 75462P	TI
IC...11		50.05.0227	SN 75462P	. . . 75462P	TI
IC...12		50.05.0227	SN 75462P	. . . 75462P	TI
IC...13		50.17.1190	74 HC 139	. . . 14 HC 139 .	Met-NS-Fn-RCA/SGS/TL/To
IC...14		50.06.0156	74 LS 156	SN 74 LS 156 R	Met-NS/TL
IC...15		50.15.0104	SN 7489 P	SN 7489 R	Met-NS/TL
IC...16		50.05.0227	SN 75462P	. . . 75462P	TI
IC...17		50.17.1445	74HC 1445	. . . 14HC 1445	Met-NS/TL
IC...18		50.17.1410	74 HC 10	. . . 14 HC 10 .	Met-NS-Fn-RCA/SGS/TL/To
IC...19		50.17.1541	74 HC 541	. . . 14 HC 541 .	Met-NS-Fn-RCA/SGS/TL/To
IC...20		50.17.1541	74 HC 541	. . . 14 HC 541 .	Met-NS-Fn-RCA/SGS/TL/To
IC...21		50.11.0104	LM 339 AM	339 A/D 339	Met-NS/TL
IC...22		50.11.0104	LM 339 AM	339 A/D 339	Met-NS/TL
IC...23		50.10.0111	12 8270-5	NSL 8270 P	Met-NS/TL
IC...24		50.17.1114	74 HC 14	. . . 14 HC 14	Met-NS-Fn-RCA/TL/To
IC...25		50.11.0104	LM 339 AM	339 A/D 339	Met-NS/TL
IC...26		50.11.0104	LM 339 AM	339 A/D 339	Met-NS/TL
IC...27		50.10.0104	LM 317 P	LM 317 P	NS/Mot/TL/To
K....1		56.04.0197	24 V 24U	12V/ 24 V MS/AU	
F....1		54.14.2003	Connector	26 contacts, flat cable	
F....2		54.14.2004	Connector	40 contacts, flat cable	
F....3		54.14.2003	Connector	26 contacts, flat cable	
F....4		54.14.2003	Connector	26 contacts, flat cable	
F....5		54.14.2003	Connector	26 contacts, flat cable	
F....6		54.99.0113	Connector	4 contacts, straight AMP	

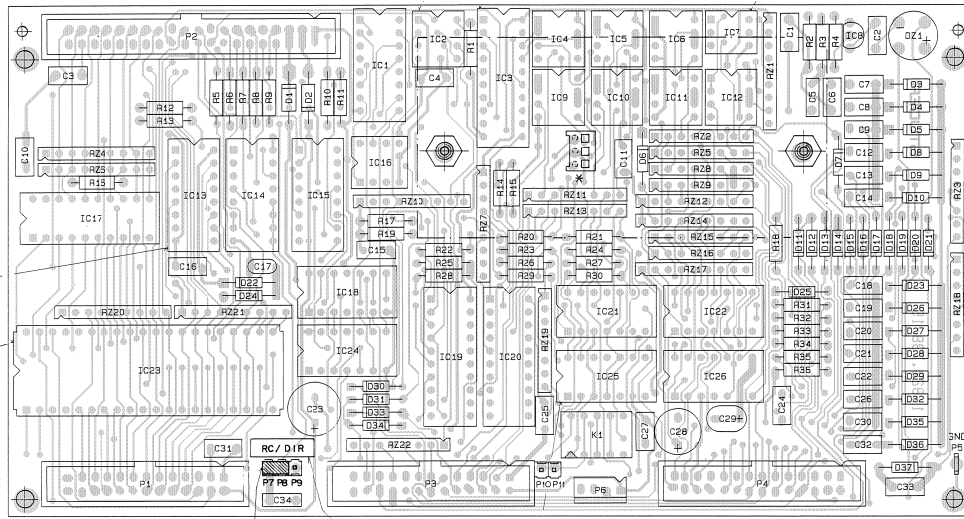
ORIG 90/01/04 (01) 90/06/08

IND.	POS. NO.	PART NO.	VALUE	SPECIFICATIONS / EQUIVALENT	MANUF.
D...1		50.04.0122	1R 4001	1R4004	Met
D...2		50.04.0512	1R 5818	1R 5819	Met

STUDER (01) 90/06/08 VF PARALLEL REMOTE INTERFACE PL.1.820.738.84 PAGE 1

IND.	POS. NO.	PART NO.	VALUE	SPECIFICATIONS / EQUIVALENT	MANUF.
D....3		50.04.0127	BAT 85	MAS 40-02	Fn-51a
D....4		50.04.0127	BAT 85	MAS 40-02	Fn-51a
D....5		50.04.0127	BAT 85	MAS 40-02	Fn-51a
D....6		50.04.0128	1R 4440		Fo-ITT-Fn-51a
D....7		50.04.0128	1R 4440		Fo-ITT-Fn-51a
D....8		50.04.0127	BAT 85	MAS 40-02	Fn-51a
D....9		50.04.0127	BAT 85	MAS 40-02	Fn-51a
D...10		50.04.0128	1R 4440		Fo-ITT-Fn-51a
D...11		50.04.0128	1R 4440		Fo-ITT-Fn-51a
D...12		50.04.0128	1R 4440		Fo-ITT-Fn-51a
D...13		50.04.0128	1R 4440		Fo-ITT-Fn-51a
D...14		50.04.0128	1R 4440		Fo-ITT-Fn-51a
D...15		50.04.0128	1R 4440		Fo-ITT-Fn-51a
D...16		50.04.0128	1R 4440		Fo-ITT-Fn-51a
D...17		50.04.0128	1R 4440		Fo-ITT-Fn-51a
D...18		50.04.0128	1R 4440		Fo-ITT-Fn-51a
D...19		50.04.0128	1R 4440		Fo-ITT-Fn-51a
D...20		50.04.0128	1R 4440		Fo-ITT-Fn-51a
D...21		50.04.0128	1R 4440		Fo-ITT-Fn-51a
D...22		50.04.0128	1R 4440		Fo-ITT-Fn-51a
D...23		50.04.0127	BAT 85	MAS 40-02	Fn-51a
D...24		50.04.0128	1R 4440		Fo-ITT-Fn-51a
D...25		50.04.1108	5.6 V Z	5K263 C 5V6, 5K255 C 5V6, 5.6 V	ITT-51a
D...26		50.04.0127	BAT 85	MAS 40-02	Fn-51a
D...27		50.04.0127	BAT 85	MAS 40-02	Fn-51a
D...28		50.04.0128	1R 4440		Fo-ITT-Fn-51a
D...29		50.04.0127	BAT 85	MAS 40-02	Fn-51a
D...30		50.04.0128	1R 4440		Fo-ITT-Fn-51a
D...31		50.04.0128	1R 4440		Fo-ITT-Fn-51a
D...32		50.04.0128	1R 4440		Fo-ITT-Fn-51a
D...33		50.04.0128	1R 4440		Fo-ITT-Fn-51a
D...34		50.04.0127	BAT 85	MAS 40-02	Fn-51a
D...35		50.04.0127	BAT 85	MAS 40-02	Fn-51a
D...36		50.04.0127	BAT 85	MAS 40-02	Fn-51a
D...37		50.04.0127	BAT 85	MAS 40-02	Fn-51a
D...38		50.04.0127	BAT 85	MAS 40-02	Fn-51a
D...39		50.04.0127	BAT 85	MAS 40-02	Fn-51a
D...40		50.04.0127	BAT 85	MAS 40-02	Fn-51a
D...41		50.04.0127	BAT 85	MAS 40-02	Fn-51a
D...42		50.04.0127	BAT 85	MAS 40-02	Fn-51a
D...43		50.04.0127	BAT 85	MAS 40-02	Fn-51a
D...44		50.04.0127	BAT 85	MAS 40-02	Fn-51a
D...45		50.04.0127	BAT 85	MAS 40-02	Fn-51a
D...46		50.04.0127	BAT 85	MAS 40-02	Fn-51a
D...47		50.04.0127	BAT 85	MAS 40-02	Fn-51a
D...48		50.04.0127	BAT 85	MAS 40-02	Fn-51a
D...49		50.04.0127	BAT 85	MAS 40-02	Fn-51a
D...50		50.04.0127	BAT 85	MAS 40-02	Fn-51a
D...51		50.04.0127	BAT 85	MAS 40-02	Fn-51a
D...52		50.04.0127	BAT 85	MAS 40-02	Fn-51a
D...53		50.04.0127	BAT 85	MAS 40-02	Fn-51a
D...54		50.04.0127	BAT 85	MAS 40-02	Fn-51a
D...55		50.04.0127	BAT 85	MAS 40-02	Fn-51a
D...56		50.04.0127	BAT 85	MAS 40-02	Fn-51a
D...57		50.04.0127	BAT 85	MAS 40-02	Fn-51a
D...58		50.04.0127	BAT 85	MAS 40-02	Fn-51a
D...59		50.04.0127	BAT 85	MAS 40-02	Fn-51a
D...60		50.04.0127	BAT 85	MAS 40-02	Fn-51a
D...61		50.04.0127	BAT 85	MAS 40-02	Fn-51a
D...62		50.04.0127	BAT 85	MAS 40-02	Fn-51a
D...63		50.04.0127	BAT 85	MAS 40-02	Fn-51a
D...64		50.04.0127	BAT 85	MAS 40-02	Fn-51a
D...65		50.04.0127	BAT 85	MAS 40-02	Fn-51a
D...66		50.04.012			

PARALLEL REMOTE INTERFACE 1.820.738.85



53.03.0168
(4 x)

53.03.0172

1.820.738-03
54.01.0024

1.820.738-15

53.03.0167
(6 x)

50.20.1017

4.040.049-22

1.820.738-01

24.53.0356 (2 x)

24.16.1030 (2 x)

24.53.0355

50.20.0404

Montage und Montagmaterial
nach BV 632

IND.	POS.NO.	PART NO.	VALUE	SPECIFICATIONS / EQUIVALENT	MANUF.
P....9	54.01.0020	Connector	1 contact	.63x.63, H=5,8/3,4	
P....10	54.01.0020	Connector	1 contact	.63x.63, H=5,8/3,4	
P....11	54.01.0020	Connector	1 contact	.63x.63, H=5,8/3,4	
R....1	57.11.3151	150 Ohm 2%			
R....2	57.11.3472	4,7 kOhm 2%			
R....3	57.11.3103	10 kOhm 2%			
R....4	57.11.3560	56 Ohm 2%			
R....5	57.11.3351	300 Ohm 2%			
R....6	57.11.3101	100 Ohm 2%			
R....7	57.11.3351	300 Ohm 2%			
R....8	57.11.3331	300 Ohm 2%			
R....9	57.11.3331	300 Ohm 2%			
R....10	57.11.3331	300 Ohm 2%			
R....11	57.11.3102	1 kOhm 2%			
R....12	57.11.3151	150 Ohm 2%			
R....13	57.11.3103	10 kOhm 2%			
R....14	57.11.3101	100 Ohm 1%			
R....15	57.11.3352	3,3 kOhm 2%			
R....16	57.11.3151	150 Ohm 2%			
R....17	57.11.3151	150 Ohm 2%			
R....18	57.11.5155	1,5 kOhm 5%			
R....19	57.11.5151	150 Ohm 5%			
R....20	57.11.5155	1,5 kOhm 5%			
R....21	57.11.5155	1,5 kOhm 5%			
R....22	57.11.5155	1,5 kOhm 5%			
R....23	57.11.5155	1,5 kOhm 5%			
R....24	57.11.5155	1,5 kOhm 5%			
R....25	57.11.5155	1,5 kOhm 5%			
R....26	57.11.5155	1,5 kOhm 5%			
R....27	57.11.5155	1,5 kOhm 5%			
R....28	57.11.3102	1 kOhm 2%			
R....29	57.11.5155	1,5 kOhm 5%			
R....30	57.11.5155	1,5 kOhm 5%			
R....31	57.11.5155	1,5 kOhm 5%			
R....32	57.11.5155	1,5 kOhm 5%			

STUDER (00) 91/02/15 VF PARALLEL REMOTE INTERFACE PL 1.820.738.85 PAGE 4

IND.	POS.NO.	PART NO.	VALUE	SPECIFICATIONS / EQUIVALENT	MANUF.
R....33	57.11.5155	1,5 kOhm 5%			
R....34	57.11.5155	1,5 kOhm 5%			
R....35	57.11.5155	1,5 kOhm 5%			
R....36	57.11.3332	3,3 kOhm 2%			
RS...1	57.88.4103	Network	0 * 10 kOhm, 2%	single line	
RS...2	57.88.2220	Network	0 * 22 Ohm, 2%	single line	
RS...3	57.88.2472	Network	0 * 4,7 kOhm, 2%	single line	
RS...4	57.88.4332	Network	0 * 3,3 kOhm, 2%	single line	
RS...5	57.88.2220	Network	0 * 22 Ohm, 2%	single line	
RS...6	57.88.4332	Network	0 * 3,3 kOhm, 2%	single line	
RS...7	57.88.4103	Network	0 * 10 kOhm, 2%	single line	
RS...8	57.88.2104	Network	0 * 100 kOhm, 2%	single line	
RS...9	57.88.2472	Network	0 * 4,7 kOhm, 2%	single line	
RS...10	57.88.4332	Network	0 * 3,3 kOhm, 2%	single line	
RS...11	57.88.2220	Network	0 * 22 Ohm, 2%	single line	
RS...12	57.88.4472	Network	0 * 4,7 kOhm, 2%	single line	
RS...13	57.88.2104	Network	0 * 100 kOhm, 2%	single line	
RS...14	57.88.2472	Network	0 * 4,7 kOhm, 2%	single line	
RS...15	57.88.2104	Network	0 * 100 kOhm, 2%	single line	
RS...16	57.88.2472	Network	0 * 4,7 kOhm, 2%	single line	
RS...17	57.88.4103	Network	0 * 10 kOhm, 2%	single line	
RS...18	57.88.2104	Network	0 * 100 kOhm, 2%	single line	
RS...19	57.88.2104	Network	0 * 100 kOhm, 2%	single line	
RS...20	57.88.4332	Network	0 * 3,3 kOhm, 2%	single line	
RS...21	57.88.4332	Network	0 * 3,3 kOhm, 2%	single line	
RS...22	57.88.2220	Network	0 * 22 Ohm, 2%	single line	

STUDER (00) 91/02/15 VF PARALLEL REMOTE INTERFACE PL 1.820.738.85 PAGE 5

IND.	POS.NO.	PART NO.	VALUE	SPECIFICATIONS / EQUIVALENT	MANUF.
C....1	59.40.0683	68 nF	-10%	Y2P	
C....2	59.40.0104	0,1 uF	-10%	Y2P	
C....3	59.40.0683	68 nF	-10%	Y2P	
C....4	59.40.0683	68 nF	-10%	Y2P	
C....5	59.40.0103	0,1 uF	-10%	Y2P	
C....6	59.40.0683	68 nF	-10%	Y2P	
C....7	59.40.0104	0,1 uF	-10%	Y2P	
C....8	59.40.0104	0,1 uF	-10%	Y2P	
C....9	59.40.0104	0,1 uF	-10%	Y2P	
C....10	59.40.0104	0,1 uF	-10%	Y2P	
C....11	59.40.0104	0,1 uF	-10%	Y2P	
C....12	59.40.0104	0,1 uF	-10%	Y2P	
C....13	59.40.0104	0,1 uF	-10%	Y2P	
C....14	59.40.0104	0,1 uF	-10%	Y2P	
C....15	59.40.0683	68 nF	-10%	Y2P	
C....16	59.40.0683	68 nF	-10%	Y2P	
C....17	59.40.0104	0,1 uF	-10%	Y2P	
C....18	59.40.0104	0,1 uF	-10%	Y2P	
C....19	59.40.0104	0,1 uF	-10%	Y2P	
C....20	59.40.0104	0,1 uF	-10%	Y2P	
C....21	59.40.0104	0,1 uF	-10%	Y2P	
C....22	59.40.0104	0,1 uF	-10%	Y2P	
C....23	59.22.3471	470 uF	-20%	10V, EL	
C....24	59.40.0683	68 nF	-10%	Y2P	
C....25	59.40.0683	68 nF	-10%	Y2P	
C....26	59.40.0104	0,1 uF	-10%	Y2P	
C....27	59.40.0683	68 nF	-10%	Y2P	
C....28	59.41.6470	47 uF	-20%	40V, EL	
C....29	59.42.1220	22 uF	-20%	10V, EL	
C....30	59.40.0104	0,1 uF	-10%	Y2P	
C....31	59.40.0104	0,1 uF	-10%	Y2P	
C....32	59.40.0104	0,1 uF	-10%	Y2P	
C....33	59.40.0104	0,1 uF	-10%	Y2P	
C....34	59.40.0103	0,1 uF	-10%	Y2P	
D....1	50.04.0122	1N 4001	1N4004	Met	
D....2	50.04.0122	1N 5818	1N 5818	Met	

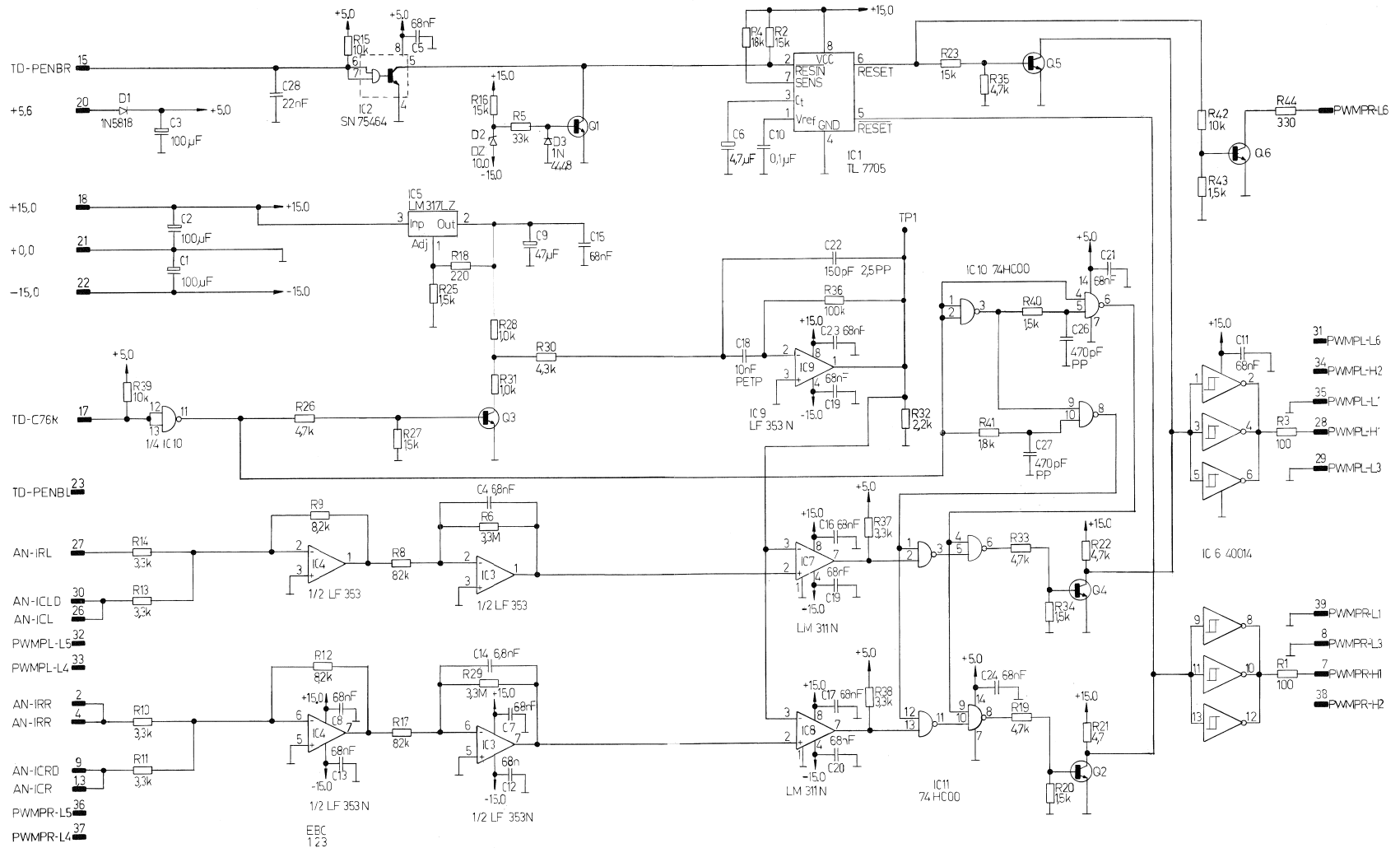
STUDER (00) 91/02/15 VF PARALLEL REMOTE INTERFACE PL 1.820.738.85 PAGE 1

IND.	POS.NO.	PART NO.	VALUE	SPECIFICATIONS / EQUIVALENT	MANUF.
D....3	50.04.0127	BAT 85	BAS 40-02	Ph.Sie	
D....4	50.04.0127	BAT 85	BAS 40-02	Ph.Sie	
D....5	50.04.0127	BAT 85	BAS 40-02	Ph.Sie	
D....6	50.04.0127	BAT 85	BAS 40-02	Ph.Sie	
D....7	50.04.0125	1N 4449	BAS 40-02	Fe:ITT-Ph-See	
D....8	50.04.0127	BAT 85	BAS 40-02	Ph.Sie	
D....9	50.04.0127	BAT 85	BAS 40-02	Ph.Sie	
D....10	50.04.0127	BAT 85	BAS 40-02	Ph.Sie	
D....11	50.04.0125	1N 4449	BAS 40-02	Fe:ITT-Ph-See	
D....12	50.04.0125	1N 4449	BAS 40-02	Fe:ITT-Ph-See	
D....13	50.04.0125	1N 4449	BAS 40-02	Fe:ITT-Ph-See	
D....14	50.04.0125	1N 4449	BAS 40-02	Fe:ITT-Ph-See	
D....15	50.04.0125	1N 4449	BAS 40-02	Fe:ITT-Ph-See	
D....16	50.04.0125	1N 4449	BAS 40-02	Fe:ITT-Ph-See	
D....17	50.04.0125	1N 4449	BAS 40-02	Fe:ITT-Ph-See	
D....18	50.04.0125	1N 4449	BAS 40-02	Fe:ITT-Ph-See	
D....19	50.04.0125	1N 4449	BAS 40-02	Fe:ITT-Ph-See	
D....20	50.04.0125	1N 4449	BAS 40-02	Fe:ITT-Ph-See	
D....21	50.04.0125	1N 4449	BAS 40-02	Fe:ITT-Ph-See	
D....22	50.04.0125	1N 4449	BAS 40-02	Fe:ITT-Ph-See	
D....23	50.04.0127	BAT 85	BAS 40-02	Ph.Sie	
D....24	50.04.0125	1N 4449	BAS 40-02	Fe:ITT-Ph-See	
D....25	50.04.1108	2 5 V	2K283 C 5V6, 2K25 C 5V6, 2PD 5,6	Ph.Sie	
D....26	50.04.0127	BAT 85	BAS 40-02	Ph.Sie	
D....27	50.04.0127	BAT 85	BAS 40-02	Ph.Sie	
D....28	50.04.0127	BAT 85	BAS 40-02	Ph.Sie	
D....29	50.04.0127	BAT 85	BAS 40-02	Ph.Sie	
D....30	50.04.0125	1N 4449	BAS 40-02	Fe:ITT-Ph-See	
D....31	50.04.0125	1N 4449	BAS 40-02	Fe:ITT-Ph-See	
D....32	50.04.0127	BAT 85	BAS 40-02	Ph.Sie	
D....33	50.04.0125	1N 4449	BAS 40-02	Fe:ITT-Ph-See	
D....34	50.04.0125	1N 4449	BAS 40-02	Fe:ITT-Ph-See	
D....35	50.04.0127	BAT 85	BAS 40-02	Ph.Sie	
D....36	50.04.0127	BAT 85	BAS 40-02	Ph.Sie	
D....37	50.04.0127	BAT 85	BAS 40-02	Ph.Sie	
D....38	50.04.0127	BAT 85	BAS 40-02	Ph.Sie	
D....39	50.04.0127	BAT 85	BAS 40-02	Ph.Sie	
D....40	50.04.0127	BAT 85	BAS 40-02	Ph.Sie	
D....41	70.01.0223	3 250 C 800 SI	SI-Met		

STUDER (00) 91/02/15 VF PARALLEL REMOTE INTERFACE PL 1.820.738.85 PAGE 2

IND.	POS.NO.	PART NO.	VALUE	SPECIFICATIONS / EQUIVALENT	MANUF.
IC...1	50.17.1174	74 HC 174	. 34 RC 174	Met-MS-Ph.RCA.SS5/TI,To	
IC...2	50.15.0114	LM5731C	LM5731C	Fe:TI	
IC...3	50.17.1174	74 HC 174	. 34 RC 174	Met-MS-Ph.RCA.SS5/TI,To	
IC...4	50.17.1174	74 HC 174	. 34 RC 174	Met-MS-Ph.RCA.SS5/TI,To	
IC...5	50.05.0227	SN 75462P	SN 75462P	TI	
IC...6	50.05.0227	SN 75462P	SN 75462P	TI	
IC...7	50.09.0126	48 28	48 28	Met	
IC...8	50.15.0114	LM5731C	LM5731C	Fe:TI	
IC...9	50.05.0227	SN 75462P	SN 75462P	TI	
IC...10	50.05.0227	SN 75462P	SN 75462P	TI	
IC...11	50.05.0227	SN 75462P	SN 75462P	TI	
IC...12	50.05.0227	SN 75462P	SN 75462P	TI	
IC...13	50.17.1139	74 HC 139	. 34 RC 139	Met-MS-Ph.RCA.SS5/TI,To	
IC...14	50.06.0156	74 LS 156	SN 74 LS 156 M	Fe:RO-T	
IC...15	50.13.0117	8C 3486 P	8C 3486 P	Met-MS	
IC...16	50.05.0227	SN 75462P	SN 75462P	TI	
IC...17	50.17.1142	74 HC 142	SN 74 HC 142	Fe:TI	
IC...18	50.17.1110	74 HC 110	. 34 RC 110	Met-MS-Ph.RCA.SS5/TI,To	
IC...19	50.17.1141	74 HC 141	. 34 RC 141	Met-MS-Ph.RCA.SS5/TI,To	
IC...20	50.17.1161	74 HC 161	. 34 RC 161	Met-MS-Ph.RCA.SS5/TI,To	

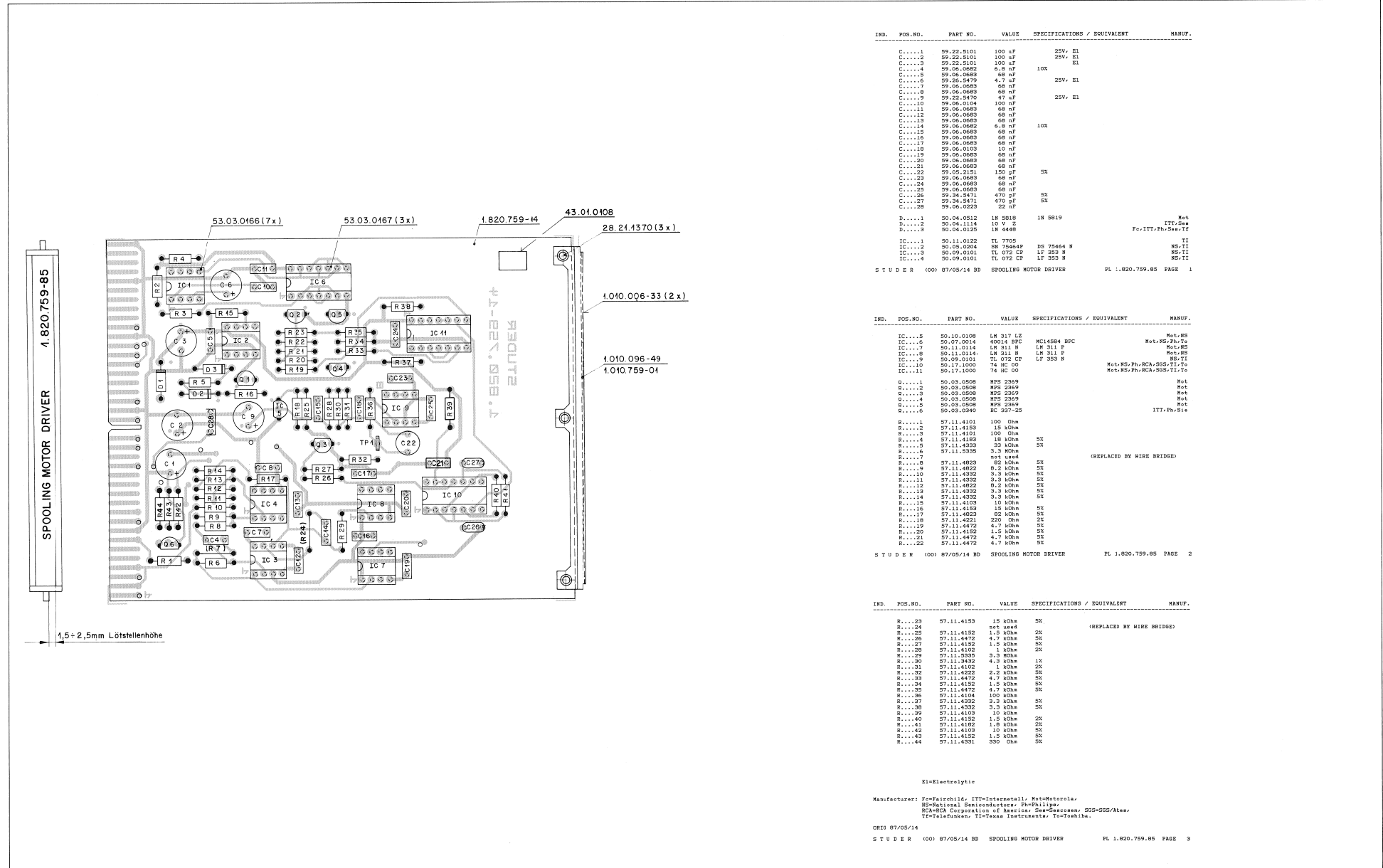
SPOOLING MOTOR DRIVER 1.820.759.85



- Q1, Q2, Q3, Q4, Q5: MPS 2369 IC 3, IC 4, IC 9: LF 353 / TL 072
 IC 5: LM 317 LZ Q6: BC 337-25

740587	IVA						
STUDER A820 Tape Transport Section							PAGE 1 OF 1
Spooling Motor Driver							SC 1.820.759.85

SPOOLING MOTOR DRIVER 1.820.759.85



IND.	POS.NO.	PART NO.	VALUE	SPECIFICATIONS / EQUIVALENT	MANUF.
C....1	59.22.0101	100 uF		25V, E1	
C....2	59.22.0101	100 uF		25V, E1	
C....3	59.22.0101	100 uF		E1	
C....4	59.06.0682	6,8 nF		10X	
C....5	59.06.0689	68 nF			
C....6	59.06.0479	4,7 uF		25V, E1	
C....7	59.06.0689	68 nF			
C....8	59.06.0689	68 nF			
C....9	59.22.0470	47 uF		25V, E1	
C....10	59.06.0104	100 uF			
C....11	59.06.0689	68 nF			
C....12	59.06.0689	68 nF			
C....13	59.06.0689	68 nF			
C....14	59.06.0682	6,8 nF		10X	
C....15	59.06.0689	68 nF			
C....16	59.06.0689	68 nF			
C....17	59.06.0689	68 nF			
C....18	59.06.0103	10 nF			
C....19	59.06.0689	68 nF			
C....20	59.06.0689	68 nF			
C....21	59.06.0689	68 nF			
C....22	59.05.2151	150 nF		5X	
C....23	59.06.0689	68 nF			
C....24	59.06.0689	68 nF			
C....25	59.06.0689	68 nF			
C....26	59.34.5471	470 uF		5X	
C....27	59.34.5471	470 uF		5X	
C....28	59.06.0223	22 nF			
D....1	50.04.0512	1N 5818		1N 5819	Not
D....2	50.04.1114	10 V Z			ITT,See
D....3	50.04.0125	1N 4468			Te,ITT,Ph,See,TF
IC....1	50.11.0122	TL 7705			TI
IC....2	50.05.0204	SN 75464P		DS 75464 M	MS,TI
IC....3	50.09.0101	TL 072 CP		LF 353 N	MS,II
IC....4	50.09.0101	TL 072 CP		LF 353 N	MS,II

S T U D E R (00) 87/05/14 BD SPOOLING MOTOR DRIVER PL 1.820.759.05 PAGE 1

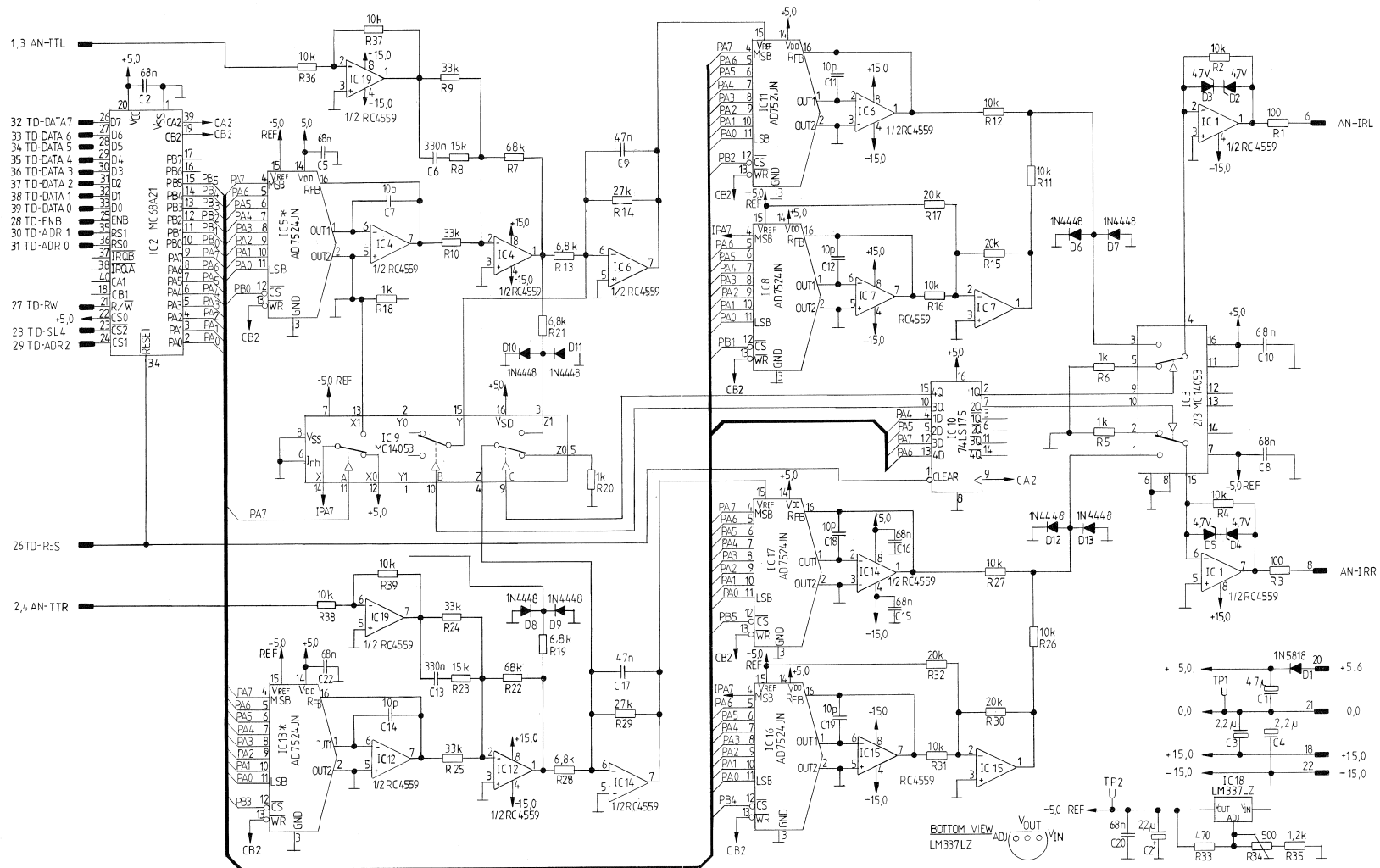
IND.	POS.NO.	PART NO.	VALUE	SPECIFICATIONS / EQUIVALENT	MANUF.
IC....5	50.10.0109	LM 317 L2			Not,MS
IC....6	50.07.0018	40014 BPC		MC14584 BPC	Not,MS,Ph,Te
IC....7	50.11.0114	LM 311 N		LM 311 F	Not,MS
IC....8	50.11.0114	LM 311 N		LM 311 F	Not,MS
IC....9	50.09.0101	TL 072 CP		LF 353 N	MS,TI
IC....10	50.17.1000	74 HC 00			Not,MS,Ph,BCA,SGS,TI,Te
IC....11	50.17.1000	74 HC 00			Not,MS,Ph,BCA,SGS,TI,Te
Q....1	50.03.0508	MPS 2369			Not
Q....2	50.03.0508	MPS 2369			Not
Q....3	50.03.0508	MPS 2369			Not
Q....4	50.03.0508	MPS 2369			Not
Q....5	50.03.0508	MPS 2369			Not
Q....6	50.03.0340	BC 337-2S			ITT,Ph,See
R....1	57.11.4151	100 Ohm			
R....2	57.11.4153	15 kOhm			
R....3	57.11.4101	100 Ohm			
R....4	57.11.4189	18 kOhm		5X	
R....5	57.11.4332	33 kOhm		5X	
R....6	57.11.0395	3,3 kOhm			
R....7	57.11.4823	not used			(REPLACED BY WIRE BRIDGE)
R....8	57.11.4823	82 kOhm		5X	
R....9	57.11.4822	8,2 kOhm		5X	
R....10	57.11.4332	3,3 kOhm		5X	
R....11	57.11.4332	3,3 kOhm		5X	
R....12	57.11.4822	8,2 kOhm		5X	
R....13	57.11.4332	3,3 kOhm		5X	
R....14	57.11.4332	3,3 kOhm		5X	
R....15	57.11.4103	10 kOhm		5X	
R....16	57.11.4153	15 kOhm		5X	
R....17	57.11.4823	82 kOhm		5X	
R....18	57.11.4221	220 Ohm		2X	
R....19	57.11.4472	4,7 kOhm		5X	
R....20	57.11.4152	1,5 kOhm		5X	
R....21	57.11.4472	4,7 kOhm		5X	
R....22	57.11.4472	4,7 kOhm		5X	

S T U D E R (00) 87/05/14 BD SPOOLING MOTOR DRIVER PL 1.820.759.05 PAGE 2

IND.	POS.NO.	PART NO.	VALUE	SPECIFICATIONS / EQUIVALENT	MANUF.
R....23	57.11.4153	15 kOhm		5X	
R....24	57.11.4152	not used			(REPLACED BY WIRE BRIDGE)
R....25	57.11.4152	1,5 kOhm		2X	
R....26	57.11.4472	4,7 kOhm		5X	
R....27	57.11.4152	1,5 kOhm		5X	
R....28	57.11.4102	3,3 kOhm		5X	
R....29	57.11.4332	3,3 kOhm		5X	
R....30	57.11.3482	4,3 kOhm		1X	
R....31	57.11.4102	10 kOhm		2X	
R....32	57.11.4222	2,2 kOhm		5X	
R....33	57.11.4472	4,7 kOhm		5X	
R....34	57.11.4152	1,5 kOhm		5X	
R....35	57.11.4472	4,7 kOhm		5X	
R....36	57.11.4104	100 kOhm		5X	
R....37	57.11.4332	3,3 kOhm		5X	
R....38	57.11.4332	3,3 kOhm		5X	
R....39	57.11.4103	10 kOhm		5X	
R....40	57.11.4152	1,5 kOhm		2X	
R....41	57.11.4102	10 kOhm		2X	
R....42	57.11.4103	10 kOhm		5X	
R....43	57.11.4152	1,5 kOhm		5X	
R....44	57.11.4331	330 Ohm		5X	

El=Electrolytic
 Manufacturer: Fo=Fairchild, ITT=Intershall, Not=Motorola,
 ND=National Semiconductor, Ph=Philips,
 RCA=RCA Corporation of America, See=Seebeck, SGS=SGS/Atas,
 Te=Telefunken, TI=Texas Instruments, To=Tohiba.
 ORIG 87/05/14
 S T U D E R (00) 87/05/14 BD SPOOLING MOTOR DRIVER PL 1.820.759.05 PAGE 3

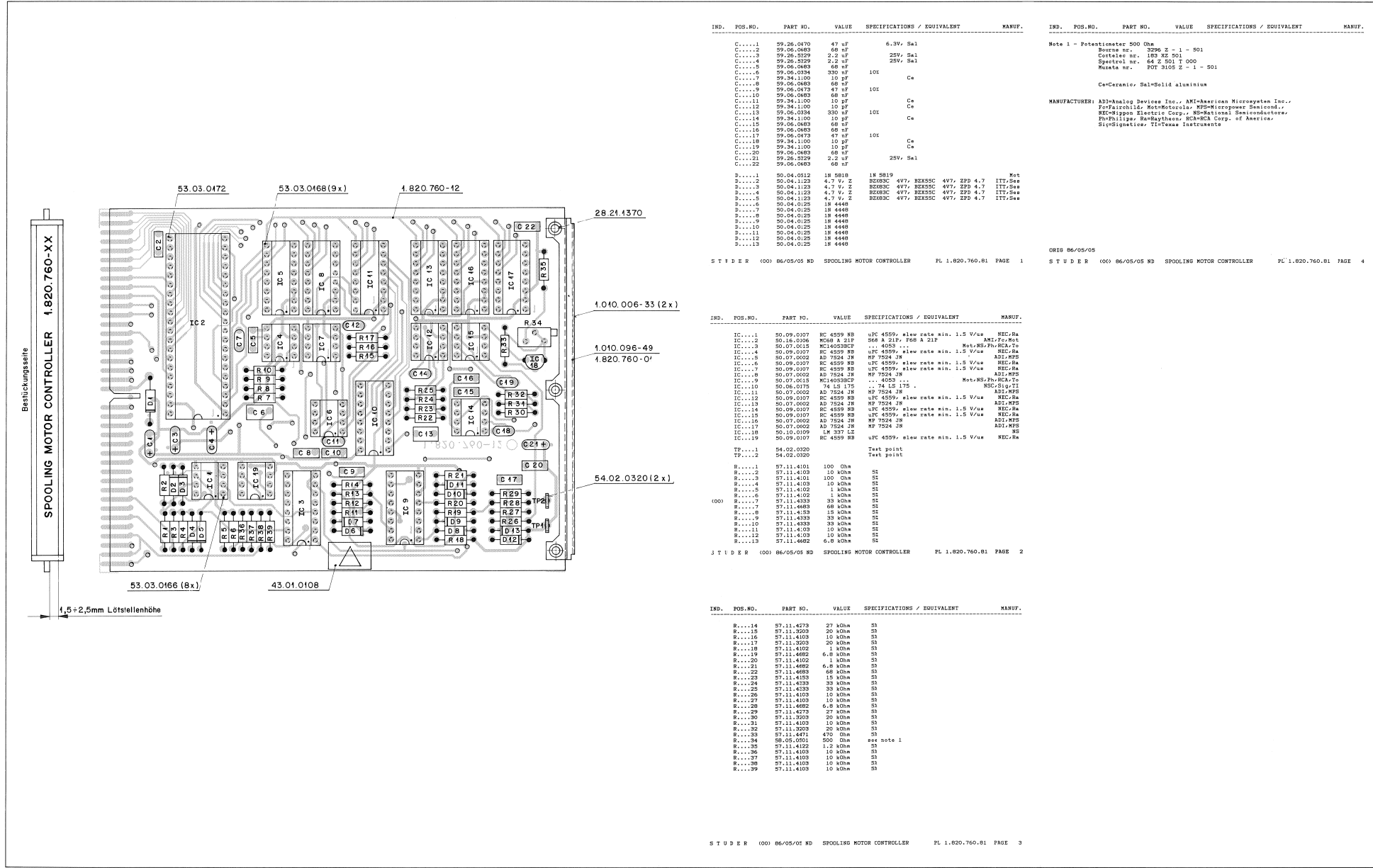
SPOOLING MOTOR CONTROLLER 1.820.760.81



* HAS BEEN MODIFIED

① 22.04.81	ND	○ . . .	○ . . .	○ . . .	○ . . .
A 820					PAGE 1 OF 1
STUDER				Spooling Motor Control	SC 1.820.760.81

SPOOLING MOTOR CONTROLLER 1.820.760.81



IND.	POS.NO.	PART NO.	VALUE	SPECIFICATIONS / EQUIVALENT	MANUF.
C....1		59.26.0470	47 uF	6.3V, Sal	
C....2		59.06.0483	68 nF		
C....3		59.26.5229	2.2 uF	25V, Sal	
C....4		59.26.5229	2.2 uF	25V, Sal	
C....5		59.06.0483	68 nF		
C....6		59.06.0334	330 nF	10%	
C....7		59.34.1100	10 pF	Ce	
C....8		59.06.0483	68 nF		
C....9		59.06.0473	47 nF	10%	
C....10		59.06.0483	68 nF		
C....11		59.34.1100	10 pF	Ce	
C....12		59.34.1100	10 pF	Ce	
C....13		59.06.0334	330 nF	10%	
C....14		59.34.1100	10 pF	Ce	
C....15		59.06.0483	68 nF		
C....16		59.06.0483	68 nF		
C....17		59.06.0473	47 nF	10%	
C....18		59.34.1100	10 pF	Ce	
C....19		59.34.1100	10 pF	Ce	
C....20		59.06.0483	68 nF		
C....21		59.26.5229	2.2 uF	25V, Sal	
C....22		59.06.0483	68 nF		

IND.	POS.NO.	PART NO.	VALUE	SPECIFICATIONS / EQUIVALENT	MANUF.
D....1		50.04.0512	1W 5018	1W 5018	Met
D....2		50.04.1123	4.7 V, Z	BZ68C 4V7, BZX55C 4V7, ZPD 4.7	ITT,See
D....3		50.04.1123	4.7 V, Z	BZ68C 4V7, BZX55C 4V7, ZPD 4.7	ITT,See
D....4		50.04.1123	4.7 V, Z	BZ68C 4V7, BZX55C 4V7, ZPD 4.7	ITT,See
D....5		50.04.1123	4.7 V, Z	BZ68C 4V7, BZX55C 4V7, ZPD 4.7	ITT,See
D....6		50.04.0125	18 4448		
D....7		50.04.0125	18 4448		
D....8		50.04.0125	18 4448		
D....9		50.04.0125	18 4448		
D....10		50.04.0125	18 4448		
D....11		50.04.0125	18 4448		
D....12		50.04.0125	18 4448		
D....13		50.04.0125	18 4448		

STUDER (00) 86/05/05 ND SPOOLING MOTOR CONTROLLER PL 1.820.760.81 PAGE 1

Note 1 - Potentiometer 500 Ohm
 Mouser nr. 3096 Z - 1 - 501
 Certelec nr. 183 XZ D01
 Spectrol nr. 64 2 501 T 000
 Murata nr. POT 3105 Z - 1 - 501

Ce=Ceramic, Sal=Solid aluminium

MANUFACTURER: ADI=Analog Devices Inc., AMI=American Microsystems Inc.,
 FujiFilm; Hitachi; Motorola; MPS=Micropower Semicond.,
 NEC=Nippon Electric Corp., NS=National Semiconductor,
 Philips; Raytheon; RCA=RCA Corp. of America,
 Sig=Signetics, TI=Texas Instruments

ORIG 86/05/05
 STUDER (00) 86/05/05 ND SPOOLING MOTOR CONTROLLER PL 1.820.760.81 PAGE 4

IND.	POS.NO.	PART NO.	VALUE	SPECIFICATIONS / EQUIVALENT	MANUF.
IC....1		50.09.0107	RC 4559 HB	uPC 4559, slew rate min. 1.5 V/us	REC,Ra
IC....2		50.16.0206	MS8 A 21F	MS8 A 21F, P58 B 21F	ADI,Pos,Mot
IC....3		50.07.0015	MC14059BCP	... 4053 ...	REC,Ra
IC....4		50.09.0107	RC 4559 HB	uPC 4559, slew rate min. 1.5 V/us	REC,Ra
IC....5		50.07.0002	AD 7524 JR	MP 7524 JR	ADI,MPS
IC....6		50.09.0107	RC 4559 HB	uPC 4559, slew rate min. 1.5 V/us	REC,Ra
IC....7		50.09.0107	RC 4559 HB	uPC 4559, slew rate min. 1.5 V/us	REC,Ra
IC....8		50.07.0002	AD 7524 JR	MP 7524 JR	ADI,MPS
IC....9		50.07.0015	MC14059BCP	... 4053 ...	REC,Ra
IC....10		50.06.0375	74 LS 175	74 LS 175	REC,Sig,TI
IC....11		50.07.0002	AD 7524 JR	MP 7524 JR	ADI,MPS
IC....12		50.09.0107	RC 4559 HB	uPC 4559, slew rate min. 1.5 V/us	REC,Ra
IC....13		50.07.0002	AD 7524 JR	MP 7524 JR	ADI,MPS
IC....14		50.09.0107	RC 4559 HB	uPC 4559, slew rate min. 1.5 V/us	REC,Ra
IC....15		50.09.0107	RC 4559 HB	uPC 4559, slew rate min. 1.5 V/us	REC,Ra
IC....16		50.07.0002	AD 7524 JR	MP 7524 JR	ADI,MPS
IC....17		50.07.0002	AD 7524 JR	MP 7524 JR	ADI,MPS
IC....18		50.10.0109	LM 337 L2		REC
IC....19		50.09.0107	RC 4559 HB	uPC 4559, slew rate min. 1.5 V/us	REC,Ra

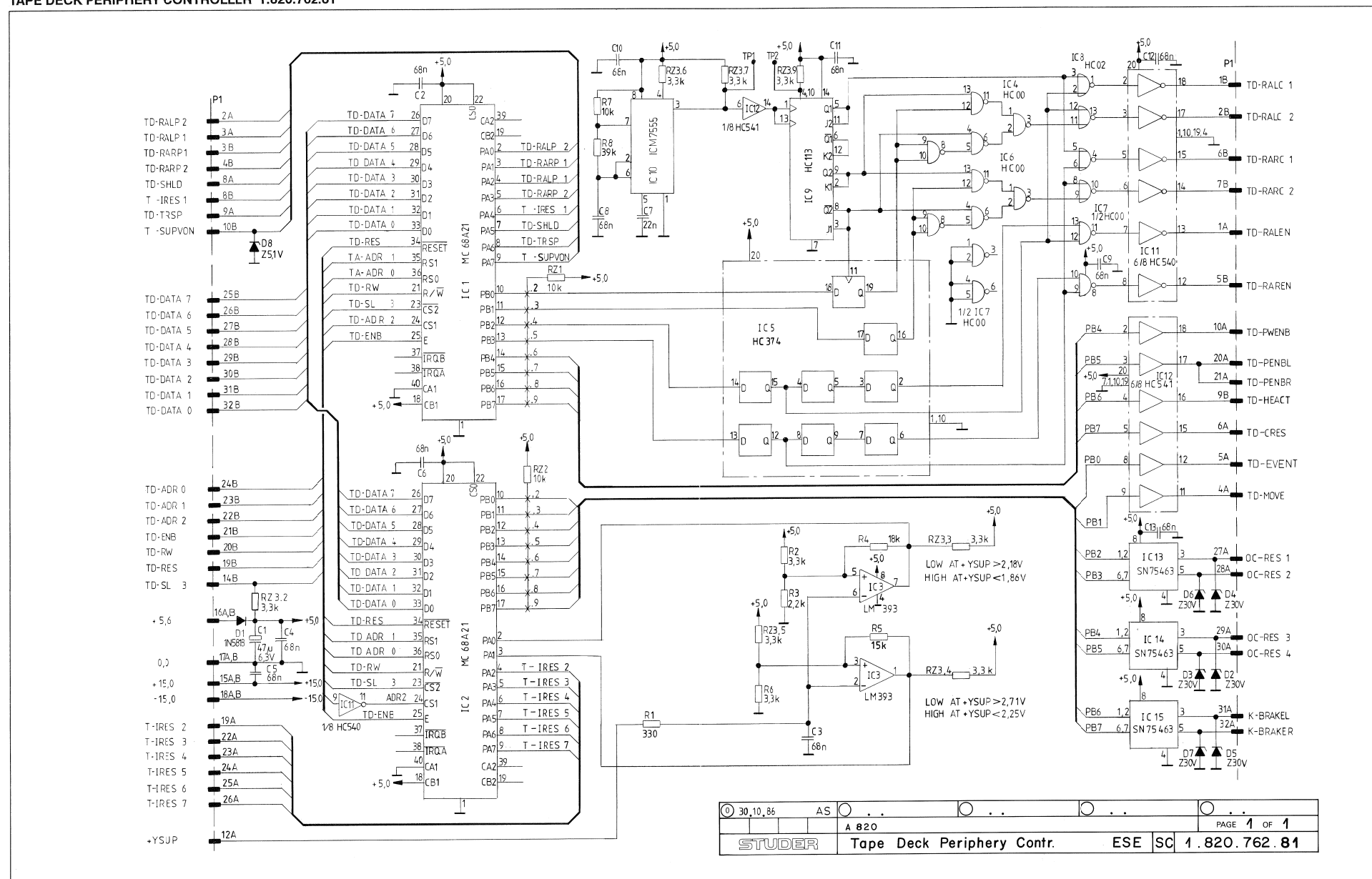
IND.	POS.NO.	PART NO.	VALUE	SPECIFICATIONS / EQUIVALENT	MANUF.
TP....1		54.02.0320		Test point	
TP....2		54.02.0320		Test point	
R....1		57.11.4101	100 Ohm		S1
R....2		57.11.4103	10 kOhm		S1
R....3		57.11.4101	100 Ohm		S1
R....4		57.11.4103	10 kOhm		S1
R....5		57.11.4102	1 kOhm		S1
R....6		57.11.4102	1 kOhm		S1
R....7		57.11.4333	33 kOhm		S1
R....8		57.11.4483	68 kOhm		S1
R....9		57.11.4333	33 kOhm		S1
R....10		57.11.4333	33 kOhm		S1
R....11		57.11.4103	10 kOhm		S1
R....12		57.11.4103	10 kOhm		S1
R....13		57.11.4482	6.8 kOhm		S1

J T U D E R (00) 86/05/05 ND SPOOLING MOTOR CONTROLLER PL 1.820.760.81 PAGE 2

IND.	POS.NO.	PART NO.	VALUE	SPECIFICATIONS / EQUIVALENT	MANUF.
R....14		57.11.4273	27 kOhm		S1
R....15		57.11.3523	20 kOhm		S1
R....16		57.11.4103	10 kOhm		S1
R....17		57.11.3523	20 kOhm		S1
R....18		57.11.4103	10 kOhm		S1
R....19		57.11.4682	6.8 kOhm		S1
R....20		57.11.4103	10 kOhm		S1
R....21		57.11.4682	6.8 kOhm		S1
R....22		57.11.4683	68 kOhm		S1
R....23		57.11.4133	15 kOhm		S1
R....24		57.11.4333	33 kOhm		S1
R....25		57.11.4333	33 kOhm		S1
R....26		57.11.4103	10 kOhm		S1
R....27		57.11.4103	10 kOhm		S1
R....28		57.11.4682	6.8 kOhm		S1
R....29		57.11.4273	27 kOhm		S1
R....30		57.11.3203	20 kOhm		S1
R....31		57.11.4103	10 kOhm		S1
R....32		57.11.3203	20 kOhm		S1
R....33		57.11.4471	470 Ohm		S1
R....34		58.05.0201	500 Ohm	see note 1	
R....35		57.11.4122	1.2 kOhm		S1
R....36		57.11.4103	10 kOhm		S1
R....37		57.11.4103	10 kOhm		S1
R....38		57.11.4103	10 kOhm		S1
R....39		57.11.4103	10 kOhm		S1

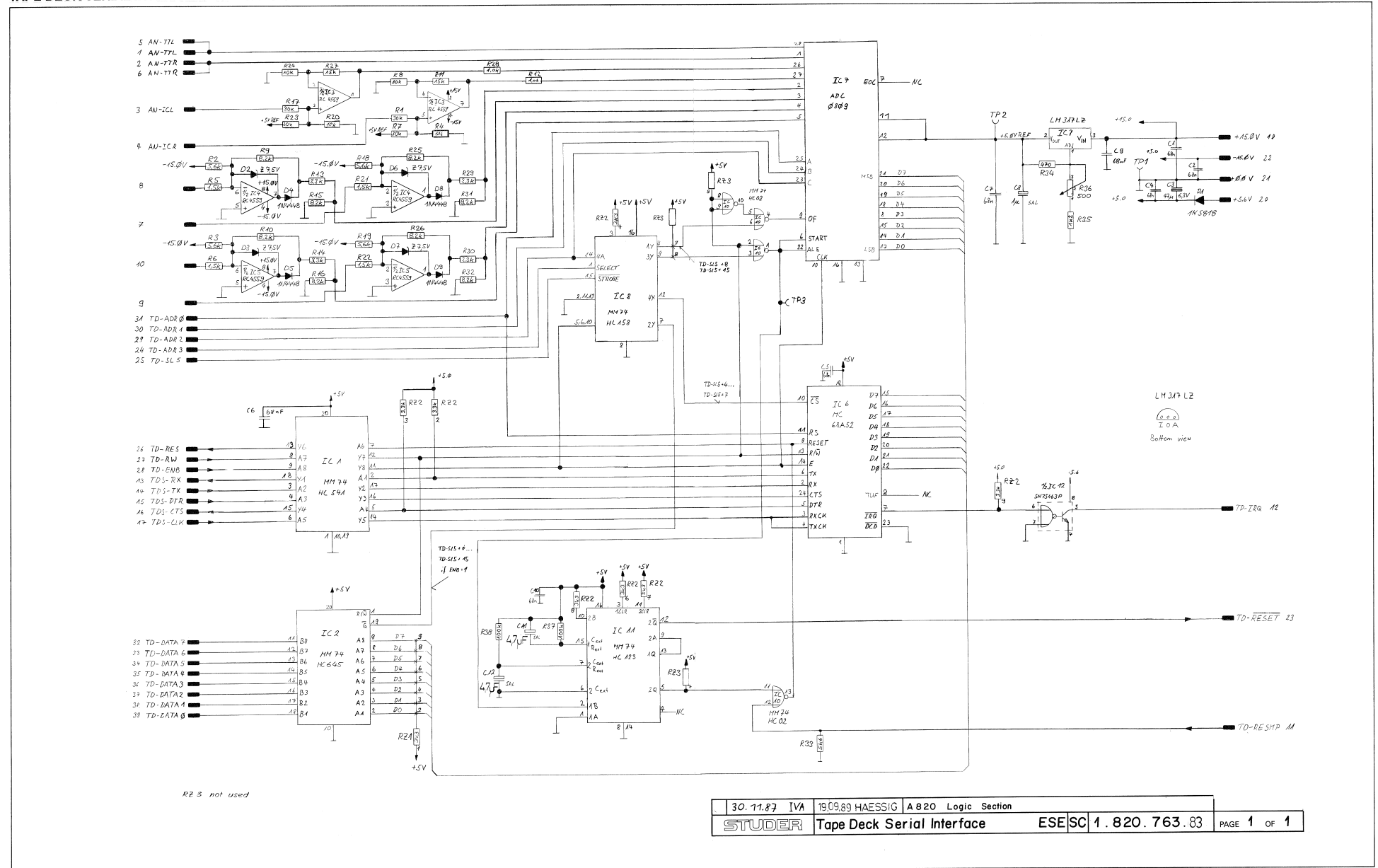
STUDER (00) 86/05/05 ND SPOOLING MOTOR CONTROLLER PL 1.820.760.81 PAGE 3

TAPE DECK PERIPHERY CONTROLLER 1.820.762.81

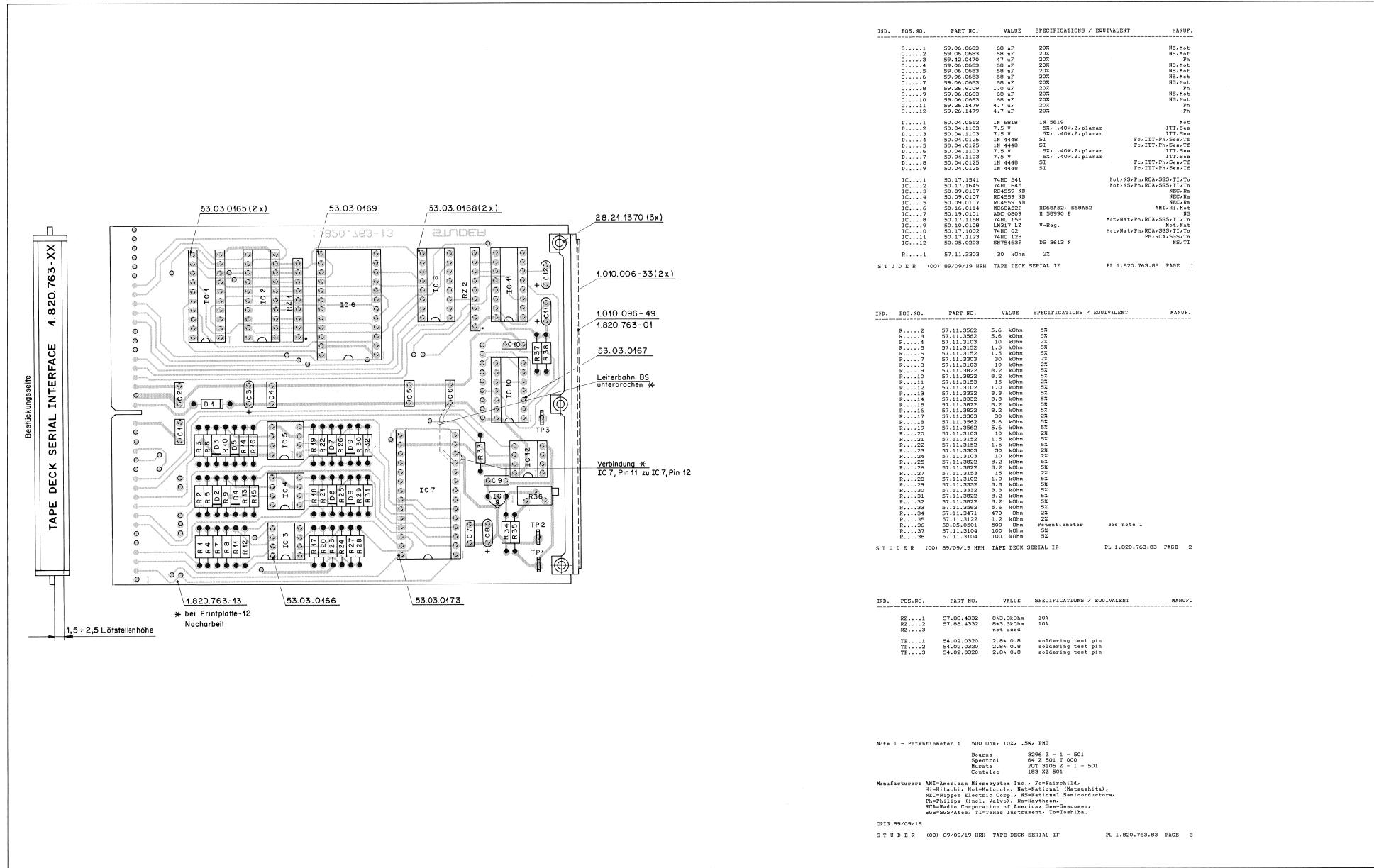


30.10.86	AS								
A 820		Tape Deck Periphery Contr.		ESE SC 1.820.762.81		PAGE 1 of 1			

TAPE DECK SERIAL INTERFACE 1.820.763.83



TAPE DECK SERIAL INTERFACE 1.820.763.83



IND.	POS.NO.	PART NO.	VALUE	SPECIFICATIONS / EQUIVALENT	MANUF.
C....1		59.06.0683	68 nF	20X	NS/Mot
C....2		59.06.0683	68 nF	20X	NS/Mot
C....3		59.06.0683	47 nF	20X	Ph
C....4		59.06.0683	68 nF	20X	NS/Mot
C....5		59.06.0683	68 nF	20X	NS/Mot
C....6		59.06.0683	68 nF	20X	NS/Mot
C....7		59.06.0683	68 nF	20X	NS/Mot
C....8		59.26.9109	1.0 uF	20X	Ph
C....9		59.06.0683	68 nF	20X	NS/Mot
C....10		59.06.0683	68 nF	20X	NS/Mot
C....11		59.26.1479	4.7 uF	20X	Ph
C....12		59.26.1479	4.7 uF	20X	Ph

IND.	POS.NO.	PART NO.	VALUE	SPECIFICATIONS / EQUIVALENT	MANUF.
D....1		50.04.0512	1N 5818	1N 5819	Mot
D....2		50.04.1103	7.5 V	SK, .40M,Z,planar	ITT/See
D....3		50.04.1103	7.5 V	SK, .40M,Z,planar	ITT/See
D....4		50.04.1103	1N 4448	SI	Fe/ITT,Ph/Saw/TF
D....5		50.04.0125	1N 4448	SI	Fe/ITT,Ph/Saw/TF
D....6		50.04.1103	7.5 V	SK, .40M,Z,planar	ITT/See
D....7		50.04.1103	7.5 V	SK, .40M,Z,planar	ITT/See
D....8		50.04.0125	1N 4448	SI	Fe/ITT,Ph/Saw/TF
D....9		50.04.0125	1N 4448	SI	Fe/ITT,Ph/Saw/TF

IND.	POS.NO.	PART NO.	VALUE	SPECIFICATIONS / EQUIVALENT	MANUF.
IC....1		50.17.1541	74HC 541		Pot,NS,Ph,RCA,SSG-TI,To
IC....2		50.17.1845	74HC 645		Pot,NS,Ph,RCA,SSG-TI,To
IC....3		50.09.0107	RC4559 NB		NEC/Ra
IC....4		50.09.0107	RC4559 NB		NEC/Ra
IC....5		50.09.0107	RC4559 NB		NEC/Ra
IC....6		50.16.0114	MC6802P	MC6802P	AMI/Hi/Mot
IC....7		50.19.0101	ADC 0809	K 58990 P	NS
IC....8		50.10.0108	LM317 LZ	V-Reg.	Mit,Mot,Ph,RCA,SSG-TI,To
IC....9		50.10.0108	LM317 LZ	V-Reg.	Mit,Mot
IC....10		50.17.1002	74HC 02		Ph,RCA,SSG-TI,To
IC....11		50.17.1123	74HC 123		Ph,RCA,SSG-TI,To
IC....12		50.05.0209	887565P	DS 3613 M	NS-TI

R..... 57.11.3303 30 Kohm 2K

STUDER (00) 89/09/19 HRH TAPE DECK SERIAL IF PL 1.820.763.83 PAGE 1

IND.	POS.NO.	PART NO.	VALUE	SPECIFICATIONS / EQUIVALENT	MANUF.
R....2		57.11.3562	5.6 Kohm	5K	
R....3		57.11.3562	5.6 Kohm	5K	
R....4		57.11.3103	10 Kohm	2K	
R....5		57.11.3152	1.5 Kohm	5K	
R....6		57.11.3152	1.5 Kohm	5K	
R....7		57.11.3303	30 Kohm	2K	
R....8		57.11.3103	10 Kohm	2K	
R....9		57.11.3522	8.2 Kohm	5K	
R....10		57.11.3522	8.2 Kohm	5K	
R....11		57.11.3153	15 Kohm	2K	
R....12		57.11.3152	1.0 Kohm	5K	
R....13		57.11.3332	3.3 Kohm	5K	
R....14		57.11.3332	3.3 Kohm	5K	
R....15		57.11.3522	8.2 Kohm	5K	
R....16		57.11.3522	8.2 Kohm	5K	
R....17		57.11.3503	50 Kohm	2K	
R....18		57.11.3562	5.6 Kohm	5K	
R....19		57.11.3562	5.6 Kohm	5K	
R....20		57.11.3153	15 Kohm	2K	
R....21		57.11.3152	1.5 Kohm	5K	
R....22		57.11.3152	1.5 Kohm	5K	
R....23		57.11.3303	30 Kohm	2K	
R....24		57.11.3103	10 Kohm	2K	
R....25		57.11.3522	8.2 Kohm	5K	
R....26		57.11.3522	8.2 Kohm	5K	
R....27		57.11.3153	15 Kohm	2K	
R....28		57.11.3152	1.0 Kohm	5K	
R....29		57.11.3332	3.3 Kohm	5K	
R....30		57.11.3332	3.3 Kohm	5K	
R....31		57.11.3522	8.2 Kohm	5K	
R....32		57.11.3522	8.2 Kohm	5K	
R....33		57.11.3562	5.6 Kohm	5K	
R....34		57.11.3411	470 Ohm	2K	
R....35		57.11.3122	1.2 Kohm	2K	
R....36		58.05.0501	500 Ohm	Potentiometer	see note 1
R....37		57.11.3104	100 Kohm	5K	
R....38		57.11.3104	100 Kohm	5K	

STUDER (00) 89/09/19 HRH TAPE DECK SERIAL IF PL 1.820.763.83 PAGE 2

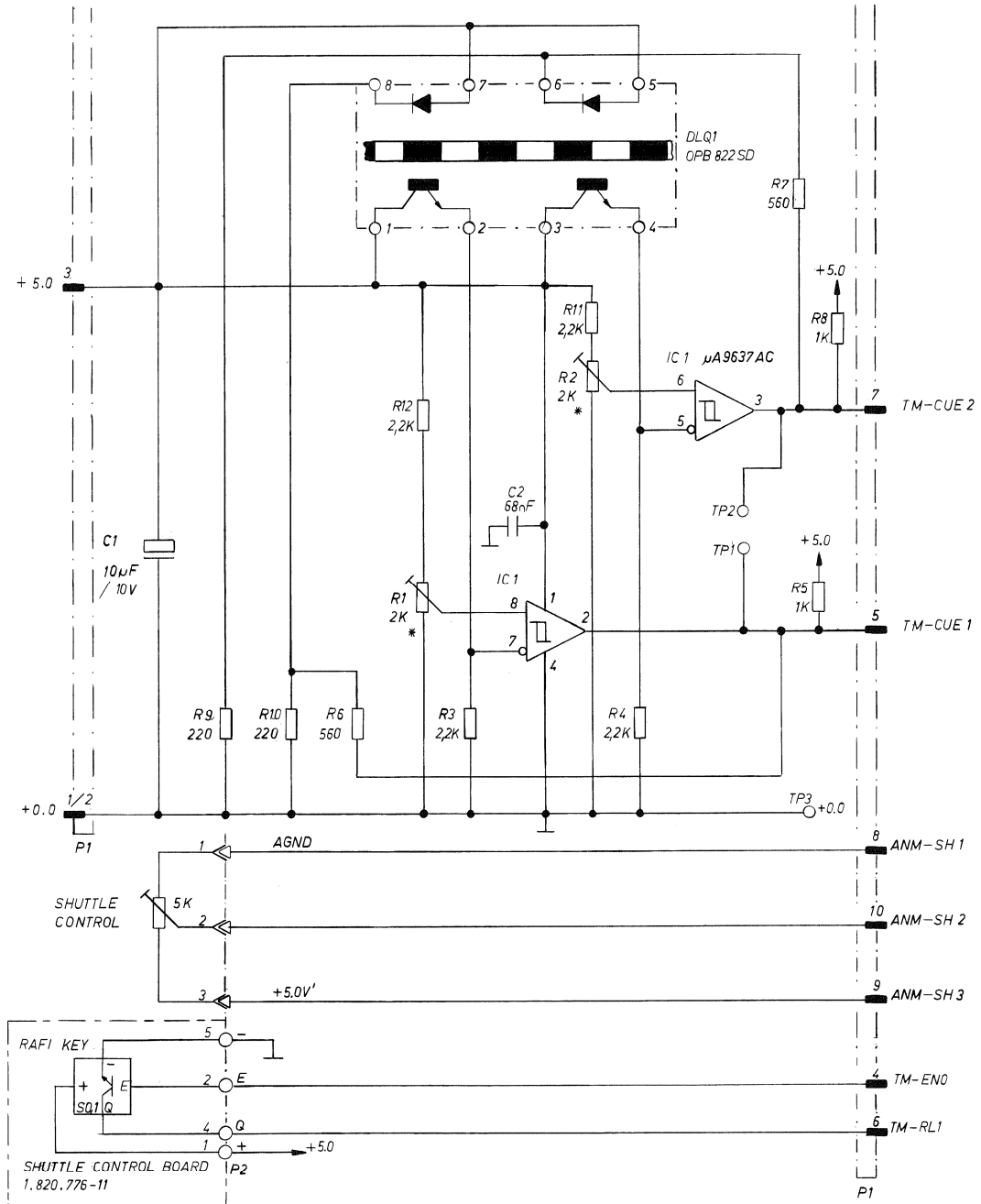
IND.	POS.NO.	PART NO.	VALUE	SPECIFICATIONS / EQUIVALENT	MANUF.
RZ....1		57.96.4332	8x3,3KOhm	10X	
RZ....2		57.96.4332	8x3,3KOhm	10X	
RZ....3			not used		
TP....1		54.02.0320	2.8x 0.8	welding test pin	
TP....2		54.02.0320	2.8x 0.8	welding test pin	
TP....3		54.02.0320	2.8x 0.8	welding test pin	

Note 1 - Potentiometer : 500 Ohm, 10%, .5W, PMG
 Boucra 3296 Z - 1 - 501
 Spectrol 64 V 501 5 000
 Muzata POT 3195 Z - 1 - 501
 Cansino 183 XZ 501

Manufacturers: AMI-American Microsystems Inc., Fairchild,
 Hi-Hitachi, Hitachi, Motorola, National (Matsushita),
 NEC-Nippon Electric Corp., National Semiconductor,
 Ph-Philips (incl. Valvo), Raytheon,
 RCA-Radiola Corporation of America, Sanyo-Sony,
 SSG-SGS/Atmel, TTT-Texas Instrument, To-Toshiba.

ORIG 89/09/19
 STUDER (00) 89/09/19 HRH TAPE DECK SERIAL IF PL 1.820.763.83 PAGE 3

EDIT ASSEMBLY 1.820.250.00
 -CUE SENSOR PCB 1.820.765.00
 -SHUTTLE CONTROL PCB 1.820.776.00

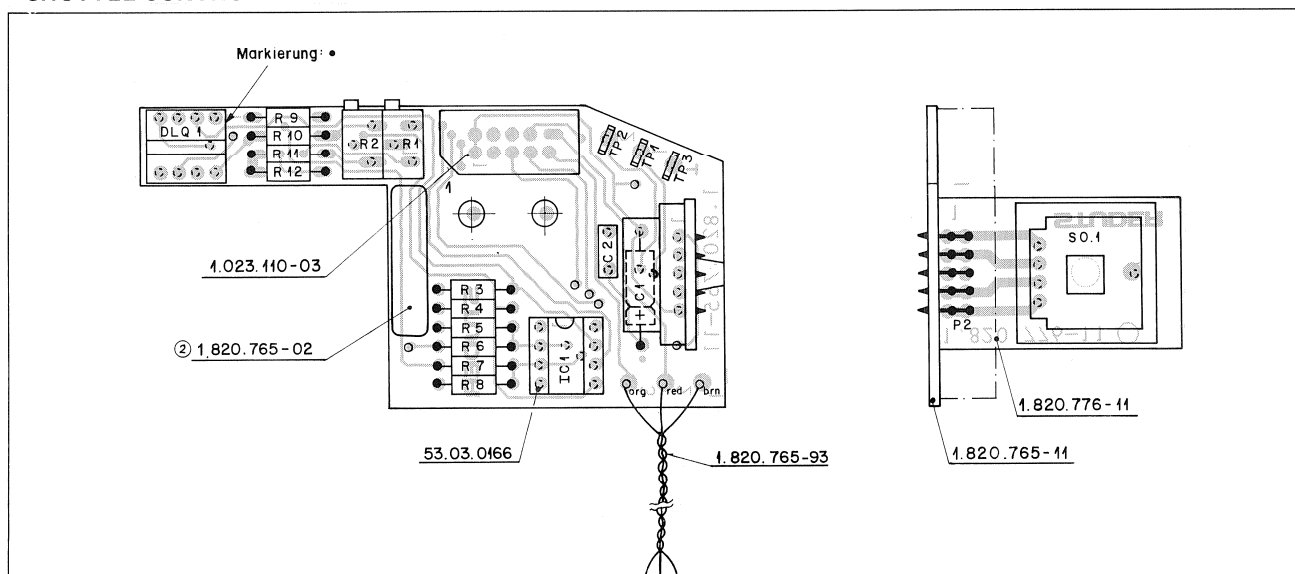


* HAS BEEN MODIFIED

④ 4.12.84 CHE	① 21.01.85 CHE	A 820 Command Section		
STUDER	Cue sensor board	SC	1. 820. 765-00	PAGE 1 OF 1

STUDER D820 MCH

EDIT ASSEMBLY 1.820.250.00
 -CUE SENSOR PCB 1.820.765.00
 -SHUTTLE CONTROL PCB 1.820.776.00



IND.	POS.NO.	PART NO.	VALUE	SPECIFICATIONS / EQUIVALENT	MANUF.	IND.	POS.NO.	PART NO.	VALUE	SPECIFICATIONS / EQUIVALENT	MANUF.
C....1	59.25.4100	10 uF	-20%, 10V, E1			P....1	54.01.0223		CIS MALE CONNECTOR 7 PIN		
C....2	59.06.0683	68 nF	-10%, 63V, PETP			S....1	55.03.0261	1 * OC TTL	RAFI PUSHBUTTON		
DLQ...1	1.820.765.01			Dual Optical Switch, see note 1	St						
IC....1	50.15.0114	uA9637 ATC		uA9637 ACP	Fc, TI						
P....1	1.023.110.03			Flat Cable 10 pole, see note 2							
P....2	54.01.0269	5 cont.		AMP Nr. -163.740-3							
(00) R....1	58.05.0501	500 Ohm		see note 3							
(01) R....1	58.05.0202	2 kOhm		see note 3							
(00) R....2	58.05.0501	500 Ohm		see note 3							
(01) R....2	58.05.0202	2 kOhm		see note 3							
R....3	57.11.3222	2.2 kOhm	1%								
R....4	57.11.3222	2.2 kOhm	1%								
R....5	57.11.3102	1 kOhm	1%								
R....6	57.11.3561	560 Ohm	1%								
R....7	57.11.3561	560 Ohm	1%								
R....8	57.11.3102	1 kOhm	1%								
R....9	57.11.3221	220 Ohm	1%								
R....10	57.11.3221	220 Ohm	1%								
(00) R....11	57.11.3222	2.2 kOhm	1%								
(02) R....11	57.11.3102	1 kOhm	1%								
(00) R....12	57.11.3222	2.2 kOhm	1%								
(02) R....12	57.11.3102	1 kOhm	1%								
S....1	55.03.0261	TTL-switch	1 * OC, Rafi Nr. 3.13001.110								
TP....1	54.02.0320			Test Point							
TP....2	54.02.0320			Test Point							
TP....3	54.02.0320			Test Point							

ORIG 84/01/04

S T U D E R (02) 89/05/25 CHE CUE SENSOR BOARD

PL 1.820.765.00 PAGE 1

S T U D E R (00) 84/01/04 CHE SHUTTLE CONTROL BOARD

PL 1.820.776.00 PAGE 1

IND.	POS.NO.	PART NO.	VALUE	SPECIFICATIONS / EQUIVALENT	MANUF.
------	---------	----------	-------	-----------------------------	--------

(01) 85.01.21 Extension of adjust margin.

(02) 89.05.24 Duty cycle adjust margin extended.

Note 1 - Optical switch, assembled by Studer, consist of OFB 822 SD (Optrom).

Note 2 - Flat cable: Studer Nr. 64.03.0213

FCB Transition Header: Studer Nr. 54.14.5024
 Yamaichi Nr. FGP-10-02
 Burndy Nr. BFD08 10 R00GS

Socket Type: Studer Nr. 54.14.5020
 Yamaichi Nr. FAS-10-17
 Burndy Nr. FRS 10 B9-4P

Note 3 - Potentiometer 2 kOhm, 10%, 0.5W
 Bourns Nr. 3296 Z-1-202
 Spectrol Nr. 64 Z 202 T 000
 Contelec Nr. 183 KZ 202
 Murata Nr. POT 3105 Z-1-202

E1=Electrolytic, PETP=Polyester

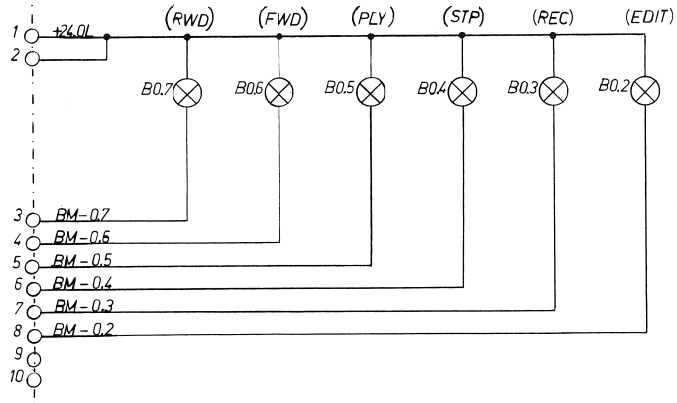
MANUFACTURER: Fc=Fairchild, St=Studer, TI=Texas Instruments

ORIG 84/12/04 (01) 85/01/21 (02) 89/05/25

S T U D E R (02) 89/05/25 CHE CUE SENSOR BOARD

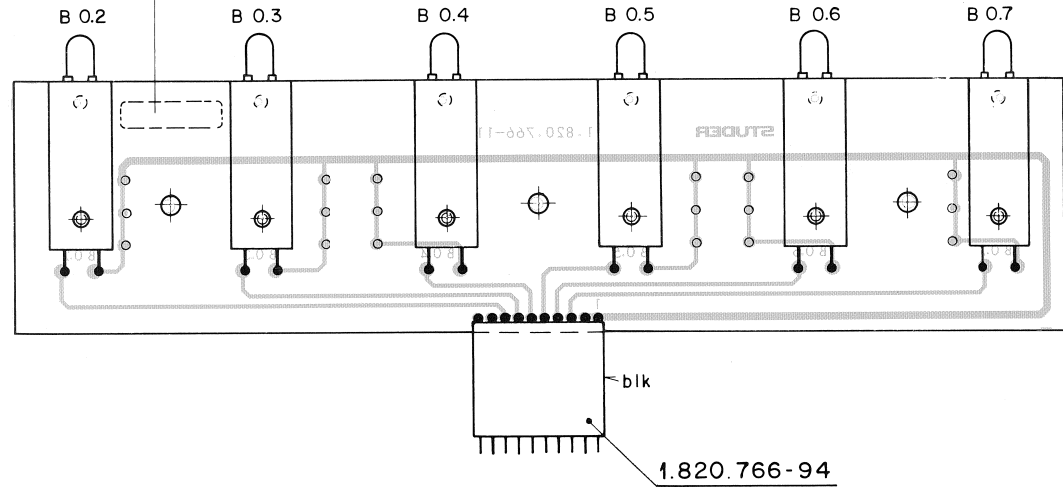
PL 1.820.765.00 PAGE 2

TAPE DECK INDICATOR BOARD 1.820.766.00



B 0.2 - B 0.7: 24V / 0.04A T5.5
XB 0.2 - XB 0.7: LAMP HOLDER

① 1.820.766-01
Auf Rückseite geklebt



23.11.84 R.SUTER	A 820 Command Section	
STUDER	Tape Deck Indicator PCB SC1.820.766.00	PAGE 1 OF 1

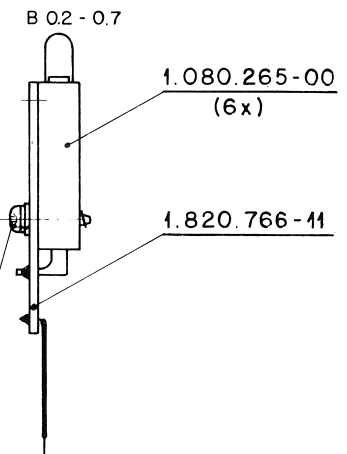
IND.	POS.NO.	PART NO.	VALUE	SPECIFICATIONS / EQUIVALENT	MANUF.
B...	0.2	51.02.0145	24 V	*** note 1	
B...	0.3	51.02.0145	24 V	*** note 1	
B...	0.4	51.02.0145	24 V	*** note 1	
B...	0.5	51.02.0145	24 V	*** note 1	
B...	0.6	51.02.0145	24 V	*** note 1	
B...	0.7	51.02.0145	24 V	*** note 1	
XB...	0.2	1.080.265.00		lamp holder	St
XB...	0.3	1.080.265.00		lamp holder	St
XB...	0.4	1.080.265.00		lamp holder	St
XB...	0.5	1.080.265.00		lamp holder	St
XB...	0.6	1.080.265.00		lamp holder	St
XB...	0.7	1.080.265.00		lamp holder	St

Note 1 - Indicator lamp: Telemelicht nr. 5290 24 V, 40 mA
Ohlito nr. 00 - 52440

MANUFACTURER: St=Studec

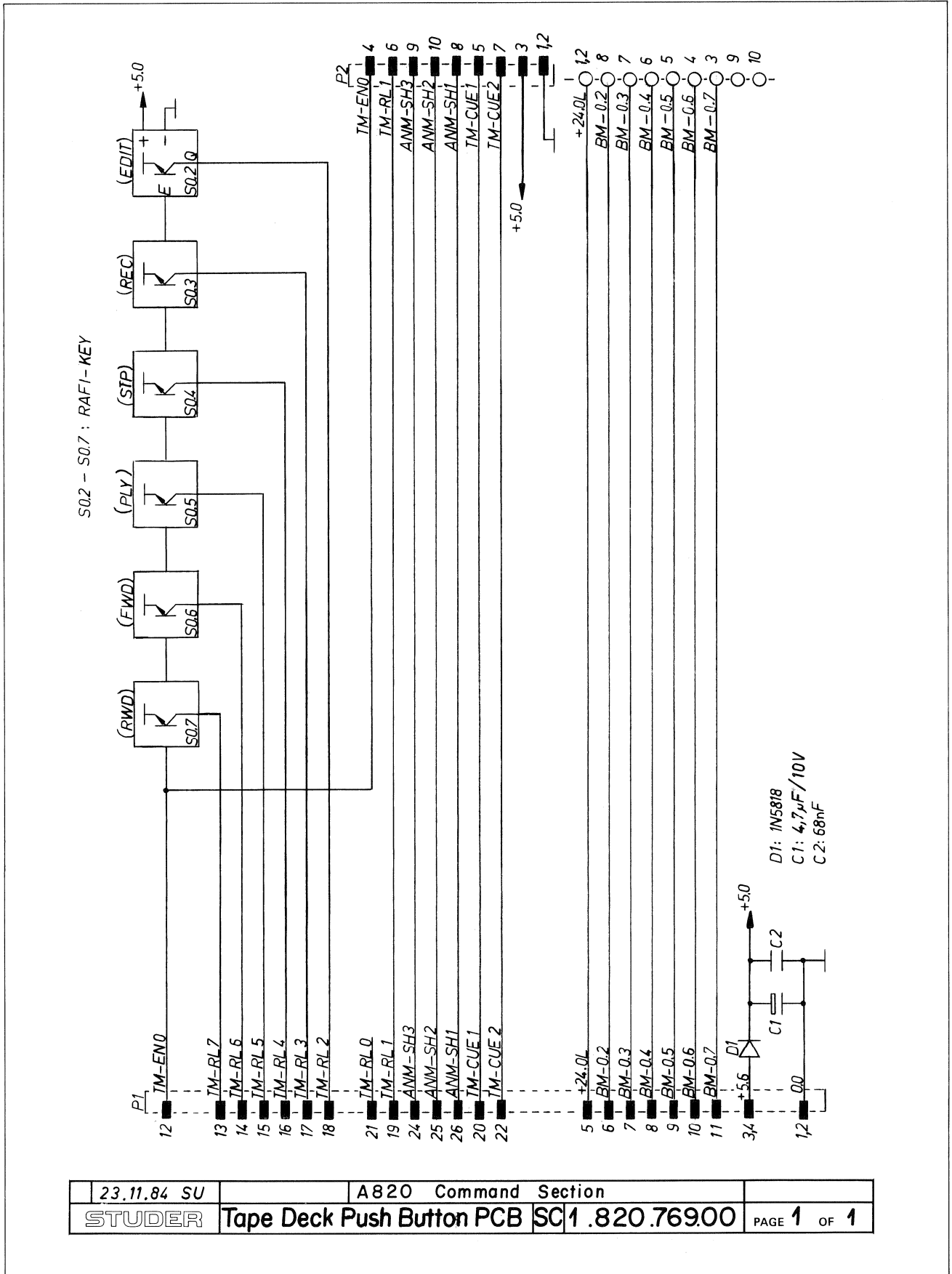
ORIG 04/11/23

STUDER (100) 04/11/23 CHE TAPE DECK INDICATOR BOARD PL 1.820.766.00 PAGE



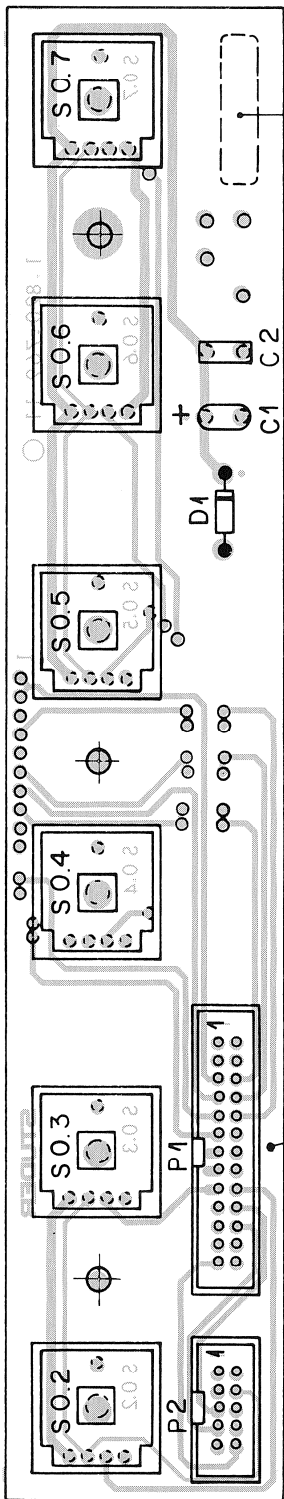
20.22.7156 (6x)
24.16.1030 (6x)
23.01.1032 (6x)

TAPE DECK PUSHBUTTON BOARD 1.820.769.00



23.11.84 SU	A820 Command Section		
STUDER	Tape Deck Push Button PCB	SC1 .820.769.00	PAGE 1 OF 1

TAPE DECK PUSHBUTTON BOARD 1.820.769.00



1.820.769-01 ①
Auf Rückseite geklebt

1.820.769-11

IND.	POS.NO.	PART NO.	VALUE	SPECIFICATIONS / EQUIVALENT	MANUF.
	C.....1	59.26.1479	4,7 uF	-20%, 10V, Sal	Ph
	C.....2	59.06.0683	68 nF	-10%, 63V, PETP	
	D.....1	50.04.0512	1 N 5818	1 N 5819	Met
	P.....1	54.14.2003		see note 1	
	P.....2	54.14.2001		see note 2	
	S...0.2	55.03.0261		Pushbutton switch, RAFI nr. 3.13001.110	
	S...0.3	55.03.0261		Pushbutton switch, RAFI nr. 3.13001.110	
	S...0.4	55.03.0261		Pushbutton switch, RAFI nr. 3.13001.110	
	S...0.5	55.03.0261		Pushbutton switch, RAFI nr. 3.13001.110	
	S...0.6	55.03.0261		Pushbutton switch, RAFI nr. 3.13001.110	
	S...0.7	55.03.0261		Pushbutton switch, RAFI nr. 3.13001.110	

Note 1 - connector 26 contacts: Yamaichi nr. FAP-26-0864
Burndy nr. BPH 9 B 26 B00 GS

Note 2 - connector 10 contacts: Yamaichi nr. FAP-10-08#4
Burndy nr. BPH 7 B 10 B00 GS

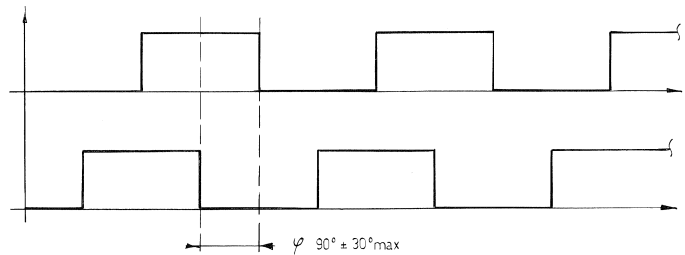
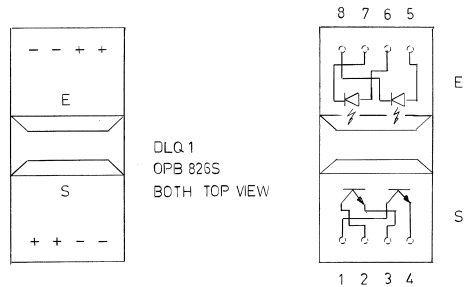
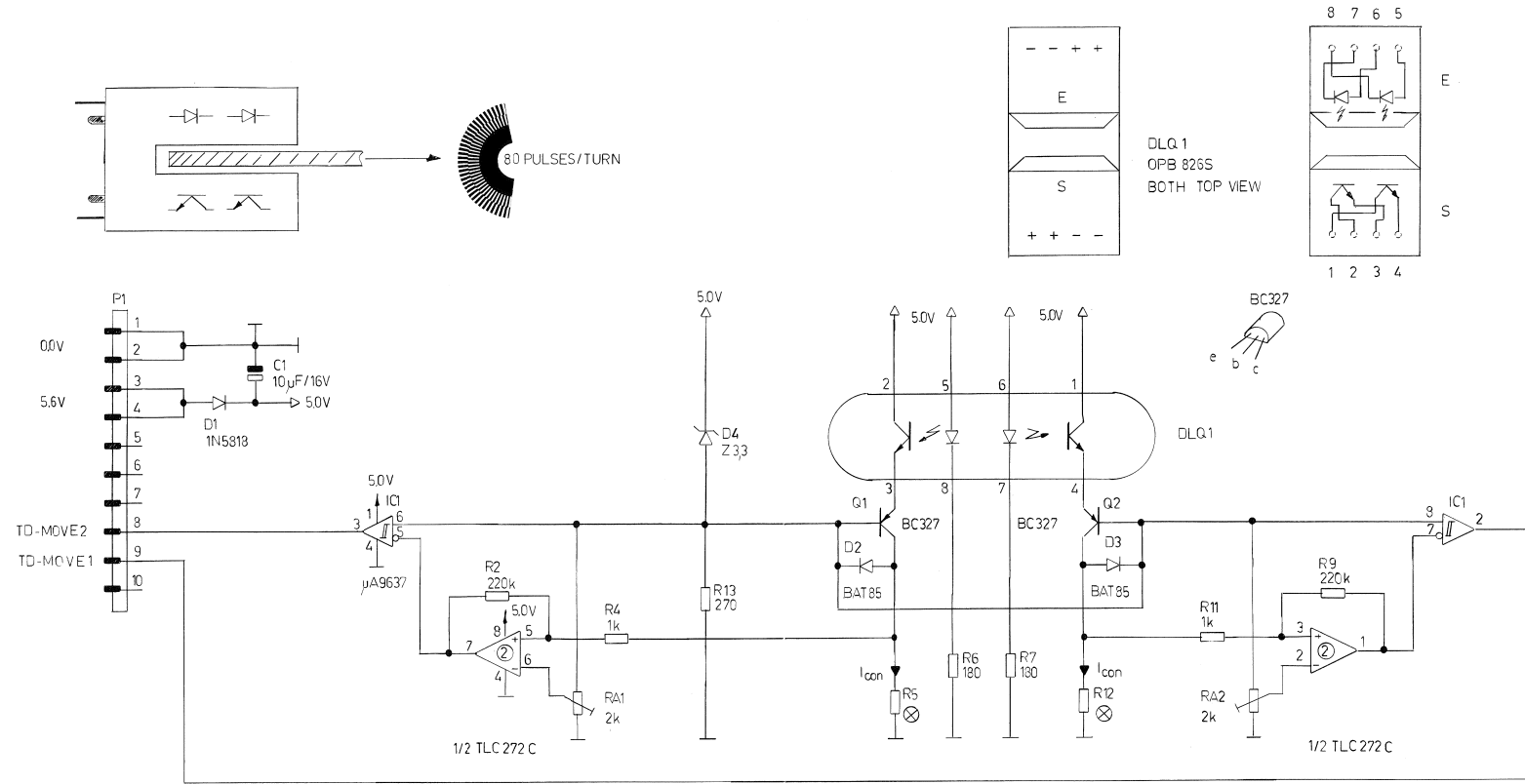
Sal=Solid Aluminium, PETP=Metallized Polyesterfilm

MANUFACTURER: Mot=Motorola, Ph=Philips

ORIG 84/11/23

S T U D E R (00) 84/11/23 CHE TAPE DECK PUSHBUTTON BOARD PL 1.820.769.00 PAGE 1

MOVE SENSOR BOARD 1.820.770.82

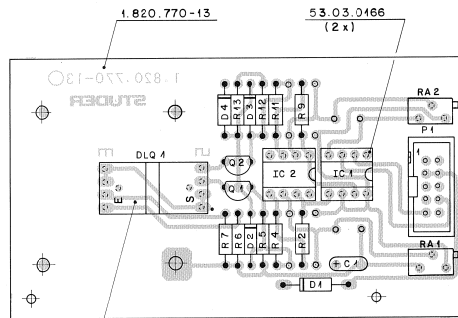


⊗ R5/R12 factory adjusted according to following table
 coupling measured without tacho disk
 I_{con} measurement R2/R4 replaced by digital miliamperemeter

I_{con}	250µA	360µA	520µA	720µA	1,07mA	1,55mA	2,2mA	3,1mA	4,6mA	6,5mA	10mA
R2/R4	7k5	5k1	3k6	2k4	1k6	1k2	820	560	390	270	

① 15.11.89	ZOLLER	○ . . .	○ . . .	○ . . .	○ . . .	PAGE 1 OF 1
STUDER		MOVE SENSOR			SC	1.820.770.82

MOVE SENSOR BOARD 1.820.770.82

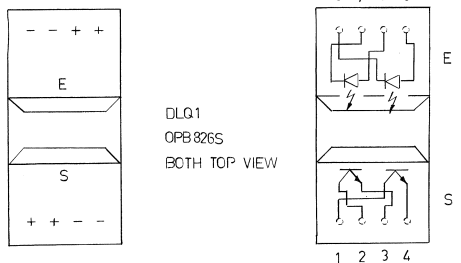
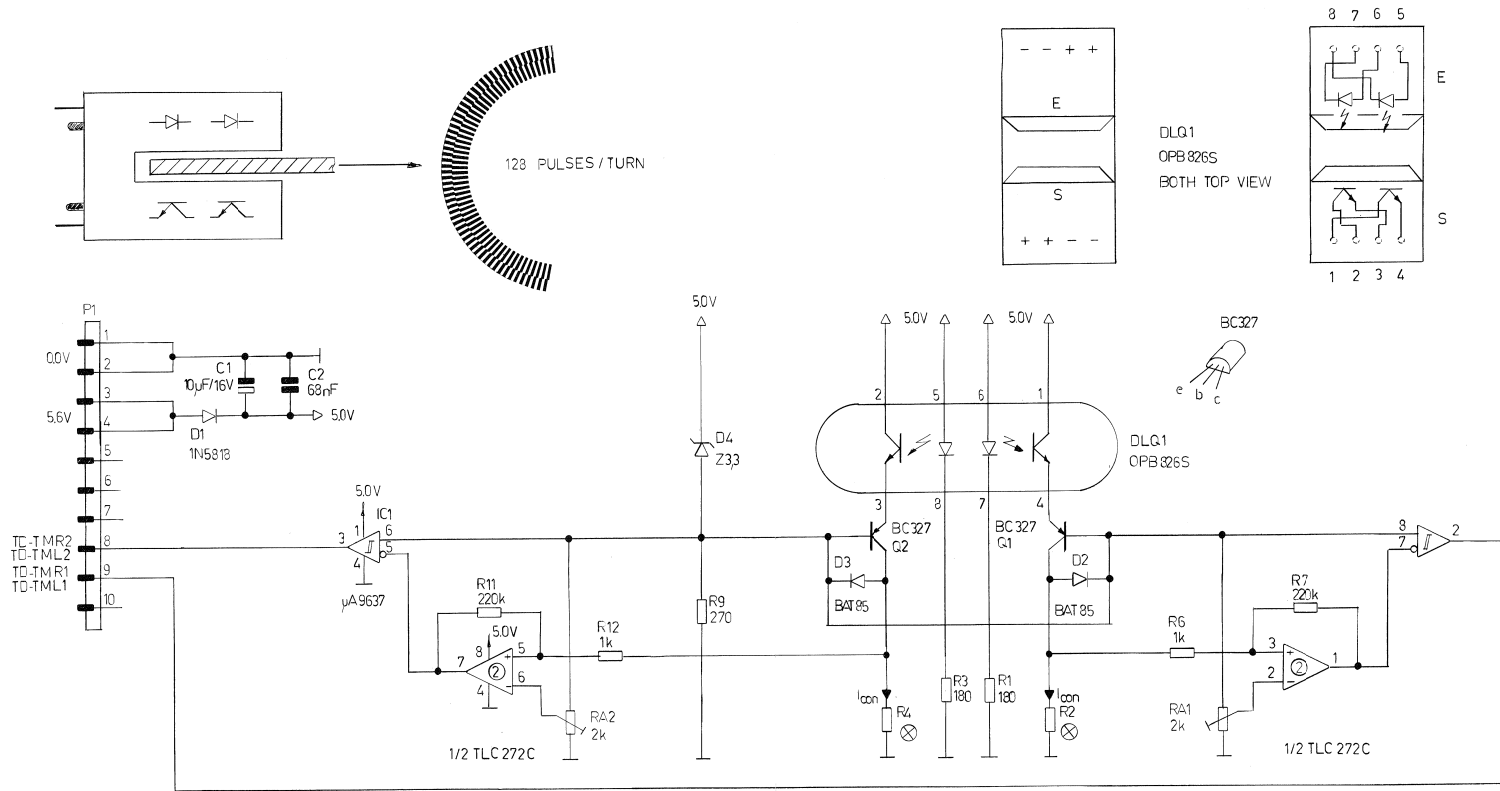


DLQ4 soll auflegend auf Bestückungsseite montiert.

43.01.0108 und Schild 1.820.770-01 aufgeklebt nach Fabrikationsmuster.

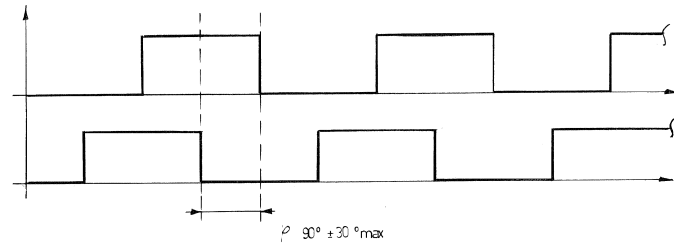
IND.	POS.NO.	PART NO.	VALUE	SPECIFICATIONS / EQUIVALENT	MANUF.	IND.	POS.NO.	PART NO.	VALUE	SPECIFICATIONS / EQUIVALENT	MANUF.
C....1		59.26.2100	10 uF	20%, 16V, Sal		(01) 11.01.90				Printout error	
C....2			not used								
C....3			not used								
D....1		50.04.0512	1N 5810	1N 5910	Ph, Sie, The						
D....2		50.04.0127	BAT 42	BAT 85, 3AS 40-02.	Ph, Sie, The						
D....3		50.04.0127	BAT 42	BAT 85, 3AS 40-02.	Ph, Sie, The						
D....4		50.04.1107	3x3W Z	30W SS-CM13	ITT/Mot/Ph, Te, The						
DLQ...1		50.99.0166	DP8 826		Op						
IC....1		50.15.0114	1A9637ACP	9637 ATC	Fc, Ti						
(00) IC....2		50.05.0285	LM 358 N	LM 358 P	RS, Not, 305-T1						
(01) IC....2		50.09.0122	TLS 272 C	TS 272 C4	305-T1						
R....1		54.14.2001	10 const.	see note 1							
Q....1		50.03.0351	HC 927-25		ITT/Ph, Sie						
Q....2		50.03.0351	HC 327-25		ITT/Ph, Sie						
R....1			not used								
R....2		57.11.3224	220 Ohm	1%							
R....3			not used								
R....4		57.11.3102	1 kOhm	1%							
R....5			factory	adjusted							
R....6		57.11.3181	180 Ohm	1%							
R....7		57.11.3181	180 Ohm	1%							
R....8			not used								
R....9		57.11.3224	220 Ohm	1%							
R....10			not used								
R....11		57.11.3102	1 kOhm	1%							
R....12			factory	adjusted							
R....13		57.11.3271	270 Ohm	1%							
RA....1		58.05.0202	2 kOhm	10% multi turn							
RA....2		58.05.0202	2 kOhm	10% multi turn							

MOTOR TACHO BOARD 1.820.771.83



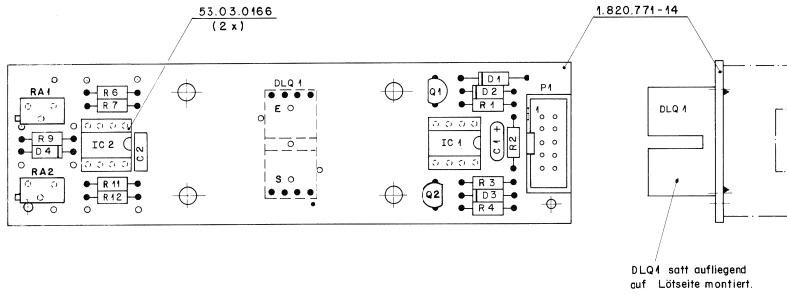
⊗ R2 / R4 factory adjusted according to following table
 coupling measured without tacho disk
 I_{con} measurement R2/R4 replaced by digital miliamperemeter

I _{con}	250µA	360µA	520µA	720µA	107mA	155mA	2.2mA	3.1mA	4.6mA	65mA	10mA
R2/R4	7k5	5k1	3k6	2k4	1k6	1k2	820	560	390	270	



15,11,89 ZOLLER	A 820	PAGE 1 OF 1
STUDER	MOTOR TACHO	SC 1.820.771.83

MOTOR TACHO BOARD 1.820.771.83



DLQ 1 soll aufliegend auf Lötseite montiert.

IND.	POS.NO.	PART NO.	VALUE	SPECIFICATIONS / EQUIVALENT	MANUF.	IND.	POS.NO.	PART NO.	VALUE	SPECIFICATIONS / EQUIVALENT	MANUF.
C...	1	59.26.2100	10 nF	20%, 16V, Sal							
C...	2	59.06.0689	80 nF	10%, 63V, PETP							
C...	3		not used								
C...	4		not used								
D...	1	50.04.0512	1K 5010	1K 5010	Not						
D...	2	50.04.0127	82K 42	82K 85V 3AS 40-02,	Ph,Ste,Tho						
D...	3	50.04.0127	82K 42	82K 85V 3AS 40-02,	Ph,Ste,Tho						
D...	4	50.04.1107	3kV Z	82X 55-3W3	ITT/Mot,Ph,ITe,Tho						
DLQ...	1	50.99.0166	D28 826		Dp						
IC...	1	50.15.0114	49637ACP	9637 ATC	Fo,IT						
IC...	2	50.05.0286	LM 388 F	LM 388 F	NS/Mot,SSS-TI						
IC...	2	50.99.0122	TLC 272 C	TE 272 C8							
F...	1	54.14.2001	10 cent.	*** note 1							
G...	1	50.03.0351	BC 327-25		ITT,Ph,Ste						
G...	2	50.03.0351	BC 327-25		ITT,Ph,Ste						
R...	1	57.11.3101	180 Ohm	1%							
R...	2	57.11.3101	180 Ohm	factory adjusted							
R...	3	57.11.3101	180 Ohm	1%							
R...	4	57.11.3101	180 Ohm	factory adjusted							
R...	5		not used	1%							
R...	6	57.11.3102	1 kOhm	1%							
R...	7	57.11.3224	220 kOhm	1%							
R...	8		not used								
R...	9	57.11.3271	270 Ohm	1%							
R...	10		not used								
R...	11	57.11.3224	220 kOhm	1%							
R...	12	57.11.3102	1 kOhm	1%							
R...	13		not used								
RA...	1	58.05.0202	2 kOhm	10%, multi turn							
RA...	2	58.05.0202	2 kOhm	10%, multi turn							

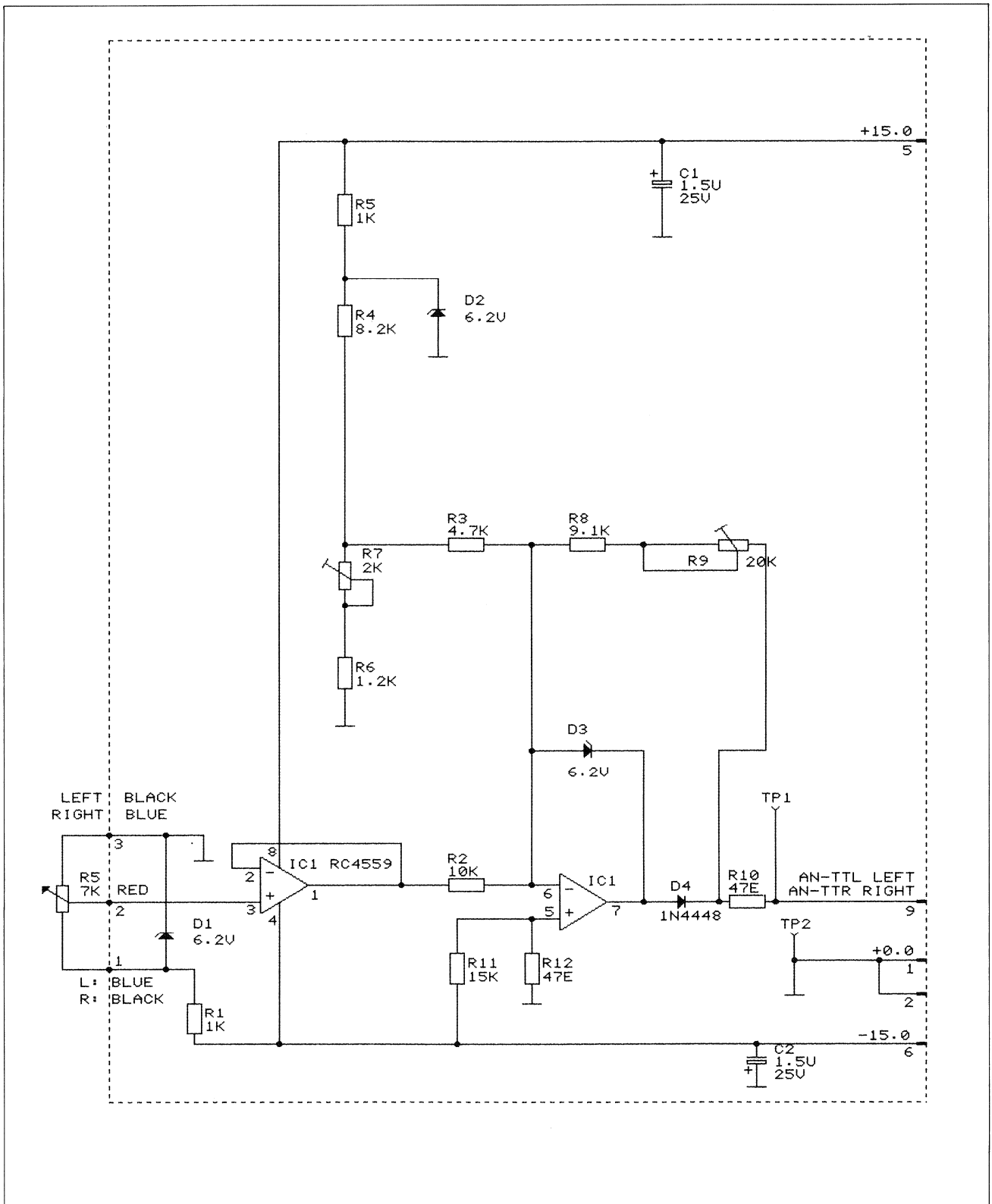
(01) 11.01.90 Printout error

Note 1 - Connector 10 contacts:
 Yashichi nr. FAP-10-08-40SS
 Bureudy nr. BPA 9 810 800 SS
 SM nr. 7610-6002 VZ

E1=Electrolytic, Sal-Solid aluminium

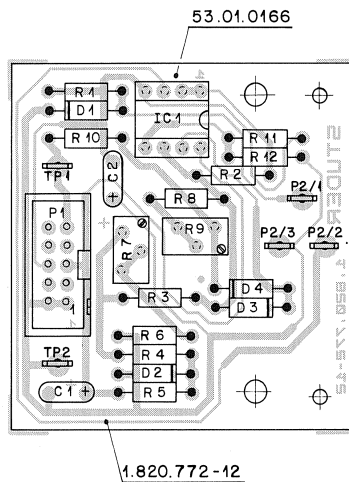
MANUFACTURER: Fo=Fairchild, ITT=Intertechnal, Mot=Motorola, NS=National Semiconductor, Dg=Optcon, Ph=Philips, SES=SES/Attec, Ste=Siemens, Te=Teleteknik, Tho=Thomson, TI=Texas Instrument.

TAPE TENSION SENSOR BOARD 1.820.772.81



© 17.10.1988 IVA				
A820 TAPE TRANSPORT SECTION			PAGE 1 OF 1	
STUDER	TAPE TENSION SENSOR PCB		SC	1.820.772.81

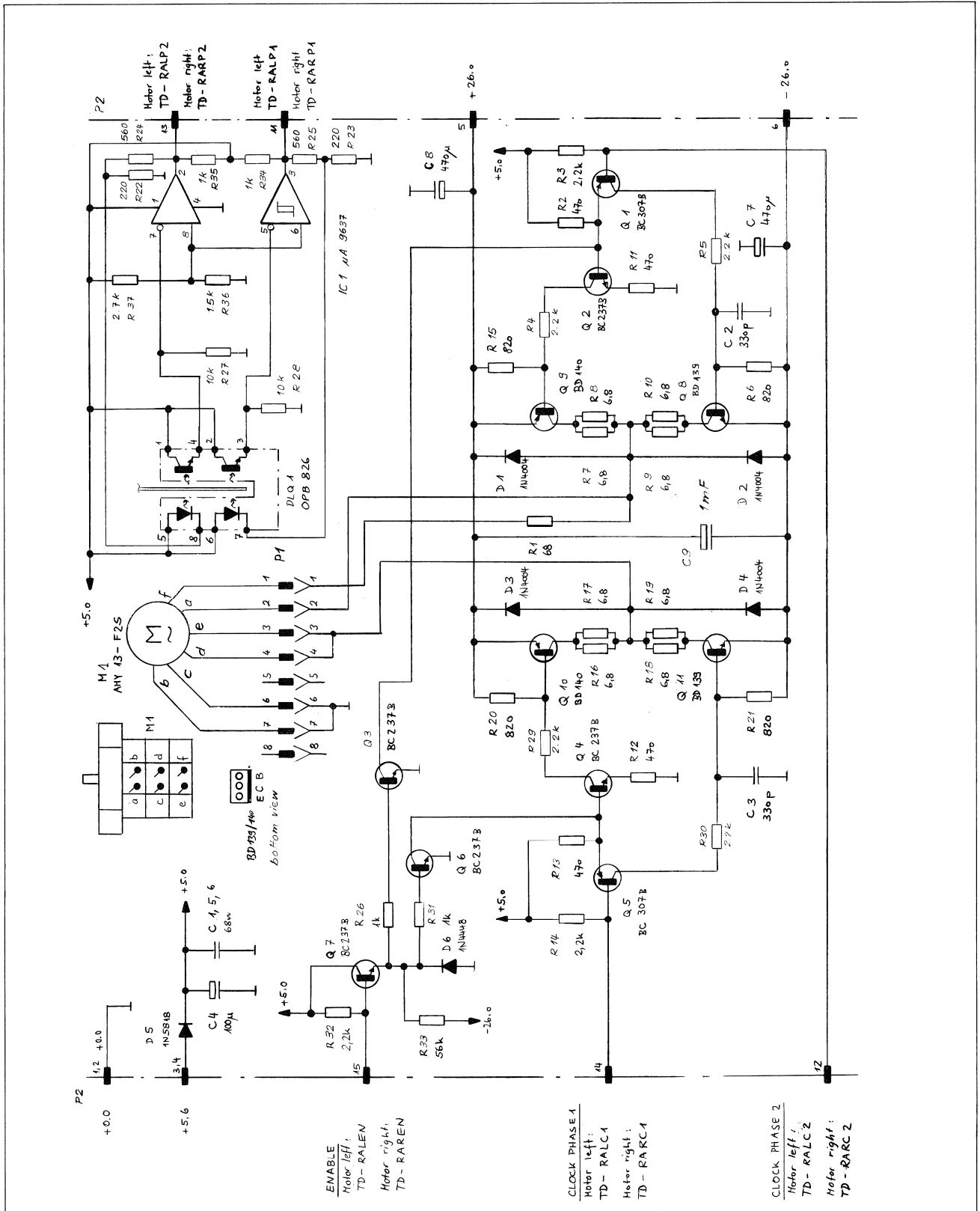
TAPE TENSION SENSOR BOARD 1.820.772.81



IND.	POS.NO.	PART NO.	VALUE	SPECIFICATIONS / EQUIVALENT	MANUF.	IND.	POS.NO.	PART NO.	VALUE	SPECIFICATIONS / EQUIVALENT	MANUF.
C....1		59.26.5159	1.5 uF	25V, Sal	Ph	Note 1 - Connector					
C....2		59.26.5159	1.5 uF	25V, Sal	Ph	Burndy			BPH 7 B 10 B00 GS		
D....1		50.04.1118	6.2 V Z	BZX 55 C6V2	ITT,Mot,Ph,Tf,SGS,Tho	Yamaichi			FAP-10-08//4		
D....2		50.04.1102	6.8 V Z	BZX 55 C6V8	ITT,Mot,Ph,Tf,SGS,Tho	Note 2 - 2 kOhm Potentiometer, linear					
D....3		50.04.1118	6.2 V Z	BZX 55 C6V2	ITT,Mot,Ph,Tf,SGS,Tho	Allan Bradley			E 2B 202		
D....4		50.04.0125	1 N 4448		Fe,ITT,Ph,SES,Tf	Bourne			386 F-1-202		
IC....1		50.09.0107	RC 4559 NB	uPC 4559	NEC,Ra	Spectrol			63 M 202 T010		
F....1		54.14.2001	10 cont.	see note 1		Note 3 - 20 kOhm Potentiometer, linear					
F...2/1		54.02.0320				Allan Bradley			E 2B 203		
F...2/2		54.02.0320				Bourne			386 F-1-203		
F...2/3		54.02.0320				Spectrol			63 M 203 T010		
R....1		57.11.4102	1 kOhm			Sal = Solid Aluminium.					
R....2		57.11.4103	10 kOhm								
R....3		57.11.4472	4.7 kOhm			MANUFACTURER: Fo=Fairchild, IT=Intermetall, Mot=Motorola, NEC= Nippon					
R....4		57.11.4822	8.2 kOhm			Electric Corp., Ph=Philips, Ra=Raytheon, SGS=SGS/Atee,					
R....5		57.11.4102	1 kOhm			Sea=Secocon, Tho=Thomson, Tf=Telefunken.					
R....6		57.11.4122	1.2 kOhm								
R....7		58.05.1202	2 kOhm	see note 2							
R....8		57.11.3912	9.1 kOhm								
R....9		58.05.1203	20 kOhm	see note 3							
R....10		57.11.4470	47 Ohm								
R....11		57.11.3153	15 kOhm								
R....12		57.11.3470	47 Ohm								
TP....1		54.02.0320	Testpoint								
TP....2		54.02.0320	Testpoint								

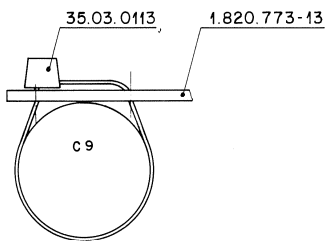
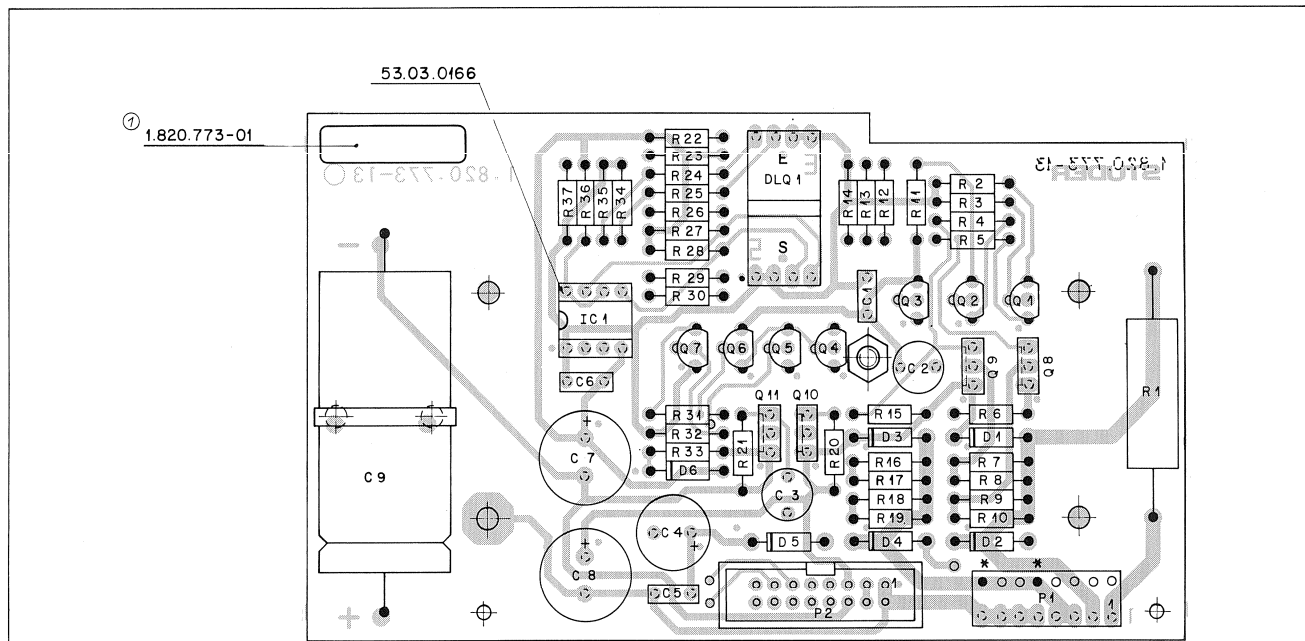
ORIG 86/11/29

TAPE LIFTER CONTROL BOARD 1.820.773.82



0	R. 7. 85	A 820 Tape Transport Section	
STUDER		Tape Lifter Control	SC 1.820.773-82 PAGE 1 OF 1

TAPE LIFTER CONTROL BOARD 1.820.773.82



IND.	POS.NO.	PART NO.	VALUE	SPECIFICATIONS / EQUIVALENT	MANUF.
R....2		57.11.4471	470 Ohm	2X	
R....3		57.11.4222	2.2 kOhm	2X	
R....4		57.11.4222	2.2 kOhm	2X	
R....5		57.11.4222	2.2 kOhm	2X	
R....6		57.11.4821	820 Ohm	2X	
R....7		57.11.4689	6.8 Ohm	5X	
R....8		57.11.4689	6.8 Ohm	5X	
R....9		57.11.4689	6.8 Ohm	5X	
R....10		57.11.4689	6.8 Ohm	5X	
R....11		57.11.4471	470 Ohm	2X	
R....12		57.11.4471	470 Ohm	2X	
R....13		57.11.4471	470 Ohm	2X	
R....14		57.11.4222	2.2 kOhm	2X	
R....15		57.11.4821	820 Ohm	2X	
R....16		57.11.4689	6.8 Ohm	5X	
R....17		57.11.4689	6.8 Ohm	5X	
R....18		57.11.4689	6.8 Ohm	5X	
R....19		57.11.4689	6.8 Ohm	5X	
R....20		57.11.4821	820 Ohm	2X	
R....21		57.11.4821	820 Ohm	2X	
R....22		57.11.4221	220 Ohm	2X	
R....23		57.11.4221	220 Ohm	2X	
R....24		57.11.4561	560 Ohm	2X	
R....25		57.11.4561	560 Ohm	2X	
R....26		57.11.4102	1 kOhm	2X	
R....27		57.11.4103	10 kOhm	2X	
R....28		57.11.4103	10 kOhm	2X	
R....29		57.11.4222	2.2 kOhm	2X	
R....30		57.11.4222	2.2 kOhm	2X	
R....31		57.11.4102	1 kOhm	2X	
R....32		57.11.4222	2.2 kOhm	2X	
R....33		57.11.4563	56 kOhm	2X	
R....34		57.11.4102	1 kOhm	2X	
R....35		57.11.4102	1 kOhm	2X	
R....36		57.11.4152	1.5 kOhm	2X	
R....37		57.11.4272	2.7 kOhm	2X	

S T U D E R (00) 85/07/08 CK TAPE LIFTER CONTROL PL 1.820.773.82 PAGE 2

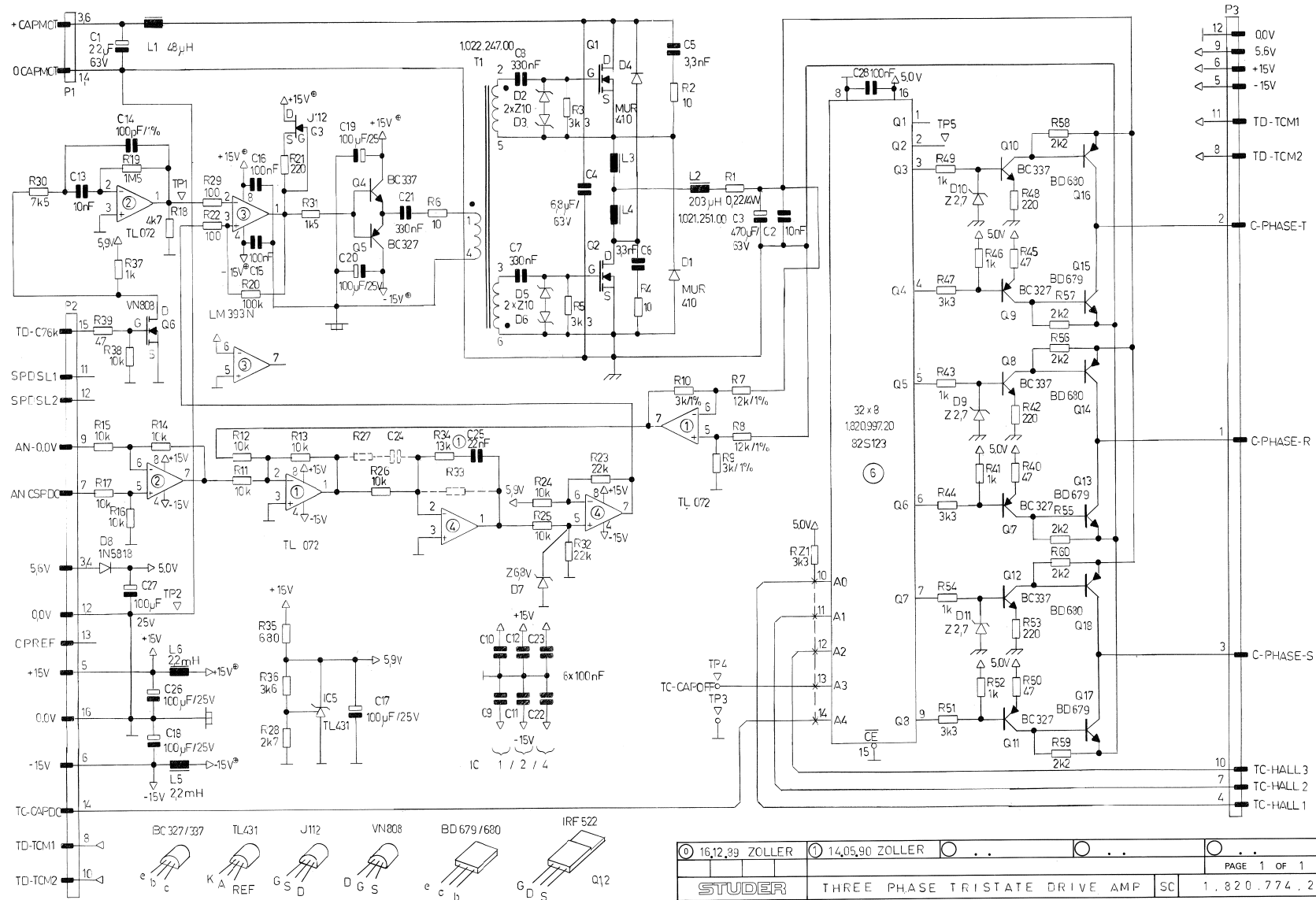
IND.	POS.NO.	PART NO.	VALUE	SPECIFICATIONS / EQUIVALENT	MANUF.
C....1		59.06.0683	68 nF	10%, 63V, PETP	
C....2		59.05.2331	330 pF	2.5%, 63V, PP	
C....3		59.05.2331	330 pF	2.5%, 63V, PP	
C....4		59.22.4101	100 uF	10%, 16V, EI	
C....5		59.06.0683	68 nF	10%, 63V, PETP	
C....6		59.06.0683	68 nF	10%, 63V, PETP	
C....7		59.22.6471	470 uF	10%, 40V, EI	
C....8		59.22.6471	470 uF	10%, 40V, EI	
C....9		59.25.6102	1000 uF	63V, EI	
D....1		50.04.0122	1N 4001	... 1N 4004	Mot
D....2		50.04.0122	1N 4001	... 1N 4004	Mot
D....3		50.04.0122	1N 4001	... 1N 4004	Mot
D....4		50.04.0122	1N 4001	... 1N 4004	Mot
D....5		50.04.0512	1N 5818	1N 5819	Mot
D....6		50.04.0125	1N 4948		Fc,ITT,Ph,See,TF
DLQ...1		50.99.0166	OPB 8265		Op
IC....1		50.15.0114	uA 9637A		TI,Fc
F....1		54.01.0289		see note 1	
F....2		54.14.2002		see note 2	
Q....1		50.03.0515	BC 307 B	BC 251 B, BC 557 B	ITT,Mot,Ph
Q....2		50.03.0436	BC 237 B	BC 547 B, BC 550 B	ITT,Mot,Ph,Sie
Q....3		50.03.0436	BC 237 B	BC 547 B, BC 550 B	ITT,Mot,Ph,Sie
Q....4		50.03.0436	BC 237 B	BC 547 B, BC 550 B	ITT,Mot,Ph,Sie
Q....5		50.03.0515	BC 307 B	BC 251 B, BC 557 B	ITT,Mot,Ph
Q....6		50.03.0436	BC 237 B	BC 547 B, BC 550 B	ITT,Mot,Ph,Sie
Q....7		50.03.0436	BC 237 B	BC 547 B, BC 550 B	ITT,Mot,Ph,Sie
Q....8		50.03.0451	BD 139-10		Mot,Ph,SGS,TF,To
Q....9		50.03.0452	BD 140-10		Mot,Ph,SGS,TF,To
Q....10		50.03.0452	BD 140-10		Mot,Ph,SGS,TF,To
Q....11		50.03.0451	BD 139-10		Mot,Ph,SGS,TF,To
R....1		57.56.5680	68 Ohm	10%, 4 W	

Note 1 - Connector: AMP Nr. --163.680-6
 Note 2 - Connector: Yamaichi Nr. FAP-16-08/4
 Burydy Nr. BPH 9 B 16 800 GS
 El=Electrolytic, PP=Polypolypropylene
 Manufacturer: Fc=Fairchild, ITT=Intermetall, Mot=Motorola, Op=Optron,
 Ph=Philips, See=Seacosen, SGS=SGS/Ates, Sie=Siemens,
 Tf=Telefunken, Ti=Texas Instruments, To=Toshiba.

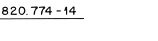
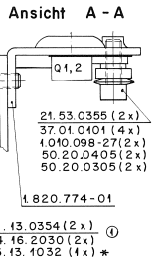
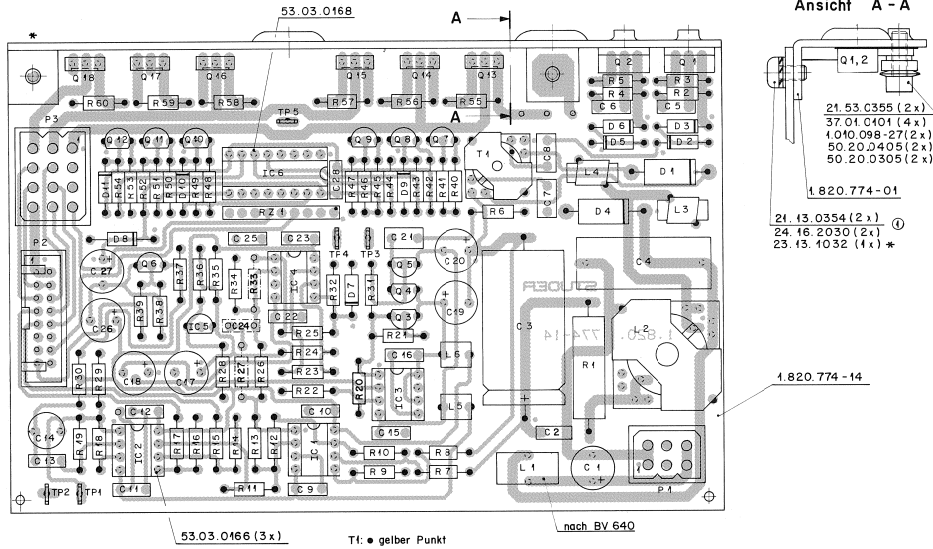
ORIG 85/07/08

S T U D E R (00) 85/07/08 CK TAPE LIFTER CONTROL PL 1.820.773.82 PAGE 1 S T U D E R (00) 85/07/08 CK TAPE LIFTER CONTROL PL 1.820.773.82 PAGE 3

CAPSTAN MOTOR DRIVE AMPLIFIER 1.820.774.25



CAPSTAN MOTOR DRIVE AMPLIFIER 1.820.774.25



IND.	POS.NO.	PART NO.	VALUE	SPECIFICATIONS / EQUIVALENT	MANUF.
	Q...16	50.03.0799	BD 680	see note 3	Ph
	Q...17	50.03.0749	BD 679	see note 3	Ph
	Q...18	50.03.0799	BD 680	see note 3	Ph
	R...11	57.56.5228	0.22 Ohm	10%, 4 W, WW	
	R...12	57.11.3100	10 Ohm	10%	
	R...13	57.11.3332	3.3 kOhm	10%	
	R...14	57.11.3100	10 Ohm	10%	
	R...15	57.11.3332	3.3 kOhm	10%	
	R...16	57.11.3100	10 Ohm	10%	
	R...17	57.11.3123	12 kOhm	1%	
	R...18	57.11.3123	12 kOhm	1%	
	R...19	57.11.3302	3 kOhm	1%	
	R...20	57.11.3103	10 kOhm	10%	
	R...21	57.11.3103	10 kOhm	10%	
	R...22	57.11.3103	10 kOhm	10%	
	R...23	57.11.3103	10 kOhm	10%	
	R...24	57.11.3103	10 kOhm	10%	
	R...25	57.11.3103	10 kOhm	10%	
	R...26	57.11.3103	10 kOhm	10%	
	R...27	57.11.3103	10 kOhm	10%	
	R...28	57.11.3103	10 kOhm	10%	
	R...29	57.11.3103	10 kOhm	10%	
	R...30	57.11.3103	10 kOhm	10%	
	R...31	57.11.3103	10 kOhm	10%	
	R...32	57.11.3103	10 kOhm	10%	
	R...33	57.11.3103	10 kOhm	10%	
	R...34	57.11.3103	10 kOhm	10%	
	R...35	57.11.3103	10 kOhm	10%	
	R...36	57.11.3103	10 kOhm	10%	
	R...37	57.11.3103	10 kOhm	10%	
	R...38	57.11.3103	10 kOhm	10%	
	R...39	57.11.3103	10 kOhm	10%	
	R...40	57.11.3103	10 kOhm	10%	
	R...41	57.11.3103	10 kOhm	10%	
	R...42	57.11.3103	10 kOhm	10%	
	R...43	57.11.3103	10 kOhm	10%	
	R...44	57.11.3103	10 kOhm	10%	
	R...45	57.11.3103	10 kOhm	10%	
	R...46	57.11.3103	10 kOhm	10%	
	R...47	57.11.3103	10 kOhm	10%	
	R...48	57.11.3103	10 kOhm	10%	
	R...49	57.11.3103	10 kOhm	10%	
	R...50	57.11.3103	10 kOhm	10%	
	R...51	57.11.3103	10 kOhm	10%	
	R...52	57.11.3103	10 kOhm	10%	
	R...53	57.11.3103	10 kOhm	10%	
	R...54	57.11.3103	10 kOhm	10%	
	R...55	57.11.3103	10 kOhm	10%	
	R...56	57.11.3103	10 kOhm	10%	
	R...57	57.11.3103	10 kOhm	10%	
	R...58	57.11.3103	10 kOhm	10%	
	R...59	57.11.3103	10 kOhm	10%	
	R...60	57.11.3103	10 kOhm	10%	

S T U D E R (00) 89/12/16 HSH CAP. MOT. DRIVE AMP. BOARD PL 1.820.774.25 PAGE 3

IND.	POS.NO.	PART NO.	VALUE	SPECIFICATIONS / EQUIVALENT	MANUF.
	R...34	57.11.3133	13 kOhm	1%	
	R...35	57.11.3681	680 Ohm	10%	
	R...36	57.11.3362	3.6 kOhm	1%	
	R...37	57.11.3102	1 kOhm	10%	
	R...38	57.11.3102	1 kOhm	10%	
	R...39	57.11.3470	47 Ohm	10%	
	R...40	57.11.3470	47 Ohm	10%	
	R...41	57.11.3102	1 kOhm	10%	
	R...42	57.11.3221	220 Ohm	10%	
	R...43	57.11.3102	1 kOhm	10%	
	R...44	57.11.3332	3.3 kOhm	10%	
	R...45	57.11.3470	47 Ohm	10%	
	R...46	57.11.3102	1 kOhm	10%	
	R...47	57.11.3332	3.3 kOhm	10%	
	R...48	57.11.3470	47 Ohm	10%	
	R...49	57.11.3102	1 kOhm	10%	
	R...50	57.11.3470	47 Ohm	10%	
	R...51	57.11.3332	3.3 kOhm	10%	
	R...52	57.11.3102	1 kOhm	10%	
	R...53	57.11.3221	220 Ohm	10%	
	R...54	57.11.3102	1 kOhm	10%	
	R...55	57.11.3222	2.2 kOhm	10%	
	R...56	57.11.3222	2.2 kOhm	10%	
	R...57	57.11.3222	2.2 kOhm	10%	
	R...58	57.11.3222	2.2 kOhm	10%	
	R...59	57.11.3222	2.2 kOhm	10%	
	R...60	57.11.3222	2.2 kOhm	10%	
	WZ...1	57.88.4332	Network	8 x 3.3 kOhm, 2%, STP 9	
	T...1	1.022.247.00		Drive Transformer	St
	TR...1	54.02.0320	Connector	1 contact, 2.840.8, flat	
	TR...2	54.02.0320	Connector	1 contact, 2.840.8, flat	
	TR...3	54.02.0320	Connector	1 contact, 2.840.8, flat	
	TR...4	54.02.0320	Connector	1 contact, 2.840.8, flat	
	TR...5	54.02.0320	Connector	1 contact, 2.840.8, flat	

S T U D E R (00) 89/12/16 HSH CAP. MOT. DRIVE AMP. BOARD PL 1.820.774.25 PAGE 4

IND.	POS.NO.	PART NO.	VALUE	SPECIFICATIONS / EQUIVALENT	MANUF.
	C...1	59.22.8220	22 uF	-20%, 63V, EL	
	C...2	59.26.0103	10 uF	10%, 63V, FETP	
	C...3	59.23.0121	470 nF	-20%, 63V, EL	
	C...4	59.02.0685	6.8 nF	10%, 63V, FETP	
	C...5	59.06.0332	3.3 nF	10%, 63V, FETP	
	C...6	59.06.0332	3.3 nF	10%, 63V, FETP	
	C...7	59.06.0334	330 nF	10%, 63V, FETP	
	C...8	59.06.0334	330 nF	10%, 63V, FETP	
	C...9	59.06.0104	100 nF	10%, 63V, FETP	
	C...10	59.06.0104	100 nF	10%, 63V, FETP	
	C...11	59.06.0104	100 nF	10%, 63V, FETP	
	C...12	59.06.0104	100 nF	10%, 63V, FETP	
	C...13	59.06.0104	100 nF	10%, 63V, FETP	
	C...14	59.05.1101	100 nF	10%, 63V, FETP	
	C...15	59.06.0104	100 nF	10%, 63V, FETP	
	C...16	59.06.0104	100 nF	10%, 63V, FETP	
	C...17	59.22.8101	100 nF	-20%, 25V, EL	
	C...18	59.22.8101	100 nF	-20%, 25V, EL	
	C...19	59.22.8101	100 nF	-20%, 25V, EL	
	C...20	59.22.8101	100 nF	-20%, 25V, EL	
	C...21	59.06.0334	330 nF	10%, 63V, FETP	
	C...22	59.06.0104	100 nF	10%, 63V, FETP	
	C...23	59.06.0104	100 nF	10%, 63V, FETP	
	C...24	59.06.0233	not used		
	C...25	59.22.8101	100 nF	-20%, 25V, EL	
	C...26	59.22.8101	100 nF	-20%, 25V, EL	
	C...27	59.22.8101	100 nF	-20%, 25V, EL	
	C...28	59.06.0104	100 nF	10%, 63V, FETP	
	D...1	50.04.0521	MH 410	5%, 1.3k	
	D...2	50.04.1216	Z 10 V	5%, 1.3k	
	D...3	50.04.1216	Z 10 V	5%, 1.3k	
	D...4	50.04.0521	MH 410	5%, 1.3k	
	D...5	50.04.1216	Z 10 V	5%, 1.3k	
	D...6	50.04.1216	Z 10 V	5%, 1.3k	
	D...7	50.04.1102	Z 6.8 V	5%, .40k	
	D...8	50.04.0521	MH 300	5%, 1.3k	

S T U D E R (00) 89/12/16 HSH CAP. MOT. DRIVE AMP. BOARD PL 1.820.774.25 PAGE 1

IND.	POS.NO.	PART NO.	VALUE	SPECIFICATIONS / EQUIVALENT	MANUF.
	D...9	50.04.1106	Z 2.7 V	5%, .40k	
	D...10	50.04.1106	Z 2.7 V	5%, .40k	
	D...11	50.04.1106	Z 2.7 V	5%, .40k	
	IC...1	50.09.0101	TL 072 CP	Met-Ti-MS	
	IC...2	50.09.0101	TL 072 CP	Met-Ti-MS	
	IC...3	50.05.0283	LM 393 ..	TDB 0193 DP	
	IC...4	50.09.0101	TL 072 CP	Met-Ti-MS	
	IC...5	50.10.0106	TL 431LCP	Met-Ti-MS	
	IC...6	1.820.997.20		Comutation logic device	St
	L...1	62.03.0010	48 uH	2 x Rillite	
	L...2	1.022.251.00	203 uH	Filtercoil	St
	L...3	62.99.0113	1.0 uH		
	L...4	62.99.0113	1.0 uH		
	L...5	62.03.2222	2.2 nH	10%, Rad. RM 5	
	L...6	62.03.2222	2.2 nH	10%, Rad. RM 5	
	P...1	54.02.0418	Connector	6 contact, MOLEX, see note 2	
	P...2	54.14.2102	Connector	16 contact, latch, flat cable	
	P...3	54.02.0408	Connector	12 contact, MOLEX, see note 1	
	Q...1	50.03.1502	IRF 522	NTP BR10	
	Q...2	50.03.1502	IRF 522	NTP BR10	
	Q...3	50.03.0360	BC 337-25		
	Q...4	50.03.0360	BC 337-25		
	Q...5	50.03.0361	BC 337-25		
	Q...6	50.03.1505	IR 0808 m	ZVM 0108 A	
	Q...7	50.03.0361	BC 337-25		
	Q...8	50.03.0360	BC 337-25		
	Q...9	50.03.0361	BC 337-25		
	Q...10	50.03.0360	BC 337-25		
	Q...11	50.03.0361	BC 337-25		
	Q...12	50.03.0360	BC 337-25		
	Q...13	50.03.0749	BD 679	see note 3	Ph
	Q...14	50.03.0799	BD 680	see note 3	Ph
	Q...15	50.03.0749	BD 679	see note 3	Ph

S T U D E R (00) 89/12/16 HSH CAP. MOT. DRIVE AMP. BOARD PL 1.820.774.25 PAGE 2

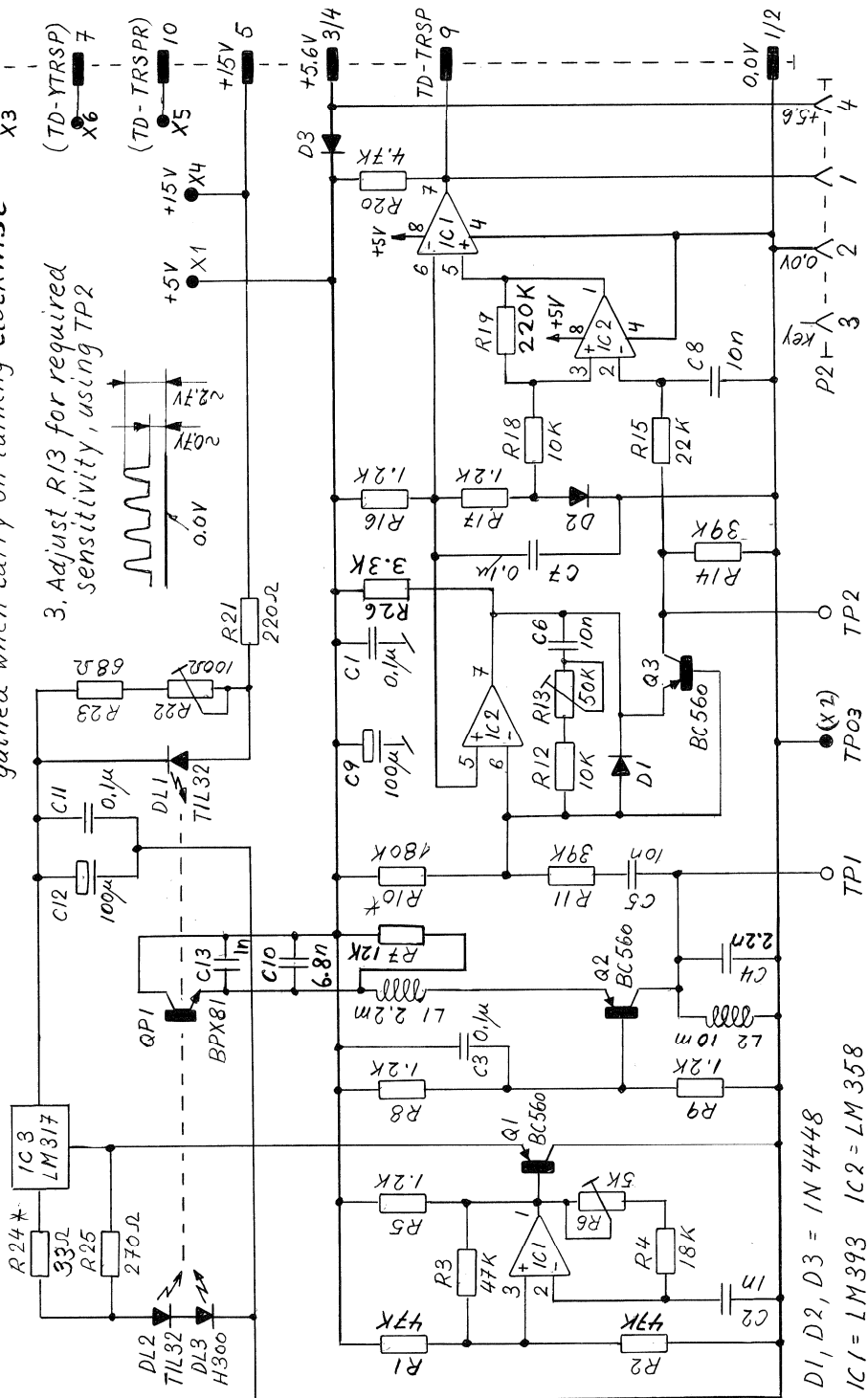
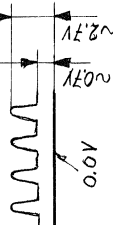
OPTO SENSOR BOARD 1.820.793.82

LINE UP PROCEDURE

1. With a leader tape of low transparency across the optosensor adjust R6 for max. signal on testpoint TPI

2. With a leader tape of low transparency plus one or two layers of splicing tape across the optosensor turn R22 up to the point where only a marginal increase of the signal on TPI is gained when carry on turning clockwise

3. Adjust R13 for required sensitivity, using TP2

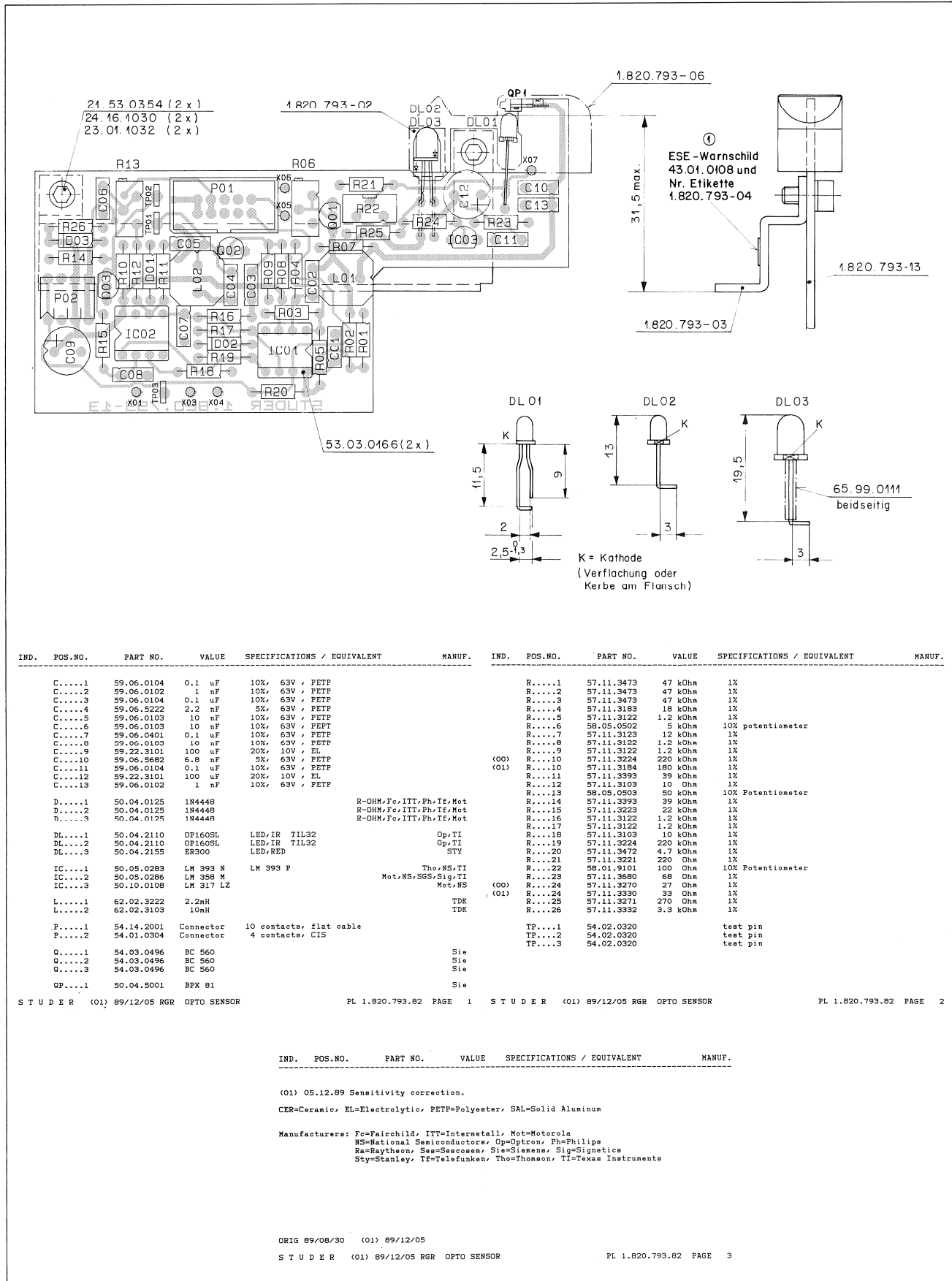


D1, D2, D3 = 1N4448
IC1 = LM393 IC2 = LM358

* has been modified

8.8.89	15.12.89
STUDER			OPTOSENSOR A820	1.820.793-82
PAGE			OF	

OPTO SENSOR BOARD 1.820.793.82



IND.	POS.NO.	PART NO.	VALUE	SPECIFICATIONS / EQUIVALENT	MANUF.	IND.	POS.NO.	PART NO.	VALUE	SPECIFICATIONS / EQUIVALENT	MANUF.
C.....1	59.06.0104	0.1 uF	10%, 63V	PETP		R.....1	57.11.3473	47 kOhm	1%		
C.....2	59.06.0102	1 nF	10%, 63V	PETP		R.....2	57.11.3473	47 kOhm	1%		
C.....3	59.06.0104	0.1 uF	10%, 63V	PETP		R.....3	57.11.3473	47 kOhm	1%		
C.....4	59.06.5222	2.2 nF	5%, 63V	PETP		R.....4	57.11.3183	18 kOhm	1%		
C.....5	59.06.0103	10 nF	10%, 63V	PETP		R.....5	57.11.3122	1.2 kOhm	1%		
C.....6	59.06.0103	10 nF	10%, 63V	PETP		R.....6	58.05.0502	5 kOhm	10%	potentiometer	
C.....7	59.06.0401	0.1 uF	10%, 63V	PETP		R.....7	57.11.3123	12 kOhm	1%		
C.....8	59.06.0103	10 nF	10%, 63V	PETP		R.....8	57.11.3122	1.2 kOhm	1%		
C.....9	59.22.3101	100 uF	20%, 10V	EL		R.....9	57.11.3122	1.2 kOhm	1%		
C.....10	59.06.5682	6.8 nF	5%, 63V	PETP		R.....10	57.11.3224	220 kOhm	1%		
C.....11	59.06.0104	0.1 uF	10%, 63V	PETP		R.....11	57.11.3184	180 kOhm	1%		
C.....12	59.22.3101	100 uF	20%, 10V	EL		R.....12	57.11.3393	39 kOhm	1%		
C.....13	59.06.0102	1 nF	10%, 63V	PETP		R.....13	57.11.3103	10 Ohm	1%		
D.....1	50.04.0125	1N4448			R-ORH,Fc,ITT,Ph,Te,Mot	R.....14	58.05.0503	50 kOhm	10%	Potentiometer	
D.....2	50.04.0125	1N4448			R-ORH,Fc,ITT,Ph,Te,Mot	R.....15	57.11.3393	39 kOhm	1%		
D.....3	50.04.012R	1N4448			R-ORH,Fc,ITT,Ph,Te,Mot	R.....16	57.11.3223	22 kOhm	1%		
DL.....1	50.04.2110	OP160SL	LED,IR	TIL32	Op, TI	R.....17	57.11.3122	1.2 kOhm	1%		
DL.....2	50.04.2110	OP160SL	LED,IR	TIL32	Op, TI	R.....18	57.11.3103	10 kOhm	1%		
DL.....3	50.04.2155	ER300	LED,RED		STY	R.....19	57.11.3224	220 kOhm	1%		
IC.....1	50.05.0283	LM 393 N	LM 393 P		Tho,NS, TI	R.....20	57.11.3472	4.7 kOhm	1%		
IC.....2	50.05.0286	LM 358 M			Mot,NS,SGS, Sig, TI	R.....21	57.11.3221	220 Ohm	1%		
IC.....3	50.10.0108	LM 317 LZ			Mot,NS	R.....22	58.01.9101	100 Ohm	10%	Potentiometer	
L.....1	62.02.3222	2.2mH				R.....23	57.11.3680	68 Ohm	1%		
L.....2	62.02.3103	10mH				R.....24	57.11.3270	27 Ohm	1%		
P.....1	54.14.2001	Connector	10 contacts, flat cable			R.....25	57.11.3330	33 Ohm	1%		
P.....2	54.01.0304	Connector	4 contacts, CIS			R.....26	57.11.3271	270 Ohm	1%		
Q.....1	54.03.0496	BC 560			Sie	R.....27	57.11.3332	3.3 kOhm	1%		
Q.....2	54.03.0496	BC 560			Sie	TP.....1	54.02.0320			test pin	
Q.....3	54.03.0496	BC 560			Sie	TP.....2	54.02.0320			test pin	
QP.....1	50.04.5001	BFX 81			Sie	TP.....3	54.02.0320			test pin	

S T U D E R (01) 89/12/05 RGR OPTO SENSOR FL 1.820.793.82 PAGE 1 S T U D E R (01) 89/12/05 RGR OPTO SENSOR PL 1.820.793.82 PAGE 2

IND. POS.NO. PART NO. VALUE SPECIFICATIONS / EQUIVALENT MANUF.

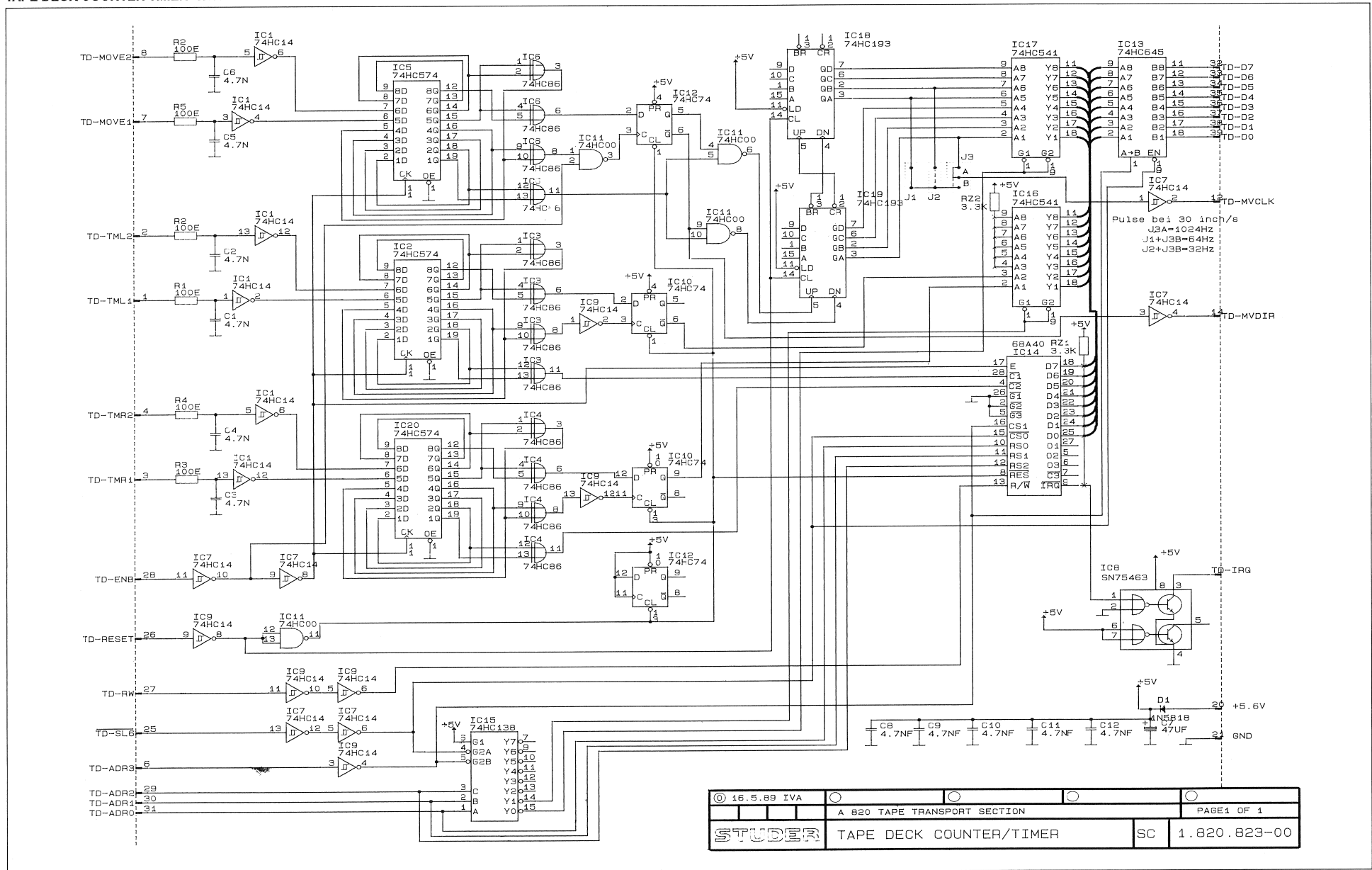
(01) 05.12.89 Sensitivity correction.

CER=Ceramic, EL=Electrolytic, PETP=Polyester, SAL=Solid Aluminum

Manufacturers: Fc=Fairchild, IIT=Internatell, Mot=Motorola
 NS=National Semiconductors, Op=Optron, Ph=Philips
 Ra=Raytheon, Sae=Seacosen, Sies=Siemens, Sig=Signetics
 Sty=Stanley, TE=Telefunken, Tho=Thomson, TI=Texas Instruments

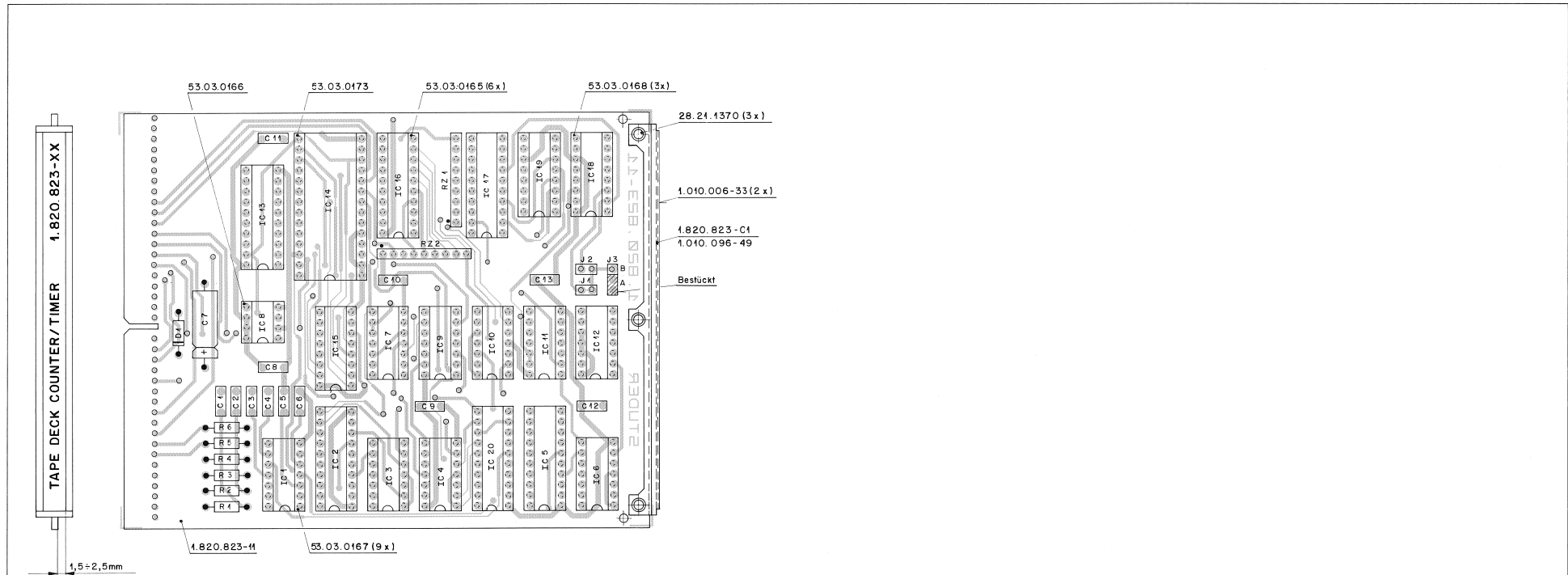
ORIG 89/08/30 (01) 89/12/05
 S T U D E R (01) 89/12/05 RGR OPTO SENSOR PL 1.820.793.82 PAGE 3

TAPE DECK COUNTER TIMER 1.820.823.00



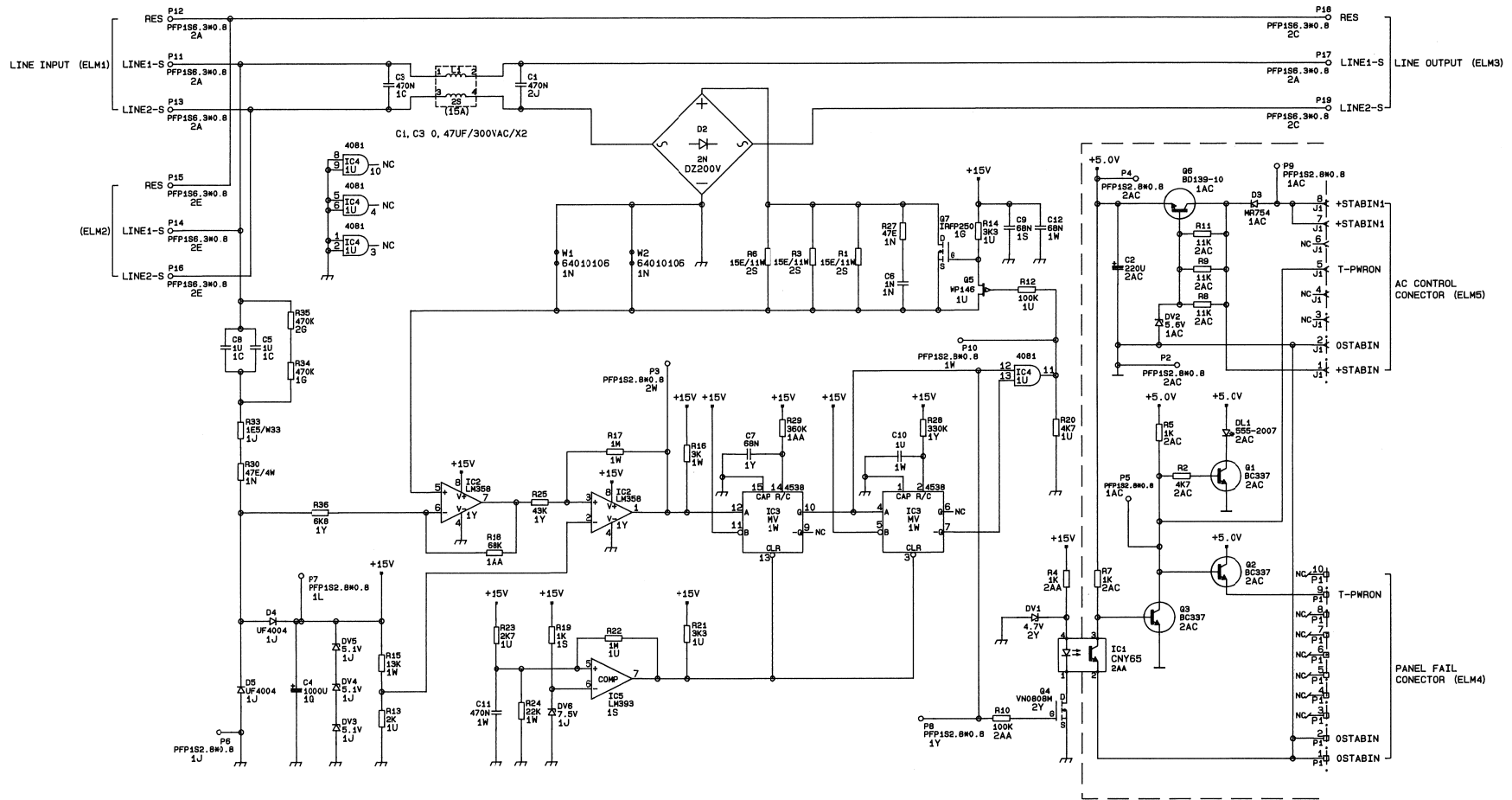
① 16.5.89 IVA	○	○	○	○
A 820 TAPE TRANSPORT SECTION		PAGE 1 OF 1		
STUDER TAPE DECK COUNTER/TIMER		SC	1.820.823-00	

TAPE DECK COUNTER/TIMER 1.820.823.00



IND.	POS.NO.	PART NO.	VALUE	SPECIFICATIONS / EQUIVALENT	MANUF.	IND.	POS.NO.	PART NO.	VALUE	SPECIFICATIONS / EQUIVALENT	MANUF.
D.....1		50.04.0512	1N 5818	1N 5019	Met	J.....1			note used		
C.....1		59.06.0472	4.7 nF	10R, 63V, FETP		J.....2			note used		
C.....2		59.06.0472	4.7 nF	10R, 63V, FETP		J.....3			see note 1		
C.....3		59.06.0472	4.7 nF	10R, 63V, FETP		R.....1		57.11.3101	100 Ohm	1X	
C.....4		59.06.0472	4.7 nF	10R, 63V, FETP		R.....2		57.11.3101	100 Ohm	1X	
C.....5		59.06.0472	4.7 nF	10R, 63V, FETP		R.....3		57.11.3101	100 Ohm	1X	
C.....6		59.06.0472	4.7 nF	10R, 63V, FETP		R.....4		57.11.3101	100 Ohm	1X	
C.....7		59.23.0470	47 nF	10R, 63V, FETP		R.....5		57.11.3101	100 Ohm	1X	
C.....8		59.06.0683	68 nF	10R, 63V, FETP		R.....6		57.11.3101	100 Ohm	1X	
C.....9		59.06.0683	68 nF	10R, 63V, FETP		RZ.....1		57.88.4332	Network, B 3.3 kOhm, 5% wingle line		
C.....10		59.06.0683	68 nF	10R, 63V, FETP		RZ.....2		57.88.4332	Network, B 3.3 kOhm, 5% wingle line		
C.....11		59.06.0683	68 nF	10R, 63V, FETP							
C.....12		59.06.0683	68 nF	10R, 63V, FETP							
C.....13		59.06.0683	68 nF	10R, 63V, FETP							
IC.....1		50.17.1014	74 HC 14	.. 74 HC 14 .	Met,NS,Ph,RCA,TL,Te						
IC.....2		50.17.1074	74 HC 574	.. 74 HC 574 .	Met,NS,Ph,RCA,SES,TL,Te						
IC.....3		50.17.1086	74 HC 86	.. 74 HC 86 .	Met,NS,Ph,RCA,SES,TL,Te						
IC.....4		50.17.1086	74 HC 86	.. 74 HC 86 .	Met,NS,Ph,RCA,SES,TL,Te						
IC.....5		50.17.1074	74 HC 574	.. 74 HC 574 .	Met,NS,Ph,RCA,SES,TL,Te						
IC.....6		50.17.1086	74 HC 86	.. 74 HC 86 .	Met,NS,Ph,RCA,SES,TL,Te						
IC.....7		50.17.1014	74 HC 14	.. 74 HC 14 .	Met,NS,Ph,RCA,TL,Te						
IC.....8		50.05.0203	SN 75463 P	SN 75463 JG, SN 55463 JG, DS 3613 R	NS,TL						
IC.....9		50.17.1014	74 HC 14	.. 74 HC 14 .	Met,NS,Ph,RCA,TL,Te						
IC.....10		50.17.1074	74 HC 74	.. 74 HC 74 .	Met,NS,Ph,RCA,SES,TL,Te						
IC.....11		50.17.1000	74 HC 00	.. 74 HC 00 .	Met,NS,Ph,RCA,SES,TL,Te						
IC.....12		50.17.1074	74 HC 74	.. 74 HC 74 .	Met,NS,Ph,RCA,SES,TL,Te						
IC.....13		50.17.1045	74 HC 645	.. 74 HC 645 .	Met,NS,Ph,RCA,SES,TL,Te						
IC.....14		50.16.0113	HC 68A 40P	HD 68A 40P	Hi,Met						
IC.....15		50.17.1138	74 HC 138	.. 74 HC 138 .	Met,NS,Ph,RCA,SES,TL,Te						
IC.....16		50.17.1541	74 HC 941	.. 74 HC 941 .	Met,NS,Ph,RCA,SES,TL,Te						
IC.....17		50.17.1541	74 HC 941	.. 74 HC 941 .	Met,NS,Ph,RCA,SES,TL,Te						
IC.....18		50.17.1193	74 HC 193	.. 74 HC 193 .	Met,NS,Ph,RCA,SES,TL,Te						
IC.....19		50.17.1193	74 HC 193	.. 74 HC 193 .	Met,NS,Ph,RCA,SES,TL,Te						
IC.....20		50.17.1574	74 HC 574	.. 74 HC 574 .	Met,NS,Ph,RCA,SES,TL,Te						

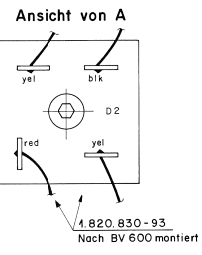
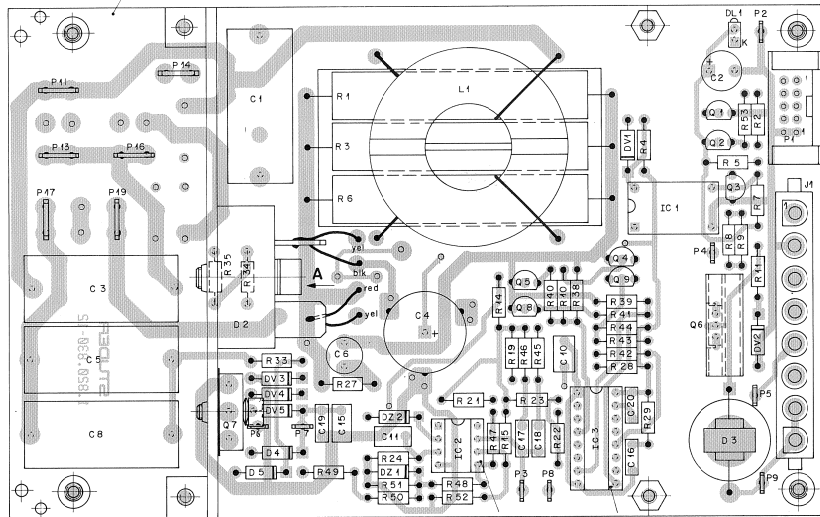
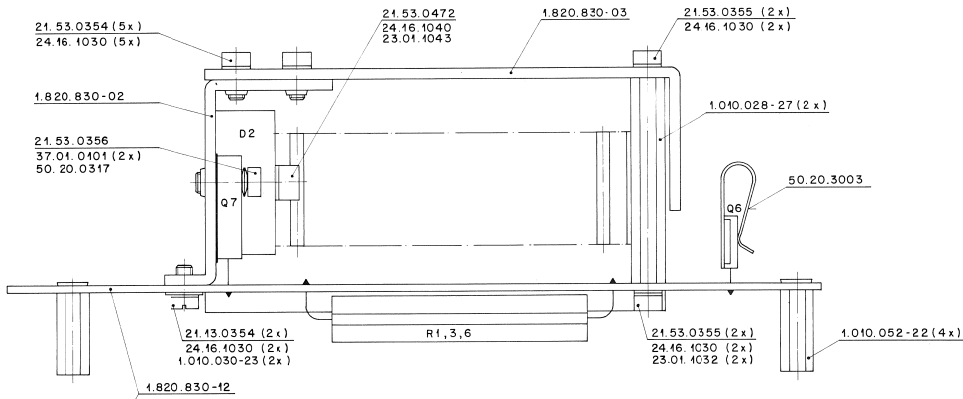
MAINS SOFT START BOARD 1.820.830.81



BAUGRUPPE 1.820.830-81 VERWENDET
PCB-LAYOUT 1.820.830-11

© 16.11.89 HRH/GBU				
STUDER		MAIN SOFT START PCB		SC 1.820.830-81
				PAGE 1 OF 1

MAINS SOFT START BOARD 1.820.830.82



IND.	POS.NO.	PART NO.	VALUE	SPECIFICATIONS / EQUIVALENT	MANUF.
IC...	3	50.07.1938	MC4558	BCF HEF4070BF, CD4070BE	Rot-NS, Ph
J...	1	54.25.0008	Connector	8 contact, 12A, ANP	
L...	1	62.03.0115		Common mode choke 15A	
MP...	1	1.820.830.02		Winkelblech	
MP...	2	1.020.030.03		Deckblech	
P...	1	54.14.2101	Connector	10 contact, ribbon-cable, latch	
P...	2	54.02.0320	Connector	Flat-pin IP 2.840.8 straight	
P...	3	54.02.0320	Connector	Flat-pin IP 2.840.8 straight	
P...	4	54.02.0320	Connector	Flat-pin IP 2.840.8 straight	
P...	5	54.02.0320	Connector	Flat-pin IP 2.840.8 straight	
P...	6	54.02.0320	Connector	Flat-pin IP 2.840.8 straight	
P...	7	54.02.0320	Connector	Flat-pin IP 2.840.8 straight	
P...	8	54.02.0320	Connector	Flat-pin IP 2.840.8 straight	
P...	9	54.02.0320	Connector	Flat-pin IP 2.840.8 straight	
P...	11	54.02.0335	Connector	Flat-pin IP 6.340.8 straight	
P...	12	54.02.0335	Connector	not used	
P...	13	54.02.0335	Connector	Flat-pin IP 6.340.8 straight	
P...	14	54.02.0335	Connector	Flat-pin IP 6.340.8 straight	
P...	15	54.02.0335	Connector	not used	
P...	16	54.02.0335	Connector	Flat-pin IP 6.340.8 straight	
P...	17	54.02.0335	Connector	Flat-pin IP 6.340.8 straight	
P...	18	54.02.0335	Connector	not used	
P...	19	54.02.0335	Connector	Flat-pin IP 6.340.8 straight	
PCB...	1	1.820.830.12		Empty PCB	
Q...	1	50.03.0340	BC337	BN, T092-1,	Si6
Q...	2	50.03.0340	BC337	BN, T092-1,	Si6
Q...	3	50.03.0340	BC337	BN, T092-1,	Si6
Q...	4	50.03.1509	W6008M	FFET, T0247,	Pa-Si6
Q...	5	50.03.0329	WF146	FFET, T092-6	Si6
Q...	6	50.03.0340	BD3910	BN, T01261,	Th-Met, Ph, Si6, Ti-IR
Q...	7	50.03.1612	INF250	FFET, T0247-1,	IR

IND.	POS.NO.	PART NO.	VALUE	SPECIFICATIONS / EQUIVALENT	MANUF.
Q...	8	50.03.0329	WF146	FFET, T092-6	Si6
Q...	9	50.03.0329	WF146	FFET, T092-6	Si6

IND.	POS.NO.	PART NO.	VALUE	SPECIFICATIONS / EQUIVALENT	MANUF.
R...	1	57.11.3190	15 Ohm	1W, 10%	
R...	2	57.11.3472	4.7 kOhm	MF, 1%	
R...	3	57.11.3190	15 Ohm	1W, 10%	
R...	4	57.11.3192	1 Ohm	MF, 1%	
R...	5	57.11.3192	1 Ohm	MF, 1%	
R...	6	57.11.3190	15 Ohm	1W, 10%	
R...	7	57.11.3192	1 Ohm	MF, 1%	
R...	8	57.11.3192	1 Ohm	MF, 1%	
R...	9	57.11.3193	1 Ohm	MF, 1%	
R...	10	57.11.3194	100 Ohm	MF, 1%	
R...	11	57.11.3193	1 Ohm	MF, 1%	
R...	14	57.11.3332	5.3 kOhm	MF, 1%	
R...	15	57.11.3193	1 Ohm	MF, 1%	
R...	19	57.11.3192	1 Ohm	MF, 1%	
R...	21	57.11.3332	3.3 kOhm	MF, 1%	
R...	22	57.11.3192	2 Ohm	MF, 1%	
R...	23	57.11.3272	2.7 kOhm	MF, 1%	
R...	24	57.11.3192	2 Ohm	MF, 1%	
R...	27	57.11.3470	47 Ohm	MF, 1%	
R...	28	57.11.3334	330 Ohm	MF, 1%	
R...	29	57.11.3394	390 Ohm	MF, 1%	
R...	30	57.11.3334	330 Ohm	MF, 1%	
R...	34	57.11.3474	470 Ohm	MF, 1%	
R...	35	57.11.3474	470 Ohm	MF, 1%	
R...	36	57.11.3474	470 Ohm	MF, 1%	
R...	38	57.11.3752	7.5 kOhm	MF, 1%	
R...	39	57.11.3759	7.5 kOhm	MF, 1%	
R...	40	57.11.3194	100 Ohm	MF, 1%	
R...	41	57.11.3194	100 Ohm	MF, 1%	
R...	42	57.11.3193	15 Ohm	MF, 1%	
R...	43	57.11.3193	15 Ohm	MF, 1%	
R...	44	57.11.3333	33 Ohm	MF, 1%	
R...	45	57.11.3333	33 Ohm	MF, 1%	
R...	46	57.11.3333	33 Ohm	MF, 1%	
R...	47	57.11.3474	470 Ohm	MF, 1%	

S T U D E R 1.820.830-82 PAGE 3

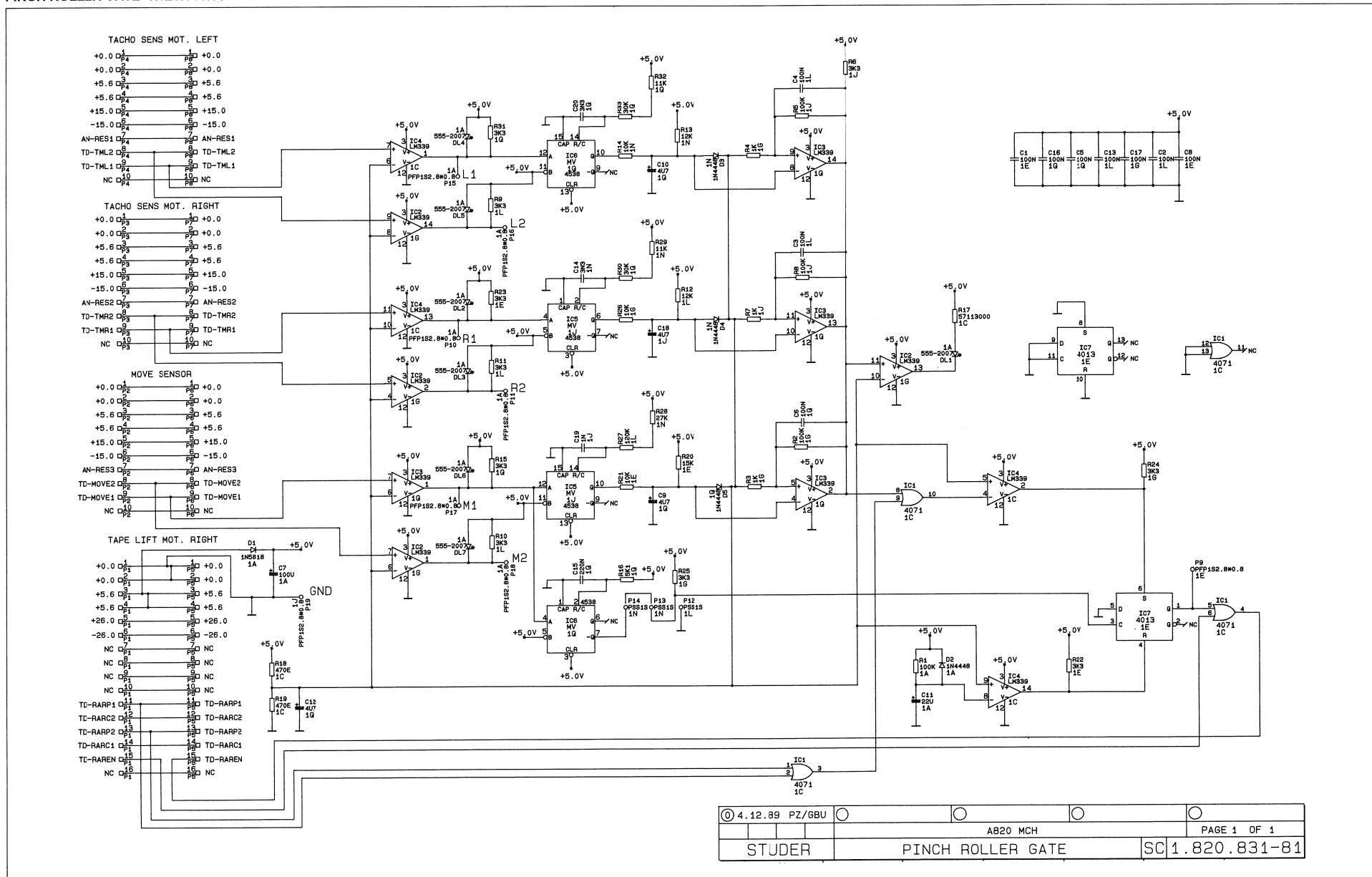
IND.	POS.NO.	PART NO.	VALUE	SPECIFICATIONS / EQUIVALENT	MANUF.
C...	1	59.14.3474	470 nF	300V, 20%	
C...	2	59.22.3221	220 nF	10V, 20%	
C...	3	59.14.3474	470 nF	300V, 20%	
C...	4	59.22.6102	1000 nF	40V, 20%	
C...	5	59.02.6105	1 nF	400V, 5%	
C...	6	59.05.2102	1 nF	630V, 2.5%	
C...	8	59.02.6105	1 nF	400V, 5%	
C...	10	59.06.2105	1 nF	50V, 5%	
C...	11	59.06.2474	470 nF	63V, 10%	
C...	15	59.06.0224	220 nF	63V, 10%	
C...	16	59.06.0339	33 nF	63V, 5%	
C...	17	59.06.0473	47 nF	63V, 10%	
C...	18	59.06.0339	33 nF	63V, 10%	
C...	19	59.06.0104	100 nF	63V, 10%	
C...	20	59.06.0104	100 nF	63V, 10%	
C...	21			not used	
C...	22			not used	
C...	24			not used	
D...	2	70.01.0232	KPC3502	35A, 200V	
D...	3	50.04.0188	MF754	194-05	
D...	4	50.04.0138	UF4004	D041	
D...	5	50.04.0138	UF4004	D041	
EL...	1	50.04.2107	555-2007	rad., 41F	
DW...	1	50.04.1123	Z 4.7V	5K, 0.5W, D035	
DW...	2	50.04.1108	Z 5.6V	5K, 0.5W, D035	
DW...	3	50.04.1109	Z 5.1V	5K, 1.3W, D041	
DW...	4	50.04.1109	Z 5.1V	5K, 1.3W, D041	
DW...	5	50.04.1109	Z 5.1V	5K, 1.3W, D041	
DZ...	1	50.04.1117	Z 12V	5K, 0.5W, D035	
DZ...	2	50.04.1103	Z 7.5V	5K, 0.5W, D035	
IC...	1	50.04.2148	CRV65		Met, NS, 7E
IC...	2	50.05.0085	LM 3588	LM 358P	

S T U D E R 1.820.830-82 PAGE 1

IND.	POS.NO.	PART NO.	VALUE	SPECIFICATIONS / EQUIVALENT	MANUF.
R...	48	57.11.3194	100 Ohm	MF, 1%	
R...	49	57.11.3193	21 Ohm	MF, 1%	
R...	50	57.11.3313	51 kOhm	MF, 1%	
R...	51	57.11.3313	51 kOhm	MF, 1%	
R...	52	57.11.3193	15 Ohm	MF, 1%	
R...	53	57.11.3191	100 Ohm	MF, 1%	
XIC...	1	53.03.0168		Di6-B-POL	
XIC...	2	53.03.0168		Di6-POL	

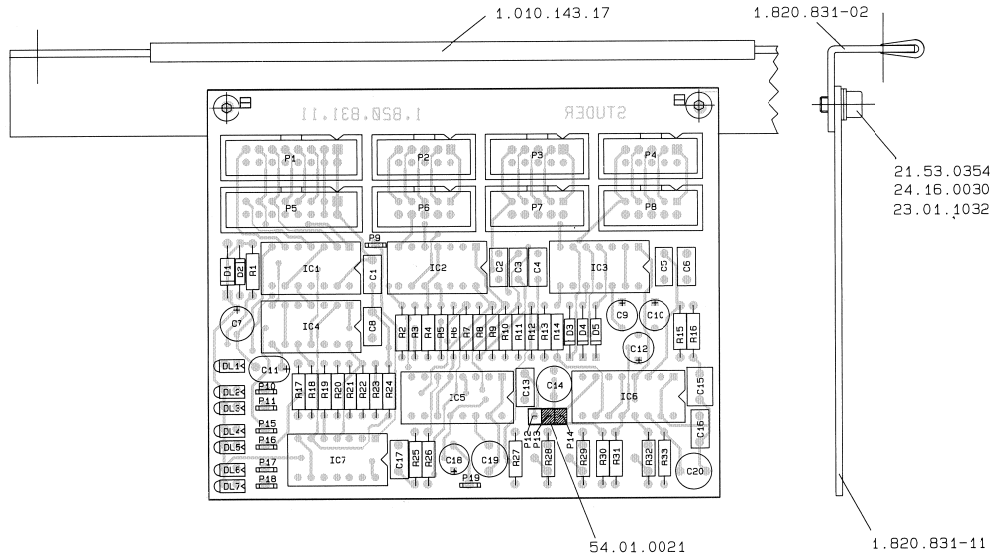
S T U D E R 1.820.830-82 PAGE 4

PINCH ROLLER GATE 1.820.831-81



STUDER D820 MCH

PINCH ROLLER GATE 1.820.831.81



IND.	POS.NO.	PART NO.	VALUE	SPECIFICATIONS / EQUIVALENT	MANUF.
IC	2	50.11.0104	LM 339	TDB 0139 BP	Not-MS-SGS
IC	3	50.11.0104	LM 339	TDB 0139 DF	Not-MS-SGS
IC	4	50.11.0104	LM 339	TDB 0139 DF	Not-MS-SGS
IC	5	50.07.1538	MC14538BCEP	HEP 4538 BP	Not-FH
IC	6	50.07.1538	MC14538BCEP	HEP 4538 BP	Not-FH
IC	7	50.07.0013	MC14013BCEP	HEP 4013 BP, CD 4013 BE	Not-FH/PCA-SGS

F	1	54.14.2002	16 cent.	see note 1	
F	2	54.14.2001	10 cent.	see note 2	
F	3	54.14.2001	10 cent.	see note 2	
F	4	54.14.2001	10 cent.	see note 2	
F	5	54.14.2002	16 cent.	see note 1	
F	6	54.14.2001	10 cent.	see note 2	
F	7	54.14.2001	10 cent.	see note 2	
F	8	54.14.2001	10 cent.	see note 2	
F	9	54.02.0320	Flat-pin	Tweptpoint	
F	10	54.02.0320	Flat-pin	Tweptpoint	
F	11	54.01.0020	Pin-strip	see note 3	
F	12	54.01.0020	Pin-strip	see note 3	
F	13	54.01.0020	Pin-strip	see note 3	
F	14	54.01.0020	Pin-strip	see note 3	
F	15	54.02.0320	Flat-pin	Tweptpoint	
F	16	54.02.0320	Flat-pin	Tweptpoint	
F	17	54.02.0320	Flat-pin	Tweptpoint	
F	18	54.02.0320	Flat-pin	Tweptpoint	
F	19	54.02.0320	Flat-pin	Tweptpoint	
R	1	57.11.3104	100 kOhm	2K	
R	2	57.11.3104	100 kOhm	2K	
R	3	57.11.3102	1 kOhm	2K	
R	4	57.11.3102	1 kOhm	2K	
R	5	57.11.3104	100 kOhm	2K	
R	6	57.11.3332	3.3 kOhm	2K	
R	7	57.11.3104	100 kOhm	2K	
R	8	57.11.3104	100 kOhm	2K	
R	9	57.11.3332	3.3 kOhm	2K	
R	10	57.11.3332	3.3 kOhm	2K	

S T U D E R (00) 09/12/04 NHR PINCH ROLLER GATE PL 1.820.831.81 PAGE 2

IND.	POS.NO.	PART NO.	VALUE	SPECIFICATIONS / EQUIVALENT	MANUF.
------	---------	----------	-------	-----------------------------	--------

R	11	57.11.3332	3.3 kOhm	2K	
R	12	57.11.3123	12 kOhm	1K	
R	13	57.11.3123	12 kOhm	1K	
R	14	57.11.3123	12 kOhm	1K	
R	15	57.11.3332	3.3 kOhm	2K	
R	16	57.11.3104	100 kOhm	2K	
R	17	57.11.3000	0 Ohm	1K	
R	18	57.11.3471	470 Ohm	1K	
R	19	57.11.3471	470 Ohm	1K	
R	20	57.11.3123	12 kOhm	1K	
R	21	57.11.3103	10 kOhm	2K	
R	22	57.11.3332	3.3 kOhm	2K	
R	23	57.11.3332	3.3 kOhm	2K	
R	24	57.11.3332	3.3 kOhm	2K	
R	25	57.11.3332	3.3 kOhm	2K	
R	26	57.11.3103	10 kOhm	1K	
R	27	57.11.3124	120 kOhm	1K	
R	28	57.11.3275	27 kOhm	1K	
R	29	57.11.3113	11 kOhm	1K	
R	30	57.11.3300	30 kOhm	1K	
R	31	57.11.3332	3.3 kOhm	2K	
R	32	57.11.3113	11 kOhm	1K	
R	33	57.11.3303	30 kOhm	1K	

S T U D E R (00) 09/12/04 NHR PINCH ROLLER GATE PL 1.820.831.81 PAGE 3

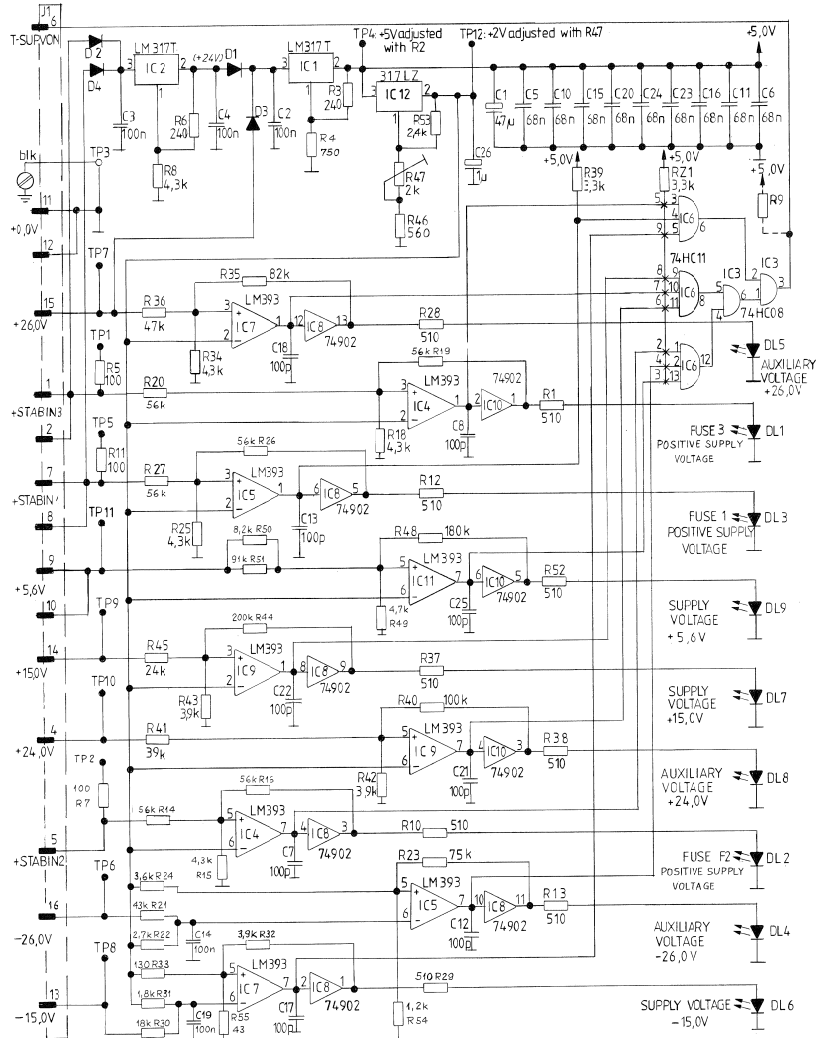
IND.	POS.NO.	PART NO.	VALUE	SPECIFICATIONS / EQUIVALENT	MANUF.
C	1	59.06.0104	100 nF	10K 63V, PETP	
C	2	59.06.0104	100 nF	not used	
C	3	59.06.0104	100 nF	not used	
C	4	59.06.0104	100 nF	not used	
C	5	59.06.0104	100 nF	10K 63V, PETP	
C	6	59.06.0104	100 nF	not used	
C	7	59.22.3101	100 nF	20K 25V, E1	
C	8	59.06.0104	100 nF	10K 63V, PETP	
C	9	59.22.8479	4.7 nF	20K 63V, E1	
C	10	59.22.8479	4.7 nF	20K 63V, E1	
C	11	59.06.0224	220 nF	10K 63V, PETP	
C	12	59.22.1220	22 nF	20K 63V, S1	
C	13	59.22.8479	4.7 nF	20K 63V, E1	
C	14	59.05.1332	3.3 nF	1K 160V, PF	
C	15	59.06.0224	220 nF	10K 63V, PETP	
C	16	59.06.0104	100 nF	10K 63V, PETP	
C	17	59.06.0104	100 nF	10K 63V, PETP	
C	18	59.22.8479	4.7 nF	20K 63V, E1	
C	19	59.05.1022	1 nF	1K 160V, PF	
C	20	59.05.1332	3.3 nF	1K 160V, PF	
D	1	50.04.0512	1N 5818	1N 5819, Not	
D	2	50.04.0125	1N 4448	For:ITT,Ph,Sea/IT	
D	3	50.04.0125	1N 4448	For:ITT,Ph,Sea/IT	
D	4	50.04.0125	1N 4448	For:ITT,Ph,Sea/IT	
D	5	50.04.0125	1N 4448	For:ITT,Ph,Sea/IT	
D	1	50.04.2107	550-2007	LEE, e4d, dir, DI	
D	2	50.04.2107	550-2007	LEE, e4d, dir, DI	
D	3	50.04.2107	550-2007	LEE, e4d, dir, DI	
D	4	50.04.2107	550-2007	LEE, e4d, dir, DI	
D	5	50.04.2107	550-2007	LEE, e4d, dir, DI	
D	6	50.04.2107	550-2007	LEE, e4d, dir, DI	
D	7	50.04.2107	550-2007	LEE, e4d, dir, DI	
IC	1	50.07.0022	MC14071BCEP	CD 4071 BE, NCF 4071 BE	Not-PCA-SGS

S T U D E R (00) 09/12/04 NHR PINCH ROLLER GATE PL 1.820.831.81 PAGE 1

IND.	POS.NO.	PART NO.	VALUE	SPECIFICATIONS / EQUIVALENT	MANUF.
Note 1 - Connector:					
		Yamaichi nr.	FAP-16-08-40 SS		
		Burdyn nr.	BN 9 P 16 N 00 GS		
		OW nr.	7616-6002 VC		
		Fanduit nr.	057-016.113		
Note 2 - Connector:					
		Yamaichi nr.	FAP-10-08-40 SS		
		Burdyn nr.	BN 9 P 10 N 00 GS		
		OW nr.	7610-6002 VC		
		Fanduit nr.	057-010.113		
Note 3 - Jumper switch:					
		Berg nr.	77 311-102-36		
		Phillips nr.	2422 062 43241		
		Studer nr.	54.01.0021		
		Berg nr.	65 474-001		
		Phillips nr.	2422 004 S8003		
E1=Electrolytic; PETP=Polystyrene; PF=Polypropylene; S1=Solid Aluminum; MANUFACTURER: Di=Diablo; Fo=Fairchild; ITT=Intermetall; Not=Notocelco; NS=National Semiconductor; Ph=Phillips; NCF=NCF Corporation; S=Saacowan; SGS=SGS/Atar; Si=Siemens; T=Telefunken.					

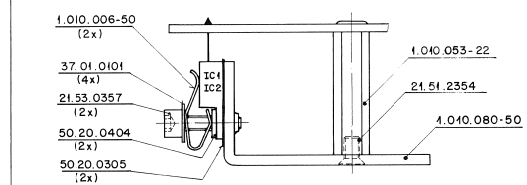
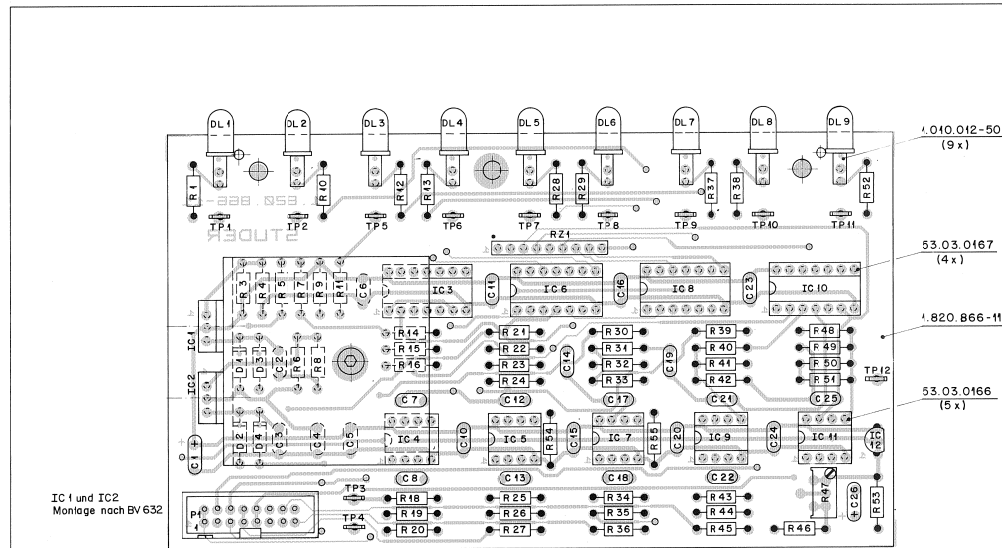
S T U D E R (00) 09/12/04 NHR PINCH ROLLER GATE PL 1.820.831.81 PAGE 4

FUSE/SUPPLY FAILURE DETECTOR 1.820.866.00



0	7.10.86 Eurcinger	○ . . ○ . . ○ . . ○ . .	PAGE 4 OF 4
STUDER	Fuse / Supply Failure Detector	SC 1.820.866.00	

FUSE/SUPPLY FAILURE DETECTOR 1.820.866.00



IND.	POS.NO.	PART NO.	VALUE	SPECIFICATIONS / EQUIVALENT	MANUF.
C...	1	59.06.0470	47 nF	20K, 6.3 V, Sal	Ph-Ri
C...	2	59.06.0104	100 nF	10K, PETP	
C...	3	59.06.0104	100 nF	10K, PETP	
C...	4	59.06.0104	100 nF	10K, PETP	
C...	5	59.06.0683	68 nF	20K, PETP	
C...	6	59.06.0683	68 nF	20K, PETP	
C...	7	59.34.4101	100 pF	10K, Cer	
C...	8	59.34.4101	100 pF	10K, Cer	
C...	9	59.06.0683	not used	20K, PETP	
C...	10	59.06.0683	68 nF	20K, PETP	
C...	11	59.34.4101	100 pF	10K, Cer	
C...	12	59.34.4101	100 pF	10K, Cer	
C...	13	59.06.0104	100 nF	10K, PETP	
C...	14	59.06.0104	100 nF	10K, PETP	
C...	15	59.06.0683	68 nF	20K, PETP	
C...	16	59.06.0683	68 nF	20K, PETP	
C...	17	59.34.4101	100 pF	10K, Cer	
C...	18	59.34.4101	100 pF	10K, Cer	
C...	19	59.06.0104	100 nF	10K, PETP	
C...	20	59.06.0683	68 nF	20K, PETP	
C...	21	59.34.4101	100 pF	10K, Cer	
C...	22	59.34.4101	100 pF	10K, Cer	
C...	23	59.06.0683	68 nF	20K, PETP	
C...	24	59.06.0683	68 nF	20K, PETP	
C...	25	59.34.4101	100 pF	10K, Cer	
C...	26	59.34.4101	100 pF	10K, Cer	
C...	27	59.06.0104	100 nF	20K, 6.3 V, Sal	Ph-Ri
D...	1	50.04.0122	1W 4001	... 1W 4004	01/Met
D...	2	50.04.0122	1W 4001	... 1W 4004	01/Met
D...	3	50.04.0122	1W 4001	... 1W 4004	01/Met
D...	4	50.04.0122	1W 4001	... 1W 4004	01/Met
DL...	1	50.04.2113	NV 5453	CM 4-384 B, HLMF-3507	Nw/Cw/HP
DL...	2	50.04.2113	NV 5453	CM 4-384 B, HLMF-3507	Nw/Cw/HP
DL...	3	50.04.2113	NV 5453	CM 4-384 B, HLMF-3507	Nw/Cw/HP
DL...	4	50.04.2113	NV 5453	CM 4-384 B, HLMF-3507	Nw/Cw/HP
DL...	5	50.04.2113	NV 5453	CM 4-384 B, HLMF-3507	Nw/Cw/HP

STUDER (01) 06/12/15 BD FUSE/SUPPLY FAILURE DETECTOR PL 1.820.866.00 PAGE 1

IND.	POS.NO.	PART NO.	VALUE	SPECIFICATIONS / EQUIVALENT	MANUF.
DL...	6	50.04.2113	NV 5453	CM 4-384 B, HLMF-3507	Nw/Cw/HP
DL...	7	50.04.2113	NV 5453	CM 4-384 B, HLMF-3507	Nw/Cw/HP
DL...	8	50.04.2113	NV 5453	CM 4-384 B, HLMF-3507	Nw/Cw/HP
DL...	9	50.04.2113	NV 5453	CM 4-384 B, HLMF-3507	Nw/Cw/HP
IC...	1	50.19.0104	LM 317 T	... KC, ... SP	NS/Met/SGS/Tho-TI
IC...	2	50.19.0104	LM 317 T	... KC, ... SP	NS/Met/SGS/Tho-TI
IC...	3	50.11.0008	74 HC 00		Ph/Met/MS/RO/Th-TI
IC...	4	50.05.0283	LM 393 N	LM 393 F	TI/MS
IC...	5	50.05.0283	LM 393 N	LM 393 F	TI/MS
IC...	6	50.11.1011	74 HC 11	LM 393 F	Ph/Met/MS/RO/Th-TI
IC...	7	50.05.0283	LM 393 N	LM 393 F	TI/MS
IC...	8	50.07.0902	74 2902 N	LM 393 F	MS
IC...	9	50.05.0283	LM 393 N	LM 393 F	TI/MS
IC...	10	50.07.0902	74 2902 N	LM 393 F	MS
IC...	11	50.05.0283	LM 393 N	LM 393 F	TI/MS
IC...	12	50.16.0108	LM 317 LZ		NS/Met
F...	1	54.14.2002		see note 1	
R...	1	57.11.3511	510 Ohm	2K	
R...	2	57.11.3241	240 Ohm	2K	
R...	3	57.11.3791	750 Ohm	2K	
R...	4	57.11.3241	240 Ohm	2K	
R...	5	57.19.0101	100 Ohm	10K	
R...	6	57.11.3241	240 Ohm	2K	
R...	7	57.19.0101	100 Ohm	10K	
R...	8	57.11.3452	4.3 kOhm	2K	
R...	9	57.19.0101	100 Ohm	10K	
R...	10	57.11.3511	510 Ohm	2K	
R...	11	57.19.0101	100 Ohm	10K	
R...	12	57.11.3511	510 Ohm	2K	
R...	13	57.11.3511	510 Ohm	2K	
R...	14	57.11.3623	62 kOhm	2K	
R...	15	57.11.3563	56 kOhm	2K	
R...	16	57.11.3452	4.3 kOhm	2K	
R...	17	57.11.3913	91 kOhm	2K	

STUDER (01) 06/12/15 BD FUSE/SUPPLY FAILURE DETECTOR PL 1.820.866.00 PAGE 2

IND.	POS.NO.	PART NO.	VALUE	SPECIFICATIONS / EQUIVALENT	MANUF.
(01)	R...	57.11.3563	56 kOhm	2K	
	R...	not used			
(00)	R...	57.11.3432	4.3 kOhm	2K	
(01)	R...	57.11.3913	91 kOhm	2K	
(00)	R...	57.11.3563	56 kOhm	2K	
(00)	R...	57.11.3623	62 kOhm	2K	
(01)	R...	57.11.3563	56 kOhm	2K	
	R...	57.11.3432	4.3 kOhm	2K	
	R...	57.11.3272	2.7 kOhm	2K	
	R...	57.11.3792	750 Ohm	2K	
	R...	57.11.3362	3.6 kOhm	2K	
	R...	57.11.3432	4.3 kOhm	2K	
(00)	R...	57.11.3913	91 kOhm	2K	
(01)	R...	57.11.3563	56 kOhm	2K	
(00)	R...	57.11.3623	62 kOhm	2K	
(01)	R...	57.11.3511	510 Ohm	2K	
	R...	57.11.3183	18 kOhm	1K	
	R...	57.11.3182	1.8 kOhm	1K	
(00)	R...	57.11.3682	6.8 kOhm	1K	
(01)	R...	57.11.3392	3.9 kOhm	1K	
	R...	57.11.3131	130 Ohm	1K	
	R...	57.11.3432	4.3 kOhm	2K	
	R...	57.11.4473	47 kOhm	2K	
	R...	57.11.4823	82 kOhm	2K	
	R...	57.11.3511	510 Ohm	2K	
	R...	57.11.3511	510 Ohm	2K	
(00)	R...	57.11.3332	3.3 kOhm	10K	
(01)	R...	57.11.4332	3.3 kOhm	10K	
	R...	57.11.4154	150 Ohm	2K	
	R...	57.11.4332	3.3 kOhm	10K	
	R...	57.11.3392	3.9 kOhm	2K	
	R...	57.11.3392	3.9 kOhm	2K	
(00)	R...	57.11.3184	180 Ohm	1K	
(01)	R...	57.11.3204	200 kOhm	1K	
	R...	57.11.3243	24 kOhm	1K	

STUDER (01) 06/12/15 BD FUSE/SUPPLY FAILURE DETECTOR PL 1.820.866.00 PAGE 3

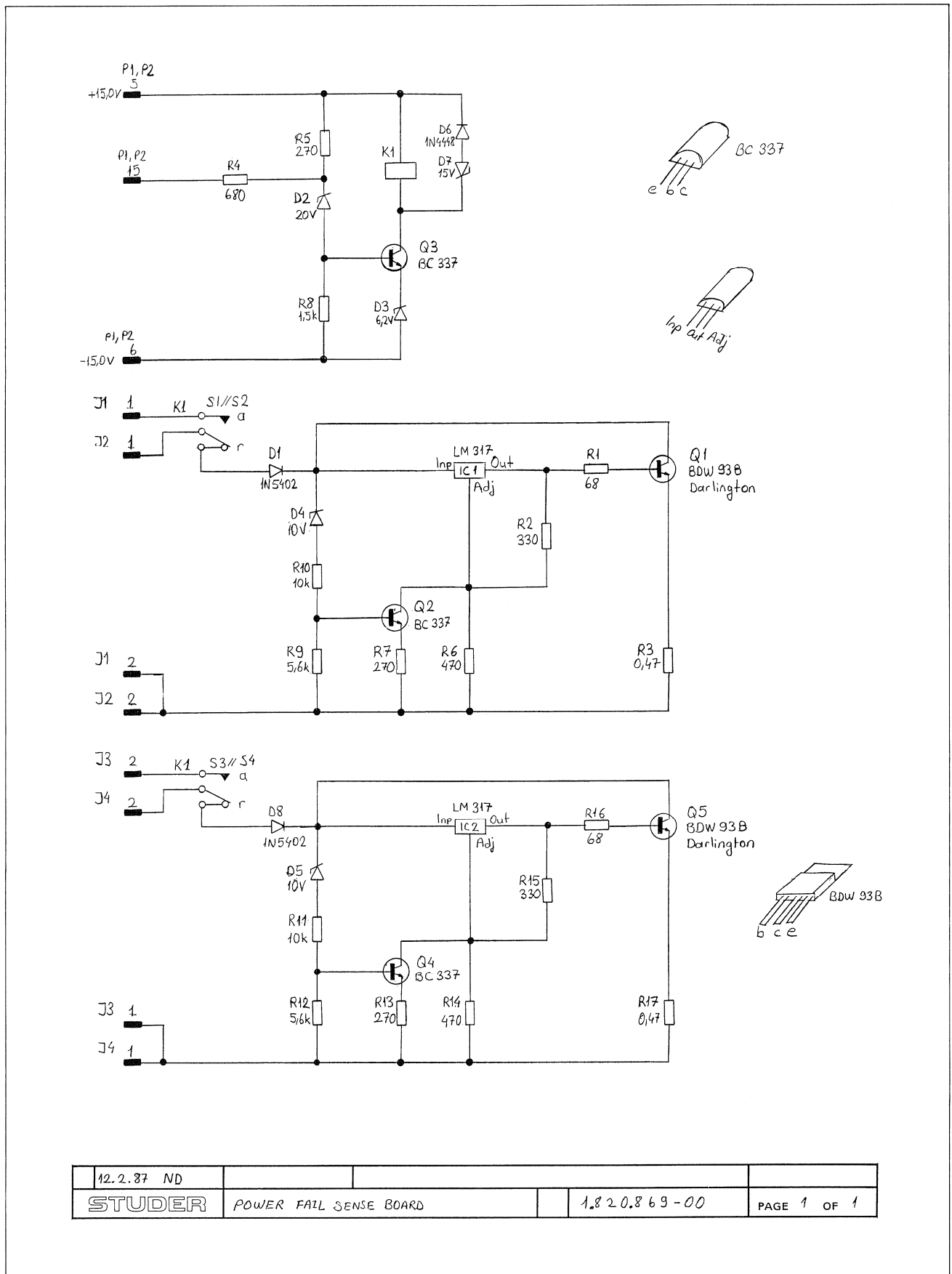
IND.	POS.NO.	PART NO.	VALUE	SPECIFICATIONS / EQUIVALENT	MANUF.
R...	46	57.11.4561	560 Ohm	2K	
R...	47	58.09.1202	2 kOhm	see note 2	
(00)	R...	57.11.3184	180 kOhm	1K	
(01)	R...	57.11.3432	4.3 kOhm	1K	
(01)	R...	57.11.3472	4.7 kOhm	1K	
(00)	R...	57.11.3332	3.3 kOhm	1K	
(01)	R...	57.11.3922	8.2 kOhm	1K	
(00)	R...	57.11.3912	2.1 kOhm	1K	
(01)	R...	57.11.3913	91 kOhm	1K	
	R...	57.11.3511	510 Ohm	2K	
	R...	57.11.3242	2.4 kOhm	2K	
	R...	57.11.3122	1.2 kOhm	1K	
	R...	57.11.3430	43 Ohm	1K	
SG...	1	57.08.4392		see note 3	
TP...	1	54.02.0320		Testpoint	
TP...	2	54.02.0320		Testpoint	
TP...	3	54.02.0320		Testpoint	
TP...	4	54.02.0320		Testpoint	
TP...	5	54.02.0320		Testpoint	
TP...	6	54.02.0320		Testpoint	
TP...	7	54.02.0320		Testpoint	
TP...	8	54.02.0320		Testpoint	
TP...	9	54.02.0320		Testpoint	
TP...	10	54.02.0320		Testpoint	
TP...	11	54.02.0320		Testpoint	
TP...	12	54.02.0320		Testpoint	

STUDER (01) 06/12/15 BD FUSE/SUPPLY FAILURE DETECTOR PL 1.820.866.00 PAGE 4

IND.	POS.NO.	PART NO.	VALUE	SPECIFICATIONS / EQUIVALENT	MANUF.
(01)	15.12.86			Improved accuracy of voltage measurement.	
Note 1				Plug, 16 contacts: Yamaichi nr. FAP-16-08/4	
				Burndy nr. 99W 9 B 16 300 55	
Note 2				2 kOhm Potentiometer: Bussac nr. 3296 Y-1-202	
				Spacetal nr. 64 Y 202 T 000	
				Carlslee nr. 189 MZ 302	
				Murata nr. PUT 3105 Y - 1 - 202	
Note 3				3 - 0 * 3.3 kOhm Network: Slovrad nr. COP X 3.3 K J	
				Intelco nr. H88 3.3 K X	
				Cer=Ceramic, PETP=Polystyrenefilm, Sal=Solid aluminium.	
MANUFACTURER:				CM=Chicozo Miniatur, E=General Instruments, HP=Harris Packard, IT=Intermetall, Not=Motorola, NS=Nippon, RO=National Semiconductor, Ph=Philips, SCA=SCA Corporation of America, R=Rifa, SGS=SGS / Ates, S=Siemens/Thomson CSP, TI=Texas Instruments, Th=Thomson.	

ORIG 06/07/17 (01) 06/12/15
STUDER (01) 06/12/15 BD FUSE/SUPPLY FAILURE DETECTOR PL 1.820.866.00 PAGE 5

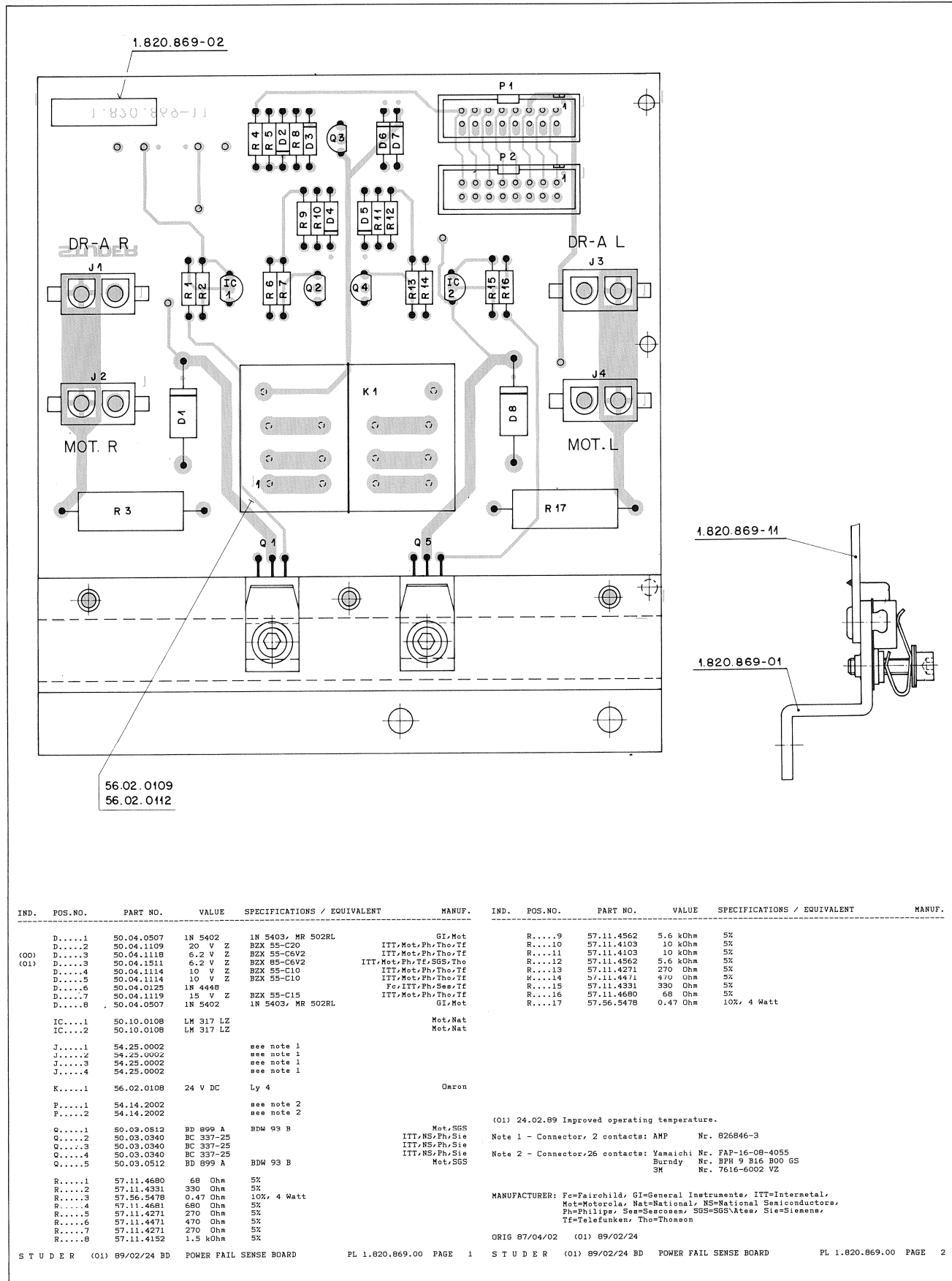
POWER FAIL SENSE BOARD 1.820.869.00



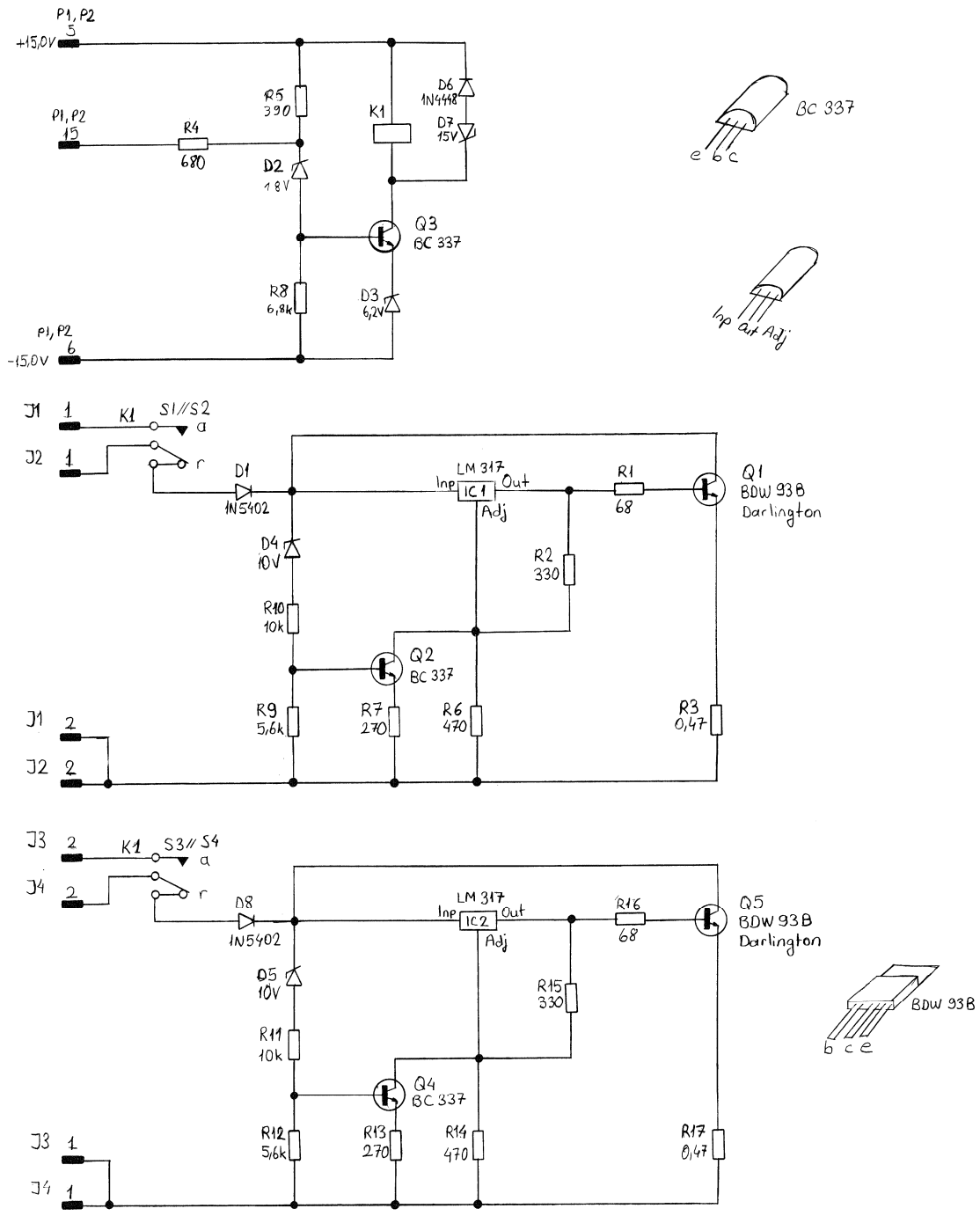
12.2.87 ND			
STUDER	POWER FAIL SENSE BOARD	1.8 2 0.8 69 - 00	PAGE 1 OF 1

STUDER D820 MCH

POWER FAIL SENSE BOARD 1.820.869.00

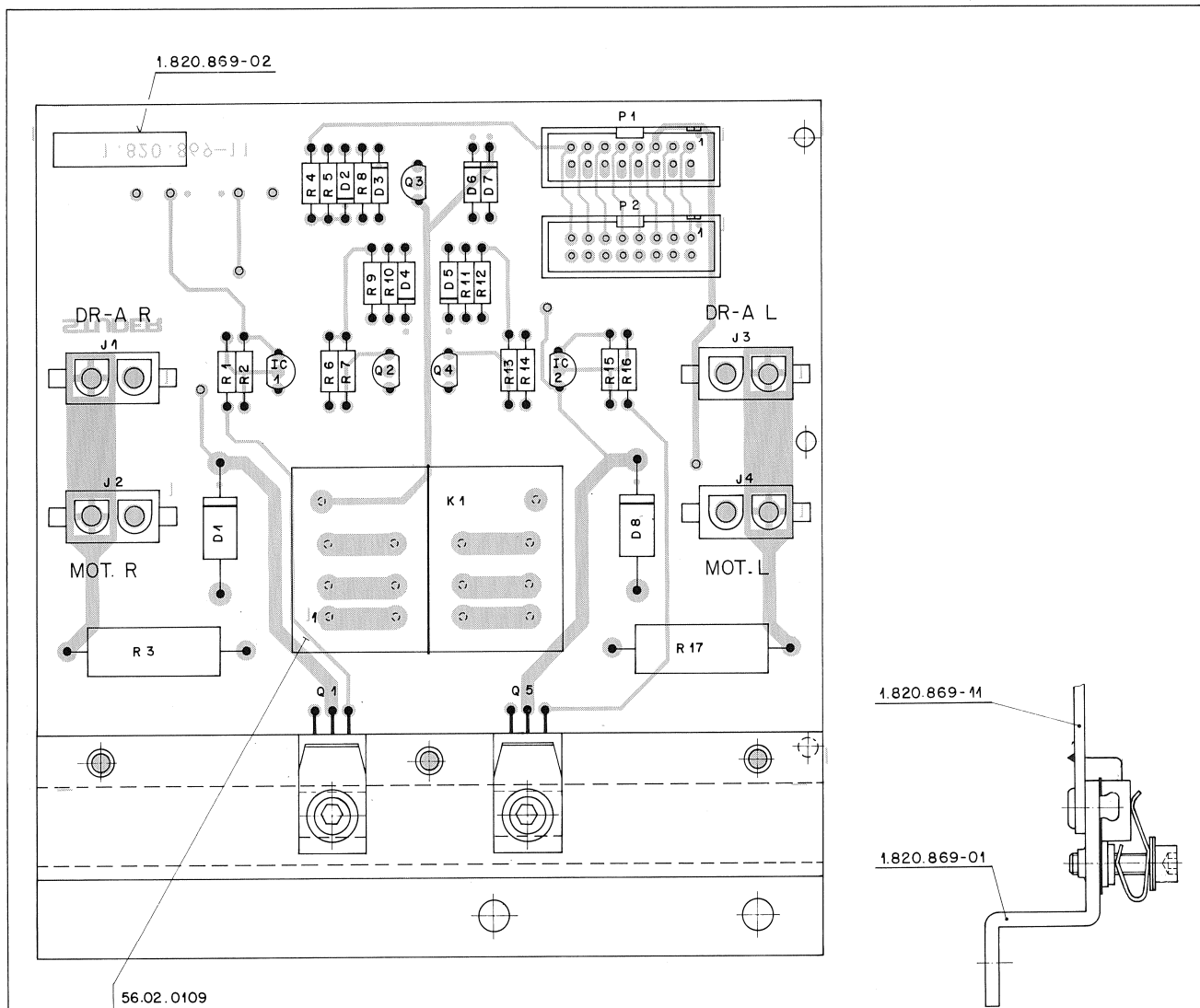


POWER FAIL SENSE BOARD 1.820.869.81



7. 6. 90 VF			
STUDER	POWER FAIL SENSE BOARD	1.8 2 0.8 69 - 8 1	PAGE 1 OF 1

POWER FAIL SENSE BOARD 1.820.869.81



56.02.0109
56.02.0112

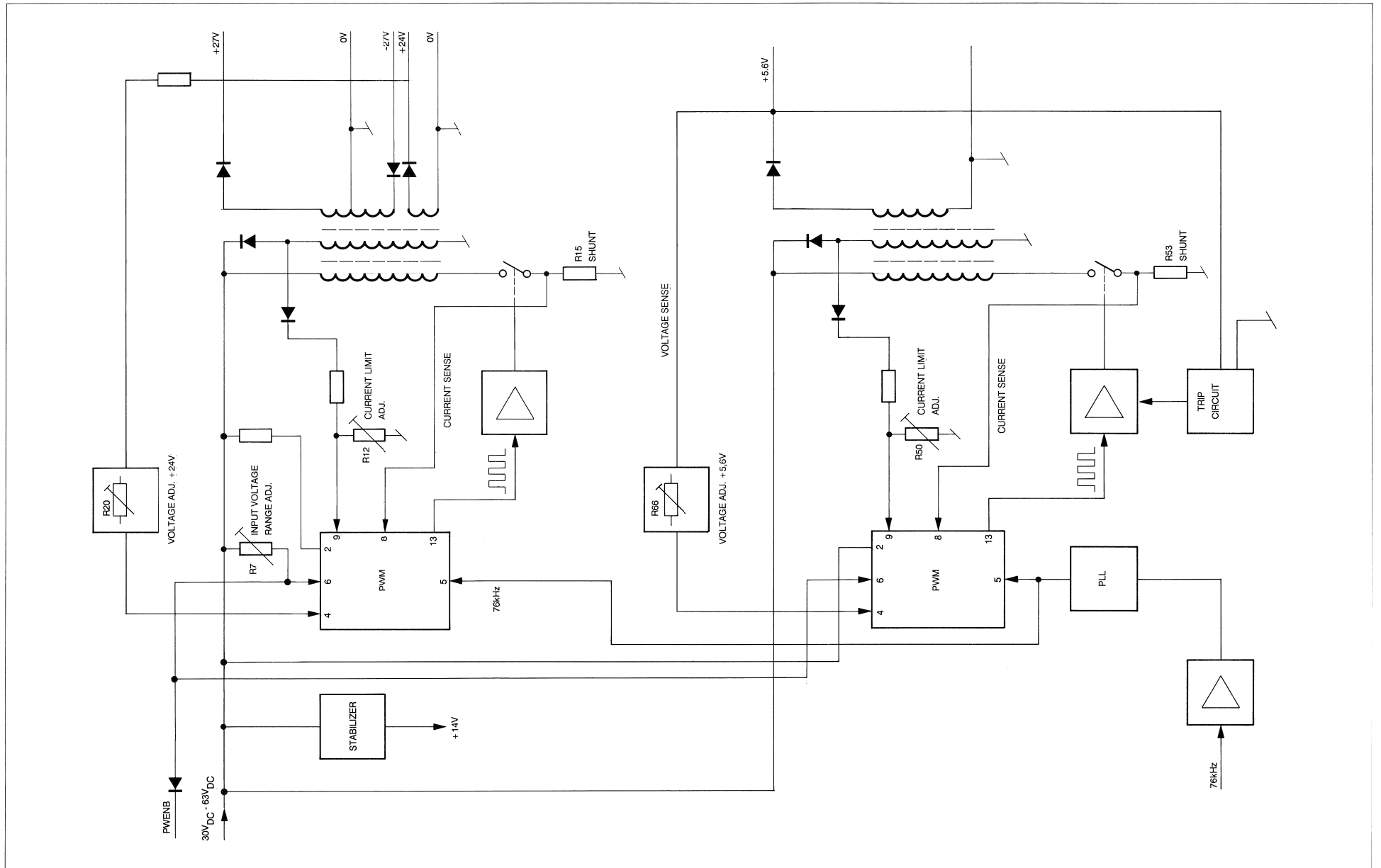
IND.	POS.NO.	PART NO.	VALUE	SPECIFICATIONS / EQUIVALENT	MANUF.	IND.	POS.NO.	PART NO.	VALUE	SPECIFICATIONS / EQUIVALENT	MANUF.
D....1	50.04.0507	1N 5402	1N 5403, MR 502RL	GI, Mot	R....10	57.11.3103	10 kOhm	5%			
D....2	50.04.1222	18 V Z	5%, 1.3 W	ITT, Mot, Ph, Tho, Tf	R....11	57.11.3103	10 kOhm	5%			
D....3	50.04.1511	6.2 V Z	BZX 85-C6V2	ITT, Mot, Ph, Tf, SGS, Tho	R....12	57.11.3562	5.6 kOhm	5%			
D....4	50.04.1114	10 V Z	BZX 55-C10	ITT, Mot, Ph, Tho, Tf	R....13	57.11.3271	270 Ohm	5%			
D....5	50.04.1114	10 V Z	BZX 55-C10	ITT, Mot, Ph, Tho, Tf	R....14	57.11.3471	470 Ohm	5%			
D....6	50.04.0125	1N 4448		Fc, ITT, Ph, See, Tf	R....15	57.11.3331	330 Ohm	5%			
D....7	50.04.1119	15 V Z	BZX 55-C15	ITT, Mot, Ph, Tho, Tf	R....16	57.11.3680	68 Ohm	5%			
D....8	50.04.0507	1N 5402	1N 5403, MR 502RL	GI, Mot	R....17	57.56.5478	0.47 Ohm	10%, 4 Watt			
IC....1	50.10.0108	LM 317 LZ		Mot, Nat							
IC....2	50.10.0108	LM 317 LZ		Mot, Nat							
J....1	54.25.0002		see note 1								
J....2	54.25.0002		see note 1								
J....3	54.25.0002		see note 1								
J....4	54.25.0002		see note 1								
K....1	56.02.0108	24 V DC	Ly 4	Onron							
P....1	54.14.2002		see note 2								
P....2	54.14.2002		see note 2								
Q....1	50.03.0512	BD 899 A	BDW 93 B	Mot, SGS							
Q....2	50.03.0340	BC 337-25		ITT, NS, Ph, Sie							
Q....3	50.03.0340	BC 337-25		ITT, NS, Ph, Sie							
Q....4	50.03.0340	BC 337-25		ITT, NS, Ph, Sie							
Q....5	50.03.0512	BD 899 A	BDW 93 B	Mot, SGS							
R....1	57.11.3680	68 Ohm	5%								
R....2	57.11.3391	330 Ohm	5%								
R....3	57.56.5478	0.47 Ohm	10%, 4 Watt								
R....4	57.11.3681	680 Ohm	5%								
R....5	57.11.3391	390 Ohm	5%								
R....6	57.11.3471	470 Ohm	5%								
R....7	57.11.3271	270 Ohm	5%								
R....8	57.11.3682	6.8 kOhm	5%								
R....9	57.11.3562	5.6 kOhm	5%								

Note 1 - Connector, 2 contacts: AMP Nr. 826946-3
 Note 2 - Connector, 26 contacts: Yamachi Nr. FAP-16-08-4055
 Burndy Nr. BPH 9 B16 B00 G5
 3M Nr. 7616-6002 VZ

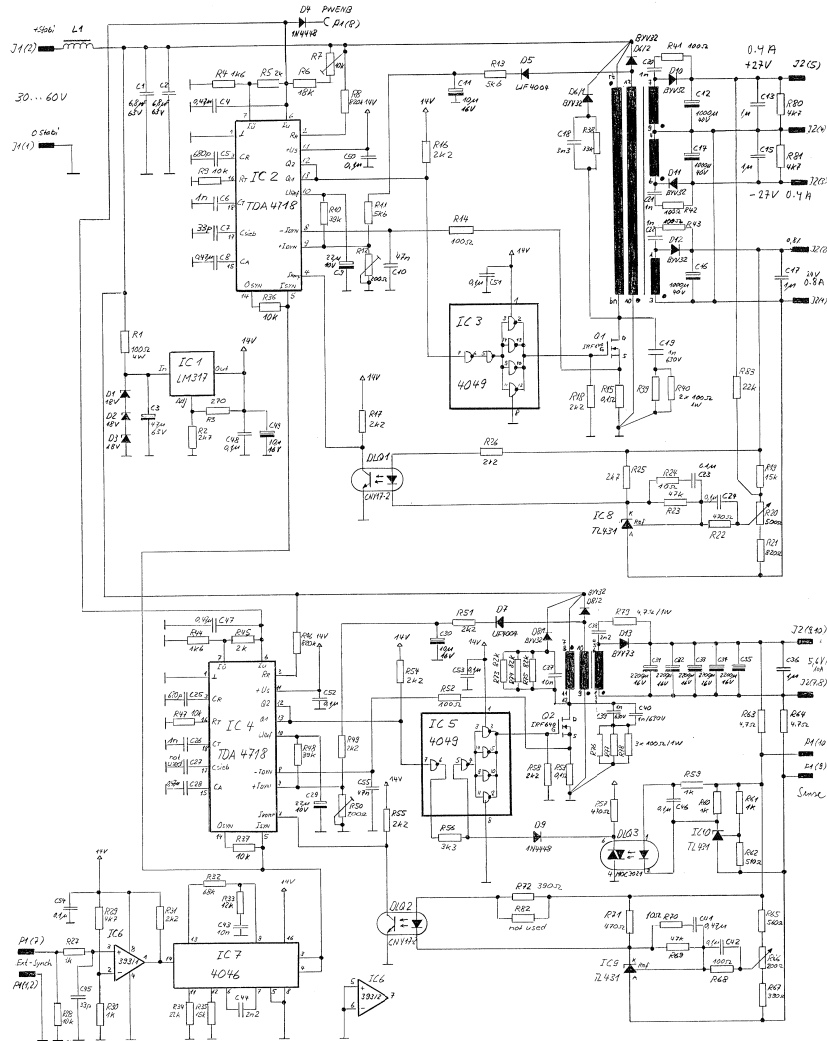
MANUFACTURER: Fc=Fairchild, GI=General Instruments, ITT=Intermetal,
 Mot=Motorola, Nat=National, NS=National Semiconductors,
 Ph=Phillips, See=Secocon, SGS=SGS-Ates, Sie=Siemens,
 Tf=Telefunken, Tho=Thomson

ORIG 90/06/07

BLOCKDIAGRAM STABILIZER AUX, VOLTAGES 1.820.872.82

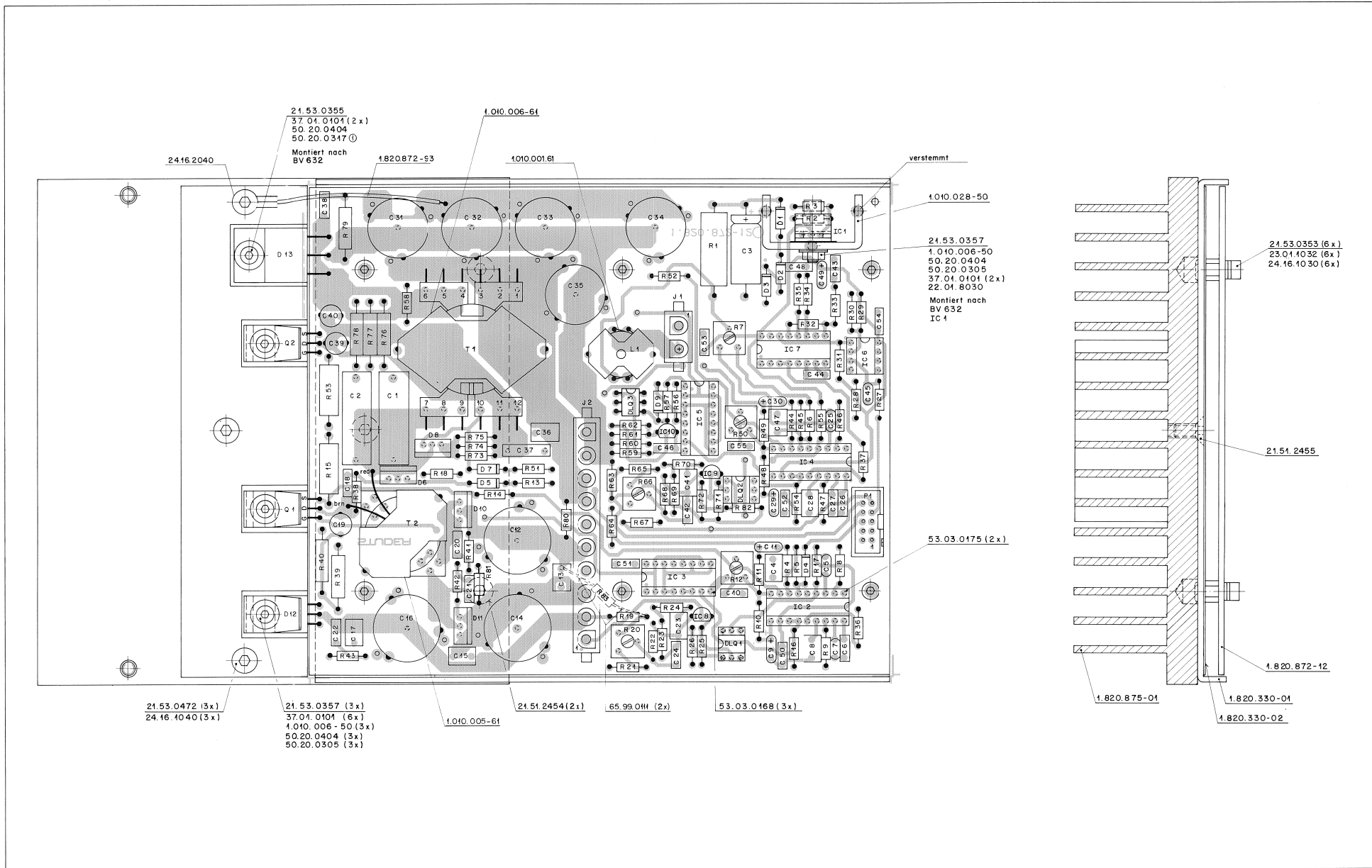


STABILIZER AUX, VOLTAGES 1.820.872.82



102288	TH	102288	TH	102288	TH	102288	TH	102288	TH
STUDER					STABILIZER AUX, VOLTAGES				
PAGE 1 OF 1					1.820.872.82				

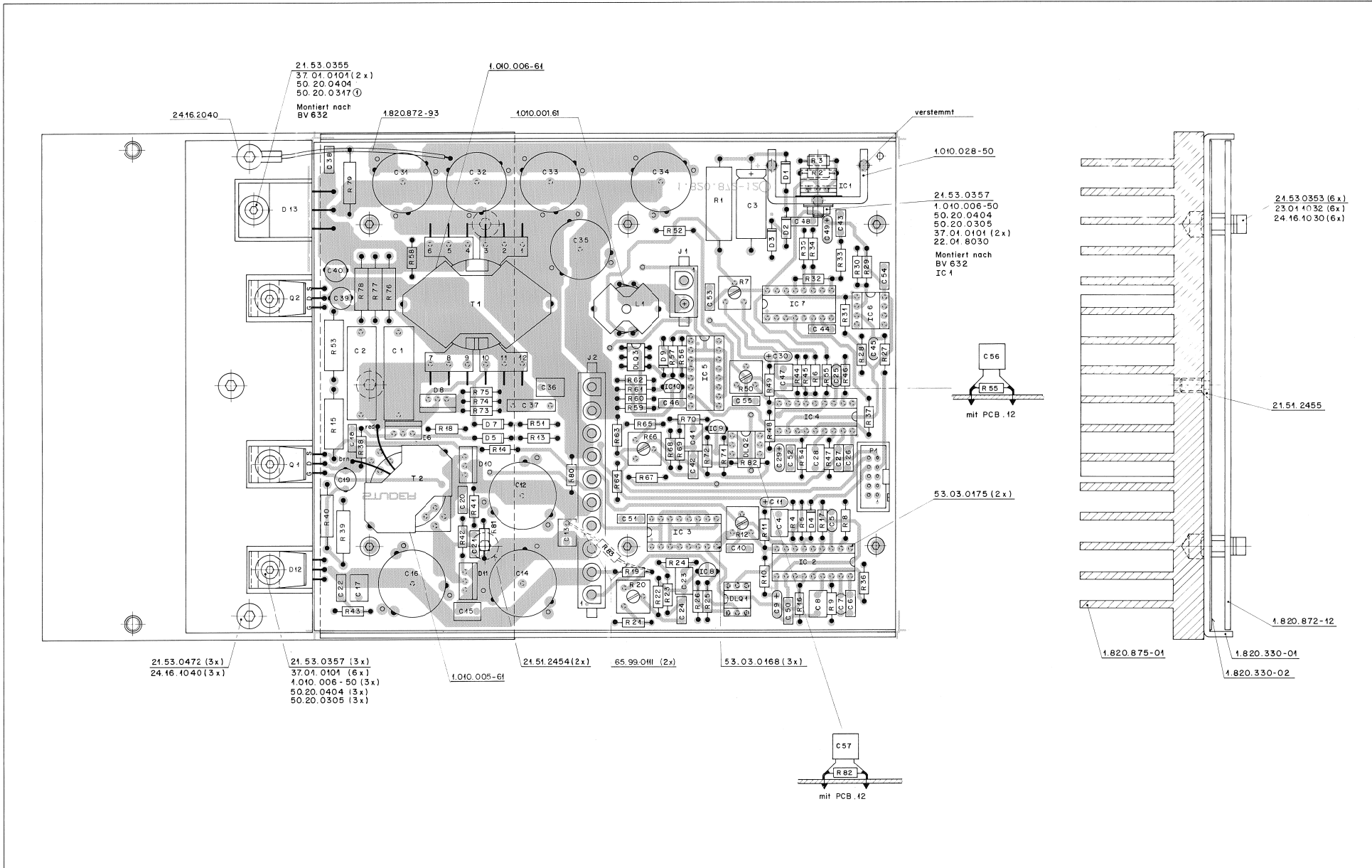
STABILIZER AUX, VOLTAGES 1.820.872.82



STABILIZER AUX, VOLTAGES 1.820.872.82

IND.	POS.NO.	PART NO.	VALUE	SPECIFICATIONS / EQUIVALENT	MANUF.	IND.	POS.NO.	PART NO.	VALUE	SPECIFICATIONS / EQUIVALENT	MANUF.
C....1		59.31.5685	6.8 uF	10%, 63V, MPETP		R....16		57.11.3222	2.2 kOhm	2X	
C....2		59.31.5685	6.8 uF	10%, 63V, MPETP		R....17		57.11.3222	2.2 kOhm	2X	
C....3		59.25.6470	47 uF	20%, 63V, El		R....18		57.11.3222	2.2 kOhm	2X	
C....4		59.06.0474	470 nF	10%, 63V, PETP		R....19		57.11.3153	15 kOhm	2X	
C....5		59.06.0474	470 nF	10%, 63V, PETP		R....20		57.11.3153	15 kOhm	2X	see note 2
C....6		59.06.0102	1 nF	10%, 63V, PETP		R....21		57.11.3821	820 Ohm	2X	
C....7		59.32.1330	33 pF	10%, 400V, KER		R....22		57.11.3471	470 Ohm	2X	
C....8		59.06.0474	470 nF	10%, 63V, PETP		R....23		57.11.3473	47 kOhm	2X	
C....9		59.26.1220	22 uF	20%, 10V, Sal		R....24		57.11.3101	100 Ohm	2X	
C....10		59.06.0473	47 nF	10%, 63V, PETP		R....25		57.11.3272	2.7 kOhm	2X	
C....11		59.26.2100	10 uF	20%, 16V, Sal		R....26		57.11.3222	2.2 kOhm	2X	
C....12		59.28.4102	1000 uF	20%, 40V, El		R....27		57.11.3102	1 kOhm	2X	
C....13		59.06.0103	1 nF	10%, 50V, PETP		R....28		57.11.3103	10 kOhm	2X	
C....14		59.28.4102	1000 uF	20%, 40V, El		R....29		57.11.3472	4.7 kOhm	2X	
C....15		59.06.0105	1 uF	10%, 50V, PETP		R....30		57.11.3102	1 kOhm	2X	
C....16		59.28.4102	1000 uF	20%, 40V, El		R....31		57.11.3222	2.2 kOhm	2X	
C....17		59.06.0105	1 nF	10%, 50V, PETP		R....32		57.11.3683	68 kOhm	2X	
C....18		59.06.0332	3.3 nF	10%, 63V, PETP		R....33		57.11.3123	12 kOhm	2X	
C....19		59.05.2102	1 nF	2.5%, 630V, PP		R....34		57.11.3223	22 kOhm	2X	
C....20		59.06.0102	1 nF	10%, 63V, PETP		R....35		57.11.3153	15 kOhm	2X	
C....21		59.06.0102	1 nF	10%, 63V, PETP		R....36		57.11.3103	10 kOhm	2X	
C....22		59.06.0102	1 nF	10%, 63V, PETP		R....37		57.11.3103	10 kOhm	2X	
C....23		59.06.0104	100 nF	10%, 63V, PETP		R....38		57.11.3933	39 kOhm	2X	
C....24		59.06.0104	100 nF	10%, 63V, PETP		R....39		57.13.4101	100 Ohm	2X	
C....25		59.32.2681	680 pF	10%, 50V, KER		R....40		57.13.4101	100 Ohm	2X	
C....26		59.06.0102	1 nF	10%, 63V, PETP		R....41		57.11.3101	100 Ohm	2X	
C....27				NOT USED		R....42		57.11.3101	100 Ohm	2X	
C....28		59.06.0474	470 nF	10%, 63V, PETP		R....43		57.11.3101	100 Ohm	2X	
C....29		59.26.1220	22 uF	20%, 10V, Sal		R....44		57.11.3162	1.6 kOhm	1X	
C....30		59.26.2100	10 uF	20%, 16V, Sal		R....45		57.11.3202	2 kOhm	1X	
C....31		59.28.2222	2200 uF	20%, 16V, El		R....46		57.11.3824	820 kOhm	2X	
C....32		59.28.2222	2200 uF	20%, 16V, El		R....47		57.11.3103	10 kOhm	2X	
C....33		59.28.2222	2200 uF	20%, 16V, El		R....48		57.11.3393	39 kOhm	2X	
C....34		59.28.2222	2200 uF	20%, 16V, El		R....49		57.11.3222	2.2 kOhm	2X	
C....35		59.28.2222	2200 uF	20%, 16V, El		R....50		58.01.8201	200 Ohm	2X	see note 2
C....36		59.06.0105	1 uF	10%, 50V, PETP		R....51		57.11.3222	2.2 kOhm	2X	
C....37		59.31.7103	10 nF	10%, 160V, PETP		R....52		57.11.3101	100 Ohm	2X	
S T U D E R (01) 88/02/22 BD STABILIZER 5V, AUX VOLTAGES PL 1.820.872.82 PAGE 1						S T U D E R (01) 88/02/22 BD STABILIZER 5V, AUX VOLTAGES PL 1.820.872.82 PAGE 4					
C....38		59.06.0222	2.2 nF	10%, 63V, PETP		R....53		57.56.2050	50 mOhm	5X, 3 W, Low Inductance	
C....39		59.05.2102	1 nF	2.5%, 630V, PP		R....54		57.11.3222	2.2 kOhm	2X	
C....40		59.05.2102	1 nF	2.5%, 630V, PP		R....55		57.11.3222	2.2 kOhm	2X	
C....41		59.06.0474	470 nF	10%, 63V, PETP		R....56		57.11.3332	3.3 kOhm	2X	
C....42		59.06.0104	100 nF	10%, 63V, PETP		R....57		57.11.3823	82 kOhm	2X	
C....43		59.06.0103	10 nF	10%, 63V, PETP		R....58		57.11.3222	2.2 kOhm	2X	
C....44		59.06.0222	2.2 nF	10%, 63V, PETP		R....59		57.11.3102	1 kOhm	2X	
C....45		59.32.1330	33 pF	10%, 400V, KER		R....60		57.11.3102	1 kOhm	2X	
C....46		59.06.0104	100 nF	10%, 63V, PETP		R....61		57.11.3102	1 kOhm	2X	
C....47		59.06.0474	470 nF	10%, 63V, PETP		R....62		57.11.3511	510 Ohm	2X	
C....48		59.26.2100	10 uF	20%, 16V, Sal		R....63		57.11.3473	4.7 Ohm	2X	
C....49		59.26.2100	10 uF	20%, 16V, Sal		R....64		57.11.3479	4.7 Ohm	2X	
C....50		59.06.0104	100 nF	10%, 63V, PETP		R....65		57.11.3561	560 Ohm	2X	
C....51		59.06.0104	100 nF	10%, 63V, PETP		R....66		58.01.8201	200 Ohm	2X	see note 2
C....52		59.06.0104	100 nF	10%, 63V, PETP		R....67		57.11.3391	390 Ohm	2X	
C....53		59.06.0104	100 nF	10%, 63V, PETP		R....68		57.11.3101	100 Ohm	2X	
C....54		59.06.0104	100 nF	10%, 63V, PETP		R....69		57.11.3473	47 kOhm	2X	
C....55		59.06.0473	47 nF	10%, 63V, PETP		R....70		57.11.3100	10 Ohm	2X	
D....1		50.04.1222	18 V Z	BZK 85 C 18	ITT,Mot,Ph,Tf,Tho	R....71		57.11.3471	470 Ohm	2X	
D....2		50.04.1222	18 V Z	BZK 85 C 18	ITT,Mot,Ph,Tf,Tho	R....72		57.11.3391	390 Ohm	2X	
D....3		50.04.1222	18 V Z	BZK 85 C 18	ITT,Mot,Ph,Tf,Tho	R....73		57.11.3823	82 kOhm	2X	
D....4		50.04.0125	1N 4448		Fc,ITT,Ph,See,Tf	R....74		57.11.3823	82 kOhm	2X	
D....5		50.04.0138	UF 4004			R....75		57.11.3823	82 kOhm	2X	
D....6		50.04.0517	BV 32-200		Mot,Ph	R....76		57.13.4101	100 Ohm	2X	
D....7		50.04.0138	UF 4004			R....77		57.13.4101	100 Ohm	2X	
D....8		50.04.0517	BV 32-200		Mot,Ph	R....78		57.13.4101	100 Ohm	2X	
D....9		50.04.0125	1N 4448		Fc,ITT,Ph,See,Tf	R....79		57.13.4479	4.7 Ohm	2X	
D....10		50.04.0517	BV 32-200		Mot,Ph	R....80		57.11.3472	4.7 kOhm	2X	
D....11		50.04.0517	BV 32-200		Mot,Ph	R....81		57.11.3472	4.7 kOhm	2X	
D....12		50.04.0517	BV 32-200		Mot,Ph	R....82				not used	
D....13		50.04.0520	NBR 3045PT	BV 73-45	Mot,Ph	R....83		57.11.3223	22 kOhm	2X	
DLQ...1		50.04.3200	CNY 17-2		Sie	T....1		1.022.291.00		Switching power transformer, 5.6V	St
DLQ...2		50.04.3200	CNY 17-2		Sie	T....2		1.022.292.00		Switching power transformer, AUX	St
DLQ...3		50.04.2139	MCC 3021		Mot						
S T U D E R (01) 88/02/22 BD STABILIZER 5V, AUX VOLTAGES PL 1.820.872.82 PAGE 2						S T U D E R (01) 88/02/22 BD STABILIZER 5V, AUX VOLTAGES PL 1.820.872.82 PAGE 5					
IC....1		50.10.0104	LM 317 SP	...T...KC	Mot,NS,SGS,Tho,TI						
IC....2		50.10.0111	TDA 4718 A	Q 67000 - Y639	Sie						
IC....3		50.07.0049	HEF4049BP	TC 4049 BP	Ph,To						
IC....4		50.10.0111	TDA 4718 A	Q 67000 - Y639	Sie						
IC....5		50.07.0049	HEF4049BP	TC 4049 BP	Ph,To						
IC....6		50.05.0283	LM 393 ..		NS,Tho,TI						
IC....7		50.07.0046	MCL10A4SFP	... 4046 ..	Mot,Ph,RCA						
IC....8		50.10.0106	TL 431 CLP		Mot,TI						
IC....9		50.10.0106	TL 431 CLP		Mot,TI						
IC....10		50.10.0106	TL 431 CLP		Mot,TI						
J....1		54.25.0002	2 cont.	AMP nr. 826946-3							
J....2		54.25.0010	10 cont.	AMP nr. 826852-3							
(00) L....1		1.022.295.00		filter coil	St						
(01) L....1		1.022.295.81		filter coil	St						
P....1		54.14.2001	10 cont.	see note 1							
Q....1		50.03.1510	IPR 640		IR,SIX						
Q....2		50.03.1510	IPR 640		IR,Six						
R....1		57.56.5101	100 Ohm	10X, 4 W							
R....2		57.11.3272	2.7 kOhm	2X							
R....3		57.11.3271	270 Ohm	2X							
R....4		57.11.3152	1.5 kOhm	1X							
R....5		57.11.3202	2 kOhm	1X							
R....6		57.11.3183	18 kOhm	2X							
R....7		58.01.8103	10 kOhm	see note 4							
R....8		57.11.3824	820 kOhm	2X							
R....9		57.11.3103	10 kOhm	2X							
R....10		57.11.3393	39 kOhm	1X							
R....11		57.11.3562	5.6 kOhm	2X							
R....12		58.01.8201	200 Ohm	see note 2							
R....13		57.11.3562	5.6 kOhm	2X							
R....14		57.11.3101	100 Ohm	2X							
R....15		57.56.2050	50 mOhm	5X, 3 W, Low Inductance							
S T U D E R (01) 88/02/22 BD STABILIZER 5V, AUX VOLTAGES PL 1.820.872.82 PAGE 3						S T U D E R (01) 88/02/22 BD STABILIZER 5V, AUX VOLTAGES PL 1.820.872.82 PAGE 6					
						El=Electrolytic, MPETP=Metalized Polyesterfilm, PETP=Polyesterfilm, PP=Polypropylene, Sal=Solid aluminum					
						MANUFACTURER: Fc=Fairchild, ITT=Internatell, IR=International Rectifier, Mot=Motorola, NS=National Semicon					

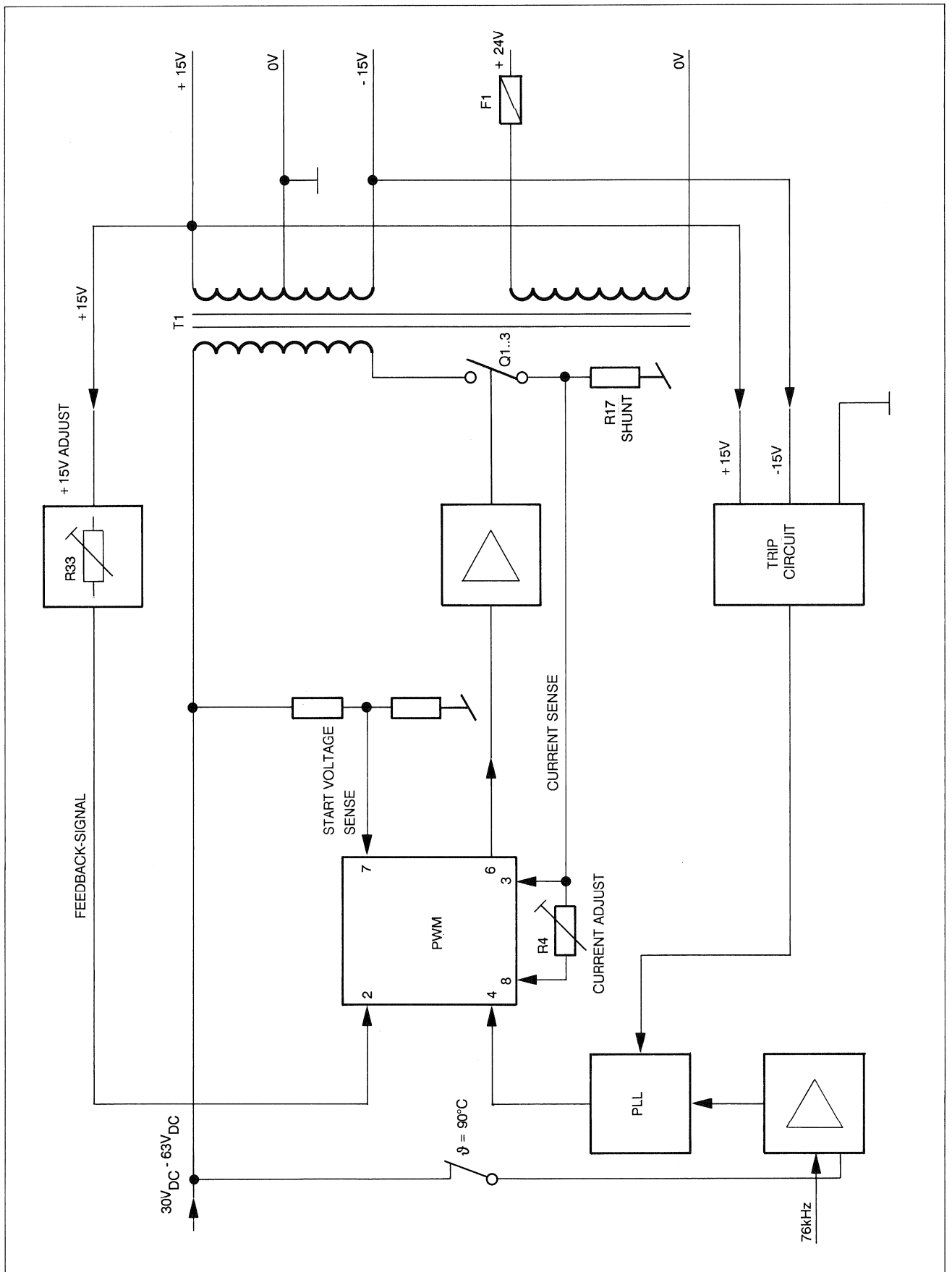
STABILIZER AUX, VOLTAGES 1.820.872.83



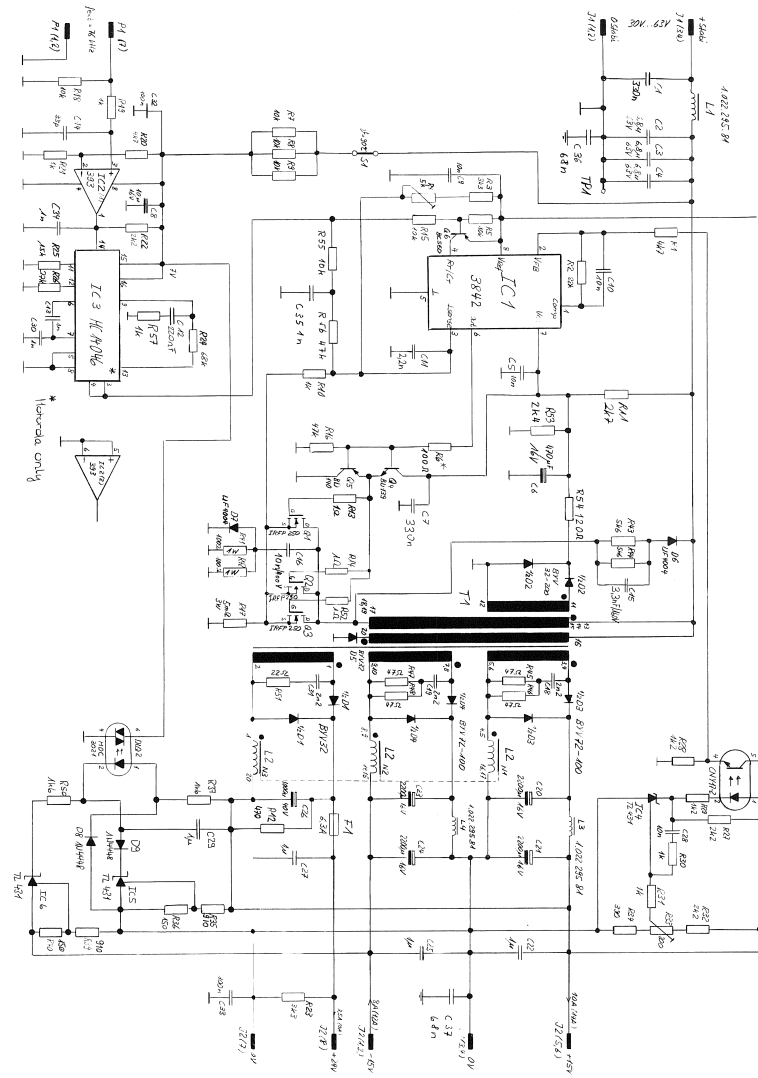
STABILIZER AUX, VOLTAGES 1.820.872.83

IND.	POS.NO.	PART NO.	VALUE	SPECIFICATIONS / EQUIVALENT	MANUF.	IND.	POS.NO.	PART NO.	VALUE	SPECIFICATIONS / EQUIVALENT	MANUF.
C....1	59.31.5685	6.8 uF	10X, 63V	MPETP		R....15	57.56.2050	50 Ohm	5X, 3 W, Low Inductance		
C....2	59.31.5685	6.8 uF	10X, 63V	MPETP		R....16	57.11.3222	2.2 kOhm	2X		
C....3	59.25.6470	47 uF	20X, 63V	E1		R....17	57.11.3222	2.2 kOhm	2X		
C....4	59.06.0474	470 nF	10X, 63V	PETP		R....18	57.11.3222	2.2 kOhm	2X		
C....5	59.32.2681	680 pF	10X, 50V	KER		R....19	57.11.3153	15 kOhm	2X		
C....6	59.06.0102	1 nF	10X, 63V	PETP		R....20	58.01.8501	500 Ohm	see note 2		
C....7	59.32.1330	33 pF	10X, 400V	KER		R....21	57.11.3821	820 Ohm	2X		
C....8	59.06.0474	470 nF	10X, 50V	PETP		R....22	57.11.3471	470 Ohm	2X		
C....9	59.26.1220	22 uF	20X, 10V	Sal		R....23	57.11.3473	47 kOhm	2X		
C....10	59.06.0473	47 nF	10X, 63V	PETP		R....24	57.11.3101	100 Ohm	2X		
C....11	59.26.2100	10 uF	20X, 16V	Sal		R....25	57.11.3272	2.7 kOhm	2X		
C....12	59.28.4102	1000 uF	20X, 40V	E1		R....26	57.11.3222	2.2 kOhm	2X		
C....13	59.06.0105	1 uF	10X, 50V	PETP		R....27	57.11.3102	1 kOhm	2X		
C....14	59.28.4102	1000 uF	20X, 40V	E1		R....28	57.11.3103	10 kOhm	2X		
C....15	59.06.0105	1 uF	10X, 50V	PETP		R....29	57.11.3472	4.7 kOhm	2X		
C....16	59.28.4102	1000 uF	20X, 40V	E1		R....30	57.11.3102	1 kOhm	2X		
C....17	59.06.0105	1 uF	10X, 50V	PETP		R....31	57.11.3222	2.2 kOhm	2X		
C....18	59.06.0332	3.3 nF	10X, 63V	PETP		R....32	57.11.3683	68 kOhm	2X		
C....19	59.05.2102	1 nF	2.5X, 630V	PP		R....33	57.11.3123	12 kOhm	2X		
C....20	59.06.0102	1 nF	10X, 63V	PETP		R....34	57.11.3223	22 kOhm	2X		
C....21	59.06.0102	1 nF	10X, 63V	PETP		R....35	57.11.3153	15 kOhm	2X		
C....22	59.06.0102	1 nF	10X, 63V	PETP		R....36	57.11.3103	10 kOhm	2X		
C....23	59.06.0104	100 nF	10X, 63V	PETP		R....37	57.11.3103	10 kOhm	2X		
C....24	59.06.0104	100 nF	10X, 63V	PETP		R....38	57.11.3333	33 kOhm	2X		
C....25	59.32.2681	680 pF	10X, 50V	KER		R....39	57.13.4101	100 Ohm	2X		
C....26	59.06.0102	1 nF	10X, 63V	PETP		R....40	57.13.4101	100 Ohm	2X		
C....27				NOT USED		R....41	57.11.3101	100 Ohm	2X		
C....28	59.06.0474	470 nF	10X, 63V	PETP		R....42	57.11.3101	100 Ohm	2X		
C....29	59.26.1220	22 uF	20X, 10V	Sal		R....43	57.11.3101	100 Ohm	2X		
C....30	59.26.2100	10 uF	20X, 16V	Sal		R....44	57.11.3162	1.6 kOhm	1X		
C....31	59.28.2222	2200 uF	20X, 16V	E1		R....45	57.11.3202	2 kOhm	2X		
C....32	59.28.2222	2200 uF	20X, 16V	E1		R....46	57.11.3824	820 kOhm	2X		
C....33	59.28.2222	2200 uF	20X, 16V	E1		R....47	57.11.3103	10 kOhm	2X		
C....34	59.28.2222	2200 uF	20X, 16V	E1		R....48	57.11.3393	39 kOhm	2X		
C....35	59.28.2222	2200 uF	20X, 16V	E1		R....49	57.11.3222	2.2 kOhm	2X		
C....36	59.06.0105	1 uF	10X, 50V	PETP		R....50	58.01.8201	200 Ohm	see note 2		
C....37	59.31.7103	10 nF	10X, 160V	PETP		R....51	57.11.3222	2.2 kOhm	2X		
S T U D E R (00) 90/02/12 AST STABILIZER 5V, AUX VOLTAGES PL 1.820.872.83 PAGE 1						S T U D E R (00) 90/02/12 AST STABILIZER 5V, AUX VOLTAGES PL 1.820.872.83 PAGE 4					
C....38	59.06.0222	2.2 nF	10X, 63V	PETP		R....52	57.11.3101	100 Ohm	2X		
C....39	59.05.2102	1 nF	2.5X, 630V	PP		R....53	57.56.2050	50 mOhm	5X, 3 W, Low Inductance		
C....40	59.05.2102	1 nF	2.5X, 630V	PP		R....54	57.11.3222	2.2 kOhm	2X		
C....41	59.06.0474	470 nF	10X, 63V	PETP		R....55	57.11.3222	2.2 kOhm	2X		
C....42	59.06.0104	100 nF	10X, 63V	PETP		R....56	57.11.3332	3.3 kOhm	2X		
C....43	59.06.0103	10 nF	10X, 63V	PETP		R....57	57.11.3823	82 kOhm	2X		
C....44	59.06.0222	2.2 nF	10X, 63V	PETP		R....58	57.11.3222	2.2 kOhm	2X		
C....45	59.32.1330	33 pF	10X, 400V	KER		R....59	57.11.3102	1 kOhm	2X		
C....46	59.06.0104	100 nF	10X, 63V	PETP		R....60	57.11.3102	1 kOhm	2X		
C....47	59.06.0474	470 nF	10X, 63V	PETP		R....61	57.11.3102	100 Ohm	2X		
C....48	59.06.0104	100 nF	10X, 63V	PETP		R....62	57.11.3511	510 Ohm	2X		
C....49	59.26.2100	10 uF	20X, 16V	Sal		R....63	57.11.3479	4.7 Ohm	2X		
C....50	59.06.0104	100 nF	10X, 63V	PETP		R....64	57.11.3479	4.7 Ohm	2X		
C....51	59.06.0104	100 nF	10X, 63V	PETP		R....65	57.11.3561	560 Ohm	2X		
C....52	59.06.0104	100 nF	10X, 63V	PETP		R....66	58.01.8201	200 Ohm	see note 2		
C....53	59.06.0104	100 nF	10X, 63V	PETP		R....67	57.11.3391	390 Ohm	2X		
C....54	59.06.0104	100 nF	10X, 63V	PETP		R....68	57.11.3101	100 Ohm	2X		
C....55	59.06.0473	47 nF	10X, 63V	PETP		R....69	57.11.3473	47 kOhm	2X		
C....56	59.40.0474	470 nF	10X, 63V	PETP		R....70	57.11.3100	10 Ohm	2X		
C....57	59.40.0105	1 uF	10X, 63V	PETP		R....71	57.11.3471	470 Ohm	2X		
D....1	50.04.1222	18 V Z	BZX 85 C 18	ITT,Mot,Ph,Tf,Tho		R....72	57.11.3391	390 Ohm	2X		
D....2	50.04.1222	18 V Z	BZX 85 C 18	ITT,Mot,Ph,Tf,Tho		R....73	57.11.3823	82 kOhm	2X		
D....3	50.04.1222	18 V Z	BZX 85 C 18	ITT,Mot,Ph,Tf,Tho		R....74	57.11.3823	82 kOhm	2X		
D....4	50.04.0125	1M 444B		Fe,ITT,Ph,See,Tf		R....75	57.11.3823	82 kOhm	2X		
D....5	50.04.0138	UF 4004		Fe,ITT,Ph,See,Tf		R....76	57.13.4101	100 Ohm	2X		
D....6	50.04.0517	BYV 32-200		Mot,Ph		R....77	57.13.4101	100 Ohm	2X		
D....7	50.04.0138	UF 4004		Mot,Ph		R....78	57.13.4101	100 Ohm	2X		
D....8	50.04.0517	BYV 32-200		Mot,Ph		R....79	57.13.4479	4.7 Ohm	2X		
D....9	50.04.0125	1M 444B		Fe,ITT,Ph,See,Tf		R....80	57.11.3472	4.7 kOhm	2X		
D....10	50.04.0517	BYV 32-200		Mot,Ph		R....81	57.11.3472	4.7 kOhm	2X		
D....11	50.04.0517	BYV 32-200		Mot,Ph		R....82	57.11.3201	200 Ohm	2X		
D....12	50.04.0517	BYV 32-200		Mot,Ph		R....83	57.11.3223	22 kOhm	2X		
D....13	50.04.0520	MBR 304SPT	BYV 73-45	Mot,Ph		T....1	1.022.291.00		Switching power transformer, 5.6V	St	
DLQ...1	50.04.3200	CNY 17-2		Sie		T....2	1.022.292.00		Switching power transformer, AUX	St	
DLQ...2	50.04.3200	CNY 17-2		Sie		S T U D E R (00) 90/02/12 AST STABILIZER 5V, AUX VOLTAGES PL 1.820.872.83 PAGE 5					
DLQ...3	50.04.2139	NOC 3021		Mot		S T U D E R (00) 90/02/12 AST STABILIZER 5V, AUX VOLTAGES PL 1.820.872.83 PAGE 6					
IC....1	50.10.0104	LM 317 SP	...T...KC	Met,NS,SGS,Tho,TI		Note 1 - Connector, 10 contacts with Interlock: Siemens nr. V 2935S - A2700 - A102 Thomast Betts 501 - 1027 - E5					
IC....2	50.10.0111	TDA 4718 A	Q 67000 - Y639	Ph,Se		Note 2 - Potentiometer, 200 Ohm: Bourns nr. 3386 F-1-201 A. Bradley nr. E 2 B 201 Spectral nr. 63 M 201 T 010 Murata nr. POT 3104 F-1-201					
IC....3	50.07.0049	HEF4049BF	TC 4049 BP	Ph,Se		Note 3 - Potentiometer, 2 kOhm: Bourns nr. 3386 F-1-202 A. Bradley nr. E 2 B 202 Spectral nr. 63 M 202 T 010 Murata nr. POT 3104 F-1-202					
IC....4	50.10.0111	TDA 4718 A	Q 67000 - Y639	Ph,Se		Note 4 - Potentiometer, 10 kOhm: Bourns nr. 3386 F-1-103 A. Bradley nr. E 2 B 103 Spectral nr. 63 M 103 T 010 Murata nr. POT 3104 F-1-103					
IC....5	50.07.0049	HEF4049BP	TC 4049 BP	NS,Tho,TI		El=Electrolytic, MPETP=Metalized Polyesterfilm, PETP=Polyesterfilm, PP=Polypropylene, Sal=Solid aluminium					
IC....6	50.05.0283	LM 293 4046 ..	Met,Ph,RCA		MANUFACTURER: Fe=Fairchild, ITT=Intermetall, IR=International Rectifier, Mot=Motorola, NS=National Semiconductor, Ph=Phillips, RCA=RCA Corp. of America, See=Seecore, SGS=SGS/Atecs, Sie=Siemens, Sixe=Siliconix, St=Studer, Tf=Telefunken, Tho=Thomson CSP, TI=Texas Instruments, To=Toshiba, GI=General Instruments.					
IC....7	50.07.0046	MCI4046BFC		Met,Ph,RCA		ORIG 90/02/12					
IC....8	50.10.0106	TL 431 CLP		Met,TI		S T U D E R (00) 90/02/12 AST STABILIZER 5V, AUX VOLTAGES PL 1.820.872.83 PAGE 3					
IC....9	50.10.0106	TL 431 CLP		Met,TI		S T U D E R (00) 90/02/12 AST STABILIZER 5V, AUX VOLTAGES PL 1.820.872.83 PAGE 6					
J....1	54.25.0002	2 cont.	AMP nr. 826846-3								
J....2	54.25.0010	10 cont.	AMP nr. 826852-3								
L....1	1.022.295.81		filter coil		St						
P....1	54.14.2101	10 cont.	see note 1								
Q....1	50.03.1510	IFR 640		IR,SIX							
Q....2	50.03.1510	IFR 640		IR,SIX							
R....1	57.56.5101	100 Ohm	10X, 4 W								
R....2	57.11.3272	2.7 kOhm	2X								
R....3	57.11.3271	270 Ohm	2X								
R....4	57.11.3162	1.6 kOhm	1X								
R....5	57.11.3202	2 kOhm	1X								
R....6	57.11.3183	18 Ohm	2X								
R....7	58.01.8103	10 kOhm	see note 4								
R....8	57.11.3824	820 kOhm	2X								
R....9	57.11.3103	10 kOhm	2X								
R....10	57.11.3393	39 kOhm	1X								
R....11	57.11.3562	5.6 kOhm	2X								
R....12	58.01.8501	200 Ohm	see note 2								
R....13	57.11.3562	5.6 kOhm	2X								
R....14	57.11.3101	100 Ohm	2X								

BLOCKDIAGRAM STABILIZER +15V; -15V; +24V 1.820.873.82



STABILIZER +/-15V 1.820.873.82

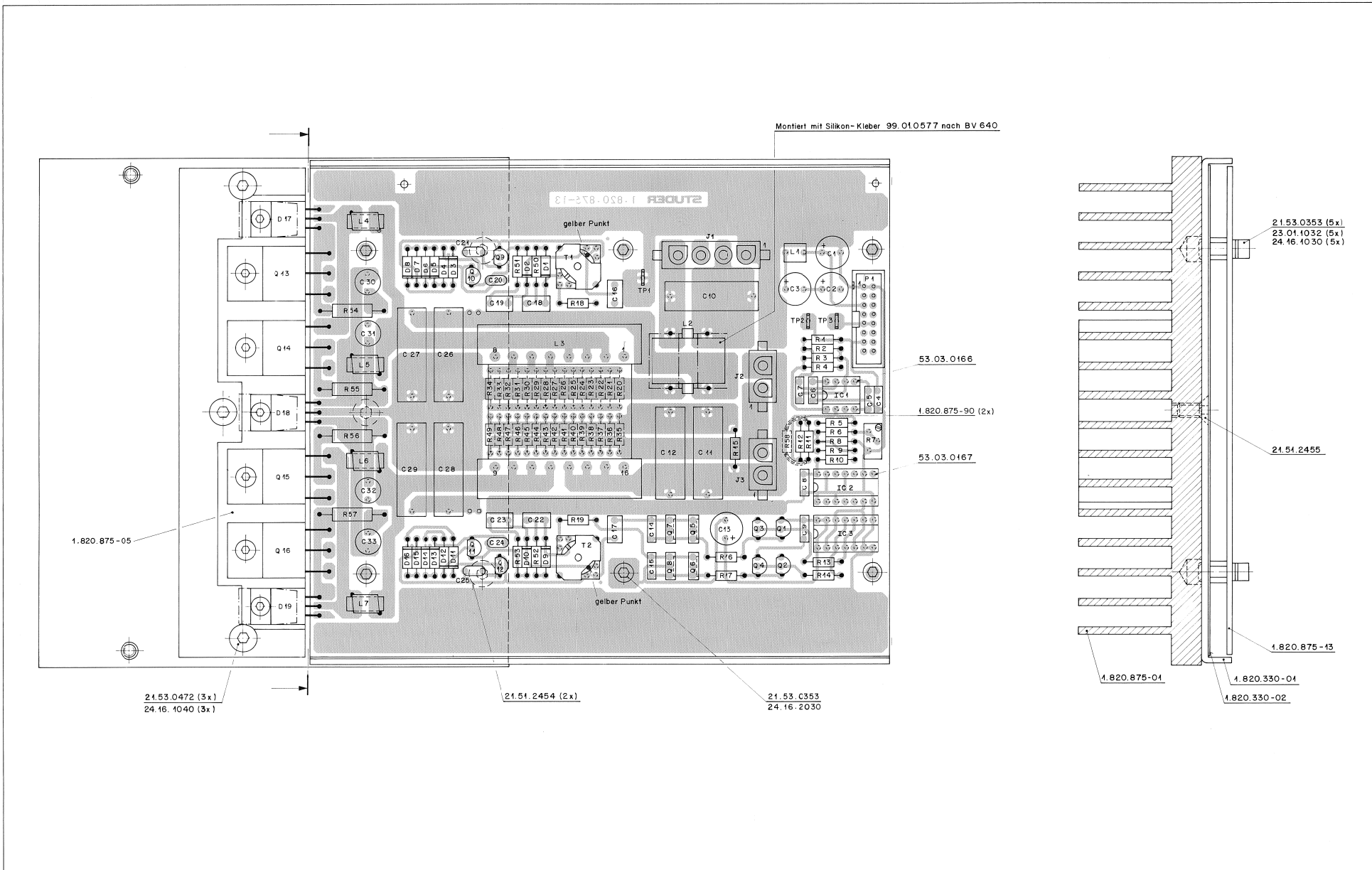


0	5.3.90	M ₇			
STUDER	Stabilizer +/-15V - 20V		1.820.873.82	PAGE	1 OF 1

STABILIZER +/-15V 1.820.873.82

IND.	POS.NO.	PART NO.	VALUE	SPECIFICATIONS / EQUIVALENT	MANUF.	IND.	POS.NO.	PART NO.	VALUE	SPECIFICATIONS / EQUIVALENT	MANUF.
C....1		59.06.0334	330 nF	10%, 63V, PETP		R....35		57.11.3911	910 Ohm	1X	
C....2		59.31.5685	6.8 uF	10%, 63V, MPETP		R....36		57.11.3151	150 Ohm	1X	
C....3		59.31.5685	6.8 uF	10%, 63V, MPETP		R....37		57.11.3162	1.6 kOhm	1X	
C....4		59.31.5685	6.8 uF	10%, 63V, MPETP		R....38				not used	
C....5		59.06.0103	10 nF	10%, 63V, PETP		R....39		57.11.3911	910 Ohm	1X	
C....6		59.22.4471	470 uF	20%, 16V, EL		R....40		57.11.3151	150 Ohm	1X	
C....7		59.06.0334	330 nF	10%, 63V, PETP		R....41		57.13.4101	100 Ohm	2X	
C....8		59.26.2100	10 uF	20%, 16V, Sal		R....42		57.13.4101	100 Ohm	2X	
C....9		59.06.0103	10 nF	10%, 63V, PETP		R....43		57.11.3562	5.6 kOhm	1X	
C....10		59.06.0103	10 nF	10%, 63V, PETP		R....44		57.11.3562	5.6 kOhm	1X	
C....11		59.06.0222	2.2 nF	10%, 63V, PETP		R....45		57.11.3470	47 Ohm	1X	
C....12		59.06.0224	220 nF	10%, 63V, PETP		R....46		57.11.3470	47 Ohm	1X	
C....13		59.06.0102	1 nF	10%, 63V, PETP		R....47		57.11.3470	47 Ohm	1X	
C....14		59.34.2330	33 pF	5%, 1850, Cer		R....48		57.11.3470	47 Ohm	1X	
C....15		59.05.2332	3 nF	2.5%, 160V, PP		R....49				not used	
C....16		59.05.6103	10 nF	10%, 400V, MPP		R....50		57.11.3162	1.6 kOhm	1X	
C....17			not used			R....51		57.11.3220	22 Ohm	1X	
C....18		59.06.0222	2.2 nF	10%, 63V, PETP		R....52		57.11.3109	1 Ohm	1X	
C....19		59.06.0222	2.2 nF	10%, 63V, PETP		R....53		57.11.3242	2.4 kOhm	1X	
C....20		59.28.2222	2200 uF	10%, 63V, PETP		R....54		57.11.3121	120 Ohm	1X	
C....21		59.28.2222	2200 uF	10%, 16V, PETP		R....55		57.11.3103	10 kOhm	1X	
C....22		59.06.0105	1 uF	10%, 50V, PETP		R....56		57.11.3473	47 kOhm	1X	
C....23		59.28.2222	2200 uF	20%, 16V, El		R....57		57.11.3102	1 kOhm	1X	
C....24		59.28.2222	2200 uF	20%, 16V, El		S....1		55.19.0005		Thermo switch, Tokin nr. OHD 3 - 90 BU	
C....25		59.06.0105	1 uF	10%, 50V, PETP		T....1		1.022.299.00		Switching Power Transformer 2 * 15 V	St
C....26		59.28.4102	1000 uF	20%, 40V, El		TP....1		54.02.0320		Test Point	
C....27		59.06.0105	1 uF	10%, 50V, PETP							
C....28		59.06.0103	10 nF	10%, 63V, PETP							
C....29		59.06.0105	1 uF	10%, 50V, PETP							
C....30		59.06.0102	1 nF	10%, 63V, PETP							
C....31		59.06.0222	2.2 nF	10%, 63V, PETP							
C....32		59.06.0104	100 nF	10%, 63V, PETP							
C....33		59.06.0104	100 nF	10%, 63V, PETP							
C....34		59.32.4102	1 nF	20%, 50V, Cer							
C....35		59.06.0102	1 nF	10%, 63V, PETP							
C....36		59.99.0246	68 nF	-20%, 63V, Cer							
C....37		59.99.0246	68 nF	-20%, 63V, Cer							
S T U D E R (00) 90/03/05 AST STABILIZER +15V, -15V, PL 1.820.873.82 PAGE 1						S T U D E R (00) 90/03/05 AST STABILIZER +15V, -15V, PL 1.820.873.82 PAGE 4					
IND.	POS.NO.	PART NO.	VALUE	SPECIFICATIONS / EQUIVALENT	MANUF.	IND.	POS.NO.	PART NO.	VALUE	SPECIFICATIONS / EQUIVALENT	MANUF.
D....1		50.04.0517	BYV 32-200		Ph, Mot						
D....2		50.04.0517	BYV 32-200		Ph, Mot	Note 1 - Connector, 10 contacts:				Yamaichi nr. FAF-10-08-40 5S	
D....3		50.04.0522	BYV72-100	BYW99P-100	Tho, Ph, Mot	Burndy nr. BPH 9 B 10 B 00 GS				7610-6002 VZ	
D....4		50.04.0522	BYV72-100	BYW99P-100	Tho, Ph, Mot	3M nr.					
D....5		50.04.0517	BYV 32-200		Ph, Mot						
D....6		50.04.0138	UF 4004	BYN 01-400		Note 2 - Potentiometer, 5 kOhm:				Bourne nr. 3386 F-1-502	
D....7		50.04.0138	UF 4004	BYN 01-400		A. Bradley nr. E 2 B 502					
D....8		50.04.0125	1 N 4448		Fo,ITT,Ph,SES,Tf	Spectrol nr. 63 M 502 T 010					
D....9		50.04.0125	1 N 4448		Fo,ITT,Ph,SES,Tf	Murata nr. POT 3104 F-1-502					
DLQ...1		50.04.3200	CNY17-2		St	NOTE 3 - Potentiometer, 200 Ohm:				Bourne nr. 3386 F-1-201	
DLQ...2		50.04.2139	MOC 3021		Mot	A. Bradley nr. E 2 B 201					
F....1		51.01.0125	Fuse 6.3A			Spectrol nr. 63 M 201 T 010					
IC....1		50.10.0114	IP 3842M		Un,SGS	Murata nr. POT 3104 F-1-201					
IC....2		50.05.0283	LW 393								
IC....3		50.07.1046	MC 14046BE		Mot Only						
IC....4		50.10.0106	TL 431 CL	F	Mot,TI						
IC....5		50.10.0106	TL 431 CL	F	Mot,TI						
IC....6		50.10.0106	TL 431 CL	F	Mot,TI						
J....1		54.25.0004	4 cont.	AMP nr. 826848-3 or 826848-1		MANUFACTURER: F=Fairchild, ITT=Internatell, IR=International Rectifier,					
J....2		54.25.0008	6 cont.	AMP nr. 826851-3		Mot=Motorola, NS=National Semiconductors, Ph=Phillips,					
L....1		1.022.295.81		Filter coil	St	RCA=RCA Corp. of America, Ses=Seacosen, SGS=SGS/Ates,					
L....2		1.022.606.00		CHORE +15V/-15V	St	Sie=Siemens, Silx=Siliconix, St=Studer, Tf=Telefun,					
L....3		1.022.295.81		Filter coil	St	Tho=Thomson CSF, TI=Texas Instruments, To=Toshiba,					
L....4		1.022.295.81		Filter coil	St	GI=General Instruments, Un=Unitorde.					
L....5			not used								
P....1		54.14.2001	10 cont.	see note 1							
Q....1		50.03.1612	IRF P250		IR						
Q....2		50.03.1612	IRF P250		IR						
Q....3		50.03.1612	IRF P250		IR						
Q....4		50.03.0451	BD 139		any	ORIG 90/03/05					
S T U D E R (00) 90/03/05 AST STABILIZER +15V, -15V, PL 1.820.873.82 PAGE 2						S T U D E R (00) 90/03/05 AST STABILIZER +15V, -15V, PL 1.820.873.82 PAGE 5					
IND.	POS.NO.	PART NO.	VALUE	SPECIFICATIONS / EQUIVALENT	MANUF.	IND.	POS.NO.	PART NO.	VALUE	SPECIFICATIONS / EQUIVALENT	MANUF.
Q....5		50.03.0452	BD 140		any						
Q....6		50.03.0496	BC 560		any						
R....1		57.11.3472	4.7 kOhm	1X							
R....2		57.11.3223	22 kOhm	1X							
R....3		57.11.3332	3.3 kOhm	1X							
R....4		56.01.8502	3 kOhm	see note 2							
R....5		57.11.3103	10 kOhm	1X							
R....6		57.11.3101	100 Ohm	1X							
R....7		57.11.3103	10 kOhm	1X							
R....8		57.11.3103	10 kOhm	1X							
R....9		57.11.3103	10 kOhm	1X							
R....10		57.11.3102	1 kOhm	1X							
R....11		57.11.3272	2.7 kOhm	1X							
R....12		57.11.3471	470 Ohm	1X							
R....13		57.11.3109	1 Ohm	1X							
R....14		57.11.3109	1 Ohm	1X							
R....15		57.11.3103	10 kOhm	1X							
R....16		57.11.3473	47 kOhm	1X							
R....17		57.56.2005	5 mOhm	5%, 3 W, Low Inductance							
R....18		57.11.3103	10 kOhm	1X							
R....19		57.11.3102	1 kOhm	1X							
R....20		57.11.3472	4.7 kOhm	1X							
R....21		57.11.3102	1 kOhm	1X							
R....22		57.11.3222	2.2 kOhm	1X							
R....23		57.11.3332	3.3 kOhm	1X							
R....24		57.11.3683	68 kOhm	1X							
R....25		57.11.3153	15 kOhm	1X							
R....26		57.11.3273	27 kOhm	1X							
R....27		57.11.3222	2.2 kOhm	1X							
R....28		57.11.3122	1.2 kOhm	1X							
R....29		57.11.3122	1.2 kOhm	1X							
R....30		57.11.3102	1 kOhm	1X							
R....31		57.11.3102	1 kOhm	1X							
R....32		57.11.3222	2.2 kOhm	1X							
R....33		58.01.3201	200 Ohm	see note 3							
R....34		57.11.3391	390 Ohm	1X							
S T U D E R (00) 90/03/05 AST STABILIZER +15V, -15V, PL 1.820.873.82 PAGE 3											

SPOOLING MOTOR DRIVE AMPLIFIER 1.820.875.82



SPOOLING MOTOR DRIVE AMPLIFIER 1.820.875.82

IND.	POS.NO.	PART NO.	VALUE	SPECIFICATIONS / EQUIVALENT	MANUF.	IND.	POS.NO.	PART NO.	VALUE	SPECIFICATIONS / EQUIVALENT	MANUF.
C.....1	59.22.5101	100 uF	20X, 25V, EL			R....19	57.11.3100	10 Ohm	5X		
C.....2	59.22.5101	100 uF	20X, 25V, EL			R....20	57.11.3159	1.5 Ohm	1X		
C.....3	59.22.5101	100 uF	20X, 25V, EL			R....21	57.11.3159	1.5 Ohm	1X		
C.....4	59.06.0268	90 nF	10X, 63V, PETF			R....22	57.11.3159	1.5 Ohm	1X		
C.....5	59.06.0683	68 nF	10X, 63V, PETF			R....23	57.11.3159	1.5 Ohm	1X		
C.....6	59.06.0683	68 nF	10X, 63V, PETF			R....24	57.11.3159	1.5 Ohm	1X		
C.....7	59.06.0152	1.5 nF	10X, 63V, PETF			R....25	57.11.3159	1.5 Ohm	1X		
C.....8	59.06.0683	68 nF	10X, 63V, PETF			R....26	57.11.3159	1.5 Ohm	1X		
C.....9	59.06.0683	68 nF	10X, 63V, PETF			R....27	57.11.3159	1.5 Ohm	1X		
C.....10	59.99.0268	6.8 uF	10X, 63V, PETF			R....28	57.11.3159	1.5 Ohm	1X		
C.....11	59.99.0268	6.8 uF	10X, 63V, PETF			R....29	57.11.3159	1.5 Ohm	1X		
C.....12	59.99.0268	6.8 uF	10X, 63V, PETF			R....30	57.11.3159	1.5 Ohm	1X		
C.....13	59.22.5101	100 uF	20X, 25V, EL			R....31	57.11.3159	1.5 Ohm	1X		
C.....14	59.06.0103	10 nF	10X, 63V, PETF			R....32	57.11.3159	1.5 Ohm	1X		
C.....15	59.06.0103	10 nF	10X, 63V, PETF			R....33	57.11.3159	1.5 Ohm	1X		
C.....16	59.06.0334	330 nF	10X, 63V, PETF			R....34	57.11.3159	1.5 Ohm	1X		
C.....17	59.06.0334	330 nF	10X, 63V, PETF			R....35	57.11.3159	1.5 Ohm	1X		
C.....18	59.06.0334	330 nF	10X, 63V, PETF			R....36	57.11.3159	1.5 Ohm	1X		
C.....19	59.06.0334	330 nF	10X, 63V, PETF			R....37	57.11.3159	1.5 Ohm	1X		
C.....20	59.34.2470	47 pF	5X, N150, CER			R....38	57.11.3159	1.5 Ohm	1X		
C.....21	59.34.2470	47 pF	5X, N150, CER			R....39	57.11.3159	1.5 Ohm	1X		
C.....22	59.06.0334	330 nF	10X, 63V, PETF			R....40	57.11.3159	1.5 Ohm	1X		
C.....23	59.06.0334	330 nF	10X, 63V, PETF			R....41	57.11.3159	1.5 Ohm	1X		
C.....24	59.34.2470	47 pF	5X, N150, CER			R....42	57.11.3159	1.5 Ohm	1X		
C.....25	59.34.2470	47 pF	5X, N150, CER			R....43	57.11.3159	1.5 Ohm	1X		
C.....26	59.99.0268	6.8 uF	10X, 63V, PETF			R....44	57.11.3159	1.5 Ohm	1X		
C.....27	59.99.0268	6.8 uF	10X, 63V, PETF			R....45	57.11.3159	1.5 Ohm	1X		
C.....28	59.99.0268	6.8 uF	10X, 63V, PETF			R....46	57.11.3159	1.5 Ohm	1X		
C.....29	59.99.0268	6.8 uF	10X, 63V, PETF			R....47	57.11.3159	1.5 Ohm	1X		
C.....30	59.47.2332	3.3 nF	5X, 160V, PP			R....48	57.11.3159	1.5 Ohm	1X		
C.....31	59.47.2332	3.3 nF	5X, 160V, PP			R....49	57.11.3105	1.0 MOhm	5X		
C.....32	59.47.2332	3.3 nF	5X, 160V, PP			R....50	57.11.3105	1.0 MOhm	5X		
C.....33	59.47.2332	3.3 nF	5X, 160V, PP			R....51	57.11.3105	1.0 MOhm	5X		
D.....1	50.04.0125	1M 444B		Fc,ITT,Ph,Seas,Tf		R....52	57.11.3105	1.0 MOhm	5X		
D.....2	50.04.0125	1M 444B		Fc,ITT,Ph,Seas,Tf		R....53	57.11.3105	1.0 MOhm	5X		
D.....3	50.04.0125	1M 444B		Fc,ITT,Ph,Seas,Tf		R....54	57.13.4229	2.2 Ohm	5X		
D.....3	50.04.0125	1M 444B		Fc,ITT,Ph,Seas,Tf		R....55	57.13.4229	2.2 Ohm	5X		

S T U D E R (01) 89/02/27 PZ SPOOLING MOTOR DRIVE AMPLIFIER PL 1.820.875.82 PAGE 1 S T U D E R (01) 89/02/27 PZ SPOOLING MOTOR DRIVE AMPLIFIER PL 1.820.875.82 PAGE 4

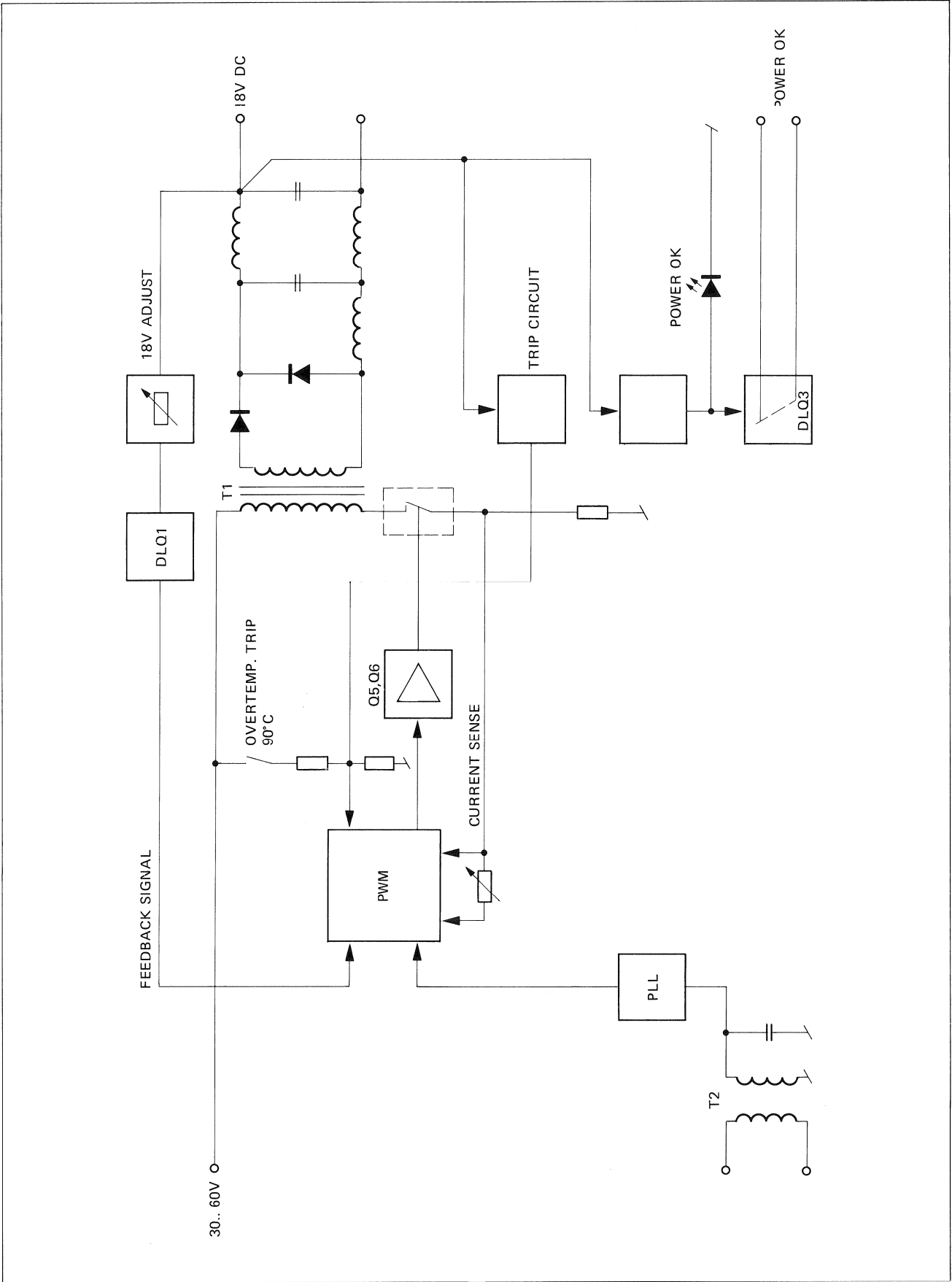
IND.	POS.NO.	PART NO.	VALUE	SPECIFICATIONS / EQUIVALENT	MANUF.	IND.	POS.NO.	PART NO.	VALUE	SPECIFICATIONS / EQUIVALENT	MANUF.
D.....4	50.04.0125	1M 444B		Fc,ITT,Ph,Seas,Tf		R....56	57.13.4229	2.2 Ohm	5X		
D.....5	50.04.1216	Z 10V	1,3W	ITT,Mot,Ph,Tf,Tho		R....57	57.13.4229	2.2 Ohm	5X		
D.....6	50.04.1216	Z 10V	1,3W	ITT,Mot,Ph,Tf,Tho		R....58	57.11.3164	160 kOhm	1X		
D.....7	50.04.1216	Z 10V	1,3W	ITT,Mot,Ph,Tf,Tho		T....1	1.022.247.00		Impulse transformer		St
D.....8	50.04.1216	Z 10V	1,3W	ITT,Mot,Ph,Tf,Tho		T....2	1.022.247.00		Impulse transformer		St
D.....9	50.04.0125	1M 444B		Fc,ITT,Ph,Seas,Tf		TP....1	54.02.0320		Test point		
D.....10	50.04.0125	1M 444B		Fc,ITT,Ph,Seas,Tf		TP....2	54.02.0320		Test point		
D.....11	50.04.0125	1M 444B		Fc,ITT,Ph,Seas,Tf		TP....3	54.02.0320		Test point		
D.....12	50.04.0125	1M 444B		Fc,ITT,Ph,Seas,Tf							
D.....13	50.04.1216	Z 10V	1,3W	ITT,Mot,Ph,Tf,Tho							
D.....14	50.04.1216	Z 10V	1,3W	ITT,Mot,Ph,Tf,Tho							
D.....15	50.04.1216	Z 10V	1,3W	ITT,Mot,Ph,Tf,Tho							
D.....16	50.04.1216	Z 10V	1,3W	ITT,Mot,Ph,Tf,Tho							
D.....17	50.04.0517	BV 32		Mot,Ph							
D.....18	50.04.0517	BV 32		Mot,Ph							
D.....19	50.04.0517	BV 32		Mot,Ph							
IC.....1	50.09.0106	NE 5532AN	NR 5532AN	EX,SIG							
IC.....2	50.07.0014	MC40106BCP	..14584..	Mot,NS,Ph,RCA,To							
IC.....3	50.07.0070	MC14070BPC	HEF4070BP, CD4070BE	Mot,Ph,RCA							
J.....1	54.25.0004	4 PGL 16A	see note 1								
J.....2	54.25.0002	2 PGL 16A	see note 2								
J.....3	54.25.0002	2 PGL 16A	see note 2								
L.....1	62.02.3101	100 uH	Filter coil	TDK							
L.....2	62.99.0112	>1 mH	Filter coil	Tokin							
L.....3	1.022.246.00		Choke coil	St							
L.....4	62.99.0113	1 uH	Filter coil	Vo							
L.....5	62.99.0113	1 uH	Filter coil	Vo							
L.....6	62.99.0113	1 uH	Filter coil	Vo							
L.....7	62.99.0113	1 uH	Filter coil	Vo							
F.....1	54.14.2002	16 cont.	see note 3								
Q.....1	50.03.0340	BC 327-25		ITT,NS,Ph,Sie							
Q.....2	50.03.0340	BC 327-25		ITT,NS,Ph,Sie							

S T U D E R (01) 89/02/27 PZ SPOOLING MOTOR DRIVE AMPLIFIER PL 1.820.875.82 PAGE 2 S T U D E R (01) 89/02/27 PZ SPOOLING MOTOR DRIVE AMPLIFIER PL 1.820.875.82 PAGE 5

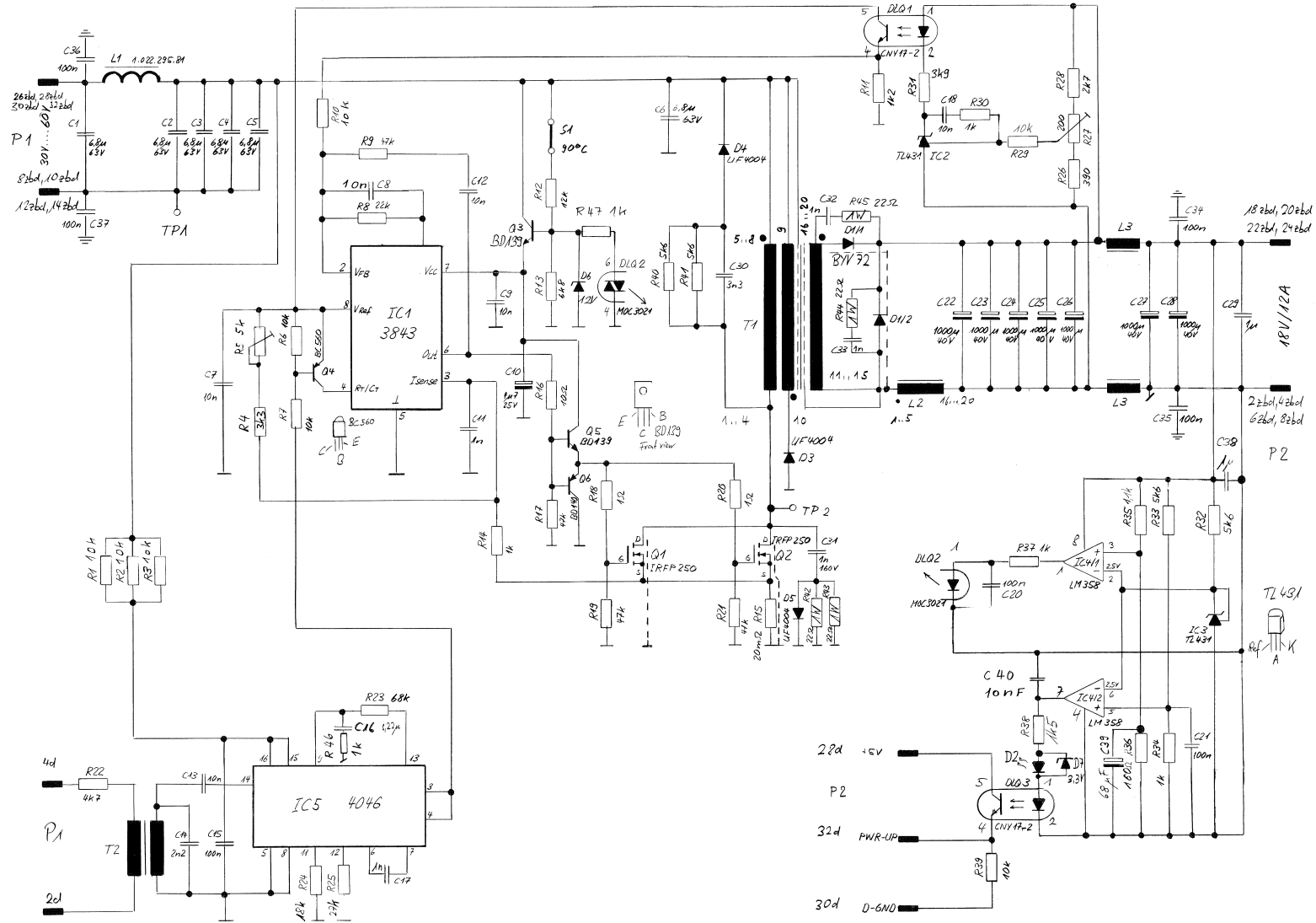
IND.	POS.NO.	PART NO.	VALUE	SPECIFICATIONS / EQUIVALENT	MANUF.	IND.	POS.NO.	PART NO.	VALUE	SPECIFICATIONS / EQUIVALENT	MANUF.
Q.....3	50.03.0351	BC 327-25		ITT,Ph,Sie		R.....1	57.11.3101	100 Ohm	5X		
Q.....4	50.03.0351	BC 327-25		ITT,Ph,Sie		R.....2	57.11.3753	75 kOhm	1X		
Q.....5	50.03.0451	BD 139		Mot,Ph,SGS,Te,To		R.....3	57.11.3242	2.4 kOhm	1X		
Q.....6	50.03.0451	BD 139		Mot,Ph,SGS,Te,To		R.....4	57.99.0199	680 Ohm	0.1X		
Q.....7	50.03.0452	BD 140		Mot,Ph,SGS,Te,To		R.....5	57.99.0250	6.8 kOhm	0.1X		
Q.....8	50.03.0452	BD 140		Mot,Ph,SGS,Te,To		R.....6	57.11.3273	27 kOhm	1X		
Q.....9	50.03.0350	J 112		Mot		R.....7	58.05.1103	10 kOhm	10X		
Q.....10	50.03.0350	J 112		Mot		R.....8	57.99.0199	680 Ohm	0.1X		
Q.....11	50.03.0350	J 112		Mot		R.....9	57.99.0250	6.8 kOhm	0.1X		
Q.....12	50.03.0350	J 112		Mot		R.....10	57.11.3332	3.3 kOhm	5X		
(00) Q.....13	50.03.1608	RFH 25N20	see note 4	IR		R.....11	57.99.0250	6.8 kOhm	0.1X		
(01) Q.....13	50.03.1612	IRFF 250	see note 4	IR		R.....12	57.99.0250	6.8 kOhm	0.1X		
(00) Q.....14	50.03.1608	RFH 25N20	see note 4	IR		R.....13	57.11.3152	1.5 kOhm	5X		
(01) Q.....14	50.03.1612	IRFF 250	see note 4	IR		R.....14	57.11.3152	1.5 kOhm	5X		
(00) Q.....15	50.03.1608	RFH 25N20	see note 4	IR		R.....15	57.11.3472	4.7 kOhm	5X		
(01) Q.....15	50.03.1612	IRFF 250	see note 4	IR		R.....16	57.11.3101	100 Ohm	5X		
(00) Q.....16	50.03.1608	RFH 25N20	see note 4	IR		R.....17	57.11.3101	100 Ohm	5X		
(01) Q.....16	50.03.1612	IRFF 250	see note 4	IR		R.....18	57.11.3100	10 Ohm	5X		

S T U D E R (01) 89/02/27 PZ SPOOLING MOTOR DRIVE AMPLIFIER PL 1.820.875.82 PAGE 3

BLOCKDIAGRAM STABILIZER 18V/12A PCM-MCH 1.862.600.00

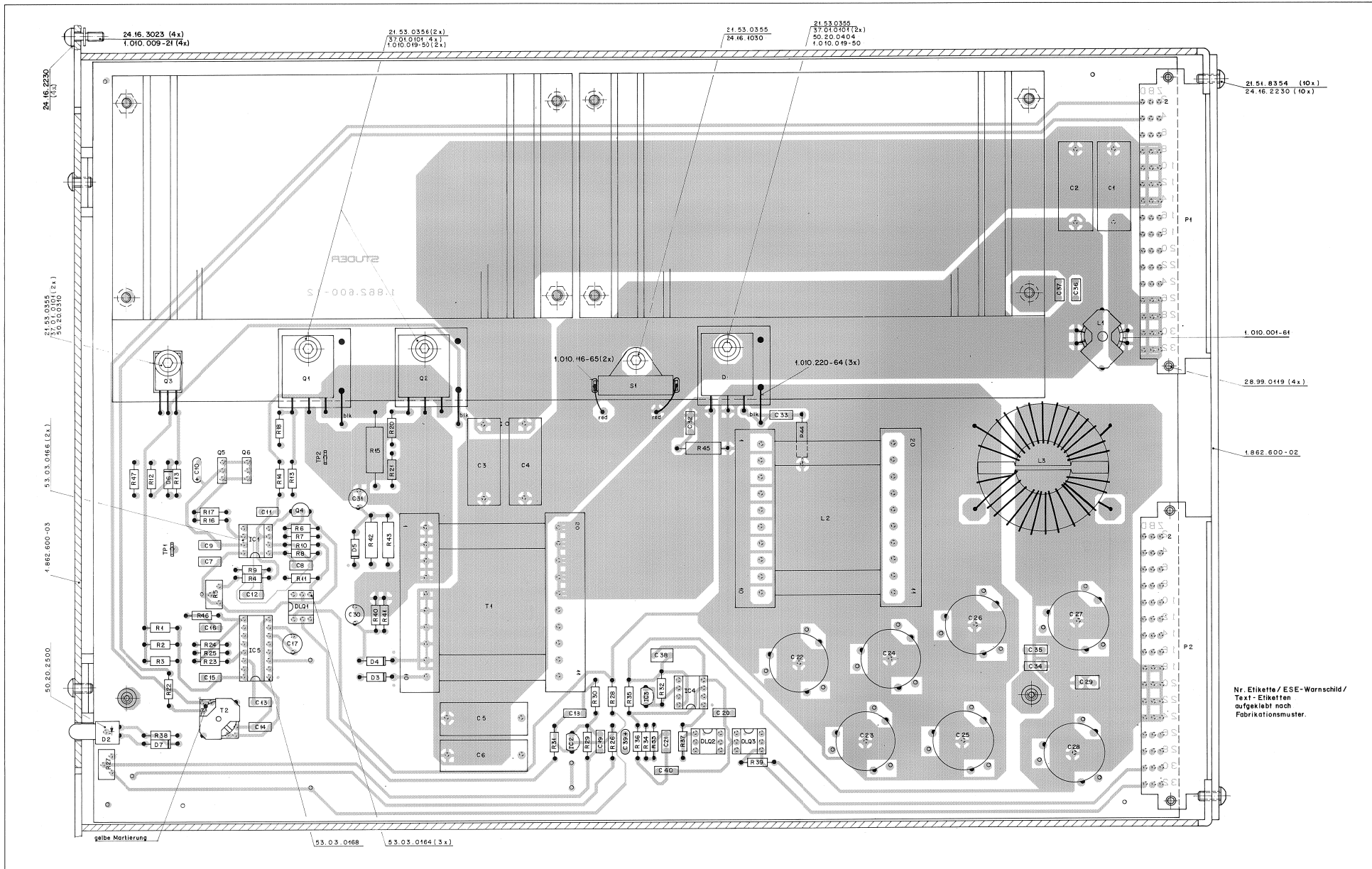


STABILIZER +18V 1.862.600.00



0 25.05.89 N. Müller	STABILIZER 18V/12A PCM-MCH	PAGE 1 OF 1
STUDER	SC	1.862.600.00

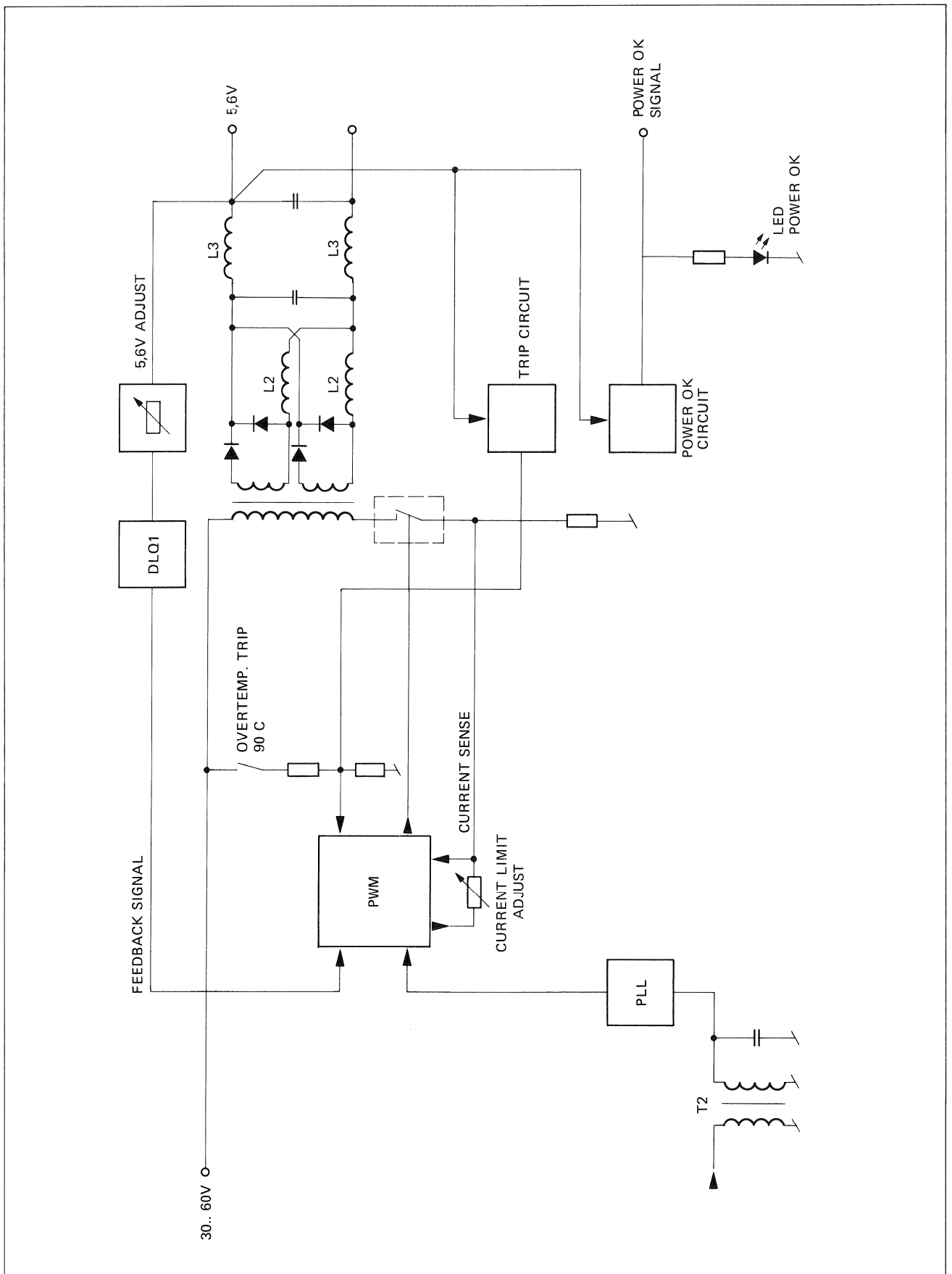
STABILIZER +18V 1.862.600.00



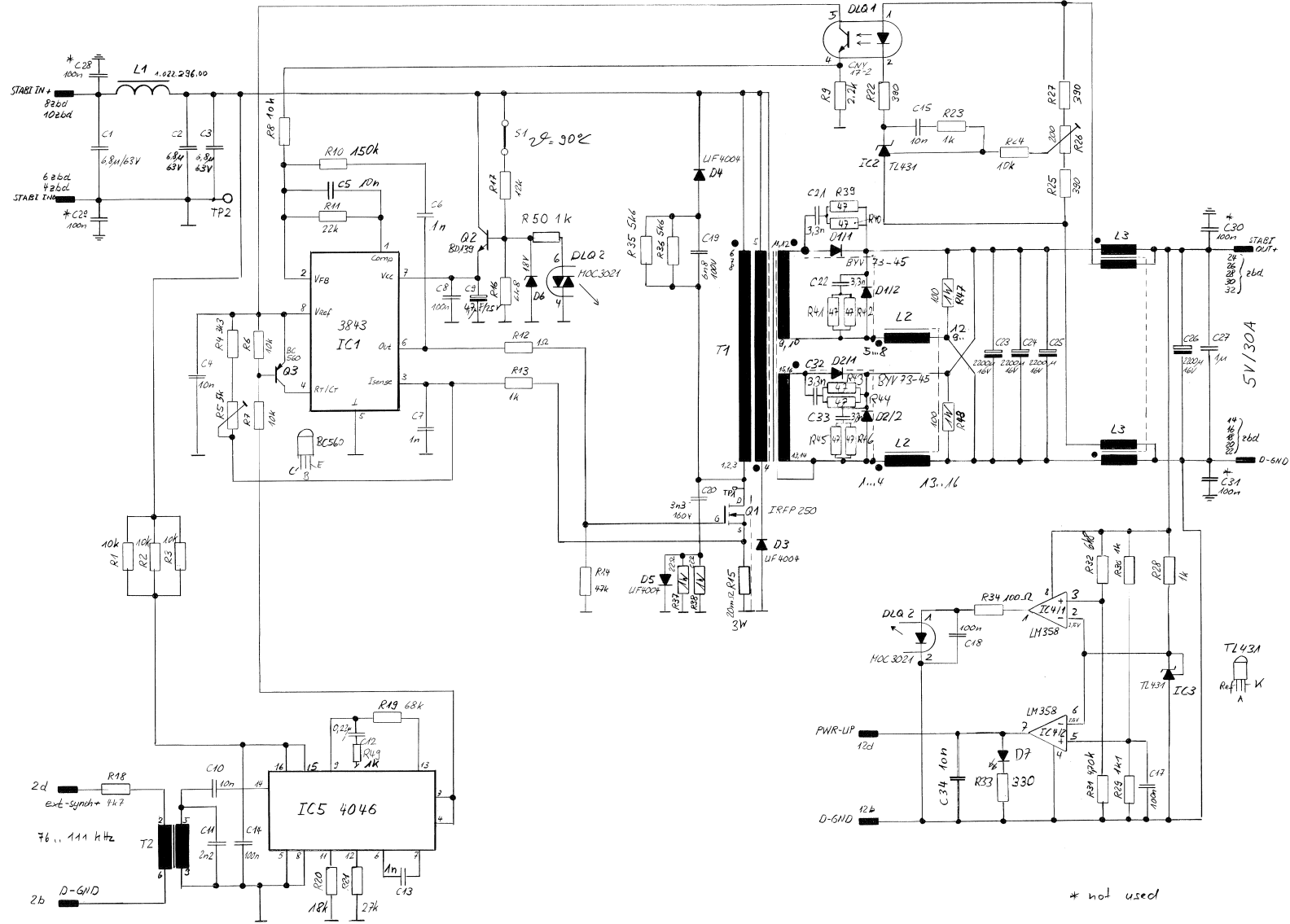
STABILIZER +18V 1.862.600.00

IND.	POS.NO.	PART NO.	VALUE	SPECIFICATIONS / EQUIVALENT	MANUF.	IND.	POS.NO.	PART NO.	VALUE	SPECIFICATIONS / EQUIVALENT	MANUF.
C....1		59.31.5685	6.8 uF	10%, 63V, MPEFP		R....39		57.11.3103	10 kOhm	1%	
C....2		59.31.5685	6.8 uF	10%, 63V, MPEFP		R....40		57.11.3562	5.6 kOhm	1%	
C....3		59.31.5685	6.8 uF	10%, 63V, MPEFP		R....41		57.11.3562	5.6 kOhm	1%	
C....4		59.31.5685	6.8 uF	10%, 63V, MPEFP		R....42		57.13.4220	22 Ohm	2%, 1W	
C....5		59.31.5685	6.8 uF	10%, 63V, MPEFP		R....43		57.13.4220	22 Ohm	2%, 1W	
C....6		59.31.5685	6.8 uF	10%, 63V, MPEFP		R....44		57.13.4220	22 Ohm	2%, 1W	
C....7		59.06.0103	10 nF	10%, 63V, PETF		R....45		57.13.4220	22 Ohm	2%, 1W	
C....8		59.06.0103	10 nF	10%, 63V, PETF		R....46		57.11.3102	1 kOhm	1%	
C....9		59.06.0103	10 nF	10%, 63V, PETF		R....47		57.11.3102	1 kOhm	1%	
C....10		59.26.5479	4.7 uF	20%, 25V, Sal		S....1		55.19.0005		Therme switch, Tokin nr. OHD 3 - 90 BU	
C....11		59.06.0102	1 nF	10%, 63V, PETF		T....1		1.022.615.00		Switching power transformer, 18 V	St
C....12		59.06.0103	10 nF	10%, 63V, PETF		T....2		1.022.614.00		Synch. Transformer	St
C....13		59.06.0103	10 nF	10%, 63V, PETF		TP....1		54.02.0320		Test Point	
C....14		59.06.0222	2.2 nF	10%, 63V, PETF		TP....2		54.02.0320		Test Point	
C....15		59.06.0104	100 nF	10%, 63V, PETF							
C....16		59.06.0224	220 nF	10%, 63V, PETF							
C....17		59.05.2102	1 nF	2.5%, 630V, PP							
C....18		59.06.0103	10 nF	10%, 63V, PETF							
C....19				not used							
C....20		59.06.0104	100 nF	10%, 63V, PETF							
C....21		59.06.0104	100 nF	10%, 63V, PETF							
C....22		59.28.4102	1000 uF	20%, 40V, El							
C....23		59.28.4102	1000 uF	20%, 40V, El							
C....24		59.28.4102	1000 uF	20%, 40V, El							
C....25		59.28.4102	1000 uF	20%, 40V, El							
C....26		59.28.4102	1000 uF	20%, 40V, El							
C....27		59.28.4102	1000 uF	20%, 40V, El							
C....28		59.28.4102	1000 uF	20%, 40V, El							
C....29		59.06.0105	1 uF	10%, 50V, PETF							
C....30		59.05.2332	3.3 nF	2.5%, 160V, PP							
C....31		59.05.2102	1 nF	2.5%, 630V, PP							
C....32		59.06.0102	1 nF	10%, 63V, PETF							
C....33		59.06.0102	1 nF	10%, 63V, PETF							
C....34		59.06.0104	100 nF	10%, 63V, PETF							
C....35		59.06.0104	100 nF	10%, 63V, PETF							
C....36		59.06.0104	100 nF	10%, 63V, PETF							
C....37		59.06.0104	100 nF	10%, 63V, PETF							
S T U D E R (01) 89/11/06 AST STABILIZER + 18V PL 1.862.600.00 PAGE 1						S T U D E R (01) 89/11/06 AST STABILIZER + 18V PL 1.862.600.00 PAGE 4					
IND.	POS.NO.	PART NO.	VALUE	SPECIFICATIONS / EQUIVALENT	MANUF.	IND.	POS.NO.	PART NO.	VALUE	SPECIFICATIONS / EQUIVALENT	MANUF.
C....38		59.06.0105	1 uF	10%, 50V, PETF							
C....39		59.26.0680	68 uF	20%, 6.3V, Sal		Note 1 - Potentiometer,		5 kOhm; Bourne nr.		3386 X-1-502	
C....40		59.06.0103	10 nF	10%, 63V, PETF				Spectrol nr.		63 X 502 T 010	
								Murata nr.		POT 3104 X-1-502	
D....1		50.04.0522		BYW 72-100							
D....2		50.04.2109		MV 5053		NOTE 2 - Potentiometer, 200 Ohm; Bourne nr.		3386 X-1-201			
D....3		50.04.0138		UF 4004				Spectrol nr.		63 X 201 T 010	
D....4		50.04.0138		UF 4004				Murata nr.		POT 3104 X-1-201	
D....5		50.04.0138		UF 4004							
D....6		50.04.1222		18 V Z-Diode							
D....7		50.04.1107		3.3V Z-Diode 5% 0.4W							
DLQ....1		50.04.3200		CNY17-2		El=Electrolytic, MPEFP=Metalized Polyesterfilm, PETF=Polyesterfilm,					
DLQ....2		50.04.3199		NCD 3021		PP=Polypropylene, Sal=Solid aluminium					
DLQ....3		50.04.3200		CNY17-2		MANUFACTURER: Fo=Fairchild, ITT=Internatell, IR=International Rectifier,					
IC....1		50.10.0113		IP 3843N							
IC....2		50.10.0106		TL 431 CLP							
IC....3		50.10.0106		TL 431 CLP							
IC....4		50.05.0286		LM 358N							
IC....5		50.07.1046		MCI4046BFC							
L....1		1.022.295.81		Filter coil							
L....2		1.022.616.00		Choke Coil +18V							
L....3		62.03.0115		Netzfilter >1.0mA, 15A							
P....1		54.11.2015		Euro Connector F , 3x16							
P....2		54.11.2015		Euro Connector F , 3x16							
Q....1		50.03.1612		IRF P250							
Q....2		50.03.1612		IRF P250							
Q....3		50.03.0451		BD 139							
Q....4		50.03.0496		BC 560							
Q....5		50.03.0451		BD 139							
Q....6		50.03.0452		BD 140							
R....1		57.11.3103		10 kOhm							
S T U D E R (01) 89/11/06 AST STABILIZER + 18V PL 1.862.600.00 PAGE 2						S T U D E R (01) 89/11/06 AST STABILIZER + 18V PL 1.862.600.00 PAGE 5					
IND.	POS.NO.	PART NO.	VALUE	SPECIFICATIONS / EQUIVALENT	MANUF.	IND.	POS.NO.	PART NO.	VALUE	SPECIFICATIONS / EQUIVALENT	MANUF.
R....2		57.11.3103		10 kOhm							
R....3		57.11.3103		10 kOhm							
R....4		57.11.3392		3.3 kOhm							
R....5		58.01.9502		5 kOhm							
R....6		57.11.3103		10 kOhm							
R....7		57.11.3103		10 kOhm							
R....8		57.11.3223		22 kOhm							
R....9		57.11.3473		47 kOhm							
R....10		57.11.3103		10 kOhm							
R....11		57.11.3122		1.2 kOhm							
R....12		57.11.3123		12 kOhm							
R....13		57.11.3662		6.8 kOhm							
R....14		57.11.3102		1 kOhm							
R....15		57.56.2020		20 mOhm							
R....16		57.11.3100		10 Ohm							
R....17		57.11.3473		47 kOhm							
R....18		57.11.0109		1 Ohm							
R....19		57.11.3473		47 kOhm							
R....20		57.11.3109		1 Ohm							
R....21		57.11.3473		47 kOhm							
R....22		57.11.3472		4.7 kOhm							
R....23		57.11.3663		68 kOhm							
R....24		57.11.3163		18 kOhm							
R....25		57.11.3273		27 kOhm							
R....26		57.11.3391		390 Ohm							
R....27		58.01.9201		200 Ohm							
R....28		57.11.3272		2.7 kOhm							
R....29		57.11.3103		10 kOhm							
R....30		57.11.3102		1 kOhm							
R....31		57.11.3392		3.9 kOhm							
R....32		57.11.3562		5.6 kOhm							
R....33		57.11.3562		5.6 kOhm							
R....34		57.11.3102		1 kOhm							
R....35		57.11.3112		1.1 kOhm							
R....36		57.11.3161		160 Ohm							
R....37		57.11.3102		1 kOhm							
R....38		57.11.3152		1.5 kOhm							
S T U D E R (01) 89/11/06 AST STABILIZER + 18V PL 1.862.600.00 PAGE 3											

BLOCKDIAGRAM STABILIZER 5V/30A PCM-MCH 1.862.601.00

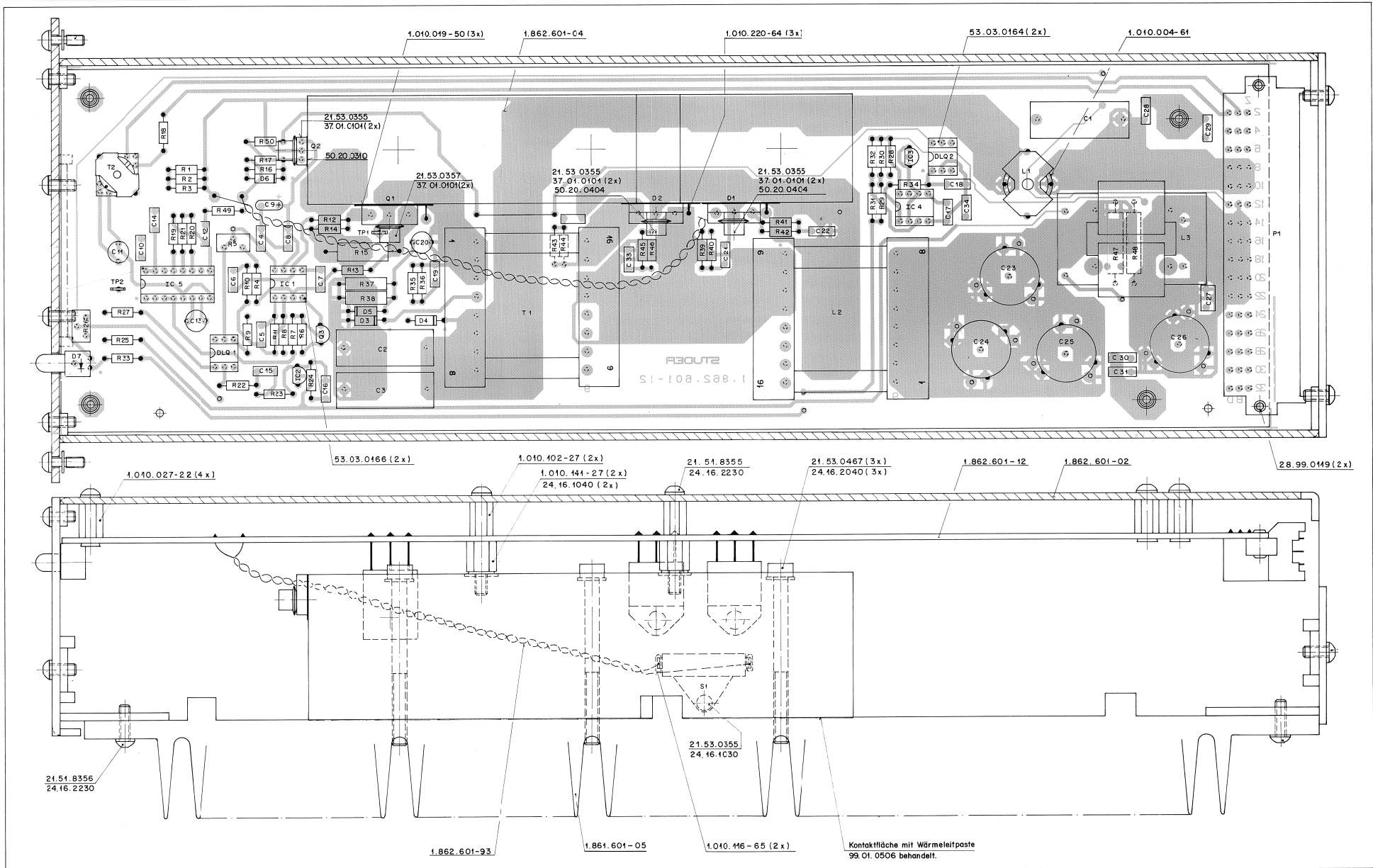


STABILIZER +5V 1.862.601.00



© 2.5.05.89 W. Hoffmeyer	STABILIZER 5V/30A PCM-MCH	PAGE 1 OF 1
STUDER	SC	1.862.601.00

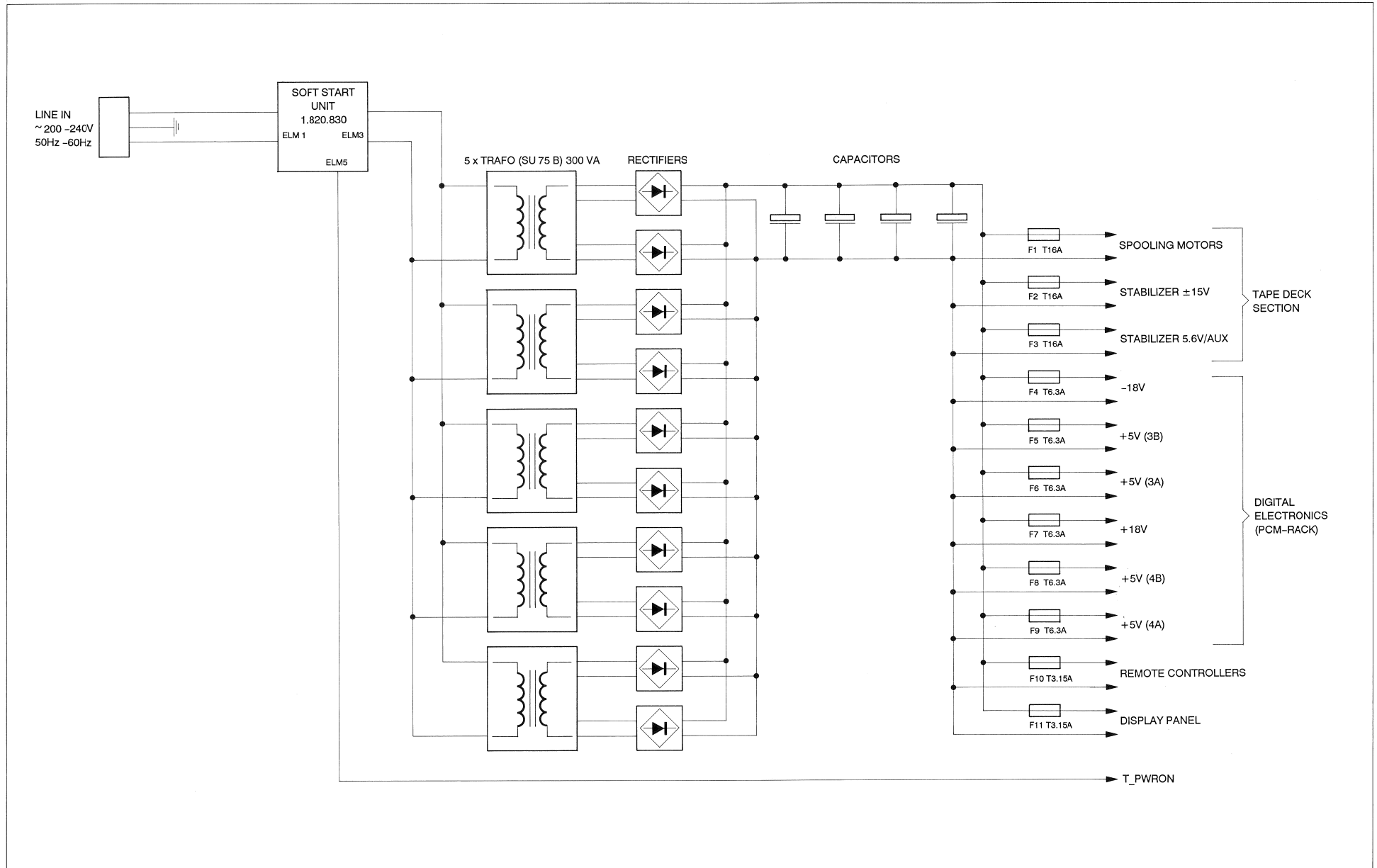
STABILIZER +5V 1.862.601.00



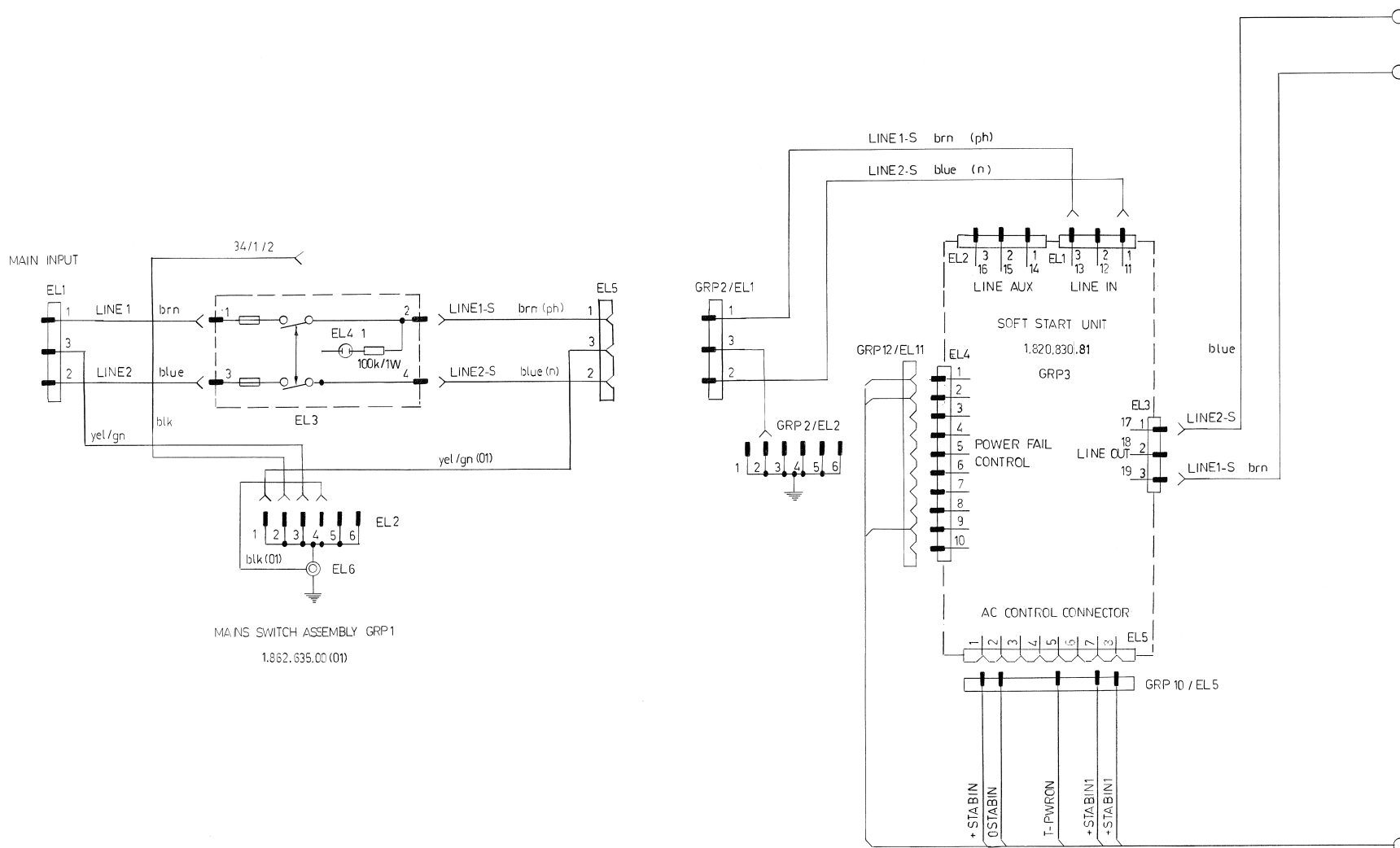
STABILIZER +5V 1.862.601.00

IND.	POS.NO.	PART NO.	VALUE	SPECIFICATIONS / EQUIVALENT	MANUF.	IND.	POS.NO.	PART NO.	VALUE	SPECIFICATIONS / EQUIVALENT	MANUF.
C.....1		59.31.5685	6.8 uF	10%, 63V, MPETP		(01) R....50		57.11.3102	1 kOhm	1X	
C.....2		59.31.5685	6.8 uF	10%, 63V, MPETP		S....1		55.19.0005		Thermo switch, Tokin nr. OHD 3 - 90 BU	
C.....3		59.31.5685	6.8 uF	10%, 63V, MPETP		T....1		1.022.613.00		Switching power transformer +5 V	St
C.....4		59.06.0103	10 nF	10%, 63V, PETP		T....2		1.022.614.00		Synch. Transformer	St
C.....5		59.06.0103	10 nF	10%, 63V, PETP		TP....1		54.02.0320		Test point	
C.....6		59.06.0102	1 nF	10%, 63V, PETP		TP....2		54.02.0320		Test point	
C.....7		59.06.0102	1 nF	10%, 63V, PETP							
C.....8		59.06.0104	100 nF	10%, 63V, PETP							
C.....9		59.26.9479	4.7 uF	20%, 25V, Sal							
C.....10		59.06.0103	10 nF	10%, 63V, PETP							
C.....11		59.06.2222	2.2 nF	2.5X, 160V, PP							
C.....12		59.06.2224	220 nF	10%, 63V, PETP							
C.....13		59.05.2102	1 nF	2.5X, 630V, PP							
C.....14		59.06.0104	100 nF	10%, 63V, PETP							
C.....15		59.06.0103	10 nF	10%, 63V, PETP							
C.....16			not used								
C.....17		59.06.0104	100 nF	10%, 63V, PETP							
C.....18		59.06.0104	100 nF	10%, 63V, PETP							
C.....19		59.06.0682	6.8 nF	10%, 63V, PETP		Note 1 - Potentiometer, 5 kOhm: Bourma nr.			3386 X-1-502		
C.....20		59.05.2332	3.3 nF	2.5X, 160V, PP				Spectrol nr.	63 X 502 T 010		
C.....21		59.06.0332	3.3 nF	10%, 63V, PETP				Murata nr.	POT 3104 X-1-502		
C.....22		59.06.0332	3.3 nF	10%, 63V, PETP		NOTE 2 - Potentiometer, 200 Ohm: Bourma nr.			3386 X-1-201		
C.....23		59.28.2222	2200 uF	20%, 16V, El				Spectrol nr.	63 X 201 T 010		
C.....24		59.28.2222	2200 uF	20%, 16V, El				Murata nr.	POT 3104 X-1-201		
C.....25		59.28.2222	2200 uF	20%, 16V, El							
C.....26		59.28.2222	2200 uF	20%, 16V, El							
C.....27		59.06.0105	1 uF	10%, 50V, PETP							
C.....28			not used								
C.....29			not used								
C.....30			not used								
C.....31			not used								
C.....32		59.06.0332	3.3 nF	10%, 63V, PETP							
C.....33		59.06.0332	3.3 nF	10%, 63V, PETP							
C.....34		59.06.0103	10 nF	10%, 63V, PETP							
D....1		50.04.0520	BVY 73-45,	MBR 3045PT	Mot/Ph						
D....2		50.04.0520	BVY 73-45,	MBR 3045PT	Mot/Ph	ORIG 89/05/23	(01) 89/11/06				
S T U D E R (01) 89/11/06 AST STABILIZER + 5V PL 1.862.601.00 PAGE 1						S T U D E R (01) 89/11/06 AST STABILIZER + 5V PL 1.862.601.00 PAGE 4					
IND.	POS.NO.	PART NO.	VALUE	SPECIFICATIONS / EQUIVALENT	MANUF.	IND.	POS.NO.	PART NO.	VALUE	SPECIFICATIONS / EQUIVALENT	MANUF.
D....3		50.04.0138	UF 4004								
D....4		50.04.0138	UF 4004								
D....5		50.04.0138	UF 4004								
D....6		50.04.1222		18V Z-Diode							
D....7		50.04.2109	MV 5053								
DLQ...1		50.04.3200		CNV17-2	Mot						
DLQ...2		50.04.2139		MOC 3021							
IC....1		50.10.0113		IP 3843N	UC 3843N						
IC....2		50.10.0106		TL 431 CLP	IPS,Un						
IC....3		50.10.0106		TL 431 CLP	Mot, TI						
IC....4		50.05.0286		UM 358B	Mot						
IC....5		50.07.1046		MC14046BPC	Mot only						
L.....1		1.022.296.00		Filter coil	St						
L.....2		1.022.611.00		Choke +5V	St						
L.....3		1.022.612.00		Common Mode Choke +5V	St						
P....1		54.11.2015		Euro Connector F, 3x16,							
Q....1		50.03.1612		IRF P250	IR,Un,Sa						
Q....2		50.03.0451		BD 139	any						
Q....3		50.03.0496		BC 560	any						
R....1		57.11.3103		10 kOhm	1X						
R....2		57.11.3103		10 kOhm	1X						
R....3		57.11.3103		10 kOhm	1X						
R....4		57.11.3332		3.3 kOhm	1X						
R....5		58.01.9202		5 kOhm	10X, see note 1						
R....6		57.11.3103		10 kOhm	1X						
R....7		57.11.3103		10 kOhm	1X						
R....8		57.11.3103		10 kOhm	1X						
R....9		57.11.3222		2.2 kOhm	1X						
R....10		57.11.3154		150 kOhm	1X						
R....11		57.11.3223		22 kOhm	1X						
R....12		57.11.3109		1 Ohm	1X						
S T U D E R (01) 89/11/06 AST STABILIZER + 5V PL 1.862.601.00 PAGE 2											
IND.	POS.NO.	PART NO.	VALUE	SPECIFICATIONS / EQUIVALENT	MANUF.	IND.	POS.NO.	PART NO.	VALUE	SPECIFICATIONS / EQUIVALENT	MANUF.
R....13		57.11.3102		1 kOhm	1X						
R....14		57.11.3473		47 kOhm	1X						
R....15		57.56.2020		20 mOhm	5X, 3 W, Low Inductance						
R....16		57.11.3682		6.8 kOhm	1X						
R....17		57.11.3123		12 kOhm	1X						
R....18		57.11.3472		4.7 kOhm	1X						
R....19		57.11.3683		68 kOhm	1X						
R....20		57.11.3183		18 kOhm	1X						
R....21		57.11.3273		27 kOhm	1X						
R....22		57.11.3391		390 Ohm	1X						
R....23		57.11.3102		1 kOhm	1X						
R....24		57.11.3103		10 kOhm	1X						
R....25		57.11.3391		390 Ohm	1X						
R....26		58.01.9201		200 Ohm	10X, see note 2						
R....27		57.11.3391		390 Ohm	1X						
R....28		57.11.3102		1 kOhm	1X						
R....29		57.11.3102		1 kOhm	1X						
R....30		57.11.3102		1 kOhm	1X						
R....31		57.11.3472		4.7 kOhm	1X						
R....32		57.11.3682		6.8 kOhm	1X						
R....33		57.11.3331		330 Ohm	1X						
R....34		57.11.3101		100 Ohm	1X						
R....35		57.11.3562		5k6 kOhm	1X						
R....36		57.11.3562		5k6 kOhm	1X						
R....37		57.13.4220		22 Ohm	2X 1W						
R....38		57.13.4220		22 Ohm	2X 1W						
R....39		57.11.3470		47 Ohm	1X						
R....40		57.11.3470		47 Ohm	1X						
R....41		57.11.3470		47 Ohm	1X						
R....42		57.11.3470		47 Ohm	1X						
R....43		57.11.3470		47 Ohm	1X						
R....44		57.11.3470		47 Ohm	1X						
R....45		57.11.3470		47 Ohm	1X						
R....46		57.11.3470		47 Ohm	1X						
R....47		57.13.4101		100 Ohm	2X 1W						
R....48		57.13.4101		100 Ohm	2X 1W						
R....49		57.11.3102		1 kOhm	1X						
S T U D E R (01) 89/11/06 AST STABILIZER + 5V PL 1.862.601.00 PAGE 3											

BLOCKDIAGRAM POWER SUPPLY 1.862.620.81

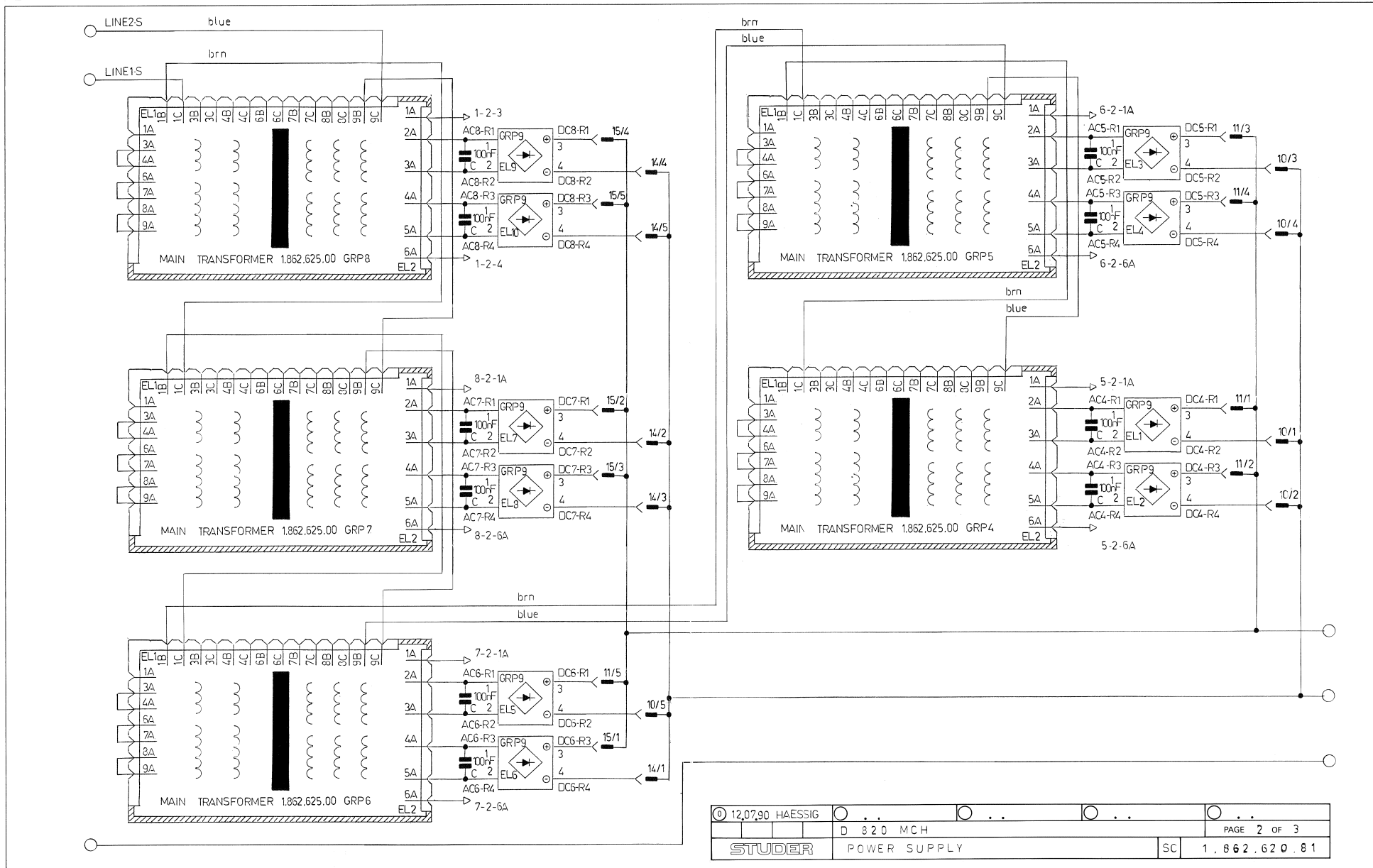


POWER SUPPLY 1.862.620.81



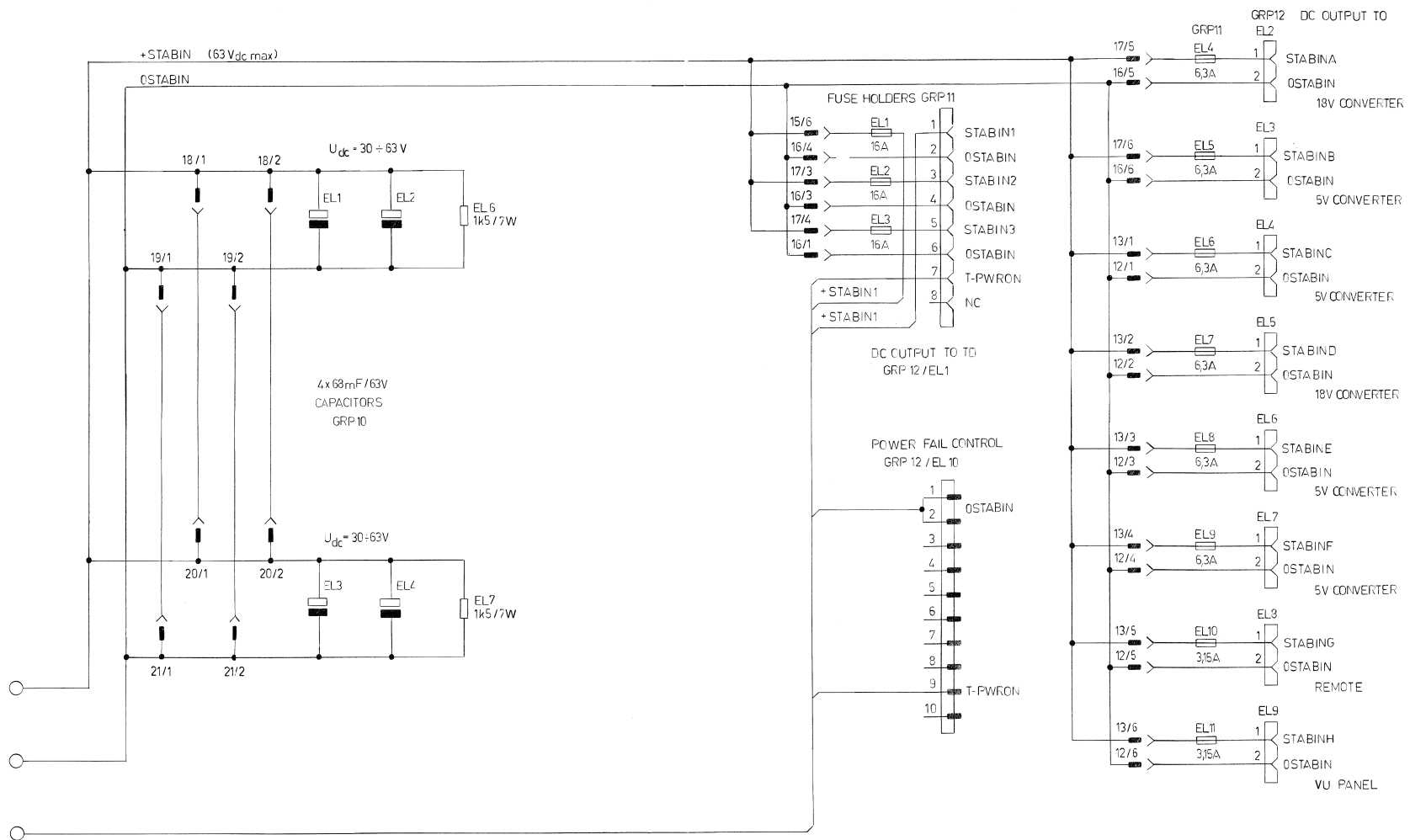
12.07.90	HAESSIG						
		D 820 MCH				PAGE 1 OF 3	
STUDER		POWER SUPPLY	SC	1.862.620.81			

POWER SUPPLY 1.862.620.81



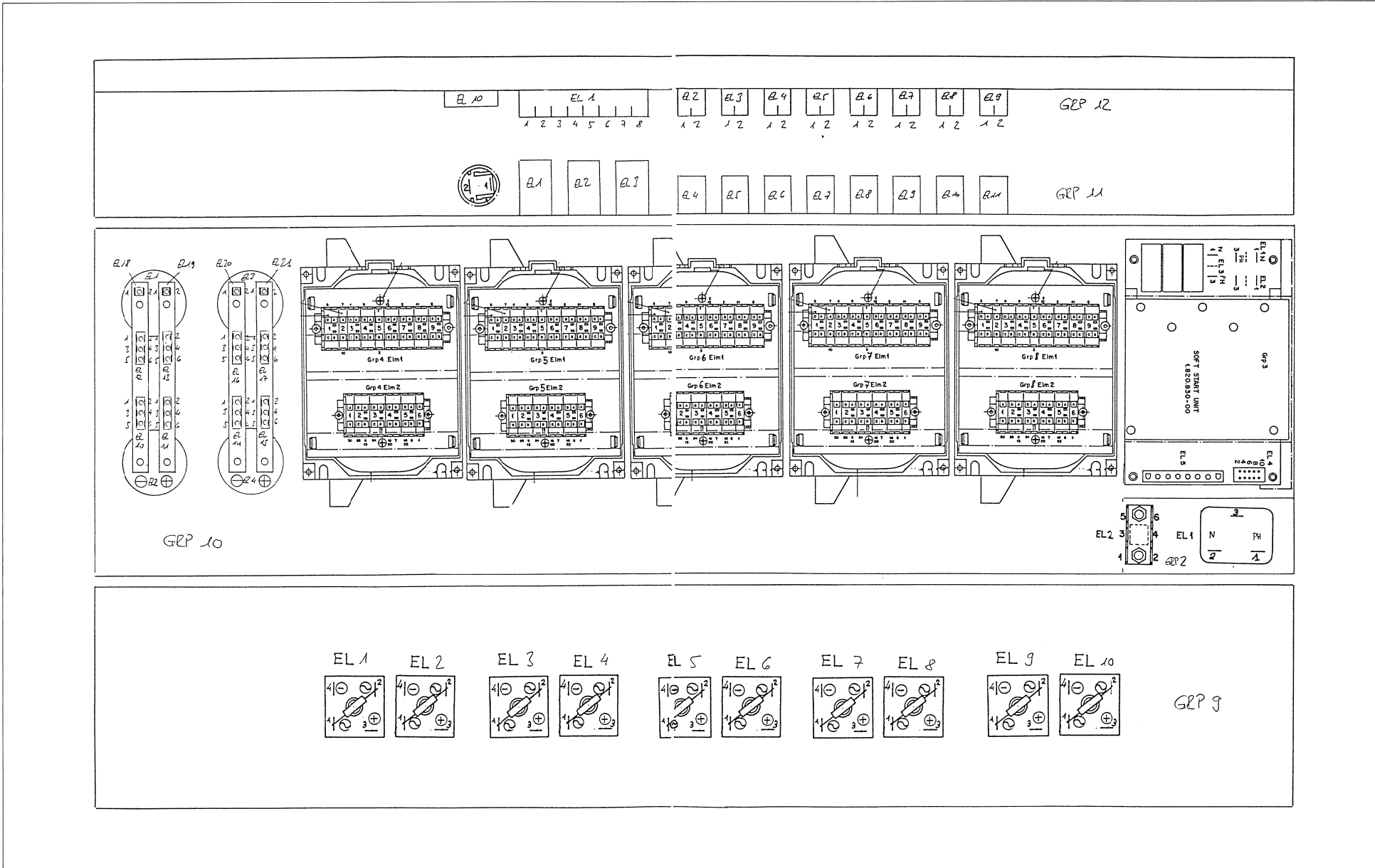
© 12,07,90 HAESSIG	○ . . . ○ . . . ○ . . . ○ . . .	
	D 820 MCH	PAGE 2 OF 3
STUDIER	POWER SUPPLY	SC 1.862.620.81

POWER SUPPLY 1.862.620.81



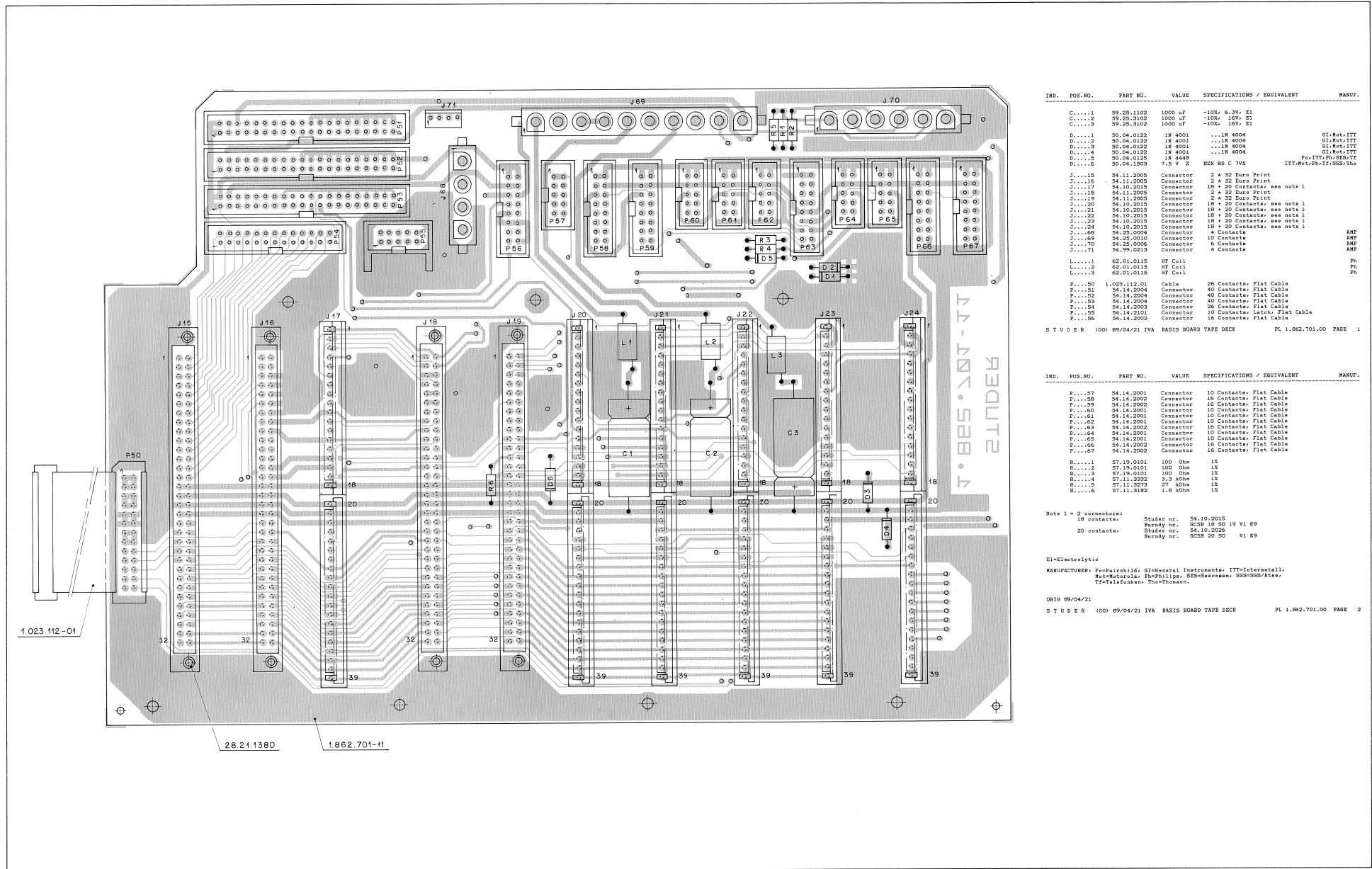
12.07.90	HAESSIG				
D 820 MCH			PAGE 3 OF 3		
STUDER		POWER SUPPLY		SC	1.862.620.81

POWER SUPPLY 1.862.620.81



STUDER D820 MCH

BASIS BOARD TAPE DECK 1.862.701.00



IND.	POS.NO.	PART NO.	VALUE	SPECIFICATIONS / EQUIVALENT	MANUF.
C....1		99.25.1102	1000 uF	-10% 6.3V E1	
C....2		99.25.3102	1000 uF	-10% 16V E1	
C....3		99.25.3102	1000 uF	-10% 16V E1	
D....1		90.04.0122	18 4001	...18 4004	GI-RET/ITT
D....2		90.04.0122	18 4001	...18 4004	GI-RET/ITT
D....3		90.04.0122	18 4001	...18 4004	GI-RET/ITT
D....4		90.04.0122	18 4001	...18 4004	GI-RET/ITT
D....5		90.04.0125	18 4445		Fe/ITT/Ph/SES/Te
D....6		90.04.1003	7.5 V Z	BZX 85 C 7V5	ITT-RET/Ph/ITT/SES/Te
J....15		54.11.2005	Connector	2 * 32 Euro Print	
J....16		54.11.2005	Connector	2 * 32 Euro Print	
J....17		54.10.2015	Connector	18 + 20 Contacts; see note 1	
J....18		54.11.2005	Connector	2 * 32 Euro Print	
J....19		54.11.2005	Connector	2 * 32 Euro Print	
J....20		54.10.2015	Connector	18 + 20 Contacts; see note 1	
J....21		54.10.2015	Connector	18 + 20 Contacts; see note 1	
J....22		54.10.2015	Connector	18 + 20 Contacts; see note 1	
J....23		54.10.2015	Connector	18 + 20 Contacts; see note 1	
J....24		54.10.2015	Connector	18 + 20 Contacts; see note 1	
J....68		54.25.0004	Connector	4 Contacts	ANP
J....69		54.25.0010	Connector	10 Contacts	ANP
J....70		54.25.0006	Connector	6 Contacts	ANP
J....71		54.99.0213	Connector	4 Contacts	ANP
L....1		62.01.0115	HF Coil		Ph
L....2		62.01.0115	HF Coil		Ph
L....3		62.01.0115	HF Coil		Ph
F....50		1.023.112.01	Cable	26 Contacts; Flat Cable	
F....51		54.14.2004	Connector	40 Contacts; Flat Cable	
F....52		54.14.2004	Connector	40 Contacts; Flat Cable	
F....53		54.14.2004	Connector	40 Contacts; Flat Cable	
F....54		54.14.2003	Connector	26 Contacts; Flat Cable	
F....55		54.14.2101	Connector	10 Contacts; Label; Flat Cable	
F....56		54.14.2002	Connector	16 Contacts; Flat Cable	

STUDER (00) 89/04/21 IVA BASIS BOARD TAPE DECK PL 1.862.701.00 PAGE 1

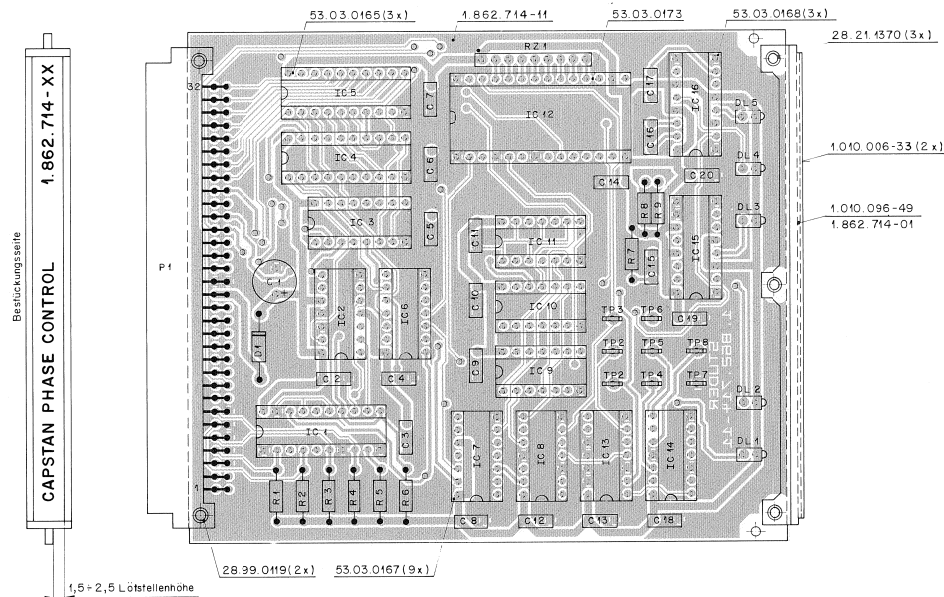
IND.	POS.NO.	PART NO.	VALUE	SPECIFICATIONS / EQUIVALENT	MANUF.
F....57		54.14.2001	Connector	10 Contacts; Flat Cable	
F....58		54.14.2002	Connector	16 Contacts; Flat Cable	
F....59		54.14.2002	Connector	16 Contacts; Flat Cable	
F....60		54.14.2001	Connector	10 Contacts; Flat Cable	
F....61		54.14.2001	Connector	10 Contacts; Flat Cable	
F....62		54.14.2001	Connector	10 Contacts; Flat Cable	
F....63		54.14.2001	Connector	10 Contacts; Flat Cable	
F....64		54.14.2001	Connector	10 Contacts; Flat Cable	
F....65		54.14.2001	Connector	10 Contacts; Flat Cable	
F....66		54.14.2002	Connector	16 Contacts; Flat Cable	
F....67		54.14.2002	Connector	16 Contacts; Flat Cable	
R....1		57.19.0101	100 Ohm	1X	
R....2		57.19.0101	100 Ohm	1X	
R....3		57.19.0101	100 Ohm	1X	
R....4		57.11.3232	3.3 kOhm	1X	
R....5		57.11.3273	27 kOhm	1X	
R....6		57.11.3192	1.8 kOhm	1X	

Note 1 = 2 connectors:
 18 contacts: Studer nr. 54.10.2015
 Bussby nr. SC38 18 20 19 V1 K9
 20 contacts: Studer nr. 54.10.2026
 Bussby nr. SC38 20 20 V1 K9

El-Electrolytic
 MANUFACTURER: Fe=Fairchild; GI=General Instruments; ITT=International;
 Mo=Motorola; Ph=Philips; SES=Saecuss; SGS=SGS/Aten;
 Te=Telefunken; Tho=Thomson.

ORIG 89/04/21
 STUDER (00) 89/04/21 IVA BASIS BOARD TAPE DECK PL 1.862.701.00 PAGE 2

CAPSTAN PHASE CONTROL BOARD 1.862.714.00



IND.	POS.NO.	PART NO.	VALUE	SPECIFICATIONS / EQUIVALENT	MANUF.
C.....1	59.22.3921	220 nF		10V, E1	
C.....2	59.06.0104	100 nF		10%, 63V, PETP	
C.....3	59.06.0104	100 nF		10%, 63V, PETP	
C.....4	59.06.0104	100 nF		10%, 63V, PETP	
C.....5	59.06.0104	100 nF		10%, 63V, PETP	
C.....6	59.06.0104	100 nF		10%, 63V, PETP	
C.....7	59.06.0104	100 nF		10%, 63V, PETP	
C.....8	59.06.0104	100 nF		10%, 63V, PETP	
C.....9	59.06.0104	100 nF		10%, 63V, PETP	
C.....10		not used			
C.....11		not used			
C.....12	59.06.0104	100 nF		10%, 63V, PETP	
C.....13		not used			
C.....14	59.06.0104	100 nF		10%, 63V, PETP	
C.....15	59.06.0104	100 nF		10%, 63V, PETP	
C.....16	59.06.0104	100 nF		10%, 63V, PETP	
C.....17	59.06.0104	100 nF		10%, 63V, PETP	
C.....18	59.06.0104	100 nF		10%, 63V, PETP	
C.....19	59.06.0104	100 nF		10%, 63V, PETP	
C.....20		not used			

IND.	POS.NO.	PART NO.	VALUE	SPECIFICATIONS / EQUIVALENT	MANUF.
D.....1	50.04.0512	1R 5019		1R 5019	Not
DL.....1	50.04.2107	555-2007			Di
DL.....2	50.04.2107	555-2007			Di
DL.....3	50.04.2107	555-2007			Di
DL.....4	50.04.2107	555-2007			Di
DL.....5	50.04.2107	555-2007			Di
IC.....1	50.21.0244	74 F 244 PC		N 74 F 244 PC	FerSig
IC.....2	50.21.0074	74 F 74 PC		MC 74 F 74 N	FerMet
IC.....3	50.17.1136	CD74HC138E		.. 74 HC 138	Met-NS-Pw,RCA,SGS-Tho,Ti-To
IC.....4	50.17.1273	CD74HC273E		.. 74 HC 273	Met-NS-Pw,RCA,SGS-Tho,Ti-To
IC.....5	50.17.0645			SN 74 HCT 645 N	TI
IC.....6	50.17.0004	CD74HC04E		.. 74 HCT 04	Met-NS-Pw,RCA,SGS-Tho,Ti-To
IC.....7	50.21.0074	74 F 74 PC		MC 74 F 74 N	FerMet
IC.....8	50.06.0113	874LS13N		SN 74 LS 113 N	SigMet

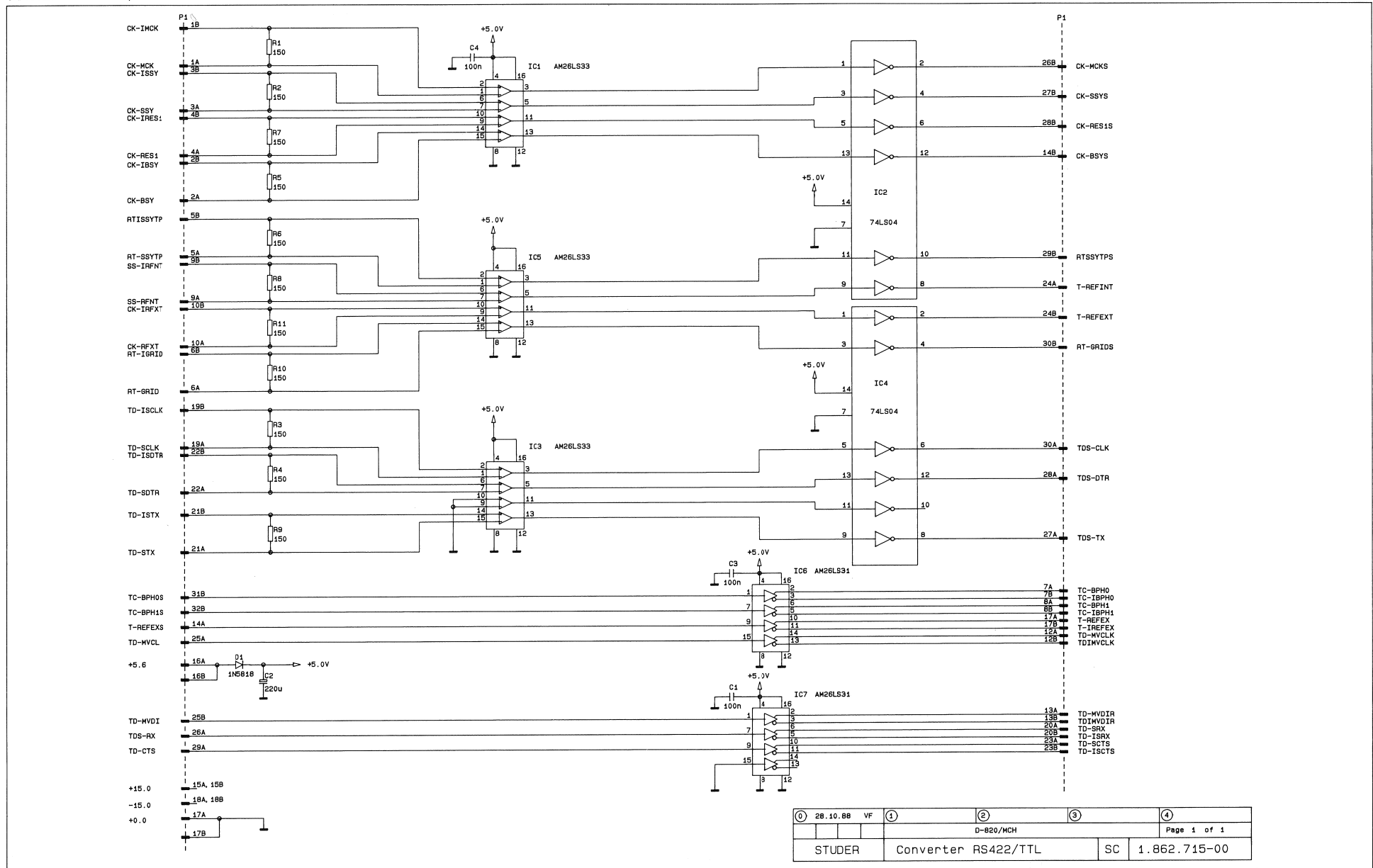
S T U D E R (01) 90/03/02 BPT CAPSTAN PHASE CONTROL BOARD Pl.1.862.714.00 PAGE 1

IND.	POS.NO.	PART NO.	VALUE	SPECIFICATIONS / EQUIVALENT	MANUF.
IC.....9	50.06.0032	74LS 93PC		.. 74 LS 92	FerNS-SigTI
IC.....10	50.06.0008	874LS 08N		.. 74 LS 08	RE-SigTI
IC.....11	50.06.0004	74LS 04PC		.. 74 LS 04	FerNS-SigTI
IC.....12	50.16.0113	MC 6840 P		HE 68 A 40 P	RE-MET
IC.....13	50.06.0113	874LS13N		SN 74 LS 113 N	SigTI
IC.....14	50.06.0113	874LS13N		SN 74 LS 113 N	SigTI
IC.....15	50.17.1123	CD74HC123E		.. 74 HC 123	NS-Pw,RCA,SGS-ThoTo
IC.....16	50.17.1123	CD74HC123E		.. 74 HC 123	NS-Pw,RCA,SGS-ThoTo
F.....1	54.11.2004	Connecteur		EURO 2 x 32, PRINT	
(00) R.....1	57.11.9221	220 Ohm	1%		
(01) R.....1	57.11.3103	10 kOhm	10%		
(00) R.....2	57.11.9221	220 Ohm	1%		
(01) R.....2	57.11.3103	10 kOhm	10%		
(00) R.....3	57.11.9221	220 Ohm	1%		
(01) R.....3	57.11.3103	10 kOhm	10%		
(00) R.....4	57.11.9221	220 Ohm	1%		
(01) R.....4	57.11.3103	10 kOhm	10%		
R.....5		not used			
R.....6		not used			
R.....7	57.11.3104	100 kOhm	1%		
R.....8	57.11.3104	100 kOhm	1%		
R.....9	57.11.3104	100 kOhm	1%		
RZ.....1	57.88.4103	8x10 kOhm	SIP 9		
TP.....1	54.02.0320	Testpoint			
TP.....2	54.02.0320	Testpoint			
TP.....3	54.02.0320	Testpoint			
TP.....4	54.02.0320	Testpoint			
TP.....5	54.02.0320	Testpoint			
TP.....6	54.02.0320	Testpoint			
TP.....7	54.02.0320	Testpoint			
TP.....8	54.02.0320	Testpoint			

S T U D E R (01) 90/03/02 BPT CAPSTAN PHASE CONTROL BOARD Pl.1.862.714.00 PAGE 2

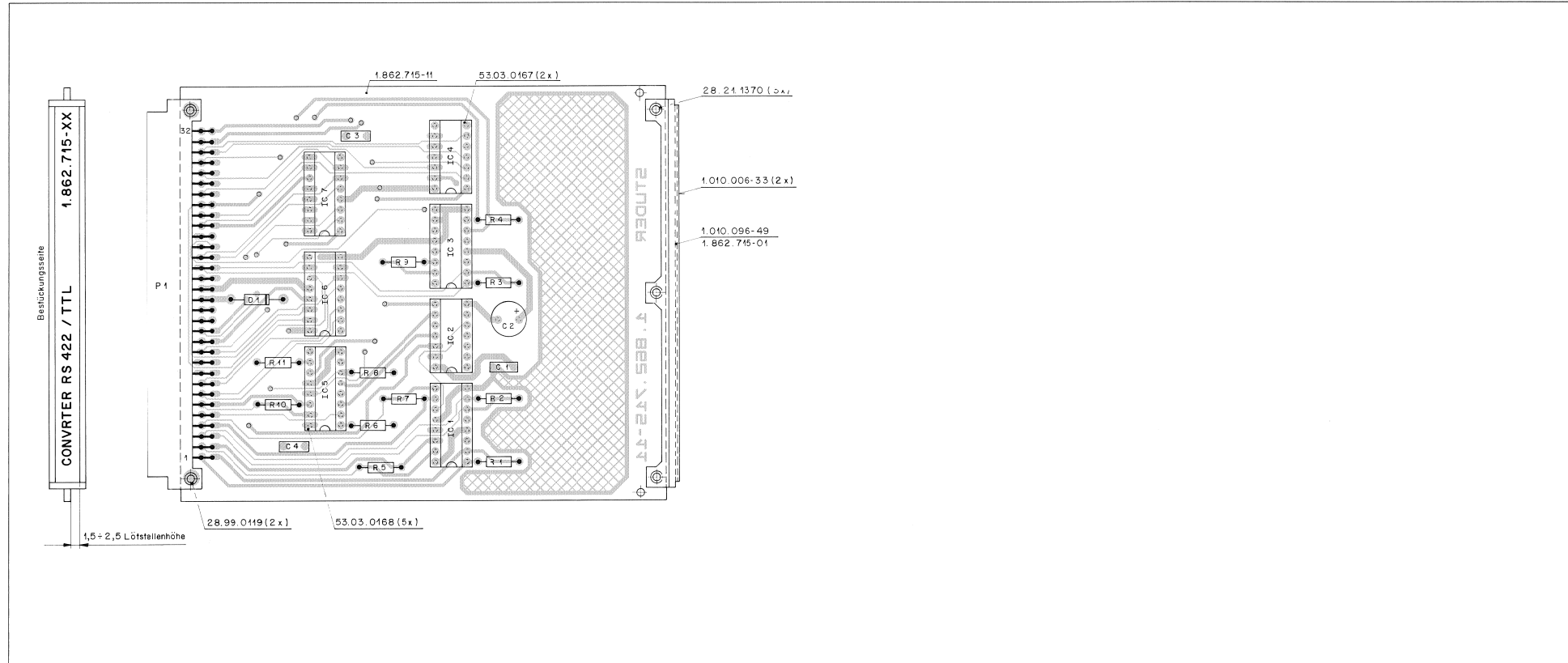
IND.	POS.NO.	PART NO.	VALUE	SPECIFICATIONS / EQUIVALENT	MANUF.
(01) 02.03.90				Value of pull-up resistors R1 to R4 increased, because of driver overload.	
E1=				Electrolytic; PETP=Polystyrenfilm	
MANUFACTURER:				Di=Diodes; Fer=Fairchild; Hi=Hitachi; Met=Motorola; NS=National Semiconductor; Phi=Philips; RCA=Radio Corporation of America; SGS=SGS/Ates; Sig=Signetics; Tho=Thomson; TI=Texas Instruments; To= Toshiba.	

CONVERTER RS422/TTL 1.862.715.00



①	28.10.88	VF	②	③	④
			D-820/MCH		Page 1 of 1
STUDER		Converter RS422/TTL		SC	1.862.715-00

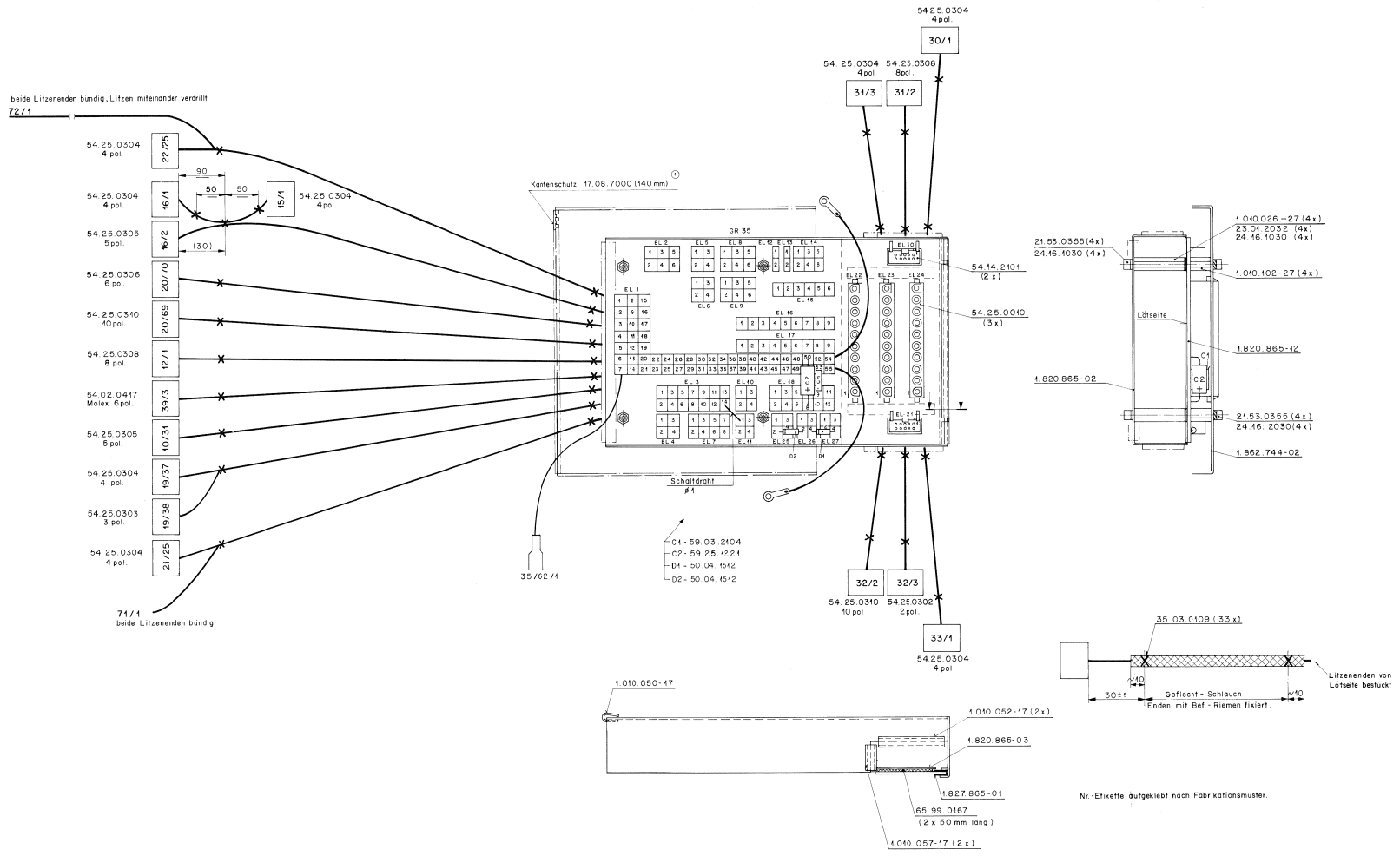
CONVERTER RS422/TTL 1.862.715.00



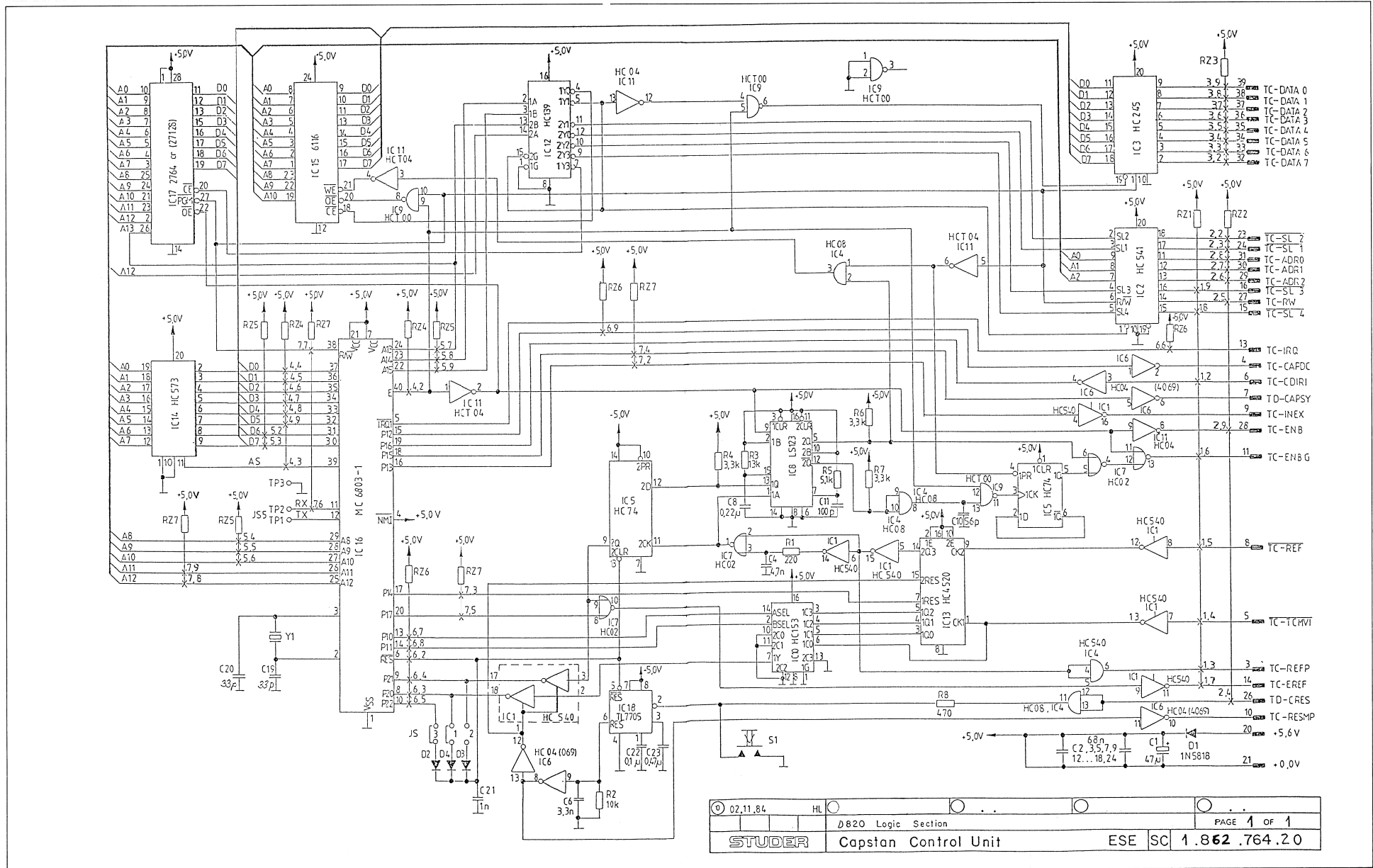
IND.	POS.NO.	PART NO.	VALUE	SPECIFICATIONS / EQUIVALENT	MANUF.	IND.	POS.NO.	PART NO.	VALUE	SPECIFICATIONS / EQUIVALENT	MANUF.
C.....1		59.06.0104	100 nF	10%, 63V / PETP							
C.....2		59.41.0221	220 nF	-20%, 10V / B1							
C.....3		59.06.0104	100 nF	10%, 63V / PETP							
C.....4		59.06.0104	100 nF	10%, 63V / PETP							
D.....1		50.04.0512	1N 5819	1N 5819	Met						
IC.....1		50.15.0109	MM26LS31C	AM 26 LS 31 IC	AMD, NS						
IC.....2		50.06.0004	74 LS 04RC	74 LS 04	Fe, NS, Sig, TI						
IC.....3		50.15.0109	MM26LS31C	AM 26 LS 31 IC	AMD, NS						
IC.....4		50.06.0004	74 LS 04RC	74 LS 04	Fe, NS, Sig, TI						
IC.....5		50.15.0109	MM26LS31C	AM 26 LS 31 IC	AMD, NS						
IC.....6		50.15.0109	MM26LS31C	AM 26 LS 31 IC	AMD, Met, TI						
IC.....7		50.15.0109	MM26LS31C	AM 26 LS 31 IC	AMD, Met, TI						
F.....1		54.11.0204	Connector	EURO 2 x 32, PRINT							
R.....1		57.11.3151	150 Ohm	1%							
R.....2		57.11.3151	150 Ohm	1%							
R.....3		57.11.3151	150 Ohm	1%							
R.....4		57.11.3151	150 Ohm	1%							
R.....5		57.11.3151	150 Ohm	1%							
R.....6		57.11.3151	150 Ohm	1%							
R.....7		57.11.3151	150 Ohm	1%							
R.....8		57.11.3151	150 Ohm	1%							
R.....9		57.11.3151	150 Ohm	1%							
R.....10		57.11.3151	150 Ohm	1%							
R.....11		57.11.3151	150 Ohm	1%							

ORIG 89/05/10

DISTRIBUTION BOARD TD 1.862.744.00

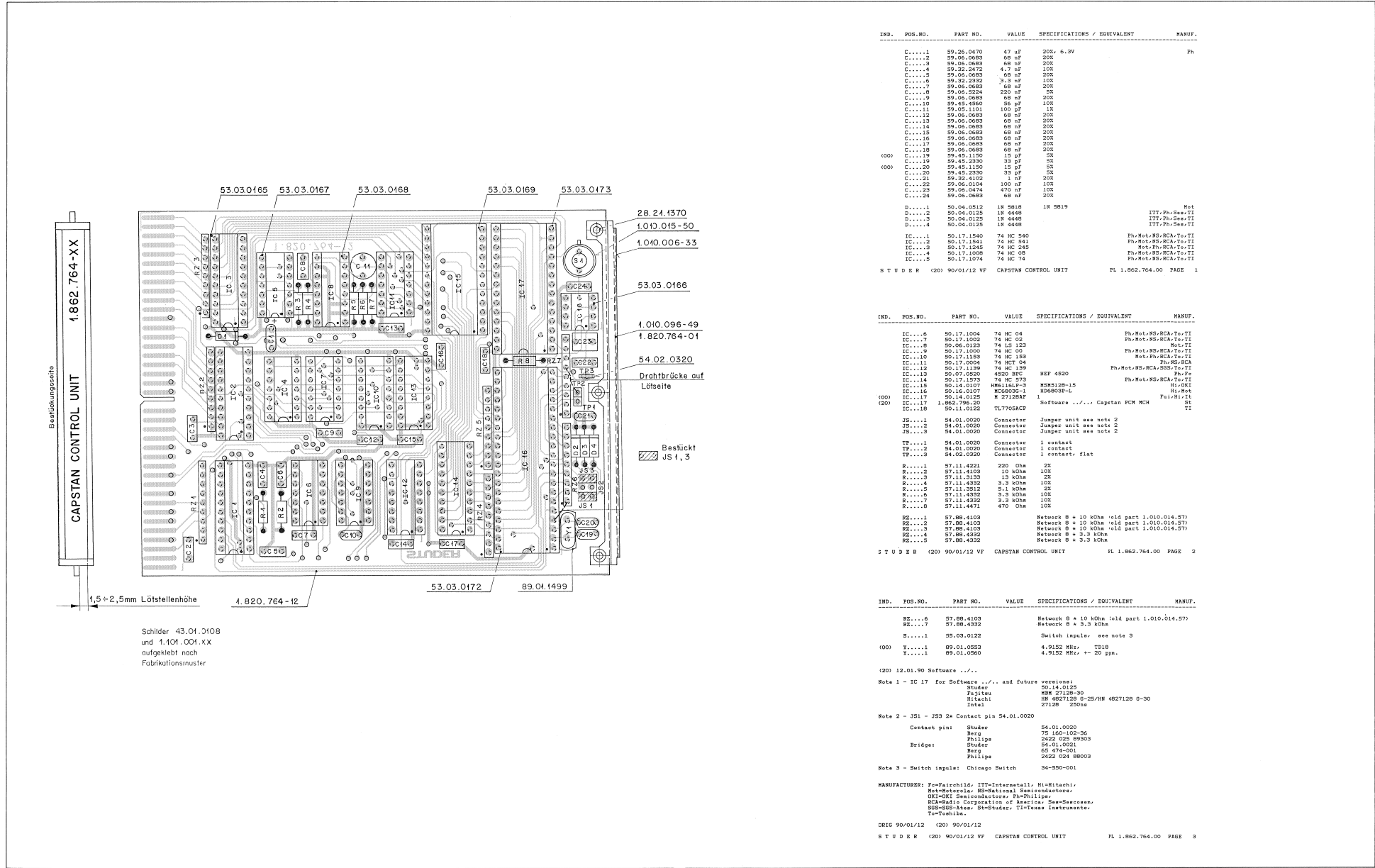


CAPSTAN CONTROL UNIT 1.862.764.20



02.11.84	HL								
D820 Logic Section									
STUDER Capstan Control Unit									
ESE SC 1.862.764.20									
PAGE 1 OF 1									

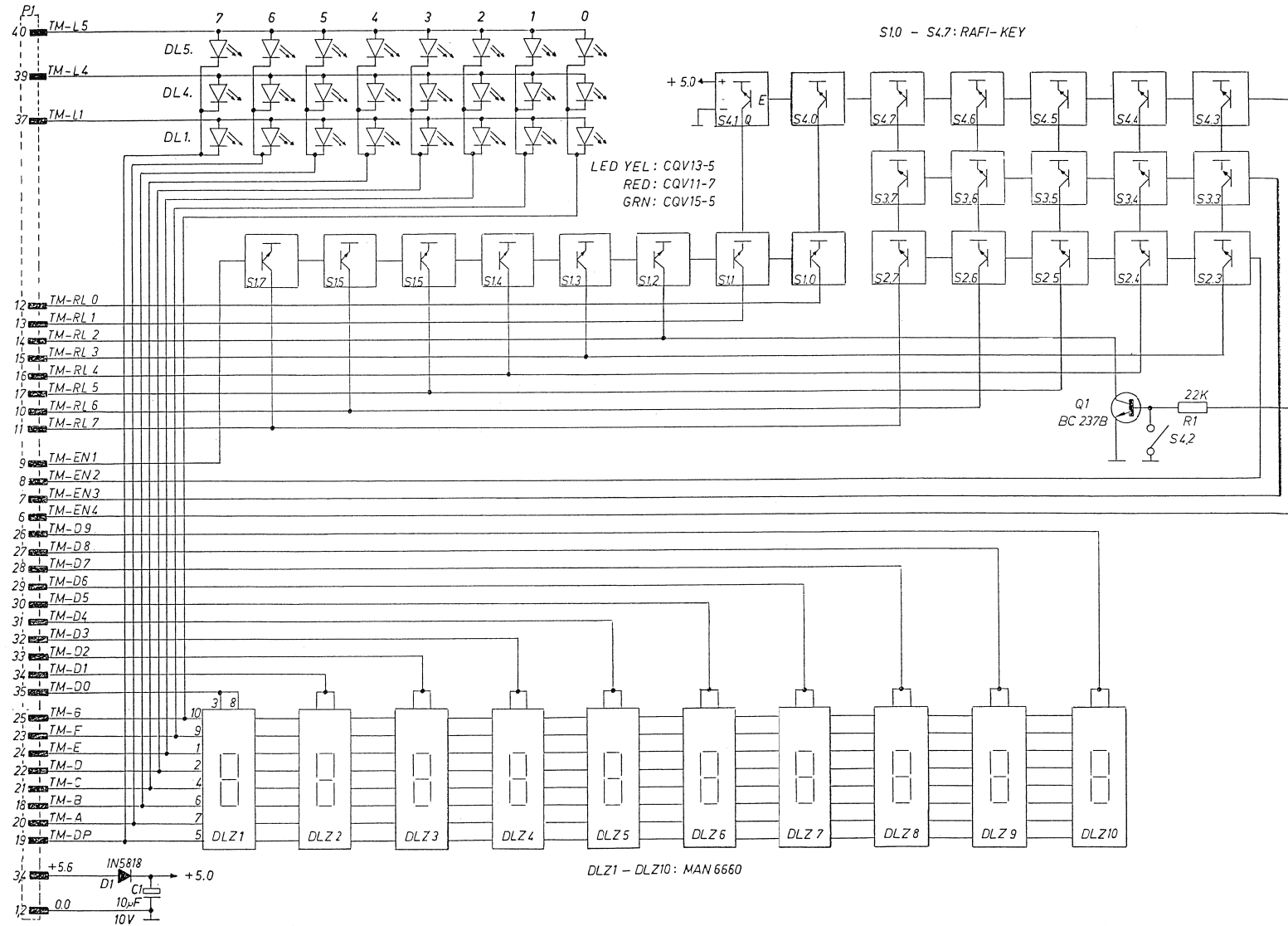
CAPSTAN CONTROL UNIT 1.862.764.20



Schilder 43.01.0108 und 1.010.004.xx aufgeklebt nach Fabrikationsmuster

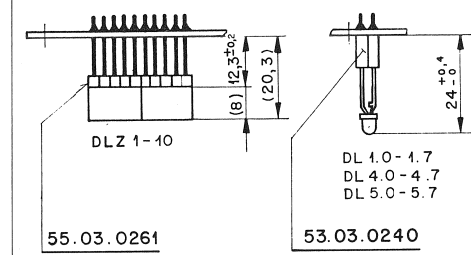
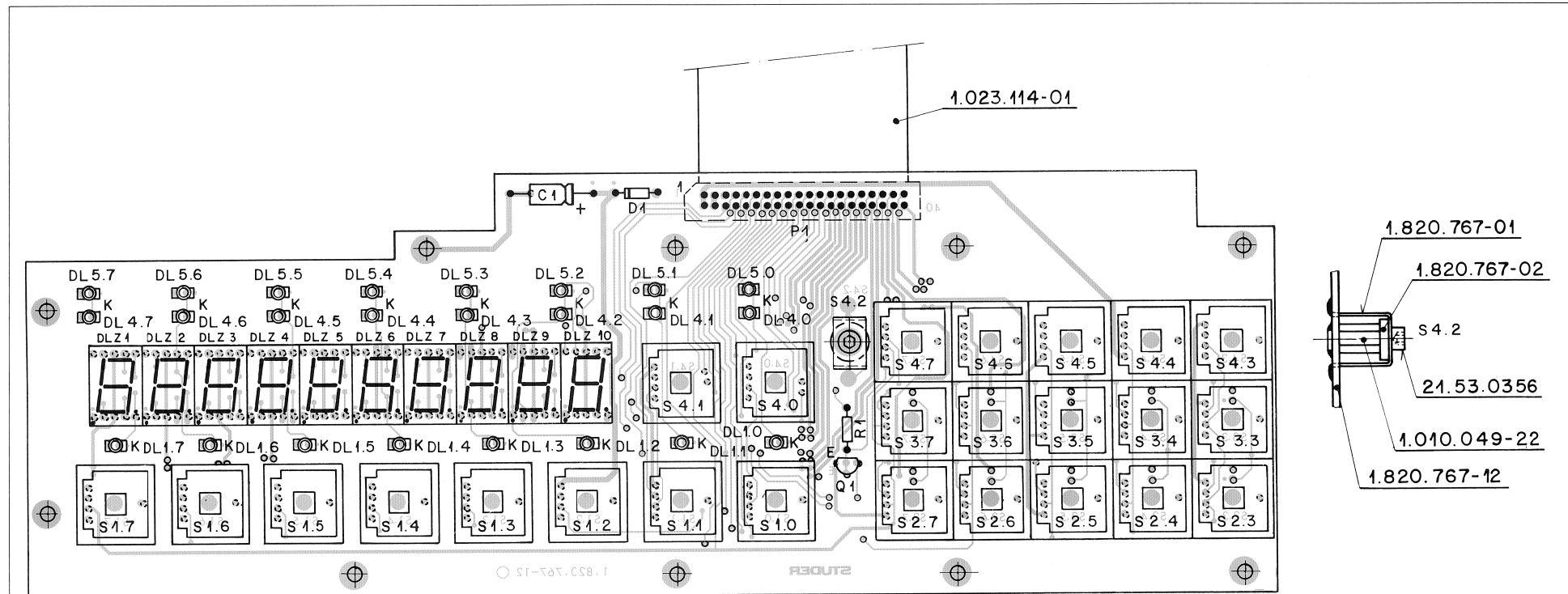
IND.	POS.NO.	PART NO.	VALUE	SPECIFICATIONS / EQUIVALENT	MANUF.
C....1		59.26.0470	47 uF	20%	6.3V Ph
C....2		59.06.0693	68 nF	20%	
C....3		59.06.0693	68 nF	20%	
C....4		59.32.2472	4.7 nF	10%	
C....5		59.06.0693	68 nF	20%	
C....6		59.32.2392	3.3 nF	10%	
C....7		59.06.0693	68 nF	20%	
C....8		59.06.0624	220 nF	5%	
C....9		59.06.0693	68 nF	20%	
C....10		59.45.4900	36 pF	1%	
C....11		59.05.1101	100 pF	1%	
C....12		59.06.0693	68 nF	20%	
C....13		59.06.0693	68 nF	20%	
C....14		59.06.0693	68 nF	20%	
C....15		59.06.0693	68 nF	20%	
C....16		59.06.0693	68 nF	20%	
C....17		59.06.0693	68 nF	20%	
C....18		59.06.0693	68 nF	20%	
(00) C....19		59.45.1150	15 pF	5%	SK
(00) C....20		59.45.1150	15 pF	5%	SK
C....21		59.32.4102	1 nF	20%	
C....22		59.06.0104	100 nF	10%	
C....23		59.06.0474	470 nF	10%	
C....24		59.06.0693	68 nF	20%	
D....1		50.04.0512	18 5618	18 5619	Met
D....2		50.04.0125	18 4448		ITT,Ph,See,II
D....3		50.04.0125	18 4448		ITT,Ph,See,II
D....4		50.04.0125	18 4448		ITT,Ph,See,II
IC....1		50.17.1540	74 HC 540		Ph,Mat,NS,RCA,To,II
IC....2		50.17.1541	74 HC 541		Ph,Mat,NS,RCA,To,II
IC....3		50.17.1245	74 HC 245		Met,Ph,RCA,To,II
IC....4		50.17.1098	74 HC 08		Ph,Mat,NS,RCA,To,II
IC....5		50.17.1074	74 HC 74		Ph,Mat,NS,RCA,To,II
S T U D E R (20) 90/01/12 VF CAPSTAN CONTROL UNIT PL 1.862.764.00 PAGE 1					
IND.	POS.NO.	PART NO.	VALUE	SPECIFICATIONS / EQUIVALENT	MANUF.
IC....6		50.17.1004	74 HC 04		Ph,Mat,NS,RCA,To,II
IC....7		50.17.1002	74 HC 02		Ph,Mat,NS,RCA,To,II
IC....8		50.06.0123	74 LS 123		Met,II
IC....9		50.17.1000	74 HC 00		Ph,Mat,NS,RCA,To,II
IC....10		50.17.1153	74 HC 153		Met,Ph,RCA,To,II
IC....11		50.17.0004	74 HC 04		Ph,NS,RCA
IC....12		50.17.1139	74 HC 139		Ph,Mat,NS,RCA,SGS,To,II
IC....13		50.07.0200	4820 IIC		Ph,FC
IC....14		50.17.1573	74 HC 573		Ph,Mat,NS,RCA,To,II
IC....15		50.14.0107	MSM5128-15		MSM5128-15
IC....16		50.16.0107	MS8008-L		MS8008-L
IC....17		50.14.0128	M 27128M1		M 27128M1
(20) IC....17		1.862.796.20			Software
IC....18		50.11.0122	TL750ACP		TL750ACP
JS....1		54.01.0020	Connector	Jumper unit see note 2	
JS....2		54.01.0020	Connector	Jumper unit see note 2	
JS....3		54.01.0020	Connector	Jumper unit see note 2	
TP....1		54.01.0020	Connector	1 contact	
TP....2		54.01.0020	Connector	1 contact	
TP....3		54.02.0020	Connector	1 contact, flat	
R....1		57.11.4321	220 Ohm	2%	
R....2		57.11.4103	10 kOhm	10%	
R....3		57.11.4332	13 kOhm	2%	
R....4		57.11.4332	3.3 kOhm	10%	
R....5		57.11.3912	5.1 kOhm	2%	
R....6		57.11.4332	3.3 kOhm	10%	
R....7		57.11.4332	3.3 kOhm	10%	
R....8		57.11.4471	470 Ohm	10%	
RZ....1		57.08.4103		Network B * 10 kOhm old part 1.010.014.57)	
RZ....2		57.08.4103		Network B * 10 kOhm old part 1.010.014.57)	
RZ....3		57.08.4103		Network B * 10 kOhm old part 1.010.014.57)	
RZ....4		57.08.4332		Network B * 3.3 kOhm	
RZ....5		57.08.4332		Network B * 3.3 kOhm	
S T U D E R (20) 90/01/12 VF CAPSTAN CONTROL UNIT PL 1.862.764.00 PAGE 2					
IND.	POS.NO.	PART NO.	VALUE	SPECIFICATIONS / EQUIVALENT	MANUF.
RZ....6		57.08.4103		Network B * 10 kOhm old part 1.010.014.57)	
RZ....7		57.08.4332		Network B * 3.3 kOhm	
S....1		25.03.0122		Switch impulse. see note 3	
(00) Y....1		89.01.0553		4.9152 MHz. TD18	
Y....1		89.01.0560		4.9152 MHz. +- 20 ppm.	
(20) 12.01.90 Software					
Note 1 - IC 17 for Software					
Studer 50.14.0125					
Ph,II 27128-30					
Hitachi NR 4827128 8-25/NR 4827128 8-30					
Intel 27128 2500s					
Note 2 - JS1 - JS3 2x Contact pin 54.01.0020					
Contact pin: Studer 54.01.0020					
Nepg 75 160-192-36					
Philips 2422 025 09303					
Ridge: Studer 54.01.0021					
Nepg 65 474-001					
Philips 2422 024 88003					
Note 3 - Switch impulse: Chicago Switch 34-550-001					
MANUFACTURERS: Fo=Fairchild, ITT=International, Hit=Hitachi, Met=Motorola, NS=National, Sem=Semiconductor, DE=DEI Semiconductor, Ph=Philips, RCA=RCA Corporation of America, See=Seecon, SGS=SGS-Aesa, St=Studer, TI=Texas Instruments, Te=Teconline.					
DR16 90/01/12 (20) 90/01/12					
S T U D E R (20) 90/01/12 VF CAPSTAN CONTROL UNIT PL 1.862.764.00 PAGE 3					

PUSHBUTTON/DISPLAY BOARD 1.862.767.00



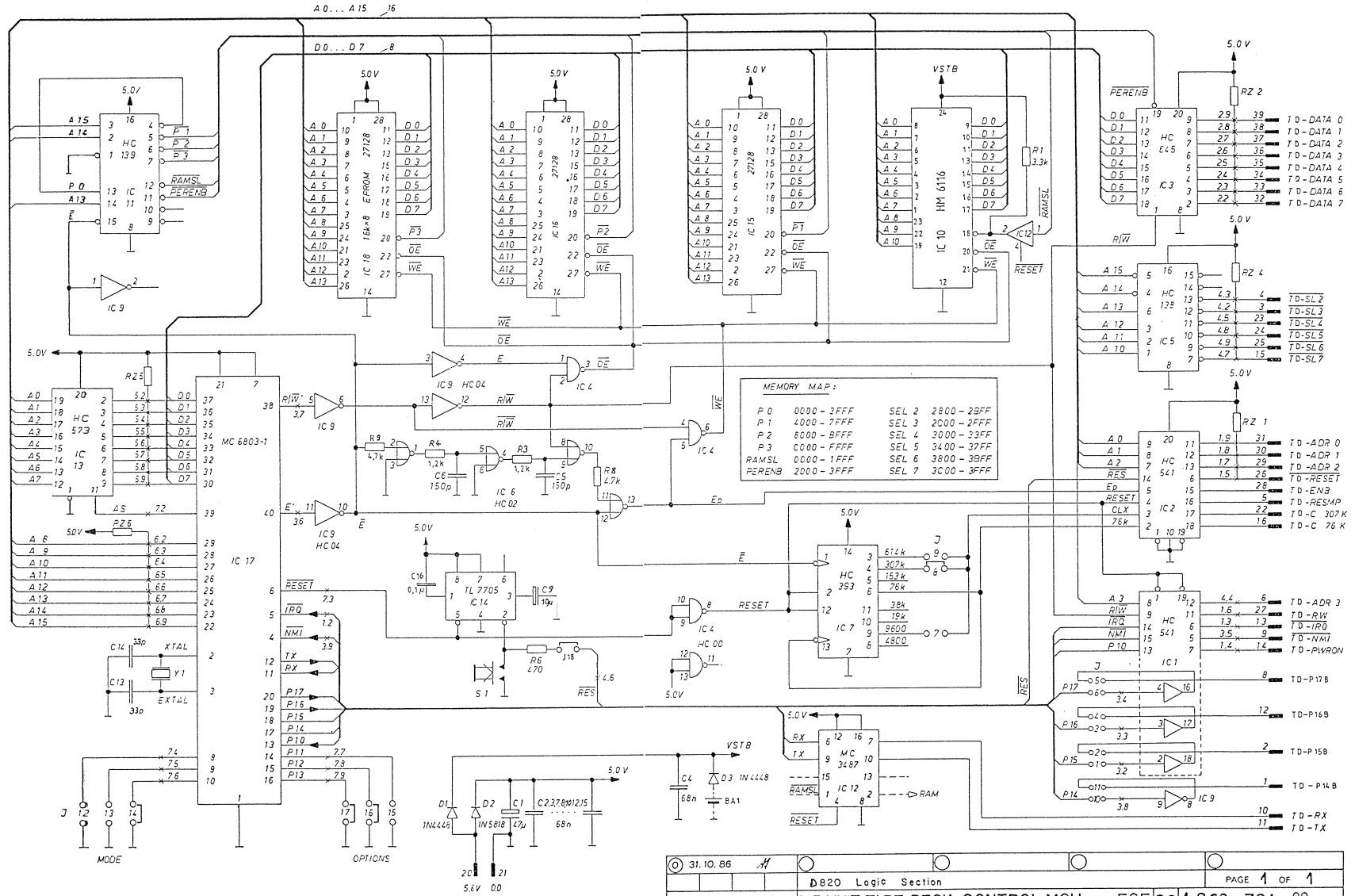
2811.84. RSUTER	D 820 Command Section	SC 1.862.767.00	PAGE 1 OF 1
STUDER		Push Button / Display PCB	

PUSHBUTTON/DISPLAY BOARD 1.862.767.00



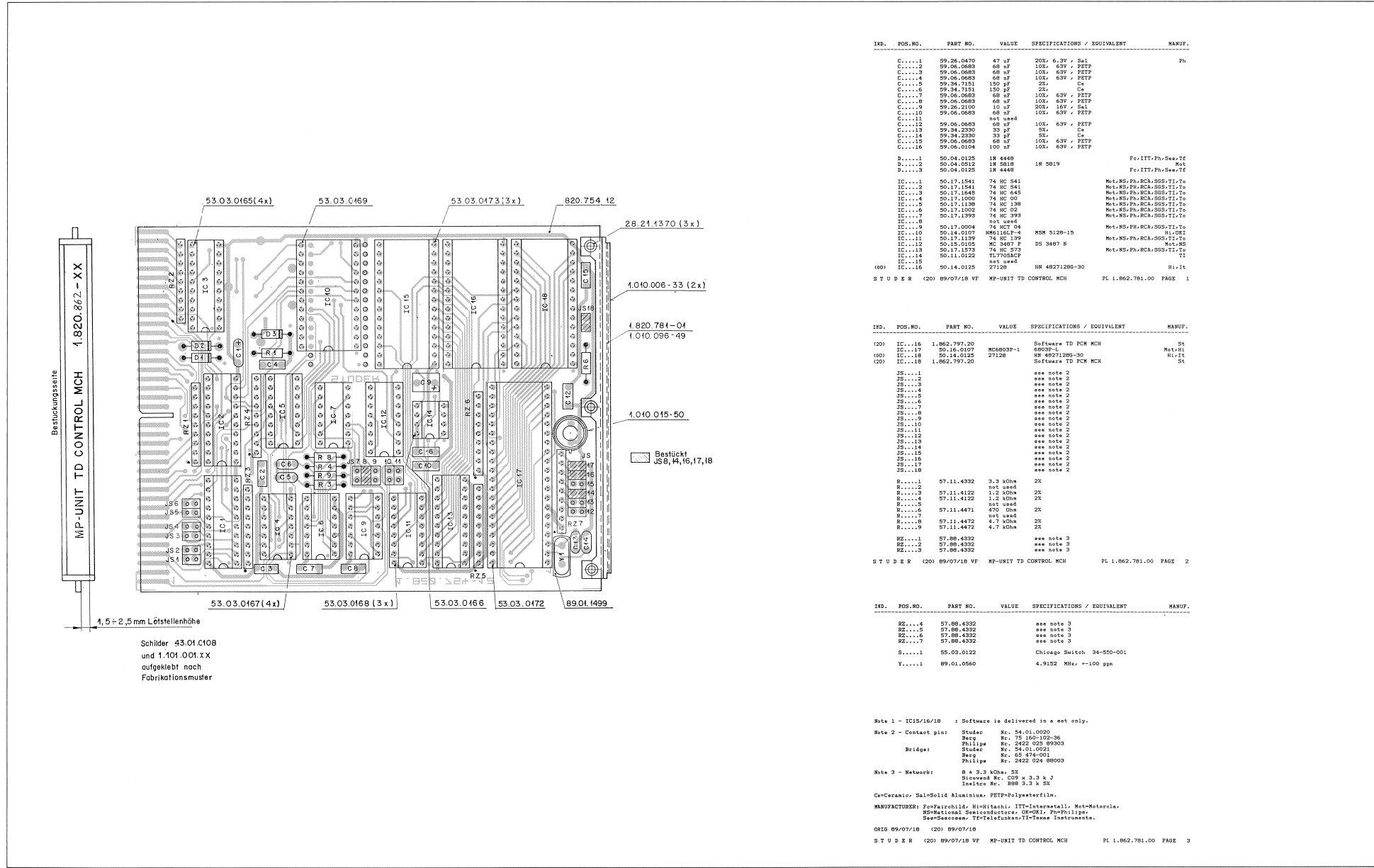
IND.	POS.NO.	PART NO.	VALUE	SPECIFICATIONS / EQUIVALENT	MANUF.	IND.	POS.NO.	PART NO.	VALUE	SPECIFICATIONS / EQUIVALENT	MANUF.	IND.	POS.NO.	PART NO.	VALUE	SPECIFICATIONS / EQUIVALENT	MANUF.
C...	1	59.25.4100	10 uF	-20%, 25V, E1		DLZ...	9	73.01.0124	NAR 6660	7-Segments, Red, Brightness "0"	GI	S...	4.7	55.03.0261	TTL-switch	1 x CC, Refi Nr. 3.13001.110	
D...	1	50.04.0512	1W 5818	1W 5818	Net	DLZ...	10	73.01.0124	NAR 6660	7-Segments, Red, Brightness "0"	GI						
DL...	1.0	50.04.2130	CDV 13-7	LED, Yellow	Sie	P...	1	1.023.114.01		Flat cable 40 poles, see note 1	St						
DL...	1.1	50.04.2130	CDV 13-7	LED, Yellow	Sie	O...	1	50.03.0436	BC 237 B	BC 547 B, BC 550 B	ITT/Mot.Ph.Sie						
DL...	1.2	50.04.2130	CDV 13-7	LED, Yellow	Sie	R...	1	57.11.4223	22 kohm	2K							
DL...	1.3	50.04.2130	CDV 13-7	LED, Yellow	Sie	S...	1.0	55.03.0261	TTL-switch	1 x CC, Refi Nr. 3.13001.110							
DL...	1.4	50.04.2130	CDV 13-7	LED, Yellow	Sie	S...	1.1	55.03.0261	TTL-switch	1 x CC, Refi Nr. 3.13001.110							
DL...	1.5	50.04.2130	CDV 13-7	LED, Yellow	Sie	S...	1.2	55.03.0261	TTL-switch	1 x CC, Refi Nr. 3.13001.110							
DL...	1.6	50.04.2130	CDV 13-7	LED, Yellow	Sie	S...	1.3	55.03.0261	TTL-switch	1 x CC, Refi Nr. 3.13001.110							
DL...	1.7	50.04.2130	CDV 13-7	LED, Yellow	Sie	S...	1.4	55.03.0261	TTL-switch	1 x CC, Refi Nr. 3.13001.110							
DL...	1.8	50.04.2130	CDV 13-7	LED, Yellow	Sie	S...	1.5	55.03.0261	TTL-switch	1 x CC, Refi Nr. 3.13001.110							
DL...	1.9	50.04.2131	CDV 13-7	LED, Green, CDV 15-6	Sie	S...	1.6	55.03.0261	TTL-switch	1 x CC, Refi Nr. 3.13001.110							
DL...	4.0	50.04.2129	CDV 13-7	LED, Red	Sie	S...	1.7	55.03.0261	TTL-switch	1 x CC, Refi Nr. 3.13001.110							
DL...	4.1	50.04.2131	CDV 13-7	LED, Green, CDV 15-6	Sie	S...	1.8	55.03.0261	TTL-switch	1 x CC, Refi Nr. 3.13001.110							
DL...	4.2	50.04.2129	CDV 13-7	LED, Red	Sie	S...	1.9	55.03.0261	TTL-switch	1 x CC, Refi Nr. 3.13001.110							
DL...	4.3	50.04.2129	CDV 13-7	LED, Red	Sie	S...	2.0	55.03.0261	TTL-switch	1 x CC, Refi Nr. 3.13001.110							
DL...	4.4	50.04.2130	CDV 13-7	LED, Yellow	Sie	S...	2.1	55.03.0261	TTL-switch	1 x CC, Refi Nr. 3.13001.110							
DL...	4.5	50.04.2130	CDV 13-7	LED, Yellow	Sie	S...	2.2	55.03.0261	TTL-switch	1 x CC, Refi Nr. 3.13001.110							
DL...	4.6	50.04.2130	CDV 13-7	LED, Yellow	Sie	S...	2.3	55.03.0261	TTL-switch	1 x CC, Refi Nr. 3.13001.110							
DL...	4.7	50.04.2130	CDV 13-7	LED, Yellow	Sie	S...	2.4	55.03.0261	TTL-switch	1 x CC, Refi Nr. 3.13001.110							
DL...	4.8	50.04.2129	CDV 13-7	LED, Red	Sie	S...	2.5	55.03.0261	TTL-switch	1 x CC, Refi Nr. 3.13001.110							
DL...	4.9	50.04.2131	CDV 13-7	LED, Green, CDV 15-6	Sie	S...	2.6	55.03.0261	TTL-switch	1 x CC, Refi Nr. 3.13001.110							
DL...	5.0	50.04.2130	CDV 13-7	LED, Yellow	Sie	S...	2.7	55.03.0261	TTL-switch	1 x CC, Refi Nr. 3.13001.110							
DL...	5.1	50.04.2130	CDV 13-7	LED, Yellow	Sie	S...	2.8	55.03.0261	TTL-switch	1 x CC, Refi Nr. 3.13001.110							
DL...	5.2	50.04.2130	CDV 13-7	LED, Yellow	Sie	S...	2.9	55.03.0261	TTL-switch	1 x CC, Refi Nr. 3.13001.110							
DL...	5.3	50.04.2130	CDV 13-7	LED, Yellow	Sie	S...	3.0	55.03.0261	TTL-switch	1 x CC, Refi Nr. 3.13001.110							
DL...	5.4	50.04.2130	CDV 13-7	LED, Yellow	Sie	S...	3.1	55.03.0261	TTL-switch	1 x CC, Refi Nr. 3.13001.110							
DL...	5.5	50.04.2129	CDV 13-7	LED, Red	Sie	S...	3.2	55.03.0261	TTL-switch	1 x CC, Refi Nr. 3.13001.110							
DL...	5.6	50.04.2129	CDV 13-7	LED, Red	Sie	S...	3.3	55.03.0261	TTL-switch	1 x CC, Refi Nr. 3.13001.110							
DL...	5.7	50.04.2130	CDV 13-7	LED, Yellow	Sie	S...	3.4	55.03.0261	TTL-switch	1 x CC, Refi Nr. 3.13001.110							
DLZ...	1	73.01.0124	NAR 6660	7-Segments, Red, Brightness "0"	GI	S...	4.1	55.03.0261	TTL-switch	1 x CC, Refi Nr. 3.13001.110							
DLZ...	2	73.01.0124	NAR 6660	7-Segments, Red, Brightness "0"	GI	S...	4.2	1.820.767.01	Insulator Sleeve								
DLZ...	3	73.01.0124	NAR 6660	7-Segments, Red, Brightness "0"	GI	S...	4.3	1.015.049.22	Rivet nut								
DLZ...	4	73.01.0124	NAR 6660	7-Segments, Red, Brightness "0"	GI	S...	4.4	21.53.0371	Spacer x 3 x 14								
DLZ...	5	73.01.0124	NAR 6660	7-Segments, Red, Brightness "0"	GI	S...	4.5	55.03.0261	TTL-switch	1 x CC, Refi Nr. 3.13001.110							
DLZ...	6	73.01.0124	NAR 6660	7-Segments, Red, Brightness "0"	GI	S...	4.6	55.03.0261	TTL-switch	1 x CC, Refi Nr. 3.13001.110							
DLZ...	7	73.01.0124	NAR 6660	7-Segments, Red, Brightness "0"	GI	S...	4.7	55.03.0261	TTL-switch	1 x CC, Refi Nr. 3.13001.110							
DLZ...	8	73.01.0124	NAR 6660	7-Segments, Red, Brightness "0"	GI	S...	4.8	55.03.0261	TTL-switch	1 x CC, Refi Nr. 3.13001.110							

MPU TAPE DECK CONTROL 1.862.781.20



31.10.86	DB20 Logic Section	PAGE 1 OF 1
STUDER MPU UNIT TAPE DECK CONTROL MCH		ESE SC 1.862.781.20 & up

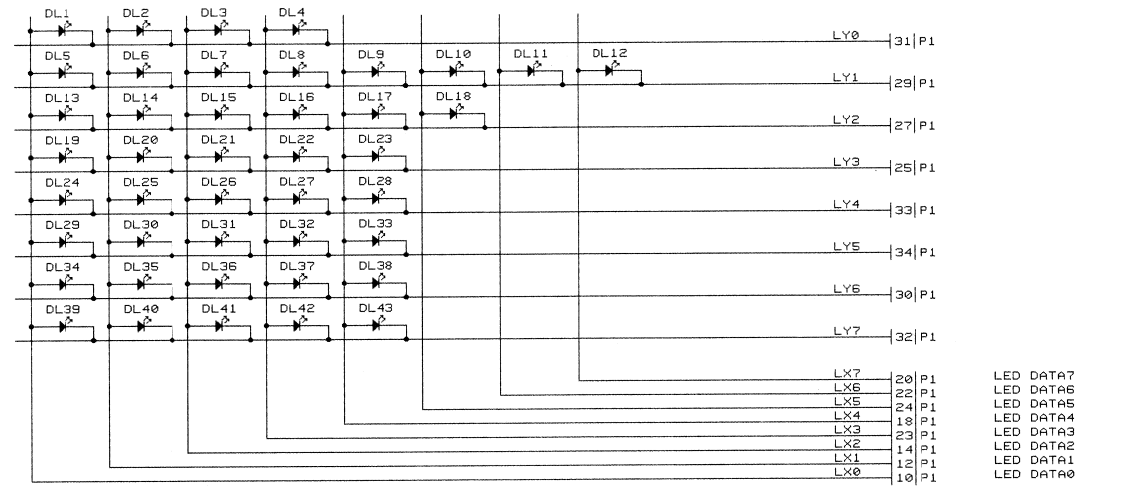
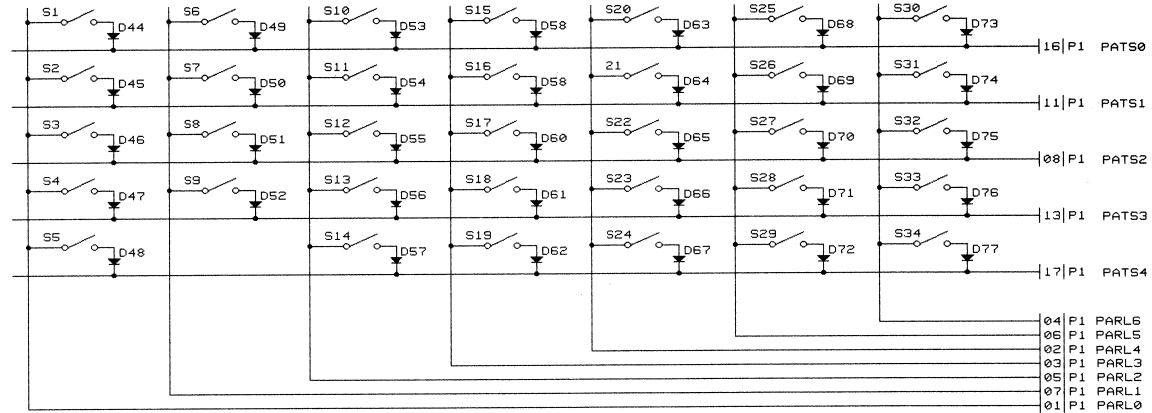
MPU TAPE DECK CONTROL 1.862.781.20



STUDER D820 MCH

CR AUX KEYS 1.328.601.00

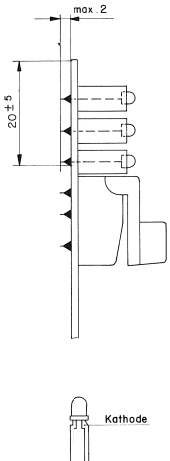
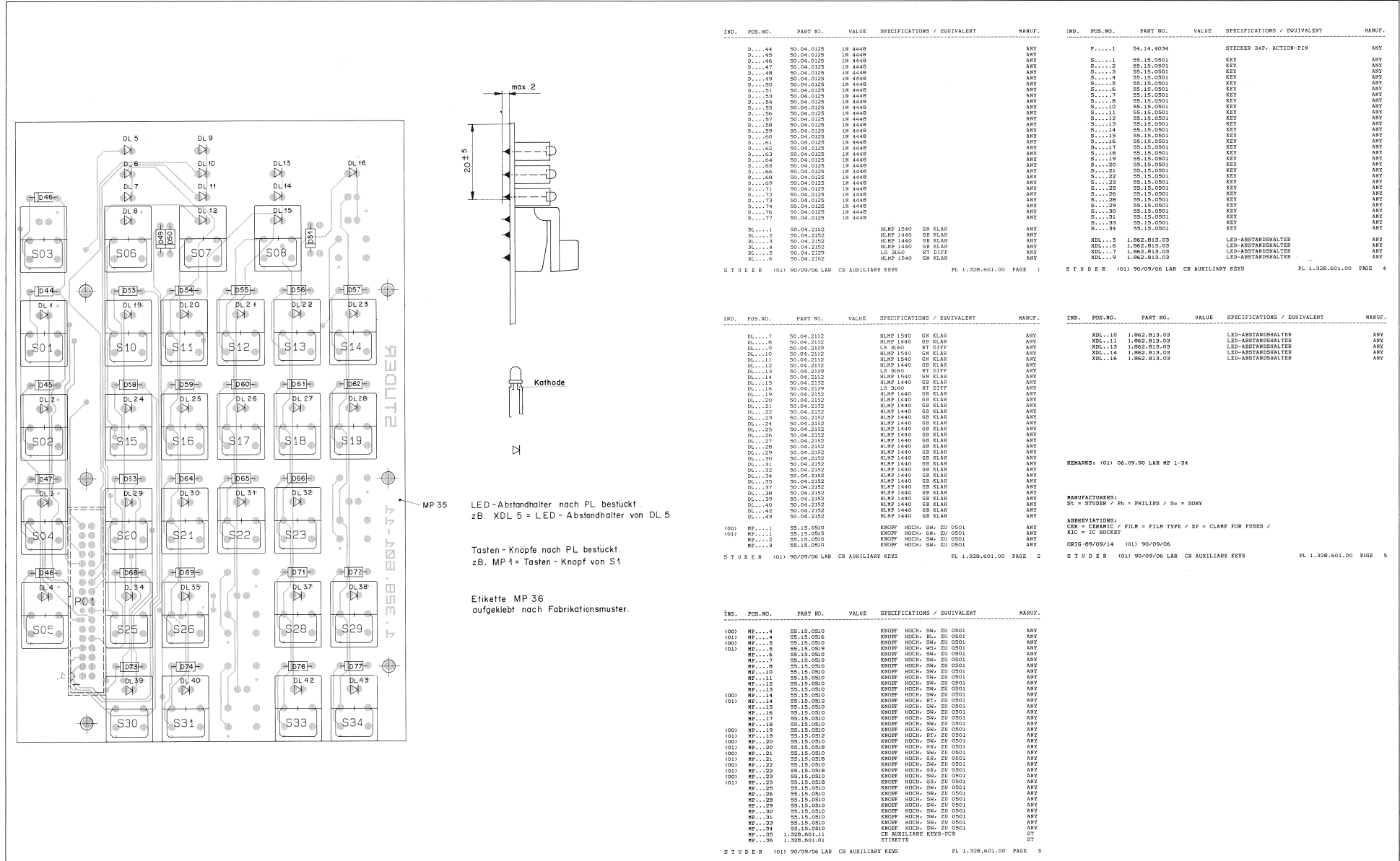
FUNCTIONAL PARTS ASSIGNMENT			
FUNCTION	LED	NR	KEY
NAME	NR	COLOR	NR
ALL		YELLOW	S03
ALL READY	DL01	GREEN	S01
ALL SAFE	DL02	YELLOW	S02
ALL INPUT	DL03	YELLOW	S04
ALL REPRO	DL04	YELLOW	S05
CUE1			S06
CUE2			S07
TC			S08
CUE1/REC	DL05	RED	
CUE1/AREC	DL06	GREEN	
CUE1/READ	DL07	GREEN	
CUE1/SAFE	DL08	YELLOW	
CUE2/REC	DL09	RED	
CUE2/AREC	DL10	GREEN	
CUE2/READ	DL11	GREEN	
CUE2/SAFE	DL12	YELLOW	
TC/REC	DL13	RED	
TC/READY	DL14	GREEN	
TC/SAFE	DL15	YELLOW	
RT/REC	DL16	RED	
GROUP1	DL19	YELLOW	S10
GROUP2	DL20	YELLOW	S11
GROUP3	DL21	YELLOW	S12
GROUP4	DL22	YELLOW	S13
SET	DL23	YELLOW	S14
SETUP1	DL24	YELLOW	S15
SETUP2	DL25	YELLOW	S16
SETUP3	DL26	YELLOW	S17
SETUP4	DL27	YELLOW	S18
STORE	DL28	YELLOW	S19
USER1	DL29	YELLOW	S20
USER2	DL30	YELLOW	S21
USER3	DL31	YELLOW	S22
USER4	DL32	YELLOW	S23
PING PONG	DL34	YELLOW	S25
MAST SAFE	DL35	YELLOW	S26
AUTO INP	DL37	YELLOW	S28
AUTO MUTE	DL38	YELLOW	S29
EMPH IND	DL39	YELLOW	S30
EMPH ALL	DL40	YELLOW	S31
CH ON	DL42	YELLOW	S33
CH OFF	DL43	YELLOW	S34



LED DATA7
LED DATA6
LED DATA5
LED DATA4
LED DATA3
LED DATA2
LED DATA1
LED DATA0

24.01.89/MB	27.04.89/SO		
D820MCH CHANNEL REMOTE			PAGE 1 OF 1
STUDER	CR AUXILIARY KEYS	SC	1.328.601-00

CR AUX KEYS 1.328.601.00



LED-Abstandhalter nach PL bestückt.
z.B. XDL 5 = LED-Abstandhalter von DL 5

Tasten-Knöpfe nach PL bestückt.
z.B. MP 1 = Tasten-Knopf von S 1

Etikette MP 36
aufgeklebt nach Fabrikationsmuster.

IND.	POS.NO.	PART NO.	VALUE	SPECIFICATIONS / EQUIVALENT	MANUF.
D...	44	50.04.0125	1N 444B		ARY
D...	45	50.04.0125	1N 444B		ARY
D...	46	50.04.0125	1N 444B		ARY
D...	47	50.04.0125	1N 444B		ARY
D...	48	50.04.0125	1N 444B		ARY
D...	49	50.04.0125	1N 444B		ARY
D...	50	50.04.0125	1N 444B		ARY
D...	51	50.04.0125	1N 444B		ARY
D...	52	50.04.0125	1N 444B		ARY
D...	53	50.04.0125	1N 444B		ARY
D...	54	50.04.0125	1N 444B		ARY
D...	55	50.04.0125	1N 444B		ARY
D...	56	50.04.0125	1N 444B		ARY
D...	57	50.04.0125	1N 444B		ARY
D...	58	50.04.0125	1N 444B		ARY
D...	59	50.04.0125	1N 444B		ARY
D...	60	50.04.0125	1N 444B		ARY
D...	61	50.04.0125	1N 444B		ARY
D...	62	50.04.0125	1N 444B		ARY
D...	63	50.04.0125	1N 444B		ARY
D...	64	50.04.0125	1N 444B		ARY
D...	65	50.04.0125	1N 444B		ARY
D...	66	50.04.0125	1N 444B		ARY
D...	67	50.04.0125	1N 444B		ARY
D...	68	50.04.0125	1N 444B		ARY
D...	69	50.04.0125	1N 444B		ARY
D...	70	50.04.0125	1N 444B		ARY
D...	71	50.04.0125	1N 444B		ARY
D...	72	50.04.0125	1N 444B		ARY
D...	73	50.04.0125	1N 444B		ARY
D...	74	50.04.0125	1N 444B		ARY
D...	75	50.04.0125	1N 444B		ARY
D...	76	50.04.0125	1N 444B		ARY
D...	77	50.04.0125	1N 444B		ARY
DL...	1	50.04.2152	HLMP 1540	GR KLAR	ARY
DL...	2	50.04.2152	HLMP 1440	GR KLAR	ARY
DL...	3	50.04.2152	HLMP 1440	GR KLAR	ARY
DL...	4	50.04.2152	LS 3160	RT DIFF	ARY
DL...	5	50.04.2152	LS 3160	RT DIFF	ARY
DL...	6	50.04.2152	HLMP 1540	GR KLAR	ARY

STUDER (01) 90/09/06 LAR CR AUXILIARY KEYS PL 1.328.601.00 PAGE 1

IND.	POS.NO.	PART NO.	VALUE	SPECIFICATIONS / EQUIVALENT	MANUF.
F...	1	54.14.4034		STECCKER 34P, ACTION-FIM	ARY
S...	1	55.15.0501		KEY	ARY
S...	2	55.15.0501		KEY	ARY
S...	3	55.15.0501		KEY	ARY
S...	4	55.15.0501		KEY	ARY
S...	5	55.15.0501		KEY	ARY
S...	6	55.15.0501		KEY	ARY
S...	7	55.15.0501		KEY	ARY
S...	8	55.15.0501		KEY	ARY
S...	9	55.15.0501		KEY	ARY
S...	10	55.15.0501		KEY	ARY
S...	11	55.15.0501		KEY	ARY
S...	12	55.15.0501		KEY	ARY
S...	13	55.15.0501		KEY	ARY
S...	14	55.15.0501		KEY	ARY
S...	15	55.15.0501		KEY	ARY
S...	16	55.15.0501		KEY	ARY
S...	17	55.15.0501		KEY	ARY
S...	18	55.15.0501		KEY	ARY
S...	19	55.15.0501		KEY	ARY
S...	20	55.15.0501		KEY	ARY
S...	21	55.15.0501		KEY	ARY
S...	22	55.15.0501		KEY	ARY
S...	23	55.15.0501		KEY	ARY
S...	24	55.15.0501		KEY	ARY
S...	25	55.15.0501		KEY	ARY
S...	26	55.15.0501		KEY	ARY
S...	27	55.15.0501		KEY	ARY
S...	28	55.15.0501		KEY	ARY
S...	29	55.15.0501		KEY	ARY
S...	30	55.15.0501		KEY	ARY
S...	31	55.15.0501		KEY	ARY
S...	32	55.15.0501		KEY	ARY
S...	33	55.15.0501		KEY	ARY
XDL...	5	1.862.013.03		LED-ABSTANDSHALTER	ARY
XDL...	6	1.862.013.03		LED-ABSTANDSHALTER	ARY
XDL...	7	1.862.013.03		LED-ABSTANDSHALTER	ARY
XDL...	8	1.862.013.03		LED-ABSTANDSHALTER	ARY

STUDER (01) 90/09/06 LAR CR AUXILIARY KEYS PL 1.328.601.00 PAGE 4

IND.	POS.NO.	PART NO.	VALUE	SPECIFICATIONS / EQUIVALENT	MANUF.
DL...	7	50.04.2152	HLMP 1540	GR KLAR	ARY
DL...	8	50.04.2152	HLMP 1440	GR KLAR	ARY
DL...	9	50.04.2152	LS 3160	RT DIFF	ARY
DL...	10	50.04.2152	HLMP 1540	GR KLAR	ARY
DL...	11	50.04.2152	HLMP 1540	GR KLAR	ARY
DL...	12	50.04.2152	HLMP 1440	GR KLAR	ARY
DL...	13	50.04.2152	LS 3160	RT DIFF	ARY
DL...	14	50.04.2152	HLMP 1540	GR KLAR	ARY
DL...	15	50.04.2152	HLMP 1440	GR KLAR	ARY
DL...	16	50.04.2152	LS 3160	RT DIFF	ARY
DL...	17	50.04.2152	HLMP 1440	GR KLAR	ARY
DL...	18	50.04.2152	HLMP 1440	GR KLAR	ARY
DL...	19	50.04.2152	HLMP 1440	GR KLAR	ARY
DL...	20	50.04.2152	HLMP 1440	GR KLAR	ARY
DL...	21	50.04.2152	HLMP 1440	GR KLAR	ARY
DL...	22	50.04.2152	HLMP 1440	GR KLAR	ARY
DL...	23	50.04.2152	HLMP 1440	GR KLAR	ARY
DL...	24	50.04.2152	HLMP 1440	GR KLAR	ARY
DL...	25	50.04.2152	HLMP 1440	GR KLAR	ARY
DL...	26	50.04.2152	HLMP 1440	GR KLAR	ARY
DL...	27	50.04.2152	HLMP 1440	GR KLAR	ARY
DL...	28	50.04.2152	HLMP 1440	GR KLAR	ARY
DL...	29	50.04.2152	HLMP 1440	GR KLAR	ARY
DL...	30	50.04.2152	HLMP 1440	GR KLAR	ARY
DL...	31	50.04.2152	HLMP 1440	GR KLAR	ARY
DL...	32	50.04.2152	HLMP 1440	GR KLAR	ARY
DL...	33	50.04.2152	HLMP 1440	GR KLAR	ARY
DL...	34	50.04.2152	HLMP 1440	GR KLAR	ARY
DL...	35	50.04.2152	HLMP 1440	GR KLAR	ARY
DL...	36	50.04.2152	HLMP 1440	GR KLAR	ARY
DL...	37	50.04.2152	HLMP 1440	GR KLAR	ARY
DL...	38	50.04.2152	HLMP 1440	GR KLAR	ARY
DL...	39	50.04.2152	HLMP 1440	GR KLAR	ARY
DL...	40	50.04.2152	HLMP 1440	GR KLAR	ARY
DL...	41	50.04.2152	HLMP 1440	GR KLAR	ARY
DL...	42	50.04.2152	HLMP 1440	GR KLAR	ARY
DL...	43	50.04.2152	HLMP 1440	GR KLAR	ARY
MP...	1	55.15.0501	KROFF	HOCH, SW, ZU OS01	ARY
MP...	2	55.15.0501	KROFF	HOCH, SW, ZU OS01	ARY
MP...	3	55.15.0501	KROFF	HOCH, SW, ZU OS01	ARY

STUDER (01) 90/09/06 LAR CR AUXILIARY KEYS PL 1.328.601.00 PAGE 2

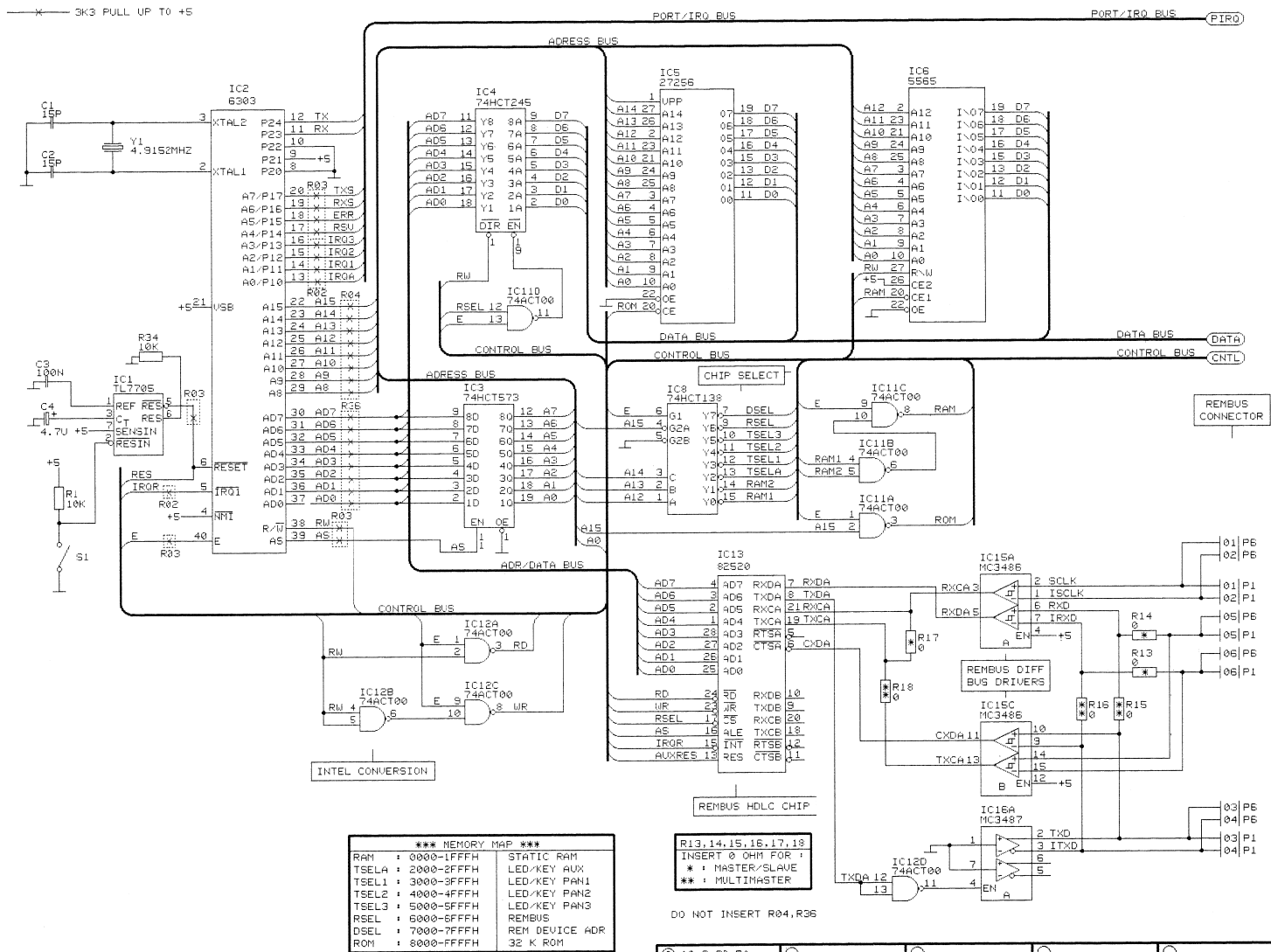
IND.	POS.NO.	PART NO.	VALUE	SPECIFICATIONS / EQUIVALENT	MANUF.
XDL...	10	1.862.013.03		LED-ABSTANDSHALTER	ARY
XDL...	11	1.862.013.03		LED-ABSTANDSHALTER	ARY
XDL...	12	1.862.013.03		LED-ABSTANDSHALTER	ARY
XDL...	13	1.862.013.03		LED-ABSTANDSHALTER	ARY
XDL...	14	1.862.013.03		LED-ABSTANDSHALTER	ARY
XDL...	15	1.862.013.03		LED-ABSTANDSHALTER	ARY
REMARKS:	(01)	06.09.90	LAR MP 1-34		
MANUFACTURERS:			St = STUDER / Ph = PHILIPS / So = SONY		
ABBREVIATIONS:			CER = CERAMIC / FILM = FILM TYPE / XF = CLAMP FOR FUSES /		
			XIC = IC SOCKET		
CRIG:	05/09/14	(01)	90/09/06		

STUDER (01) 90/09/06 LAR CR AUXILIARY KEYS PL 1.328.601.00 PAGE 5

IND.	POS.NO.	PART NO.	VALUE	SPECIFICATIONS / EQUIVALENT	MANUF.
MP...	4	55.15.0501	KROFF	HOCH, SW, ZU OS01	ARY
MP...	5	55.15.0501	KROFF	HOCH, SW, ZU OS01	ARY
MP...	6	55.15.0501	KROFF	HOCH, SW, ZU OS01	ARY
MP...	7	55.15.0501	KROFF	HOCH, SW, ZU OS01	ARY
MP...	8	55.15.0501	KROFF	HOCH, SW, ZU OS01	ARY
MP...	9	55.15.0501	KROFF	HOCH, SW, ZU OS01	ARY
MP...	10	55.15.0501	KROFF	HOCH, SW, ZU OS01	ARY
MP...	11	55.15.0501	KROFF	HOCH, SW, ZU OS01	ARY
MP...	12	55.15.0501	KROFF	HOCH, SW, ZU OS01	ARY
MP...	13	55.15.0501	KROFF	HOCH, SW, ZU OS01	ARY
MP...	14	55.15.0501	KROFF	HOCH, SW, ZU OS01	ARY
MP...	15	55.15.0501	KROFF	HOCH, SW, ZU OS01	ARY
MP...	16	55.15.0501	KROFF	HOCH, SW, ZU OS01	ARY
MP...	17	55.15.0501	KROFF	HOCH, SW, ZU OS01	ARY
MP...	18	55.15.0501	KROFF	HOCH, SW, ZU OS01	ARY
MP...	19	55.15.0501	KROFF	HOCH, SW, ZU OS01	ARY
MP...	20	55.15.0501	KROFF	HOCH, SW, ZU OS01	ARY
MP...	21	55.15.0501	KROFF	HOCH, SW, ZU OS01	ARY
MP...	22	55.15.0501	KROFF	HOCH, SW, ZU OS01	ARY
MP...	23	55.15.0501	KROFF	HOCH, SW, ZU OS01	ARY
MP...	24	55.15.0501	KROFF	HOCH, SW, ZU OS01	ARY
MP...	25	55.15.0501	KROFF	HOCH, SW, ZU OS01	ARY
MP...	26	55.15.0501	KROFF	HOCH, SW, ZU OS01	ARY
MP...	27	55.15.0501	KROFF	HOCH, SW, ZU OS01	ARY
MP...	28	55.15.0501	KROFF	HOCH, SW, ZU OS01	ARY
MP...	29	55.15.0501	KROFF	HOCH, SW, ZU OS01	ARY
MP...	30	55.15.0501	KROFF	HOCH, SW, ZU OS01	ARY
MP...	31	55.15.0501	KROFF	HOCH, SW, ZU OS01	ARY
MP...	32	55.15.0501	KROFF	HOCH, SW, ZU OS01	ARY
MP...	33	55.15.0501	KROFF	HOCH, SW, ZU OS01	ARY
MP...	34	55.15.0501	KROFF	HOCH, SW, ZU OS01	ARY
MP...	35	1.328.601.11		CR AUXILIARY KEYS-PCB	ARY
MP...	36	1.328.601.01		ETIKETTE	ARY

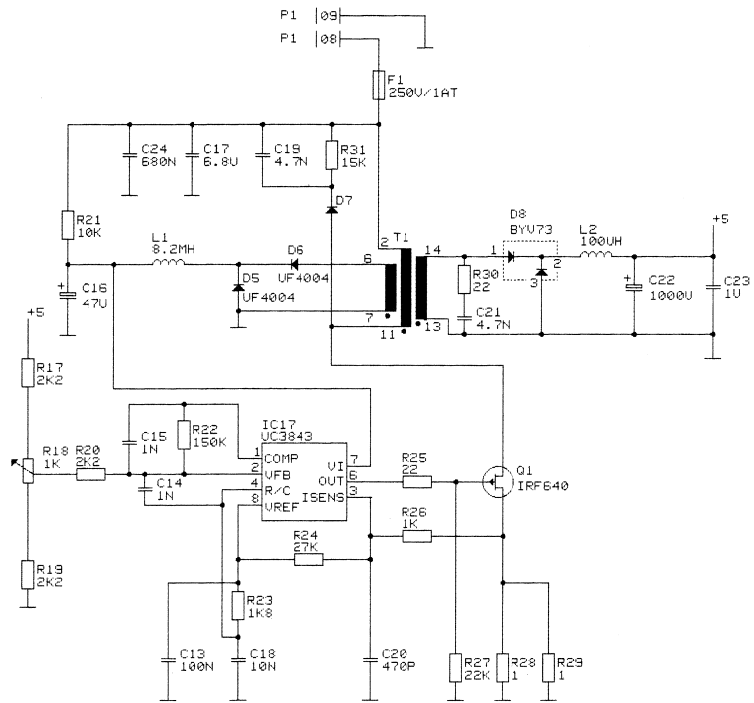
STUDER (01) 90/09/06 LAR CR AUXILIARY KEYS PL 1.328.601.00 PAGE 3

CR REMBUS & PROCESSOR 1.328.602.21



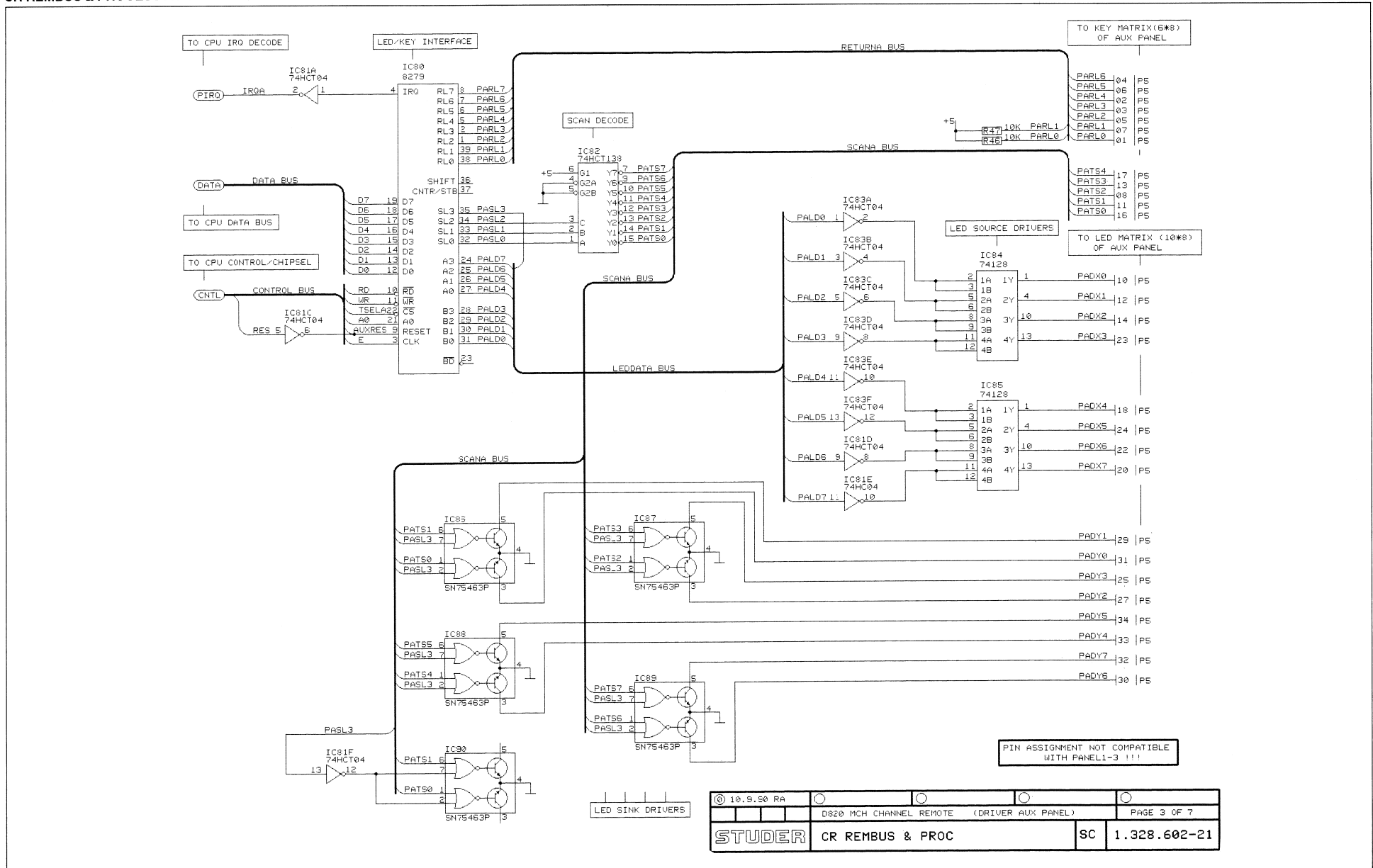
© 10.8.90 RA	D820 MCH CHANNEL REMOTE (CPU & REMBUS)	PAGE 1 OF 7
STUDER	CR REMBUS & PROC	SC 1.328.602-21

CR REMBUS & PROCESSOR 1.328.602.21



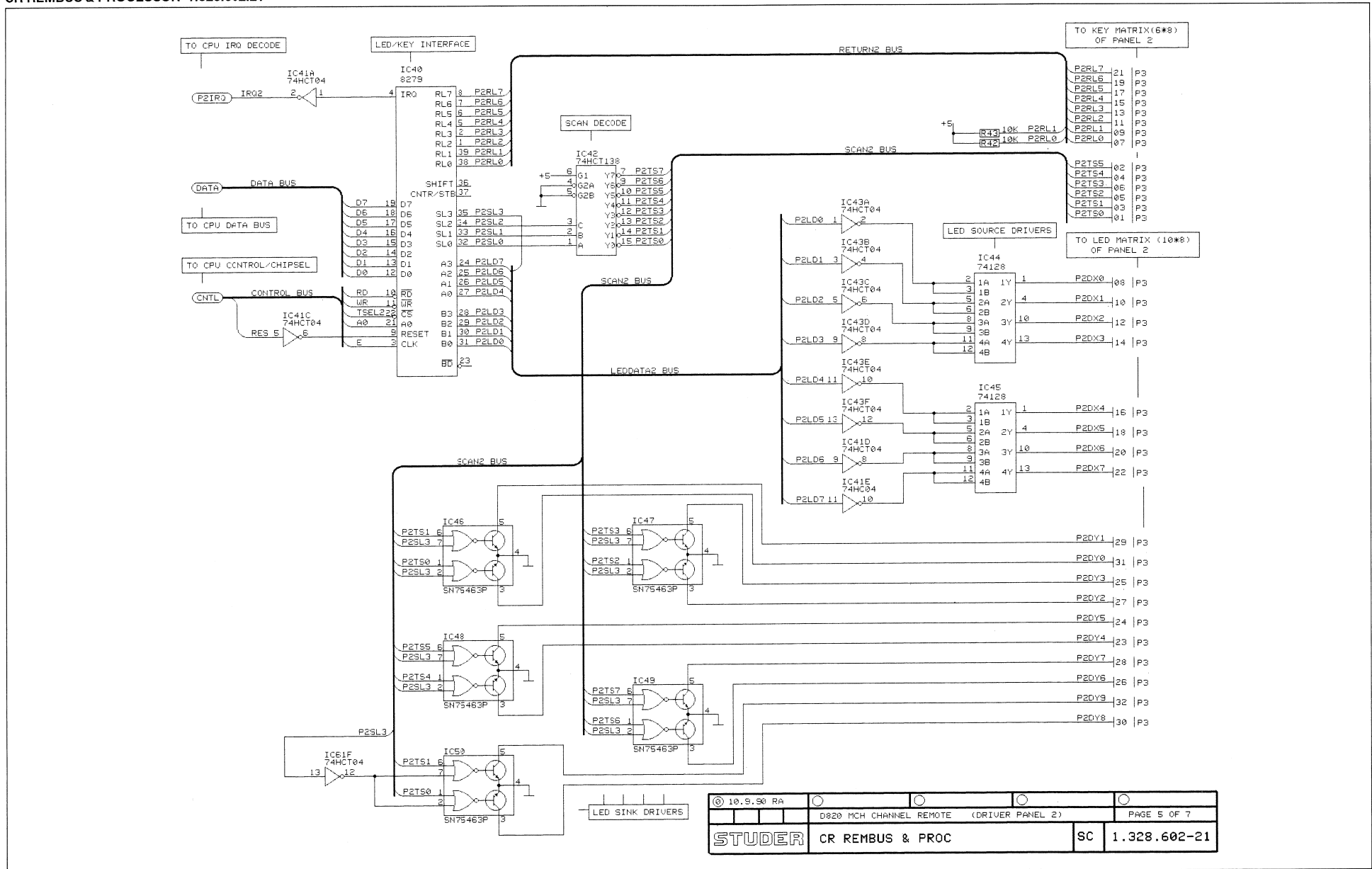
© 10.9.90 RA				
	D820 MCH CHANNEL REMOTE	(POWER SUPPLY)		PAGE 2 OF 7
STUDER	CR REMBUS & PROC	SC	1.328.602-21	

CR REMBUS & PROCESSOR 1.328.602.21



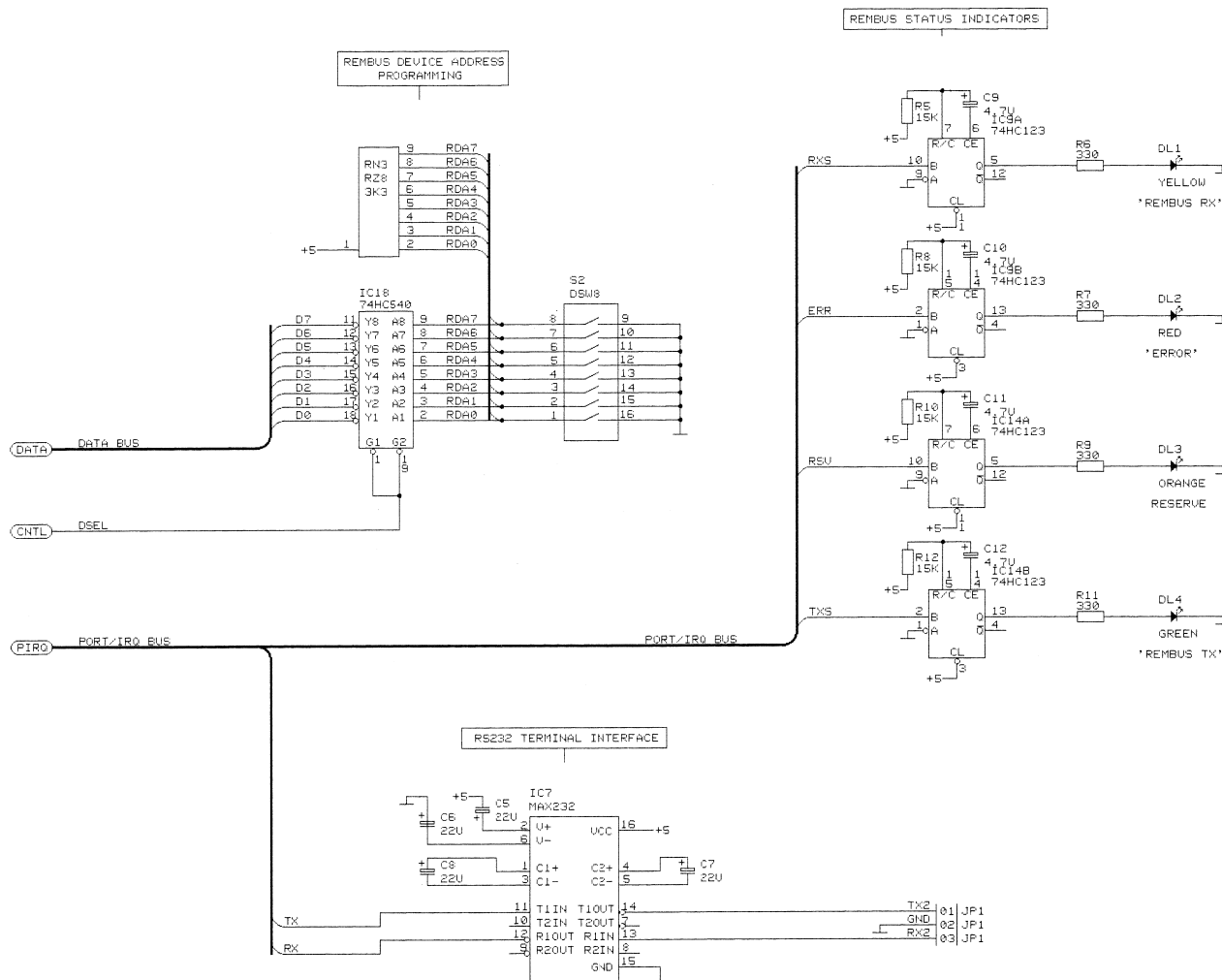
⑩ 10.9.50 RA	D820 MCH CHANNEL REMOTE (DRIVER AUX PANEL)	PAGE 3 OF 7
STUDER	CR REMBUS & PROC	SC 1.328.602-21

CR REMBUS & PROCESSOR 1.328.602.21



© 10.9.90 RA			
D820 MCH CHANNEL REMOTE	(DRIVER PANEL 2)	PAGE 5 OF 7	
STUDER	CR REMBUS & PROC	SC	1.328.602-21

CR REMBUS & PROCESSOR 1.328.602.21



© 10.9.90 RA				
D820 MCH CHANNEL REMOTE (SPECIAL FUNCTIONS)		PAGE 7 OF 7		
STUDER	CR REMBUS & PROC	SC	1.328.602-21	

CR REMBUS & PROCESSOR 1.328.602.21

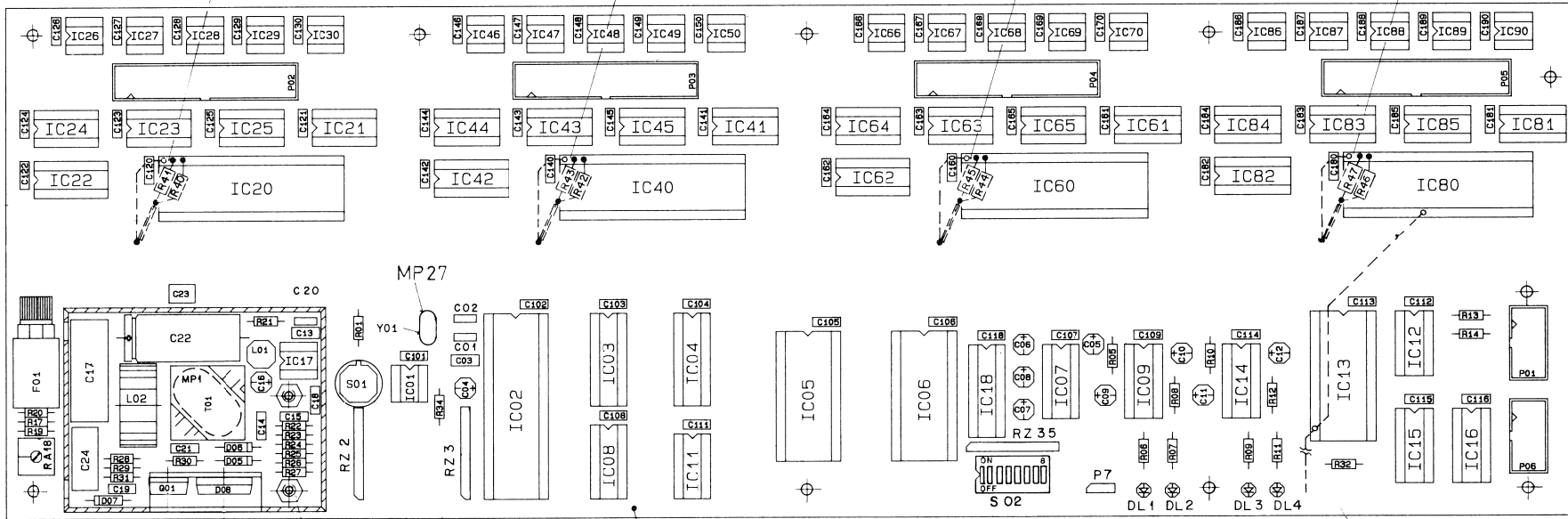
* auf Lötseite Widerstand einlöten zwischen

* IC 20 PIN 38 \rightarrow +5V (R 40)
 * IC 20 PIN 39 \rightarrow +5V (R 41)

* IC 40 PIN 38 \rightarrow +5V (R 42)
 * IC 40 PIN 39 \rightarrow +5V (R 43)

* IC 60 PIN 38 \rightarrow +5V (R 44)
 * IC 60 PIN 39 \rightarrow +5V (R 45)

* IC 80 PIN 38 \rightarrow +5V (R 46)
 * IC 80 PIN 39 \rightarrow +5V (R 47)



IND.	POS.NO.	PART NO.	VALUE	SPECIFICATIONS / EQUIVALENT	MANUF.	IND.	POS.NO.	PART NO.	VALUE	SPECIFICATIONS / EQUIVALENT	MANUF.	IND.	POS.NO.	PART NO.	VALUE	SPECIFICATIONS / EQUIVALENT	MANUF.	IND.	POS.NO.	PART NO.	VALUE	SPECIFICATIONS / EQUIVALENT	MANUF.		
C...	1	99.34.1150	15 p	5%, 63V, CER	AVY	C...	115	99.40.0683	68 n	10%, 63V, PETP	AVY	C...	116	50.15.0121			SN 75174 R	AVY	C...	116	50.15.0121			SN 75174 R	AVY
C...	2	99.34.1150	15 p	5%, 63V, CER	AVY	C...	116	99.40.0683	68 n	10%, 63V, PETP	AVY	C...	117	50.10.0113			IP 2848 R	AVY	C...	117	50.10.0113			IP 2848 R	AVY
C...	3	99.06.0104	100 n	10%, 63V, PETP	AVY	C...	117	99.40.0683	68 n	10%, 63V, PETP	AVY	C...	118	50.17.1540			74 IC 540	AVY	C...	118	50.17.1540			74 IC 540	AVY
C...	4	99.30.4479	4.7 n	20%, 10V, TA	AVY	C...	118	99.40.0683	68 n	10%, 63V, PETP	AVY	C...	119	50.16.0111			MSL B279 P-5, IP B279-5	AVY	C...	119	50.16.0111			MSL B279 P-5, IP B279-5	AVY
C...	5	99.26.1220	22 n	20%, 10V, ALU	AVY	C...	119	99.40.0683	68 n	10%, 63V, PETP	AVY	C...	120	50.17.0004			74 HCT 04	AVY	C...	120	50.17.0004			74 HCT 04	AVY
C...	6	99.26.1220	22 n	20%, 10V, ALU	AVY	C...	120	99.40.0683	68 n	10%, 63V, PETP	AVY	C...	121	50.17.0004			74 HCT 04	AVY	C...	121	50.17.0004			74 HCT 04	AVY
C...	7	99.26.1220	22 n	20%, 10V, ALU	AVY	C...	121	99.40.0683	68 n	10%, 63V, PETP	AVY	C...	122	50.17.0138			74129	AVY	C...	122	50.17.0138			74129	AVY
C...	8	99.26.1220	22 n	20%, 10V, ALU	AVY	C...	122	99.40.0683	68 n	10%, 63V, PETP	AVY	C...	123	50.15.0122			74129	AVY	C...	123	50.15.0122			74129	AVY
C...	9	99.30.4479	4.7 n	20%, 10V, TA	AVY	C...	123	99.40.0683	68 n	10%, 63V, PETP	AVY	C...	124	50.15.0122			74129	AVY	C...	124	50.15.0122			74129	AVY
C...	10	99.30.4479	4.7 n	20%, 10V, TA	AVY	C...	124	99.40.0683	68 n	10%, 63V, PETP	AVY	C...	125	50.15.0122			74129	AVY	C...	125	50.15.0122			74129	AVY
C...	11	99.30.4479	4.7 n	20%, 10V, TA	AVY	C...	125	99.40.0683	68 n	10%, 63V, PETP	AVY	C...	126	50.05.0203			SN 75463P	AVY	C...	126	50.05.0203			SN 75463P	AVY
C...	12	99.30.4479	4.7 n	20%, 10V, TA	AVY	C...	126	99.40.0683	68 n	10%, 63V, PETP	AVY	C...	127	50.05.0203			SN 75463P	AVY	C...	127	50.05.0203			SN 75463P	AVY
C...	13	99.06.0104	100 n	10%, 63V, PETP	AVY	C...	127	99.40.0683	68 n	10%, 63V, PETP	AVY	C...	128	50.05.0203			SN 75463P	AVY	C...	128	50.05.0203			SN 75463P	AVY
C...	14	99.06.0102	1 n	10%, 63V, PETP	AVY	C...	128	99.40.0683	68 n	10%, 63V, PETP	AVY	C...	129	50.05.0203			SN 75463P	AVY	C...	129	50.05.0203			SN 75463P	AVY
C...	15	99.06.0104	100 n	10%, 63V, PETP	AVY	C...	129	99.40.0683	68 n	10%, 63V, PETP	AVY	C...	130	50.16.0111			MSL B279 P-5, IP B279-5	AVY	C...	130	50.16.0111			MSL B279 P-5, IP B279-5	AVY
C...	16	99.22.4470	4.7 n	20%, 16V, EL	AVY	C...	130	99.40.0683	68 n	10%, 63V, PETP	AVY	C...	131	50.17.0004			74 HCT 04	AVY	C...	131	50.17.0004			74 HCT 04	AVY
C...	17	99.02.0605	6 n	5%, 63V, PETP	AVY	C...	131	99.40.0683	68 n	10%, 63V, PETP	AVY	C...	132	50.17.0138			74 HCT 130	AVY	C...	132	50.17.0138			74 HCT 130	AVY
C...	18	99.06.0103	10 n	10%, 63V, PETP	AVY	C...	132	99.40.0683	68 n	10%, 63V, PETP	AVY	C...	133	50.15.0122			74129	AVY	C...	133	50.15.0122			74129	AVY
C...	19	99.32.2471	4.7 n	10%, 50V, CER	AVY	C...	133	99.40.0683	68 n	10%, 63V, PETP	AVY	C...	134	50.15.0122			74129	AVY	C...	134	50.15.0122			74129	AVY
C...	20	99.32.2471	4.7 n	10%, 50V, CER	AVY	C...	134	99.40.0683	68 n	10%, 63V, PETP	AVY	C...	135	50.15.0122			74129	AVY	C...	135	50.15.0122			74129	AVY
C...	21	99.32.2471	4.7 n	10%, 50V, CER	AVY	C...	135	99.40.0683	68 n	10%, 63V, PETP	AVY	C...	136	50.15.0122			74129	AVY	C...	136	50.15.0122			74129	AVY
C...	22	99.25.3222	2200n	20%, 16V, EL	AVY	C...	136	99.40.0683	68 n	10%, 63V, PETP	AVY	C...	137	50.15.0122			74129	AVY	C...	137	50.15.0122			74129	AVY
C...	23	99.25.3222	2200n	20%, 16V, EL	AVY	C...	137	99.40.0683	68 n	10%, 63V, PETP	AVY	C...	138	50.15.0122			74129	AVY	C...	138	50.15.0122			74129	AVY
C...	24	99.02.0684	680 n	5%, 63V, RMC	AVY	C...	138	99.40.0683	68 n	10%, 63V, PETP	AVY	C...	139	50.05.0203			SN 75463P	AVY	C...	139	50.05.0203			SN 75463P	AVY
C...	25	99.40.0683	68 n	10%, 63V, PETP	AVY	C...	139	99.40.0683	68 n	10%, 63V, PETP	AVY	C...	140	50.16.0111			MSL B279 P-5, IP B279-5	AVY	C...	140	50.16.0111			MSL B279 P-5, IP B279-5	AVY
C...	26	99.40.0683	68 n	10%, 63V, PETP	AVY	C...	140	99.40.0683	68 n	10%, 63V, PETP	AVY	C...	141	50.17.0004			74 HCT 04	AVY	C...	141	50.17.0004			74 HCT 04	AVY
C...	27	99.40.0683	68 n	10%, 63V, PETP	AVY	C...	141	99.40.0683	68 n	10%, 63V, PETP	AVY	C...	142	50.17.0004			74 HCT 130	AVY	C...	142	50.17.0004			74 HCT 130	AVY
C...	28	99.40.0683	68 n	10%, 63V, PETP	AVY	C...	142	99.40.0683	68 n	10%, 63V, PETP	AVY	C...	143	50.15.0122			74129	AVY	C...	143	50.15.0122			74129	AVY
C...	29	99.40.0683	68 n	10%, 63V, PETP	AVY	C...	143	99.40.0683	68 n	10%, 63V, PETP	AVY	C...	144	50.15.0122			74129	AVY	C...	144	50.15.0122			74129	AVY
C...	30	99.40.0683	68 n	10%, 63V, PETP	AVY	C...	144	99.40.0683	68 n	10%, 63V, PETP	AVY	C...	145	50.15.0122			74129	AVY	C...	145	50.15.0122			74129	AVY
C...	31	99.40.0683	68 n	10%, 63V, PETP	AVY	C...	145	99.40.0683	68 n	10%, 63V, PETP	AVY	C...	146	50.05.0203			SN 75463P	AVY	C...	146	50.05.0203			SN 75463P	AVY
C...	32	99.40.0683	68 n	10%, 63V, PETP	AVY	C...	146	99.40.0683	68 n	10%, 63V, PETP	AVY	C...	147	50.05.0203			SN 75463P	AVY	C...	147	50.05.0203			SN 75463P	AVY
C...	33	99.40.0683	68 n	10%, 63V, PETP	AVY	C...	147	99.40.0683	68 n	10%, 63V, PETP	AVY	C...	148	50.05.0203			SN 75463P	AVY	C...	148	50.05.0203			SN 75463P	AVY
C...	34	99.40.0683	68 n	10%, 63V, PETP	AVY	C...	148	99.40.0683	68 n	10%, 63V, PETP	AVY	C...	149	50.05.0203			SN 75463P	AVY	C...	149	50.05.0203			SN 75463P	AVY
C...	35	99.40.0683	68 n	10%, 63V, PETP	AVY	C...	149	99.40.0683	68 n	10%, 63V, PETP	AVY	C...	150	50.05.0203			SN 75463P	AVY	C...	150	50.05.0203			SN 75463P	AVY
C...	36	99.40.0683	68 n	10%, 63V, PETP	AVY	C...	150	99.40.0683	68 n	10%, 63V, PETP	AVY	C...	151	50.17.0004			74 HCT 04	AVY	C...	151	50.17.0004			74 HCT 04	AVY
C...	37	99.40.0683	68 n	10%, 63V, PETP	AVY	C...	151	99.40.0683	68 n	10%, 63V, PETP	AVY	C...	152	50.17.0004			74 HCT 130	AVY	C...	152	50.17.0004			74 HCT 130	AVY
C...	38	99.40.0683	68 n	10%, 63V, PETP	AVY	C...	152	99.40.0683	68 n	10%, 63V, PETP	AVY	C...	153	50.15.0122			74129	AVY	C...	153	50.15.0122			74129	AVY
C...	39	99.40.0683	68 n	10%, 63V, PETP	AVY	C...	153	99.40.0683	68 n	10%, 63V, PETP	AVY	C...	154	50.15.0122			74129	AVY	C...	154	50.15.0122			74129	AVY
C...	40	99.40.0683	68 n	10%, 63V, PETP	AVY	C...	154	99.40.0683	68 n	10%, 63V, PETP	AVY	C...	155	50.05.0203			SN 75463P	AVY	C...	155	50.05.0203			SN 75463P	AVY
C...	41	99.40.0683	68 n	10%, 63V, PETP	AVY	C...	155	99.40.0683	68 n	10%, 63V, PETP	AVY	C...	156	50.05.0203			SN 75463P	AVY	C...	156	50.05.0203			SN 75463P	AVY
C...	42	99.40.0683	68 n	10%, 63V, PETP	AVY	C...	156	99.40.0683	68 n	10%, 63V, PETP	AVY	C...	157	50.05.0203			SN 75463P	AVY	C...	157	50.05.0203			SN 75463P	AVY
C...	43	99.40.0683	68 n	10%, 63V, PETP	AVY	C...	157	99.40.0683	68 n	10%, 63V, PETP	AVY	C...	158	50.05.0203			SN 75463P	AVY	C...	158	50.05.0203			SN 75463P	AVY
C...	44	99.40.0683	68 n	10%, 63V, PETP	AVY	C...	158	99.40.0683	68 n	10%, 63V, PETP	AVY	C...	159	50.05.0203			SN 75463P	AVY	C...	159	50.05.0203			SN 75463P	AVY
C...	45	99.40.0683	68 n	10%, 63V, PET																					

CR REMBUS & PROCESSOR 1.328.602.21

IND.	POS.NO.	PART NO.	VALUE	SPECIFICATIONS / EQUIVALENT	MANUF.	IND.	POS.NO.	PART NO.	VALUE	SPECIFICATIONS / EQUIVALENT	MANUF.
IC...	81	50.17.0004		74 HCT 04	ANY	Y....	1	89.01.0560		QUARZ 4.9152 MHZ	ANY
IC...	82	50.17.0138		74 HCT 138	ANY						
IC...	83	50.17.0004		74 HCT 04	ANY						
IC...	84	50.15.0122		74128	ANY						
IC...	85	50.15.0122		74128	ANY						
IC...	86	50.05.0203		SN 75463P	ANY						
IC...	87	50.05.0203		SN 75463P	ANY						
IC...	88	50.05.0203		SN 75463P	ANY						
IC...	89	50.05.0203		SN 75463P	ANY						
IC...	90	50.05.0203		SN 75463P	ANY						
L....	1	62.01.0113	8.2 mH	5%, AXIAL	ANY						
L....	2	62.03.0040	100 uH	5%, FILTER	ANY						
MP...	1	1.010.002.61		UNTERLAGE ZU SWITCHING TRAF0	ANY						
MP...	2	1.010.015.50		ISOLIERSCHEIBE T05	ANY						
MP...	3	1.862.812.02		SCREEN	ANY						
MP...	4	1.010.022.22		NIETMUTTER M3*25	ANY						
MP...	5	1.010.022.22		NIETMUTTER M3*25	ANY						
MP...	6	21.53.9354		Z-SCHRAUBE M3*6 MIT SICHERUNGSSCHEIBE	ANY						
MP...	7	21.53.9354		Z-SCHRAUBE M3*6 MIT SICHERUNGSSCHEIBE	ANY						
MP...	10	50.20.0305		GLIMMER TO220	ANY						
MP...	11	50.20.0317		GLIMMER TO218	ANY						
MP...	12	50.20.0404		ISO-DURCHF.	ANY						
MP...	13	50.20.0404		ISO-DURCHF.	ANY						
MP...	14	37.01.0101		FEDERSCHLEIBE M3	ANY						
MP...	15	37.01.0101		FEDERSCHLEIBE M3	ANY						
MP...	16	37.01.0101		FEDERSCHLEIBE M3	ANY						
MP...	17	37.01.0101		FEDERSCHLEIBE M3	ANY						
MP...	18	1.010.098.27		DIST. BOLZEN 2,3MM	ANY						
MP...	19	1.010.098.27		DIST. BOLZEN 2,3MM	ANY						
MP...	20	21.53.0386		INNENSCHRAUBT M3*10	ANY						
MP...	21	21.53.0386		INNENSCHRAUBT M3*10	ANY						
MP...	22	1.328.602.11		CR REMBUS + PROC. PCB	ST						
MP...	23	1.328.602.01		ETIK. PRINT.NR	ST						
MP...	24	1.010.115.51		ETIK. SICHERUNG	ST						
MP...	25	1.101.001.21		ETIK. HARDWARE 21	ST						

REMARKS:
 MANUFACTURERS:
 St = STUDER / Ph = PHILIPS / So = SONY
 ABBREVIATIONS:
 CER = CERAMIC / FILM = FILM TYPE / XF = CLAMP FOR FUSES /
 XIC = IC SOCKET
 ORIG 90/08/20

S T U D E R (00) 90/08/20 LAR CR REMBUS + PROC. , ESE PL 1.328.602.21 PAGE 5 S T U D E R (00) 90/08/20 LAR CR REMBUS + PROC. , ESE PL 1.328.602.21 PAGE 8

IND.	POS.NO.	PART NO.	VALUE	SPECIFICATIONS / EQUIVALENT	MANUF.
MP...	26	43.01.0108		ESE-WARNSCHILD	ANY
MP...	27	89.01.1499		QUARZ-UNTERLAGE	ANY
P....	1	54.14.2001		STECKER 10 P, SN, GERADE	ANY
P....	2	54.14.2007		STECKER 34 P, SN, GERADE	ANY
P....	3	54.14.2007		STECKER 34 P, SN, GERADE	ANY
P....	4	54.14.2007		STECKER 34 P, SN, GERADE	ANY
P....	5	54.14.2007		STECKER 34 P, SN, GERADE	ANY
P....	6	54.14.2001		STECKER 10 P, SN, GERADE	ANY
P....	7	54.01.0020		STIFTLEISTE *** STY 3 ***	ANY
Q....	1	50.03.1510		IRF 640	ANY
R....	1	57.11.3103	10 k	1X	ANY
R....	5	57.11.3153	15 k	1X	ANY
R....	6	57.11.3331	330 E	1X	ANY
R....	7	57.11.3331	330 E	1X	ANY
R....	8	57.11.3153	15 k	1X	ANY
R....	9	57.11.3331	330 E	1X	ANY
R....	10	57.11.3153	15 k	1X	ANY
R....	11	57.11.3331	330 E	1X	ANY
R....	12	57.11.3153	15 k	1X	ANY
R....	13	57.11.3000	0 E		ANY
R....	14	57.11.3000	0 E		ANY
R....	17	57.11.3222	2.2 k	1X	ANY
R....	19	57.11.3222	2.2 k	1X	ANY
R....	20	57.11.3222	2.2 k	1X	ANY
R....	21	57.11.3103	10 k	1X	ANY
R....	22	57.11.3154	150 k	1X	ANY
R....	23	57.11.3182	1.8 k	1X	ANY
R....	24	57.11.3273	27 k	1X	ANY
R....	25	57.11.3220	22 E	1X	ANY
R....	26	57.11.3102	1 k	1X	ANY
R....	27	57.11.3223	22 k	1X	ANY
R....	28	57.11.3109	1 E	1X	ANY
R....	29	57.11.3109	1 E	1X	ANY
R....	30	57.11.3220	22 E	1X	ANY

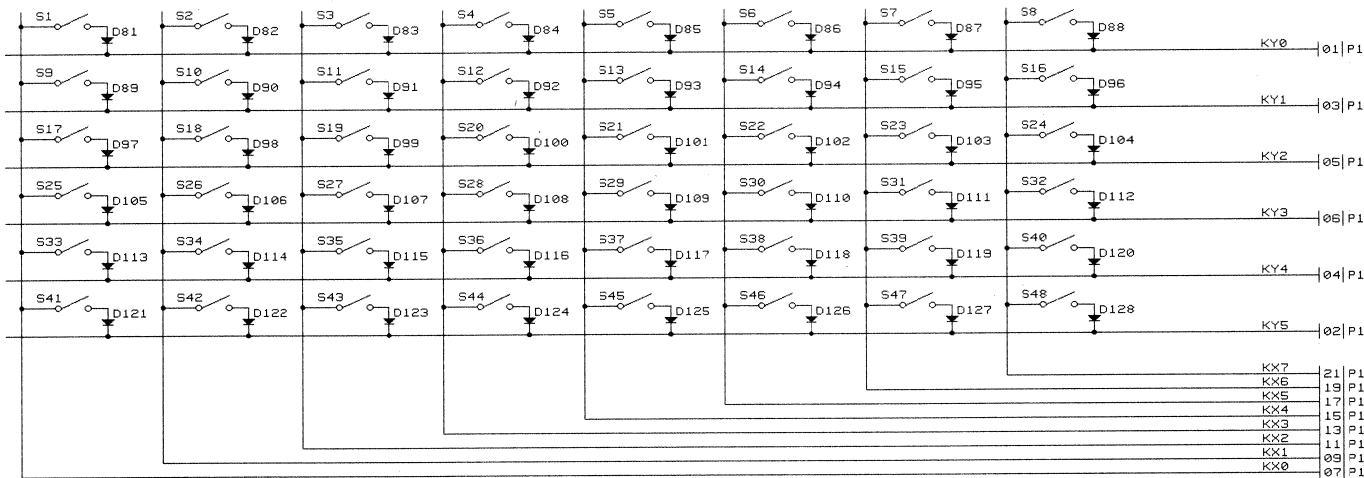
S T U D E R (00) 90/08/20 LAR CR REMBUS + PROC. , ESE PL 1.328.602.21 PAGE 6

IND.	POS.NO.	PART NO.	VALUE	SPECIFICATIONS / EQUIVALENT	MANUF.
R....	31	57.11.3153	15 k	1X	ANY
R....	32	57.11.3000	0 E		ANY
R....	34	57.11.3103	10 k	1X	ANY
R....	40	57.11.3103	10 K	1X	ANY
R....	41	57.11.3103	10 K	1X	ANY
R....	42	57.11.3103	10 K	1X	ANY
R....	43	57.11.3103	10 K	1X	ANY
R....	44	57.11.3103	10 K	1X	ANY
R....	45	57.11.3103	10 K	1X	ANY
R....	46	57.11.3103	10 K	1X	ANY
R....	47	57.11.3103	10 K	1X	ANY
RA...	18	58.01.8102	1 K	10% TRIMMPOT.	ANY
RZ...	2	57.99.2002	3.3 k	5%, SIP 10	ANY
RZ...	3	57.99.2002	3.3 k	5%, SIP 10	ANY
RZ...	35	57.99.2002	3.3 k	5%, SIP 10	ANY
S....	1	55.03.0122		TASTE, IMPULS	ANY
S....	2	55.01.0168		DIL-SWITCH, 8P	ANY
T....	1	1.022.628.00		SWITCHING-TRANSFORMER	ST
W....	1	1.010.112.64	120 MM	WRAP-DRAHT (VON IC 13/13 NACH IC 80/9)	St
XF...	1	53.03.0110		FUSE-HOLDER, 5A20, LIEGEND	ANY
XIC...	2	53.03.0172		IC-SOCKET, 40P	ANY
XIC...	5	53.03.0173		IC-SOCKET, 28P	ANY
XIC...	6	53.03.0173		IC-SOCKET, 28P	ANY
XIC...	13	53.03.0173		IC-SOCKET, 28P	ANY
XIC...	15	53.03.0168		IC-SOCKET, 16P	ANY
XIC...	16	53.03.0168		IC-SOCKET, 16P	ANY
XIC...	20	53.03.0172		IC-SOCKET, 40P	ANY
XIC...	40	53.03.0172		IC-SOCKET, 40P	ANY
XIC...	60	53.03.0172		IC-SOCKET, 40P	ANY
XIC...	80	53.03.0172		IC-SOCKET, 40P	ANY

S T U D E R (00) 90/08/20 LAR CR REMBUS + PROC. , ESE PL 1.328.602.21 PAGE 7

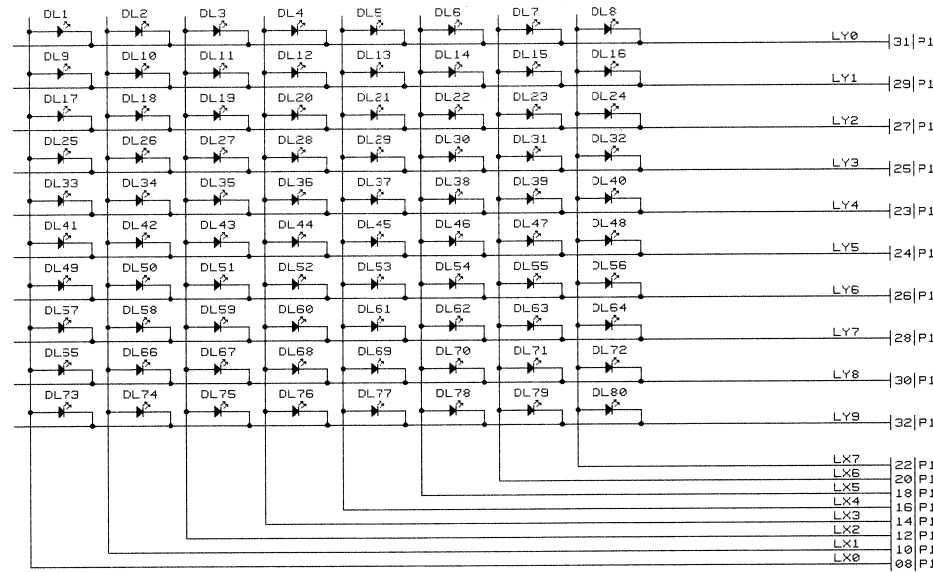
STUDER D820 MCH

CR CHANNEL KEYS 1.328.603.00



FUNCTIONAL ASSIGNMENT FOR PANEL 1,2,3

KY0	01 P1	READY KEYS CH1-8,9-16,17,24
KY1	03 P1	SAFE KEYS CH1-8,9-16,17,24
KY2	05 P1	INP/REP KEYS CH1-8,9-16,17,24
KY3	06 P1	READY KEYS CH25-32,33-40,41-48
KY4	04 P1	SAFE KEYS CH25-32,33-40,41-48
KY5	02 P1	INP/REP KEYS CH25-32,33-40,41-48
KX7	21 P1	CH08/32,16/40,24/48 CH07/31,15/39,23/47 CH06/30,14/38,22/46 CH05/29,13/37,21/45 CH04/28,12/36,20/44 CH03/27,11/35,19/43 CH02/26,10/34,18/42 CH01/25,09/33,17/41
KX6	19 P1	
KX5	17 P1	
KX4	15 P1	
KX3	13 P1	
KX2	11 P1	
KX1	09 P1	
KX0	07 P1	

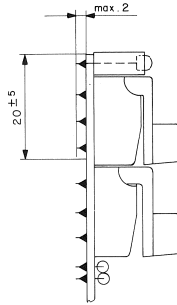
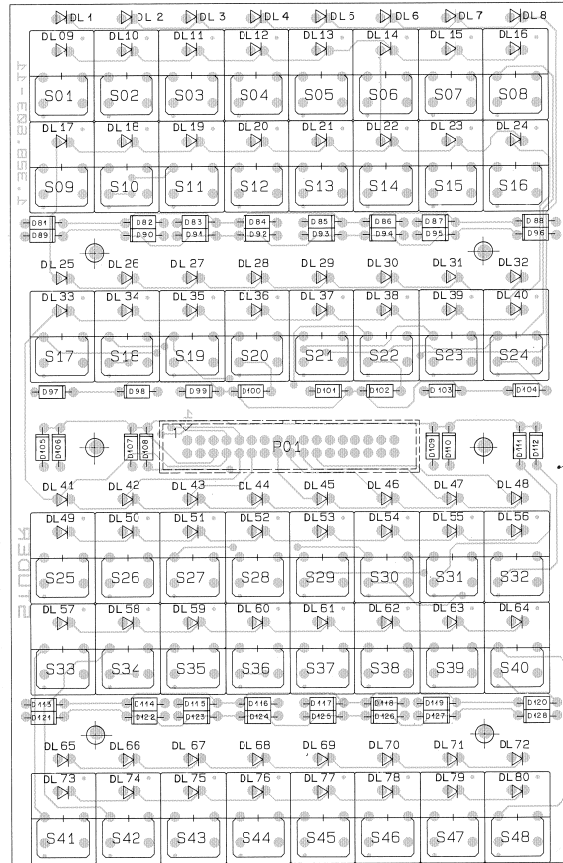


LY0	31 P1	LED RED, 'RECORD' CH1-8,9-16,17,24
LY1	29 P1	LED GREEN, 'READY' CH1-8,9-16,17,24
LY2	27 P1	LED YELLOW, 'SAFE' CH1-8,9-16,17,24
LY3	25 P1	LED YELLOW, 'INPUT' CH1-8,9-16,17,24
LY4	23 P1	LED YELLOW, 'REPRO' CH1-8,9-16,17,24
LY5	24 P1	LED RED, 'RECORD' CH25-32,33-40,41-48
LY6	26 P1	LED GREEN, 'READY' CH25-32,33-40,41-48
LY7	28 P1	LED YELLOW, 'SAFE' CH25-32,33-40,41-48
LY8	30 P1	LED YELLOW, 'INPUT' CH25-32,33-40,41-48
LY9	32 P1	LED YELLOW, 'REPRO' CH25-32,33-40,41-48
LX7	22 P1	CH08/32,16/40,24/48 CH07/31,15/39,23/47 CH06/30,14/38,22/46 CH05/29,13/37,21/45 CH04/28,12/36,20/44 CH03/27,11/35,19/43 CH02/26,10/34,18/42 CH01/25,09/33,17/41
LX6	20 P1	
LX5	18 P1	
LX4	16 P1	
LX3	14 P1	
LX2	12 P1	
LX1	10 P1	
LX0	08 P1	

NOTE:
PANEL 1,2,3 ARE
ABSOLUTELY IDENTICAL !!!

© 24.01.89/MB	D820MCH CHANNEL REMOTE	PAGE 1 OF 1
STUDER	CR CHANNEL KEYS	SC 1.328.603.00

CR CHANNEL KEYS 1.328.603.00



LED - Abstandhalter nach PL bestückt.
z.B. XDL 1 = LED - Abstandhalter von DL 1

Tasten - Knöpfe nach PL bestückt.
z.B. MP 1 = Tasten - Knopf von S 1

Etikette MP 50
aufgeklebt nach Fabrikationsmuster.

IND.	POS.NO.	PART NO.	VALUE	SPECIFICATIONS / EQUIVALENT	MANUF.
D...	01	50.04.0125	1R 4448		ARY
D...	02	50.04.0125	1R 4448		ARY
D...	03	50.04.0125	1R 4448		ARY
D...	04	50.04.0125	1R 4448		ARY
D...	05	50.04.0125	1R 4448		ARY
D...	06	50.04.0125	1R 4448		ARY
D...	07	50.04.0125	1R 4448		ARY
D...	08	50.04.0125	1R 4448		ARY
D...	09	50.04.0125	1R 4448		ARY
D...	10	50.04.0125	1R 4448		ARY
D...	11	50.04.0125	1R 4448		ARY
D...	12	50.04.0125	1R 4448		ARY
D...	13	50.04.0125	1R 4448		ARY
D...	14	50.04.0125	1R 4448		ARY
D...	15	50.04.0125	1R 4448		ARY
D...	16	50.04.0125	1R 4448		ARY
D...	17	50.04.0125	1R 4448		ARY
D...	18	50.04.0125	1R 4448		ARY
D...	19	50.04.0125	1R 4448		ARY
D...	20	50.04.0125	1R 4448		ARY
D...	21	50.04.0125	1R 4448		ARY
D...	22	50.04.0125	1R 4448		ARY
D...	23	50.04.0125	1R 4448		ARY
D...	24	50.04.0125	1R 4448		ARY
D...	25	50.04.0125	1R 4448		ARY
D...	26	50.04.0125	1R 4448		ARY
D...	27	50.04.0125	1R 4448		ARY
D...	28	50.04.0125	1R 4448		ARY
D...	29	50.04.0125	1R 4448		ARY
D...	30	50.04.0125	1R 4448		ARY
D...	31	50.04.0125	1R 4448		ARY
D...	32	50.04.0125	1R 4448		ARY
D...	33	50.04.0125	1R 4448		ARY
D...	34	50.04.0125	1R 4448		ARY
D...	35	50.04.0125	1R 4448		ARY
D...	36	50.04.0125	1R 4448		ARY
D...	37	50.04.0125	1R 4448		ARY
D...	38	50.04.0125	1R 4448		ARY
D...	39	50.04.0125	1R 4448		ARY
D...	40	50.04.0125	1R 4448		ARY
D...	41	50.04.0125	1R 4448		ARY
D...	42	50.04.0125	1R 4448		ARY
D...	43	50.04.0125	1R 4448		ARY
D...	44	50.04.0125	1R 4448		ARY
D...	45	50.04.0125	1R 4448		ARY
D...	46	50.04.0125	1R 4448		ARY
D...	47	50.04.0125	1R 4448		ARY
D...	48	50.04.0125	1R 4448		ARY

S T U D E R (01) 90/09/06 LAR CR CHANNEL KEYS PL 1.328.603.00 PAGE 1

IND.	POS.NO.	PART NO.	VALUE	SPECIFICATIONS / EQUIVALENT	MANUF.
D...	118	50.04.0125	1R 4448		ARY
D...	119	50.04.0125	1R 4448		ARY
D...	120	50.04.0125	1R 4448		ARY
D...	121	50.04.0125	1R 4448		ARY
D...	122	50.04.0125	1R 4448		ARY
D...	123	50.04.0125	1R 4448		ARY
D...	124	50.04.0125	1R 4448		ARY
D...	125	50.04.0125	1R 4448		ARY
D...	126	50.04.0125	1R 4448		ARY
D...	127	50.04.0125	1R 4448		ARY
D...	128	50.04.0125	1R 4448		ARY

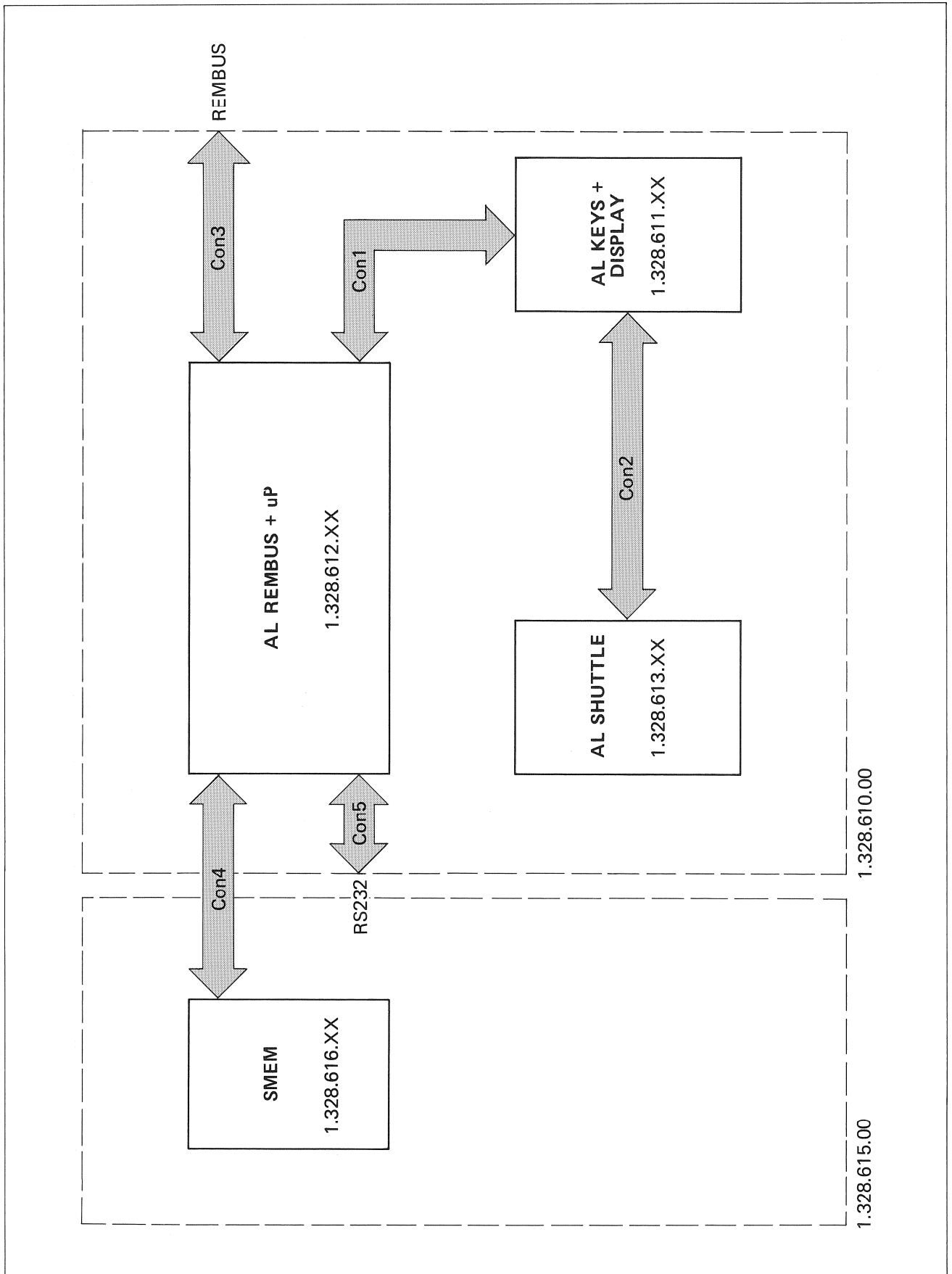
IND.	POS.NO.	PART NO.	VALUE	SPECIFICATIONS / EQUIVALENT	MANUF.
DL...	1	50.04.2129	LS 3160	RT DIFF	ARY
DL...	2	50.04.2129	LS 3160	RT DIFF	ARY
DL...	3	50.04.2129	LS 3160	RT DIFF	ARY
DL...	4	50.04.2129	LS 3160	RT DIFF	ARY
DL...	5	50.04.2129	LS 3160	RT DIFF	ARY
DL...	6	50.04.2129	LS 3160	RT DIFF	ARY
DL...	7	50.04.2129	LS 3160	RT DIFF	ARY
DL...	8	50.04.2129	LS 3160	RT DIFF	ARY
DL...	9	50.04.2162	HMP 1540	GR KLAR	ARY
DL...	10	50.04.2162	HMP 1540	GR KLAR	ARY
DL...	11	50.04.2162	HMP 1540	GR KLAR	ARY
DL...	12	50.04.2162	HMP 1540	GR KLAR	ARY
DL...	13	50.04.2162	HMP 1540	GR KLAR	ARY
DL...	14	50.04.2162	HMP 1540	GR KLAR	ARY
DL...	15	50.04.2162	HMP 1540	GR KLAR	ARY
DL...	16	50.04.2162	HMP 1540	GR KLAR	ARY
DL...	17	50.04.2162	HMP 1540	GR KLAR	ARY
DL...	18	50.04.2162	HMP 1540	GR KLAR	ARY
DL...	19	50.04.2162	HMP 1540	GR KLAR	ARY
DL...	20	50.04.2162	HMP 1540	GR KLAR	ARY
DL...	21	50.04.2162	HMP 1540	GR KLAR	ARY
DL...	22	50.04.2162	HMP 1540	GR KLAR	ARY
DL...	23	50.04.2162	HMP 1540	GR KLAR	ARY
DL...	24	50.04.2162	HMP 1540	GR KLAR	ARY
DL...	25	50.04.2162	HMP 1540	GR KLAR	ARY

S T U D E R (01) 90/09/06 LAR CR CHANNEL KEYS PL 1.328.603.00 PAGE 2

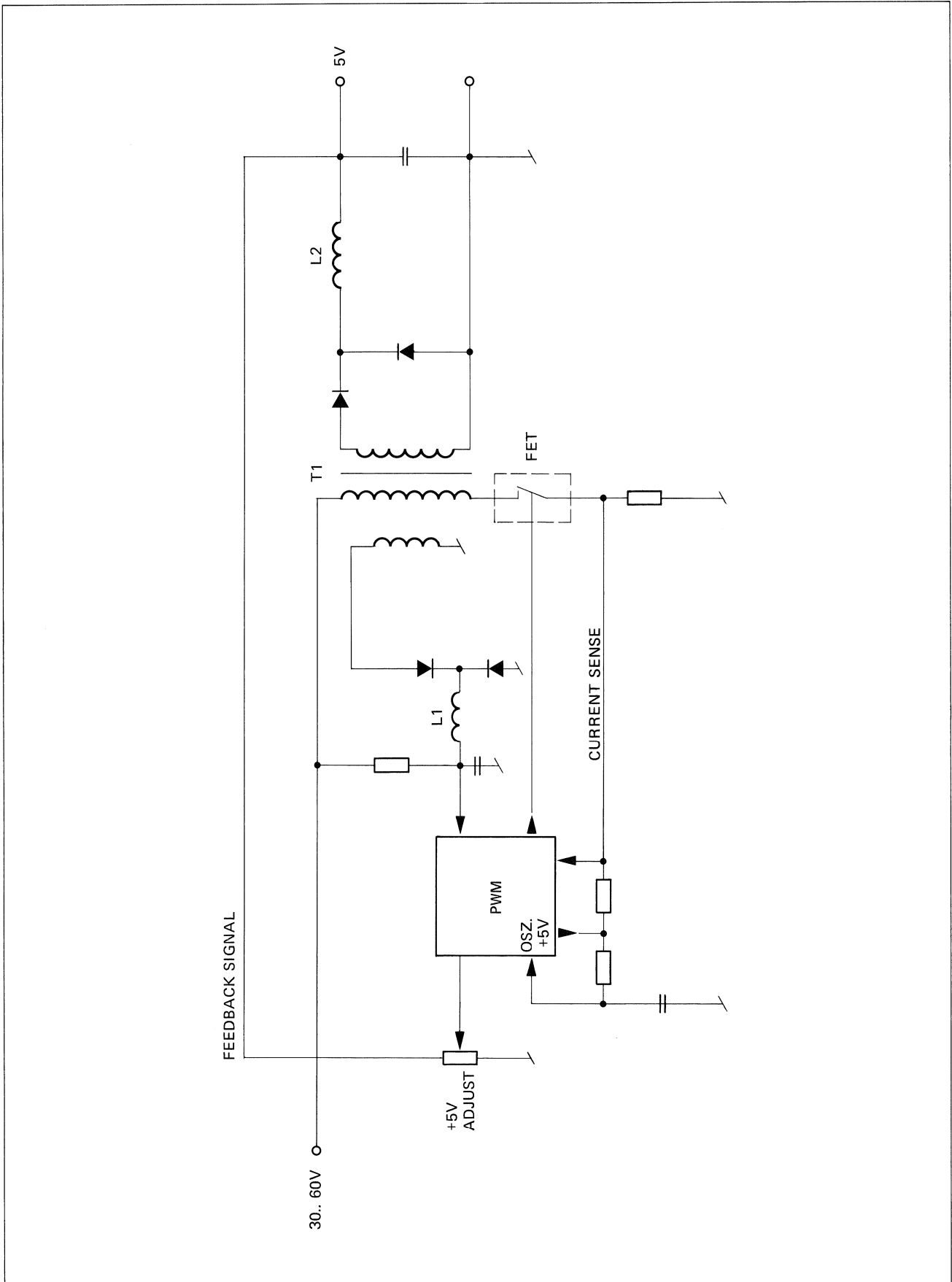
IND.	POS.NO.	PART NO.	VALUE	SPECIFICATIONS / EQUIVALENT	MANUF.
DL...	26	50.04.2162	HMP 1540	GR KLAR	ARY
DL...	27	50.04.2162	HMP 1540	GR KLAR	ARY
DL...	28	50.04.2162	HMP 1540	GR KLAR	ARY
DL...	29	50.04.2162	HMP 1540	GR KLAR	ARY
DL...	30	50.04.2162	HMP 1540	GR KLAR	ARY
DL...	31	50.04.2162	HMP 1540	GR KLAR	ARY
DL...	32	50.04.2162	HMP 1540	GR KLAR	ARY
DL...	33	50.04.2162	HMP 1540	GR KLAR	ARY
DL...	34	50.04.2162	HMP 1540	GR KLAR	ARY
DL...	35	50.04.2162	HMP 1540	GR KLAR	ARY
DL...	36	50.04.2162	HMP 1540	GR KLAR	ARY
DL...	37	50.04.2162	HMP 1540	GR KLAR	ARY
DL...	38	50.04.2162	HMP 1540	GR KLAR	ARY
DL...	39	50.04.2162	HMP 1540	GR KLAR	ARY
DL...	40	50.04.2162	HMP 1540	GR KLAR	ARY
DL...	41	50.04.2129	LS 3160	RT DIFF	ARY
DL...	42	50.04.2129	LS 3160	RT DIFF	ARY
DL...	43	50.04.2129	LS 3160	RT DIFF	ARY
DL...	44	50.04.2129	LS 3160	RT DIFF	ARY
DL...	45	50.04.2129	LS 3160	RT DIFF	ARY
DL...	46	50.04.2129	LS 3160	RT DIFF	ARY
DL...	47	50.04.2129	LS 3160	RT DIFF	ARY
DL...	48	50.04.2129	LS 3160	RT DIFF	ARY
DL...	49	50.04.2162	HMP 1540	GR KLAR	ARY
DL...	50	50.04.2162	HMP 1540	GR KLAR	ARY
DL...	51	50.04.2162	HMP 1540	GR KLAR	ARY
DL...	52	50.04.2162	HMP 1540	GR KLAR	ARY
DL...	53	50.04.2162	HMP 1540	GR KLAR	ARY
DL...	54	50.04.2162	HMP 1540	GR KLAR	ARY
DL...	55	50.04.2162	HMP 1540	GR KLAR	ARY
DL...	56	50.04.2162	HMP 1540	GR KLAR	ARY
DL...	57	50.04.2162	HMP 1540	GR KLAR	ARY
DL...	58	50.04.2162	HMP 1540	GR KLAR	ARY
DL...	59	50.04.2162	HMP 1540	GR KLAR	ARY
DL...	60	50.04.2162	HMP 1540	GR KLAR	ARY
DL...	61	50.04.2162	HMP 1540	GR KLAR	ARY
DL...	62	50.04.2162	HMP 1540	GR KLAR	ARY

S T U D E R (01) 90/09/06 LAR CR CHANNEL KEYS PL 1.328.603.00 PAGE 3

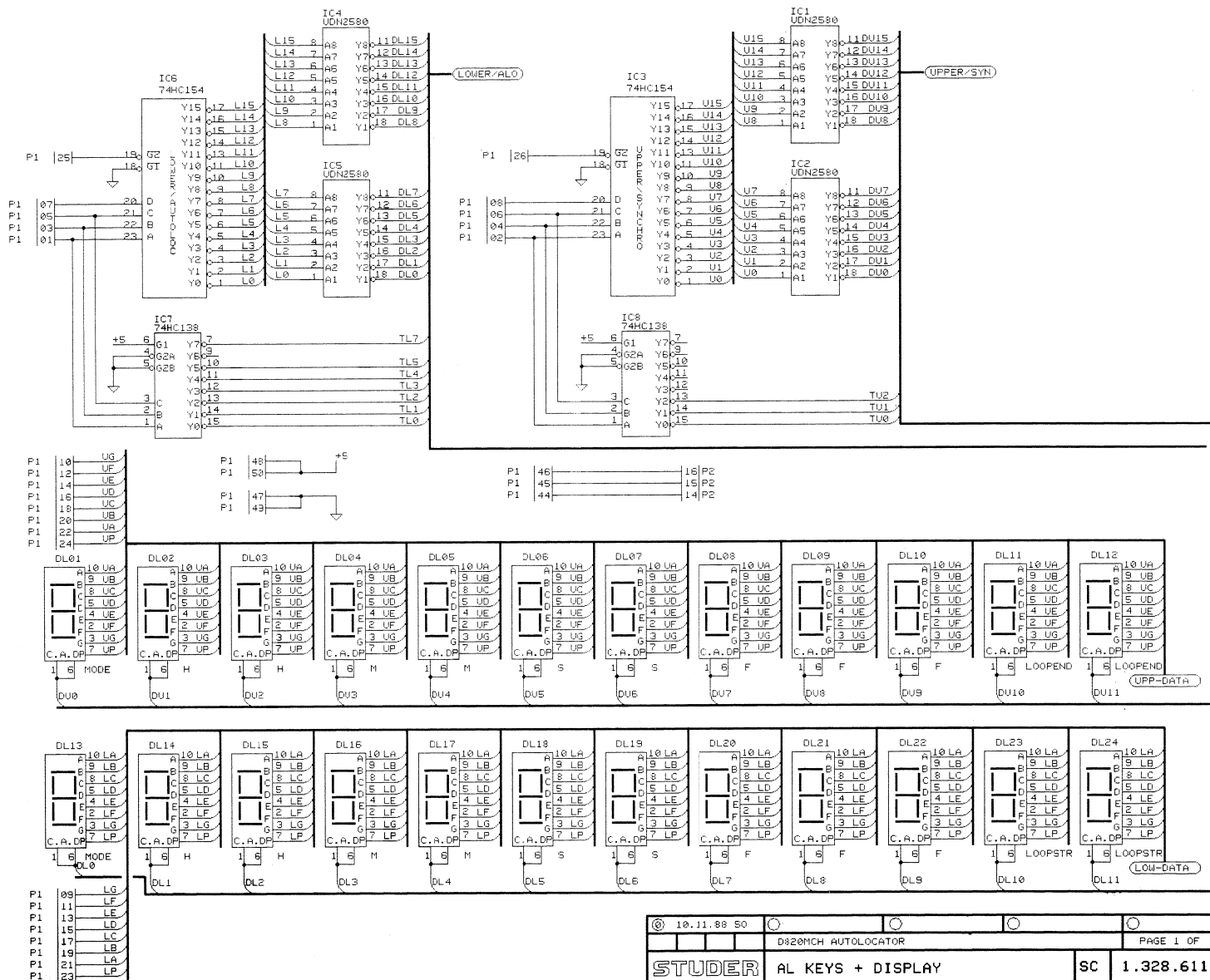
BLOCKDIAGRAM AUTOLOCATOR & SMEM CONTROLLER



BLOCKDIAGRAM STABILIZER 5V/4A (REMOTES)

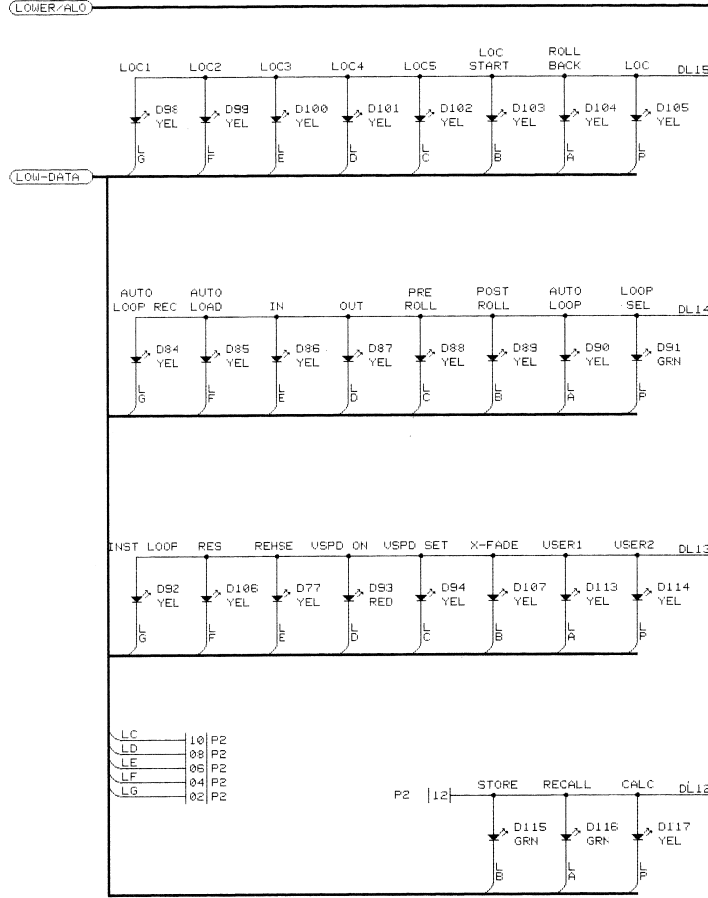
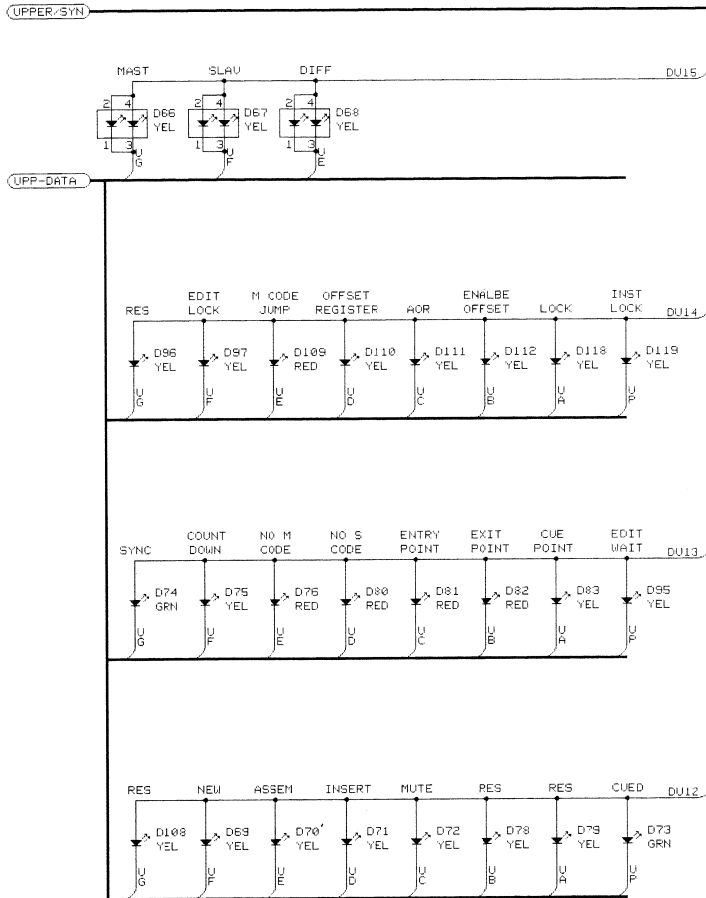


AL KEYS + DISPLAY 1.328.611.00



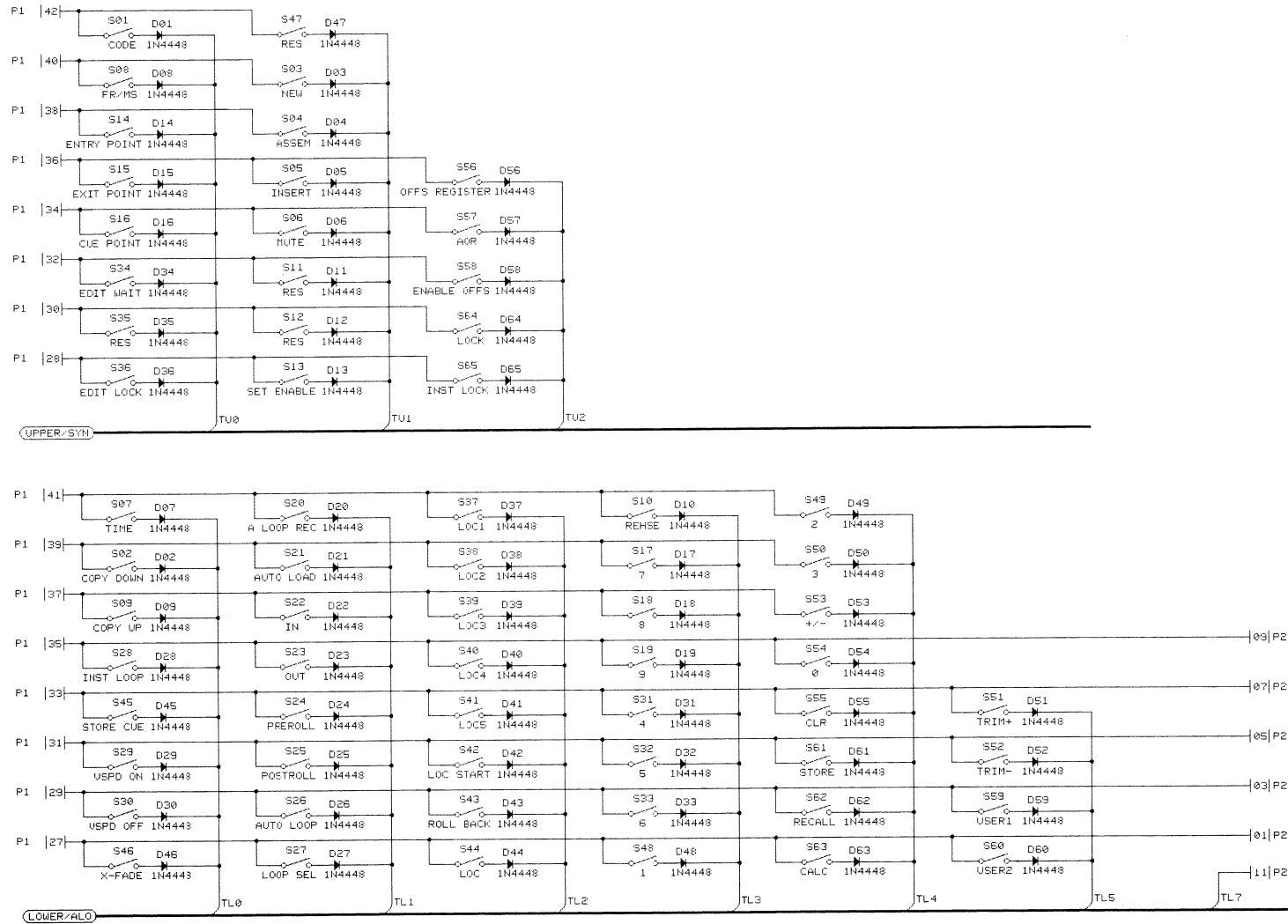
⑩ 10.11.88 SO	D820MCH AUTOLOCATOR	PAGE 1 OF 3
STUDER AL KEYS + DISPLAY		SC 1.328.611-00

AL KEYS + DISPLAY 1.328.611.00

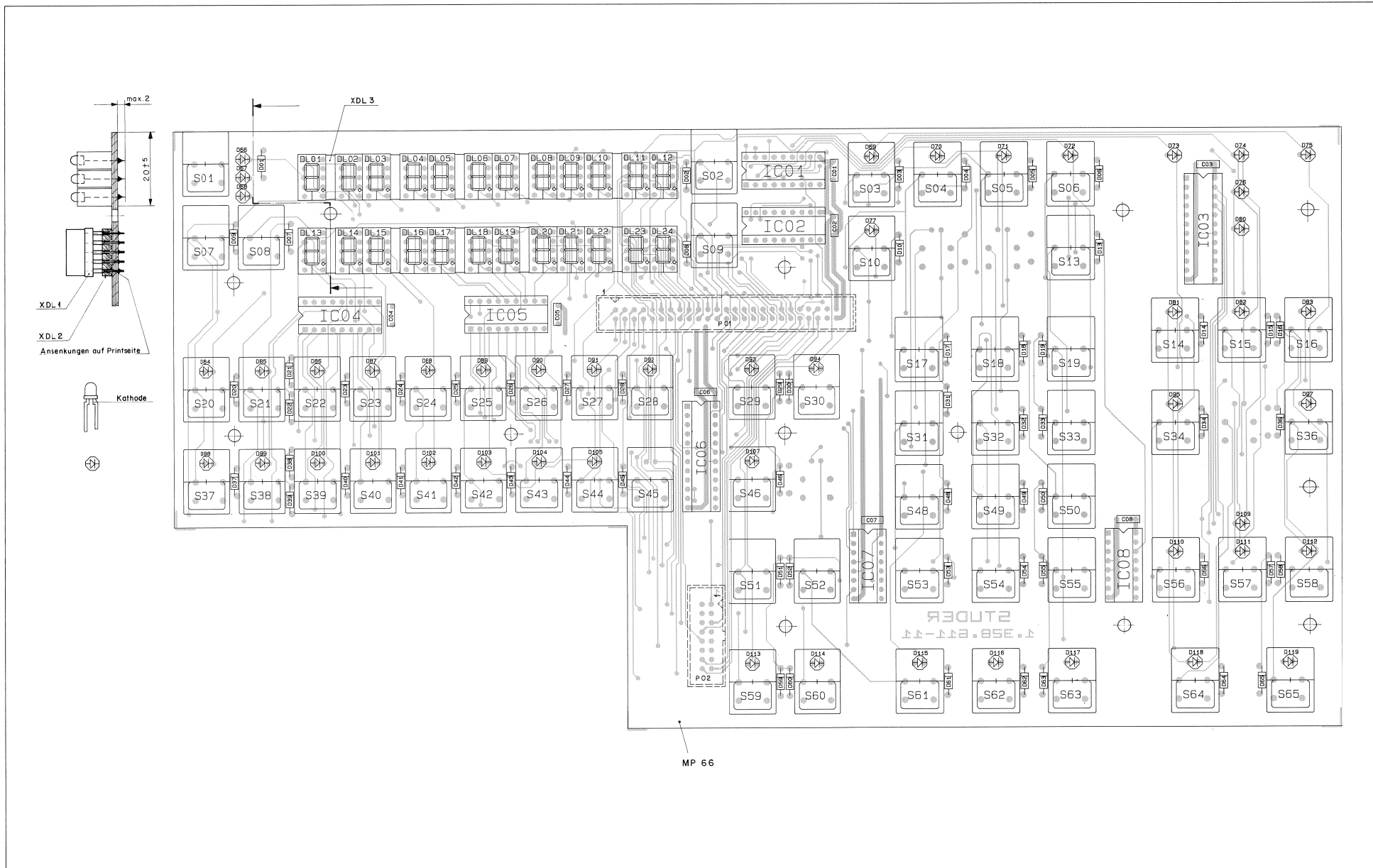


© 10.11.88 50				
		D820MCH AUTOLOCATOR		PAGE 2 OF 3
STUDER	AL KEYS + DISPLAY			SC 1.328.611-00

AL KEYS + DISPLAY 1.328.611.00



AL KEYS + DISPLAY 1.328.611.00

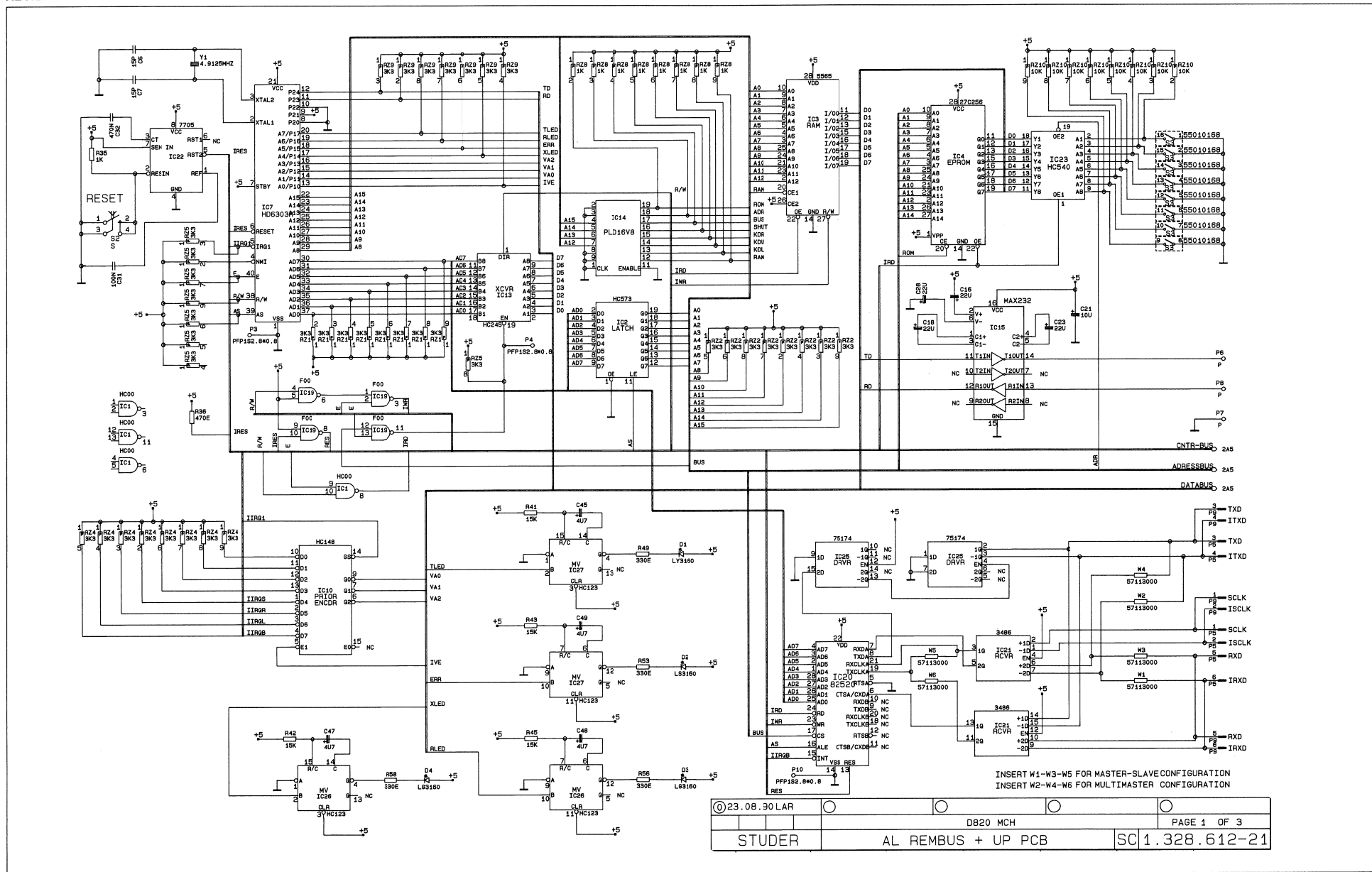


STUDER D820 MCH

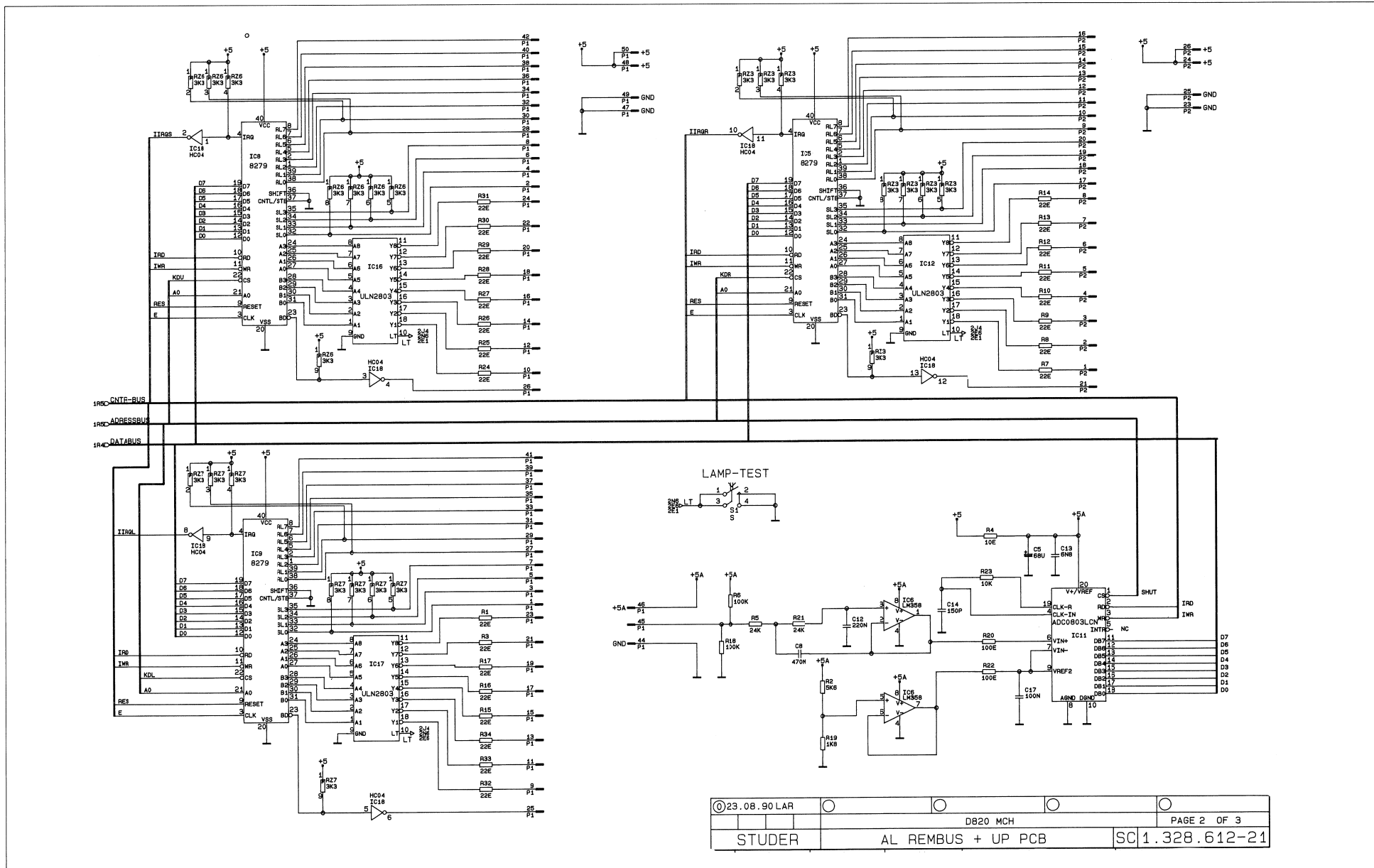
AL KEYS + DISPLAY 1.328.611.00

IND.	POS.NO.	PART NO.	VALUE	SPECIFICATIONS / EQUIVALENT	MANUF.	IND.	POS.NO.	PART NO.	VALUE	SPECIFICATIONS / EQUIVALENT	MANUF.
(00)	MP..53	55.15.0510	KNOPF	SW, ZU 0501	ANY	REMARKS: (02) 06.09.90 LAR MP 1-65					
(02)	MP..53	55.15.0518	KNOPF	GR, ZU 0501	ANY						
(00)	MP..54	55.15.0510	KNOPF	SW, ZU 0501	ANY						
(02)	MP..54	55.15.0519	KNOPF	WS, ZU 0501	ANY	MANUFACTURERS: ST = STUDER PH = PHILIPS HP = HEWLETT PACKARD					
(00)	MP..55	55.15.0510	KNOPF	SW, ZU 0501	ANY						
(02)	MP..55	55.15.0518	KNOPF	GR, ZU 0501	ANY						
	MP..56	55.15.0510	KNOPF	SW, ZU 0501	ANY						
	MP..57	55.15.0510	KNOPF	SW, ZU 0501	ANY						
	MP..58	55.15.0510	KNOPF	SW, ZU 0501	ANY						
(00)	MP..59	55.15.0510	KNOPF	SW, ZU 0501	ANY	ABBREVIATIONS: CER = CERAMIC / FILM = FILM TYPE / XF = CLAMP FOR FUSES XDL = DL SOCKET					
(02)	MP..59	55.15.0518	KNOPF	GR, ZU 0501	ANY						
(00)	MP..60	55.15.0510	KNOPF	SW, ZU 0501	ANY						
(02)	MP..60	55.15.0518	KNOPF	GR, ZU 0501	ANY						
	MP..61	55.15.0510	KNOPF	SW, ZU 0501	ANY						
	MP..62	55.15.0510	KNOPF	SW, ZU 0501	ANY						
	MP..63	55.15.0510	KNOPF	SW, ZU 0501	ANY						
(00)	MP..64	55.15.0510	KNOPF	SW, ZU 0501	ANY						
(02)	MP..64	55.15.0511	KNOPF	RT, ZU 0501	ANY						
(00)	MP..65	55.15.0510	KNOPF	SW, ZU 0501	ANY						
(02)	MP..65	55.15.0512	KNOPF	RT, ZU 0501	ANY						
	MP..66	1.328.611.11	PRINT		ST						
	MP..67	1.328.611.01	ETIKETTE		ST						
	MP..68	43.01.0108	ESE-Warnschild		ANY						
	XD..66	1.862.813.03	DIODENABSTANDSHALTER		ST						
	XD..67	1.862.813.03	DIODENABSTANDSHALTER		ST						
	XD..68	1.862.813.03	DIODENABSTANDSHALTER		ST						
	XD..73	1.862.813.03	DIODENABSTANDSHALTER		ST						
	XD..74	1.862.813.03	DIODENABSTANDSHALTER		ST						
	XD..75	1.862.813.03	DIODENABSTANDSHALTER		ST						
	XD..76	1.862.813.03	DIODENABSTANDSHALTER		ST						
	XD..80	1.862.813.03	DIODENABSTANDSHALTER		ST						
	XD..109	1.862.813.03	DIODENABSTANDSHALTER		ST						
(00)	F....1	54.14.2005	STECKER	50 PIN,LOETSEITE	ANY						
(01)	F....1	54.14.4050	STECKER	50 PIN,LOETSEITE,ACTION PIN	ANY						
(00)	F....2	54.14.2002	STECKER	16 PIN,LOETSEITE	ANY	ORIG 89/09/14 (01) 89/10/13 (02) 90/09/06					
S T U D E R (02) 90/09/06 LAR AL KEYS + DISPLAY, ESE PL 1.328.611.00 PAGE 7						S T U D E R (02) 90/09/06 LAR AL KEYS + DISPLAY, ESE PL 1.328.611.00 PAGE 10					
IND.	POS.NO.	PART NO.	VALUE	SPECIFICATIONS / EQUIVALENT	MANUF.						
(01)	F....2	54.14.4016	STECKER	16 PIN,LOETSEITE,ACTION PIN	ANY						
	S....1	55.15.0501	TASTE	1U, OHNE KNOPF	ANY						
	S....2	55.15.0501	TASTE	1U, OHNE KNOPF	ANY						
	S....3	55.15.0501	TASTE	1U, OHNE KNOPF	ANY						
	S....4	55.15.0501	TASTE	1U, OHNE KNOPF	ANY						
	S....5	55.15.0501	TASTE	1U, OHNE KNOPF	ANY						
	S....6	55.15.0501	TASTE	1U, OHNE KNOPF	ANY						
	S....7	55.15.0501	TASTE	1U, OHNE KNOPF	ANY						
	S....8	55.15.0501	TASTE	1U, OHNE KNOPF	ANY						
	S....9	55.15.0501	TASTE	1U, OHNE KNOPF	ANY						
	S....10	55.15.0501	TASTE	1U, OHNE KNOPF	ANY						
	S....13	55.15.0501	TASTE	1U, OHNE KNOPF	ANY						
	S....14	55.15.0501	TASTE	1U, OHNE KNOPF	ANY						
	S....15	55.15.0501	TASTE	1U, OHNE KNOPF	ANY						
	S....16	55.15.0501	TASTE	1U, OHNE KNOPF	ANY						
	S....17	55.15.0501	TASTE	1U, OHNE KNOPF	ANY						
	S....18	55.15.0501	TASTE	1U, OHNE KNOPF	ANY						
	S....19	55.15.0501	TASTE	1U, OHNE KNOPF	ANY						
	S....20	55.15.0501	TASTE	1U, OHNE KNOPF	ANY						
	S....21	55.15.0501	TASTE	1U, OHNE KNOPF	ANY						
	S....22	55.15.0501	TASTE	1U, OHNE KNOPF	ANY						
	S....23	55.15.0501	TASTE	1U, OHNE KNOPF	ANY						
	S....24	55.15.0501	TASTE	1U, OHNE KNOPF	ANY						
	S....25	55.15.0501	TASTE	1U, OHNE KNOPF	ANY						
	S....26	55.15.0501	TASTE	1U, OHNE KNOPF	ANY						
	S....27	55.15.0501	TASTE	1U, OHNE KNOPF	ANY						
	S....28	55.15.0501	TASTE	1U, OHNE KNOPF	ANY						
	S....29	55.15.0501	TASTE	1U, OHNE KNOPF	ANY						
	S....30	55.15.0501	TASTE	1U, OHNE KNOPF	ANY						
	S....31	55.15.0501	TASTE	1U, OHNE KNOPF	ANY						
	S....32	55.15.0501	TASTE	1U, OHNE KNOPF	ANY						
	S....33	55.15.0501	TASTE	1U, OHNE KNOPF	ANY						
	S....34	55.15.0501	TASTE	1U, OHNE KNOPF	ANY						
	S....36	55.15.0501	TASTE	1U, OHNE KNOPF	ANY						
	S....37	55.15.0501	TASTE	1U, OHNE KNOPF	ANY						
	S....38	55.15.0501	TASTE	1U, OHNE KNOPF	ANY						
S T U D E R (02) 90/09/06 LAR AL KEYS + DISPLAY, ESE PL 1.328.611.00 PAGE 8											
IND.	POS.NO.	PART NO.	VALUE	SPECIFICATIONS / EQUIVALENT	MANUF.						
	S....39	55.15.0501	TASTE	1U, OHNE KNOPF	ANY						
	S....40	55.15.0501	TASTE	1U, OHNE KNOPF	ANY						
	S....41	55.15.0501	TASTE	1U, OHNE KNOPF	ANY						
	S....42	55.15.0501	TASTE	1U, OHNE KNOPF	ANY						
	S....43	55.15.0501	TASTE	1U, OHNE KNOPF	ANY						
	S....44	55.15.0501	TASTE	1U, OHNE KNOPF	ANY						
	S....45	55.15.0501	TASTE	1U, OHNE KNOPF	ANY						
	S....46	55.15.0501	TASTE	1U, OHNE KNOPF	ANY						
	S....48	55.15.0501	TASTE	1U, OHNE KNOPF	ANY						
	S....49	55.15.0501	TASTE	1U, OHNE KNOPF	ANY						
	S....50	55.15.0501	TASTE	1U, OHNE KNOPF	ANY						
	S....51	55.15.0501	TASTE	1U, OHNE KNOPF	ANY						
	S....52	55.15.0501	TASTE	1U, OHNE KNOPF	ANY						
	S....53	55.15.0501	TASTE	1U, OHNE KNOPF	ANY						
	S....54	55.15.0501	TASTE	1U, OHNE KNOPF	ANY						
	S....55	55.15.0501	TASTE	1U, OHNE KNOPF	ANY						
	S....56	55.15.0501	TASTE	1U, OHNE KNOPF	ANY						
	S....57	55.15.0501	TASTE	1U, OHNE KNOPF	ANY						
	S....58	55.15.0501	TASTE	1U, OHNE KNOPF	ANY						
	S....59	55.15.0501	TASTE	1U, OHNE KNOPF	ANY						
	S....60	55.15.0501	TASTE	1U, OHNE KNOPF	ANY						
	S....61	55.15.0501	TASTE	1U, OHNE KNOPF	ANY						
	S....62	55.15.0501	TASTE	1U, OHNE KNOPF	ANY						
	S....63	55.15.0501	TASTE	1U, OHNE KNOPF	ANY						
	S....64	55.15.0501	TASTE	1U, OHNE KNOPF	ANY						
	S....65	55.15.0501	TASTE	1U, OHNE KNOPF	ANY						
	XDL..1	53.03.0228	SIL SOCK.	*** QTY 240 ***	ANY						
	XDL..2	1.328.611.02	UNTERLAGE	FUER 7-SEGMENT	ST						
	XDL..3	1.328.611.02	UNTERLAGE	FUER 7-SEGMENT	ST						
S T U D E R (02) 90/09/06 LAR AL KEYS + DISPLAY, ESE PL 1.328.611.00 PAGE 9											

AL REMBUS + UP 1.328.612.21

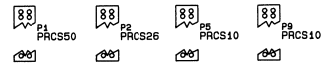
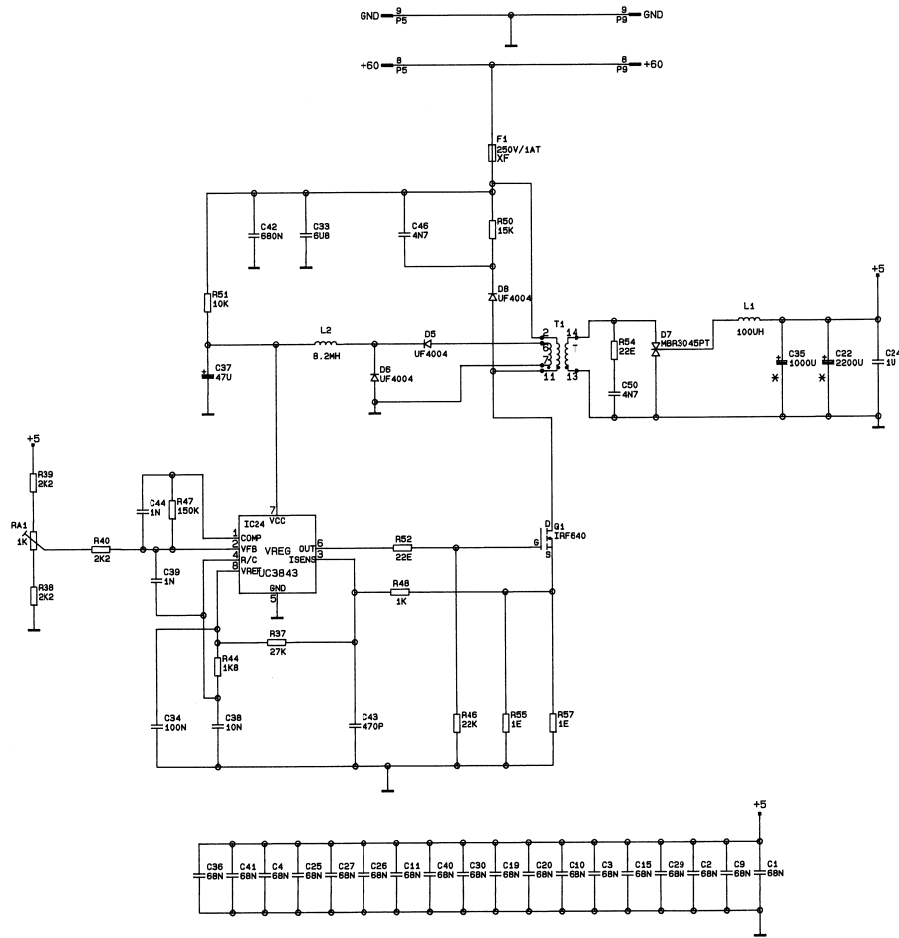


AL REMBUS + UP 1.328.612.21



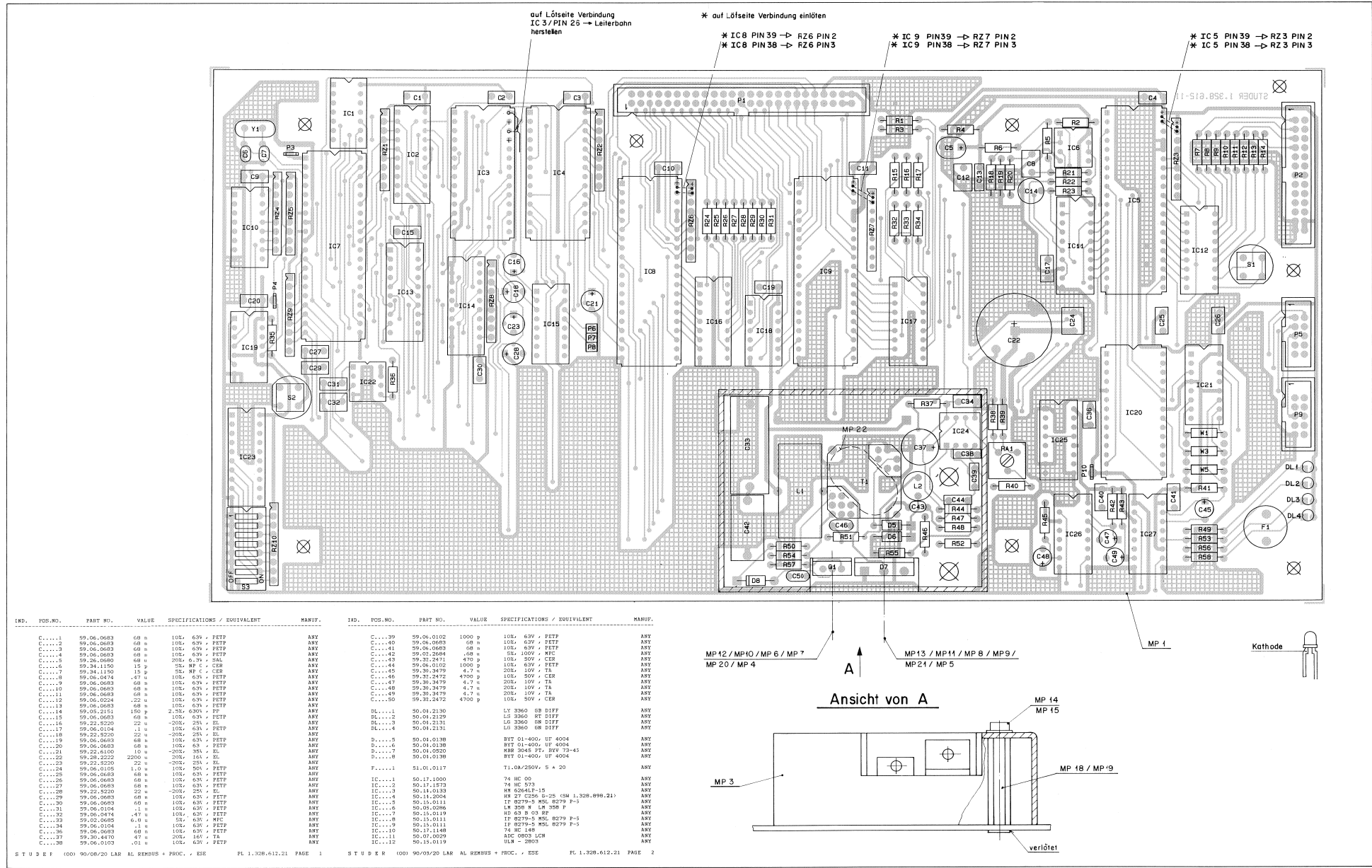
②3.08.90 LAR					
			D820 MCH		PAGE 2 OF 3
STUDER		AL REMBUS + UP PCB		SC 1.328.612-21	

AL REMBUS + UP 1.328.612.21



*C22 ODER C35 BESTUCKEN

① 23.08.90 LAR			
		D820 MCH	PAGE 3 OF 3
STUDER	AL REMBUS + UP PCB	SC	1.328.612-21



AL REMBUS + UP 1.328.612.21

IND.	POS.NO.	PART NO.	VALUE	SPECIFICATIONS / EQUIVALENT	MANUF.	IND.	POS.NO.	PART NO.	VALUE	SPECIFICATIONS / EQUIVALENT	MANUF.
IC...	13	50.17.1645		74 HC 245	ANY	R....	55	57.11.3109	1.0 E	1%, 0207, MF	ANY
IC...	14	50.18.0160		16 V 8 * 25 LP (SW 1.328.897.20)	ANY	R....	56	57.11.3331	330 E	1%, 0207, MF	ANY
IC...	15	50.15.0120		MAX 232 CPE	ANY	R....	57	57.11.3109	1.0 E	1%, 0207, MF	ANY
IC...	16	50.15.0119		ULN - 2803	ANY	R....	58	57.11.3331	330 E	1%, 0207, MF	ANY
IC...	17	50.15.0117		ULM 2500	ANY	RA....	1	58.01.8102	1 k	10% .5 W, FMG	ANY
IC...	18	50.17.1004		74 HC 04	ANY	RZ....	1	57.88.4332		8 * 3.3 K, 2K, SIP 9	ANY
IC...	19	50.21.0000		74 F 00	ANY	RZ....	2	57.88.4332		8 * 3.3 K, 2K, SIP 9	ANY
IC...	20	50.16.0153		SAB 82520-P	ANY	RZ....	3	57.88.4332		8 * 3.3 K, 2K, SIP 9	ANY
IC...	21	50.15.0104		MC 3486 F DS 3486	ANY	RZ....	4	57.88.4332		8 * 3.3 K, 2K, SIP 9	ANY
IC...	22	50.11.0122		TL 1705 ACP	ANY	RZ....	5	57.88.4332		8 * 3.3 K, 2K, SIP 9	ANY
IC...	23	50.17.1540		74 HC 540	ANY	RZ....	6	57.88.4332		8 * 3.3 K, 2K, SIP 9	ANY
IC...	24	50.10.0113		IP 3843 N	ANY	RZ....	7	57.88.4332		8 * 3.3 K, 2K, SIP 9	ANY
IC...	25	50.15.0121		SN 75174 N	ANY	RZ....	8	57.88.4102		8 * 3.3 K, 2K, SIP 9	ANY
IC...	26	50.17.1123		74 HC 123	ANY	RZ....	9	57.88.4332		8 * 3.3 K, 2K, SIP 9	ANY
IC...	27	50.17.1123		74 HC 123	ANY	RZ....	10	57.88.4102		8 * 3.3 K, 2K, SIP 9	ANY
L....	1	62.03.0040	100 uH	5A, FILTER	ANY	S....	1	55.15.0130		1 TASTE 1A, IMPULS GR	ANY
L....	2	62.02.1822	8.2 mH	5K, FILTER	ANY	S....	2	55.15.0130		1 TASTE 1A, IMPULS GR	ANY
MP....	1	1.328.612.11		AL CPU-PCB	ST	S....	3	55.01.0168		8A, DIL SWITCH	ANY
MP....	2	1.328.612.01		NR.-ETIKETTE 5x20	ST	T....	1	1.022.628.00		SWITCHING TRANSFORMER	ST
MP....	3	1.062.812.02		ABSCHIRMHAUBE	ST	W....	1	57.11.3000	0 E	0207, MF	ANY
MP....	4	21.53.0356		Z - SCHR. IS, ZM, M 3 * 10	ANY	W....	2	57.11.3000	0 E	0207, MF	ANY
MP....	5	21.53.0356		Z - SCHR. IS, ZM, M 3 * 10	ANY	W....	3	57.11.3000	0 E	0207, MF	ANY
MP....	6	37.01.0101		TELLERFEDER D 3.2/8 * 0.3	ANY	W....	4	57.11.3000	0 E	0207, MF	ANY
MP....	7	37.01.0101		TELLERFEDER D 3.2/8 * 0.3	ANY	W....	5	57.11.3000	0 E	0207, MF	ANY
MP....	8	37.01.0101		TELLERFEDER D 3.2/8 * 0.3	ANY	W....	6	57.11.3000	0 E	0207, MF	ANY
MP....	9	37.01.0101		TELLERFEDER D 3.2/8 * 0.3	ANY	W....	7	57.11.3000	0 E	0207, MF	ANY
MP....	10	50.20.0404		ISOLIERDURCHFUEHRUNG D 6.0/3.5	ANY	W....	8	57.11.3000	0 E	0207, MF	ANY
MP....	11	50.20.0404		ISOLIERDURCHFUEHRUNG D 6.0/3.5	ANY	XT....	1	53.03.0116		5 * 20 PRINT-STEHEND	ANY
MP....	12	50.20.0305		TO 220 GLIMMERSCHIBE GEFETTET	ANY	XIC...	3	53.03.0173		DIL 28-POL	ANY
MP....	13	50.20.0305		TO 218 GLIMMERSCHIBE GEFETTET	ANY	XIC...	4	53.03.0173		DIL 28-POL	ANY
MP....	14	21.53.9354		Z-SCHRAUBE IS, M 3 * 6 m. Sich'scheibe	ANY	XIC...	5	53.03.0172		DIL 40-POL	ANY
MP....	15	21.53.9354		Z-SCHRAUBE IS, M 3 * 6 m. Sich'scheibe	ANY	XIC...	6	53.03.0172		DIL 40-POL	ANY
MP....	18	1.010.022.22		NIEHMUTTER M3x25	ANY	XIC...	7	53.03.0172		DIL 40-POL	ANY
MP....	19	1.010.022.22		NIEHMUTTER M3x25	ANY	XIC...	8	53.03.0172		DIL 40-POL	ANY
MP....	20	1.010.098.27		DIST.-BOLZEN 2.3mm	ANY	XIC...	9	53.03.0172		DIL 40-POL	ANY

S T U D E R (00) 90/08/20 LAR AL REMBUS + PROC. , ESE PL 1.328.612.21 PAGE 3 S T U D E R (00) 90/08/20 LAR AL REMBUS + PROC. , ESE PL 1.328.612.21 PAGE 6

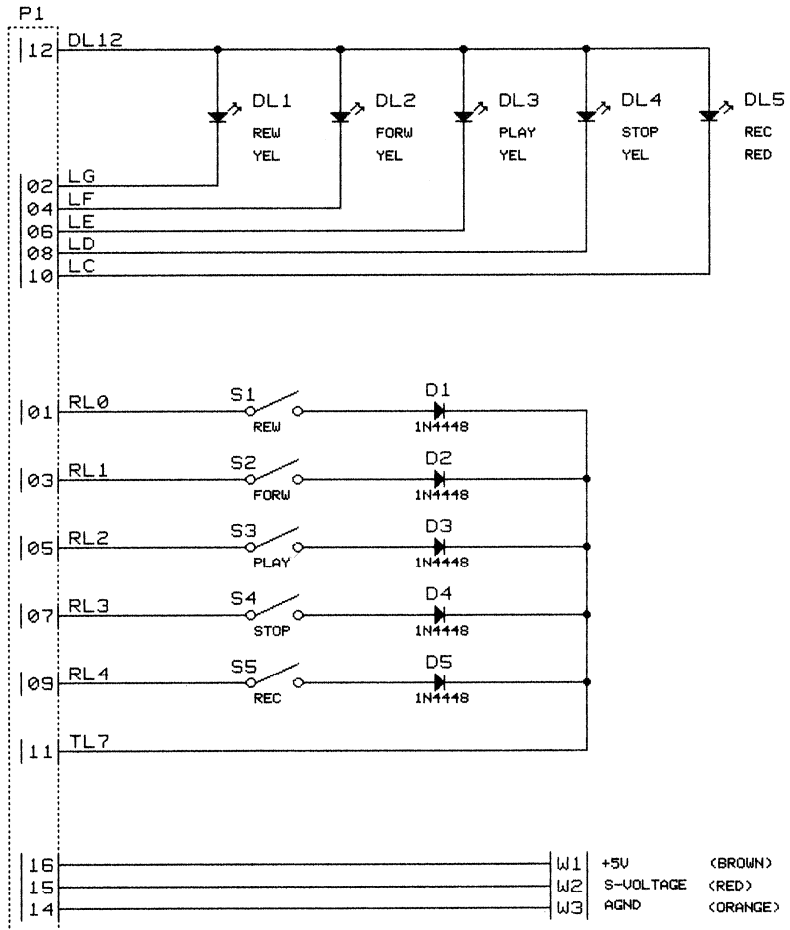
IND.	POS.NO.	PART NO.	VALUE	SPECIFICATIONS / EQUIVALENT	MANUF.	IND.	POS.NO.	PART NO.	VALUE	SPECIFICATIONS / EQUIVALENT	MANUF.
MP....	21	1.010.098.27		DIST.-BOLZEN 2.3mm	ANY	XIC...	14	53.03.0165		DIL 20-POL	ANY
MP....	22	1.010.002.61		UNTERLAGE ZU TRAPU	ANY	XIC...	20	53.03.0173		DIL 28-POL	ANY
MP....	23	1.010.15.51		ETIKETTE SICHERUNG	ST	XIC...	21	53.03.0168		DIL 16-POL	ANY
MP....	24	1.101.001.21		ETIKETTE HARDWARE 21	ST	XIC...	25	53.03.0168		DIL 16-POL	ANY
MP....	25	43.01.0108		ESE-WARNSCHILD	ANY	Y....	1	89.01.0560	4.9152 MHZ		ANY
MP....	26	89.01.1499		QUARZ-UNTERLAGE	ANY						
P....	1	54.14.2005		STECKER 50 P, SN, GERADE	ANY						
P....	2	54.14.2003		STECKER 26 P, SN, GERADE	ANY						
P....	3	54.02.0320		FLACH 2.8x0.8, GERADE	ANY						
P....	4	54.02.0320		FLACH 2.8x0.8, GERADE	ANY						
P....	5	54.14.2001		STECKER 10 P, SN, GERADE	ANY						
P....	6	54.01.0020		STIFT .63x.63 H=11.3	ANY						
P....	7	54.01.0020		STIFT .63x.63 H=11.3	ANY						
P....	8	54.01.0020		STIFT .63x.63 H=11.3	ANY						
P....	9	54.14.2001		STECKER 10 P, SN, GERADE	ANY						
P....	10	54.02.0320		FLACH 2.8x0.8, GERADE	ANY						
Q....	1	50.03.1510		IRF 640	ANY						
R....	1	57.11.3220	22 E	1%, 0207, MF	ANY						
R....	2	57.11.3220	5.6 k	1%, 0207, MF	ANY						
R....	3	57.11.3220	22 E	1%, 0207, MF	ANY						
R....	4	57.11.3100	10 E	1%, 0207, MF	ANY						
R....	5	57.11.3243	24 k	1%, 0207, MF	ANY						
R....	6	57.11.3104	100 k	1%, 0207, MF	ANY						
R....	7	57.11.3220	22 E	1%, 0207, MF	ANY						
R....	8	57.11.3220	22 E	1%, 0207, MF	ANY						
R....	9	57.11.3220	22 E	1%, 0207, MF	ANY						
R....	10	57.11.3220	22 E	1%, 0207, MF	ANY						
R....	11	57.11.3220	22 E	1%, 0207, MF	ANY						
R....	12	57.11.3220	22 E	1%, 0207, MF	ANY						
R....	13	57.11.3220	22 E	1%, 0207, MF	ANY						
R....	14	57.11.3220	22 E	1%, 0207, MF	ANY						
R....	15	57.11.3220	22 E	1%, 0207, MF	ANY						
R....	16	57.11.3220	22 E	1%, 0207, MF	ANY						
R....	17	57.11.3220	22 E	1%, 0207, MF	ANY						

S T U D E R (00) 90/08/20 LAR AL REMBUS + PROC. , ESE PL 1.328.612.21 PAGE 4 S T U D E R (00) 90/08/20 LAR AL REMBUS + PROC. , ESE PL 1.328.612.21 PAGE 7

IND.	POS.NO.	PART NO.	VALUE	SPECIFICATIONS / EQUIVALENT	MANUF.
R....	18	57.11.3104	100 k	1%, 0207, MF	ANY
R....	19	57.11.3182	1.8 k	1%, 0207, MF	ANY
R....	20	57.11.3101	100 E	1%, 0207, MF	ANY
R....	21	57.11.3243	24 k	1%, 0207, MF	ANY
R....	22	57.11.3101	100 E	1%, 0207, MF	ANY
R....	23	57.11.3103	10 k	1%, 0207, MF	ANY
R....	24	57.11.3220	22 E	1%, 0207, MF	ANY
R....	25	57.11.3220	22 E	1%, 0207, MF	ANY
R....	26	57.11.3220	22 E	1%, 0207, MF	ANY
R....	27	57.11.3220	22 E	1%, 0207, MF	ANY
R....	28	57.11.3220	22 E	1%, 0207, MF	ANY
R....	29	57.11.3220	22 E	1%, 0207, MF	ANY
R....	30	57.11.3220	22 E	1%, 0207, MF	ANY
R....	31	57.11.3220	22 E	1%, 0207, MF	ANY
R....	32	57.11.3220	22 E	1%, 0207, MF	ANY
R....	33	57.11.3220	22 E	1%, 0207, MF	ANY
R....	34	57.11.3220	22 E	1%, 0207, MF	ANY
R....	35	57.11.3102	1 k	1%, 0207, MF	ANY
R....	36	57.11.3471	470 E	1%, 0207, MF	ANY
R....	37	57.11.3273	27 k	1%, 0207, MF	ANY
R....	38	57.11.3222	2.2 k	1%, 0207, MF	ANY
R....	39	57.11.3222	2.2 k	1%, 0207, MF	ANY
R....	40	57.11.3222	2.2 k	1%, 0207, MF	ANY
R....	41	57.11.3153	15 k	1%, 0207, MF	ANY
R....	42	57.11.3153	15 k	1%, 0207, MF	ANY
R....	43	57.11.3153	15 k	1%, 0207, MF	ANY
R....	44	57.11.3182	1.8 k	1%, 0207, MF	ANY
R....	45	57.11.3153	15 k	1%, 0207, MF	ANY
R....	46	57.11.3203	22 E	1%, 0207, MF	ANY
R....	47	57.11.3154	150 k	1%, 0207, MF	ANY
R....	48	57.11.3102	1 k	1%, 0207, MF	ANY
R....	49	57.11.3331	330 E	1%, 0207, MF	ANY
R....	50	57.11.3153	15 k	1%, 0207, MF	ANY
R....	51	57.11.3103	10 k	1%, 0207, MF	ANY
R....	52	57.11.3220	22 E	1%, 0207, MF	ANY
R....	53	57.11.3331	330 E	1%, 0207, MF	ANY
R....	54	57.11.3220	22 E	1%, 0207, MF	ANY

S T U D E R (00) 90/08/20 LAR AL REMBUS + PROC. , ESE PL 1.328.612.21 PAGE 5

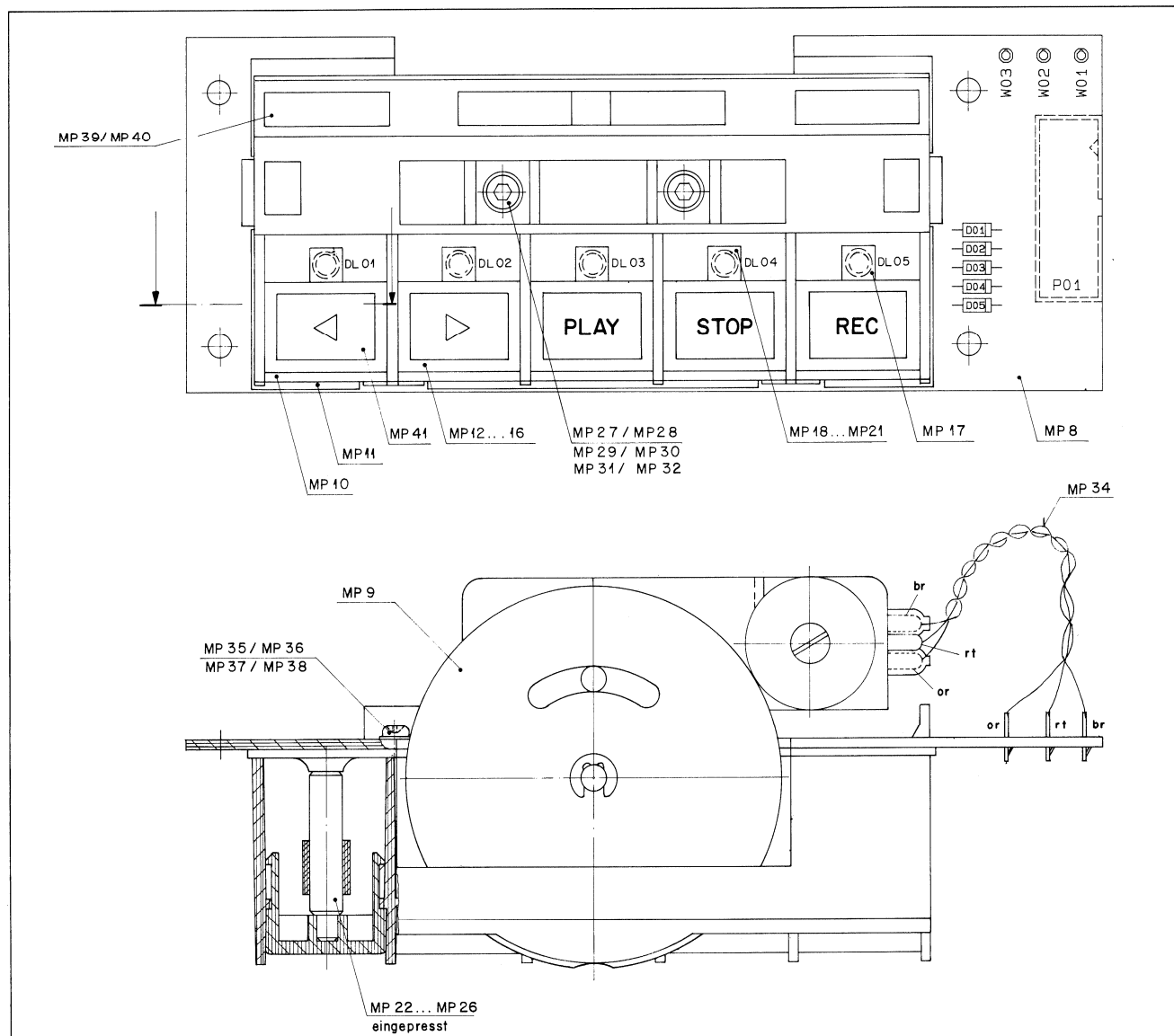
AL SHUTTLE 1.328.613.00



© 27.09.89 BAD				
		D820MCH AUTOLOCATOR		PAGE 1 OF 1
STUDER	AL SHUTTLE		SC	1.328.613.00

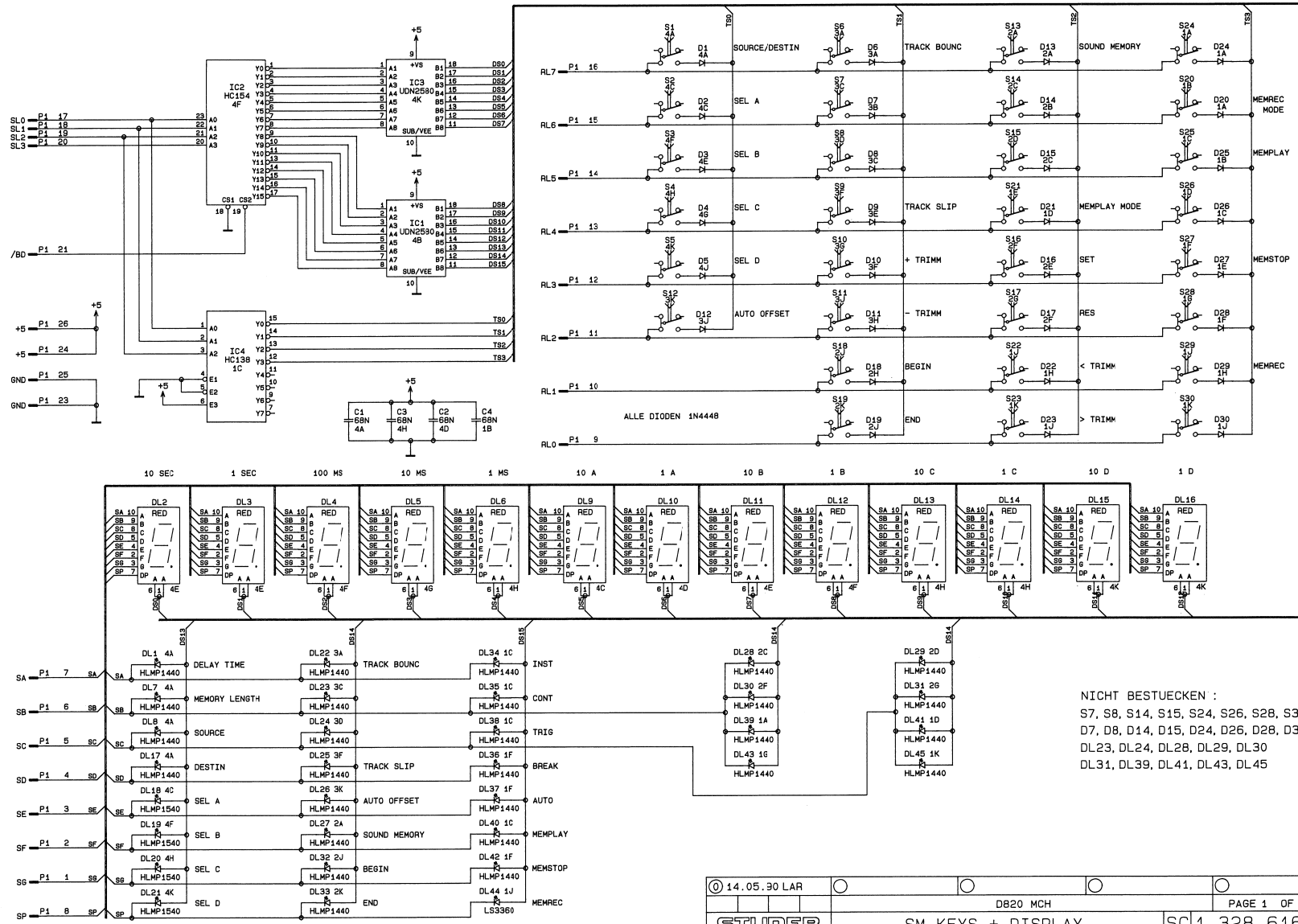
STUDER D820 MCH

AL SHUTTLE 1.328.613.00

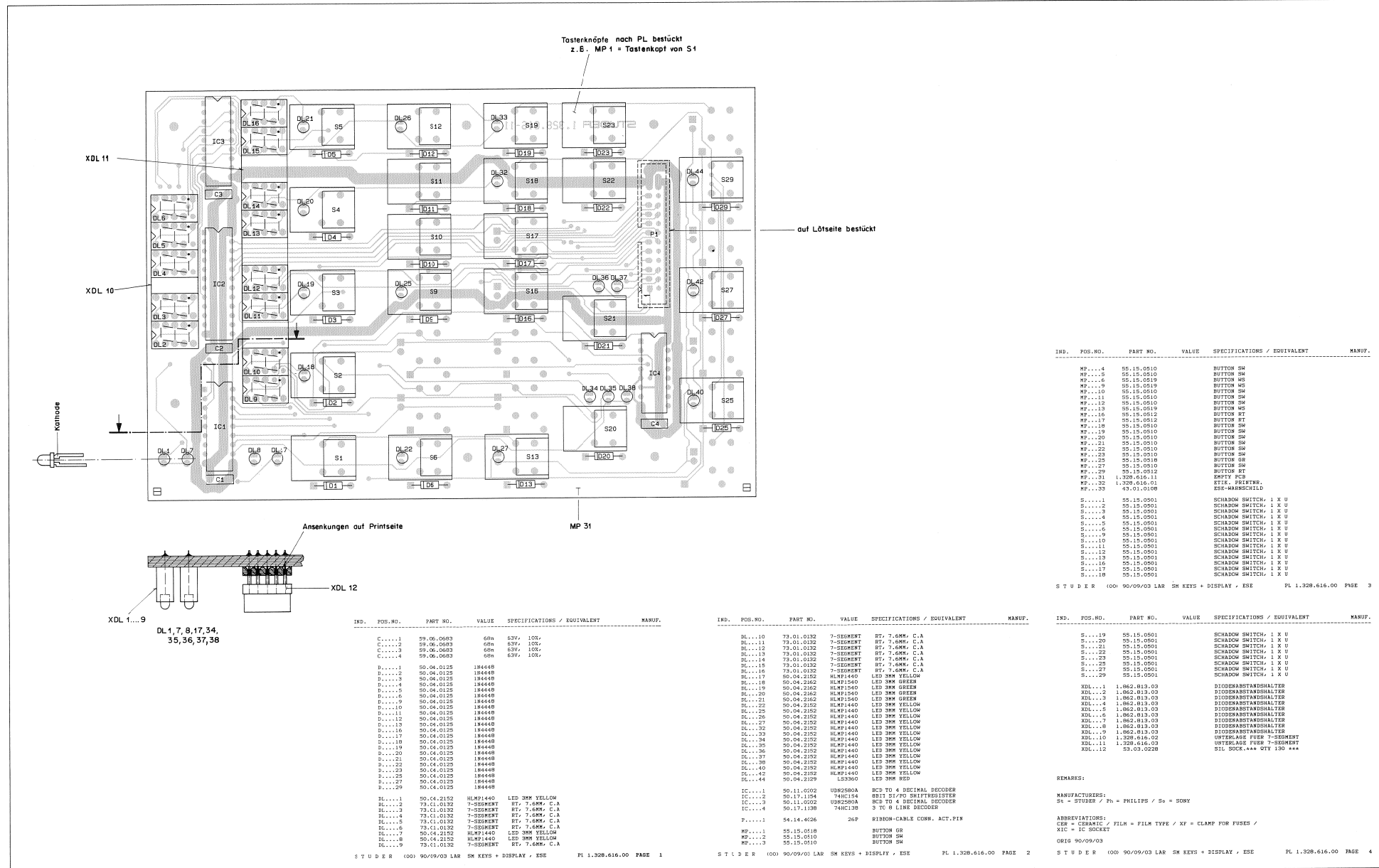


IND.	POS.NO.	PART NO.	VALUE	SPECIFICATIONS / EQUIVALENT	MANUF.	IND.	POS.NO.	PART NO.	VALUE	SPECIFICATIONS / EQUIVALENT	MANUF.
D...	01	50.04.0125	1N 4448	SI	ANY	MP...	39	1.328.613.01		NR.-ETIKETTE 5x20	ST
D...	02	50.04.0125	1N 4448	SI	ANY	MP...	37	23.01.1025		U-SCHEIBE M2.3	ANY
D...	03	50.04.0125	1N 4448	SI	ANY	MP...	38	23.01.1025		U-SCHEIBE M2.3	ANY
D...	04	50.04.0125	1N 4448	SI	ANY	MP...	39	1.011.235.35		BLINDEINSATZ	ST
D...	05	50.04.0125	1N 4448	ST	ANY	MP...	40	1.011.235.35		BLINDEINSATZ	ST
DL...	01	50.04.2152	HLMF 1440	GB KLAR	ANY	MP...	41	1.727.360.06		SCHILDERSATZ	ST
DL...	02	50.04.2152	HLMF 1440	GB KLAR	ANY	F....	01	54.14.2102		P STECKER 16 P, SW, GERADE	ANY
DL...	03	50.04.2152	HLMF 1440	GB KLAR	ANY	W....	1	1.328.613.93		LITZE BRAUN	ANY
DL...	04	50.04.2152	HLMF 1440	GB KLAR	ANY	W....	2	1.328.613.93		LITZE ROT	ANY
DL...	05	50.04.2200	HLMF 1700	RT DIFF	ANY	W....	3	1.328.613.93		LITZE ORANGE	ANY
MP...	08	1.328.613.11		AL SHUTTLE PCB	ST	XDL...	1	53.03.0218		LED-SOCKEL *** QTY 2 ***	ANY
MP...	09	1.727.180.00		SHUTTLE-POT. KPL.	ST	XDL...	2	53.03.0218		LED-SOCKEL *** QTY 2 ***	ANY
MP...	10	1.727.360.02		TASTENGRABEUSE	ST	XDL...	3	53.03.0218		LED-SOCKEL *** QTY 2 ***	ANY
MP...	11	1.727.360.03		SCHALTMATTE	ANY	XDL...	4	53.03.0218		LED-SOCKEL *** QTY 2 ***	ANY
MP...	12	1.727.360.04		DRUCKTASTE 19/14	ST	XDL...	5	53.03.0218		LED-SOCKEL *** QTY 2 ***	ANY
MP...	13	1.727.360.04		DRUCKTASTE 19/14	ST	XDL...	5	53.03.0218		LED-SOCKEL *** QTY 2 ***	ANY
MP...	14	1.727.360.04		DRUCKTASTE 19/14	ST						
MP...	15	1.727.360.04		DRUCKTASTE 19/14	ST						
MP...	16	1.727.360.04		DRUCKTASTE 19/14	ST						
MP...	17	1.011.235.32		KALOTTE ROT	ST						
MP...	18	1.011.235.33		KALOTTE GELB	ANY	REMARKS:					
MP...	19	1.011.235.33		KALOTTE GELB	ANY						
MP...	20	1.011.235.33		KALOTTE GELB	ANY						
MP...	21	1.011.235.33		KALOTTE GELB	ANY						
MP...	22	1.011.235.29		BOLZEN	ANY	MANUFACTURERS:					
MP...	23	1.011.235.29		BOLZEN	ANY	St = STUDER / Ph = PHILIPS / So = SONY					
MP...	24	1.011.235.29		BOLZEN	ANY						
MP...	25	1.011.235.29		BOLZEN	ANY						
MP...	26	1.011.235.29		BOLZEN	ANY						
MP...	27	21.53.0354		Z - SCHR. IS, ZN, M 3 x 6	ANY	ABBREVIATIONS:					
MP...	28	21.53.0354		Z - SCHR. IS, ZN, M 3 x 6	ANY	CER = CERAMIC / FILM = FILM TYPE / XF = CLAMP FOR FUSES /					
MP...	29	24.16.1030		RIPPENSCHLEIBE D 3.2/5.5	ANY	XIC = IC SOCKET					
MP...	30	24.16.1030		RIPPENSCHLEIBE D 3.2/5.5	ANY						
MP...	31	23.01.2032		U-SCHLEIBE D 3.2/ 7 40.5	ANY						
MP...	32	23.01.2032		U-SCHLEIBE D 3.2/ 7 40.5	ANY	ORIG 89/09/28					

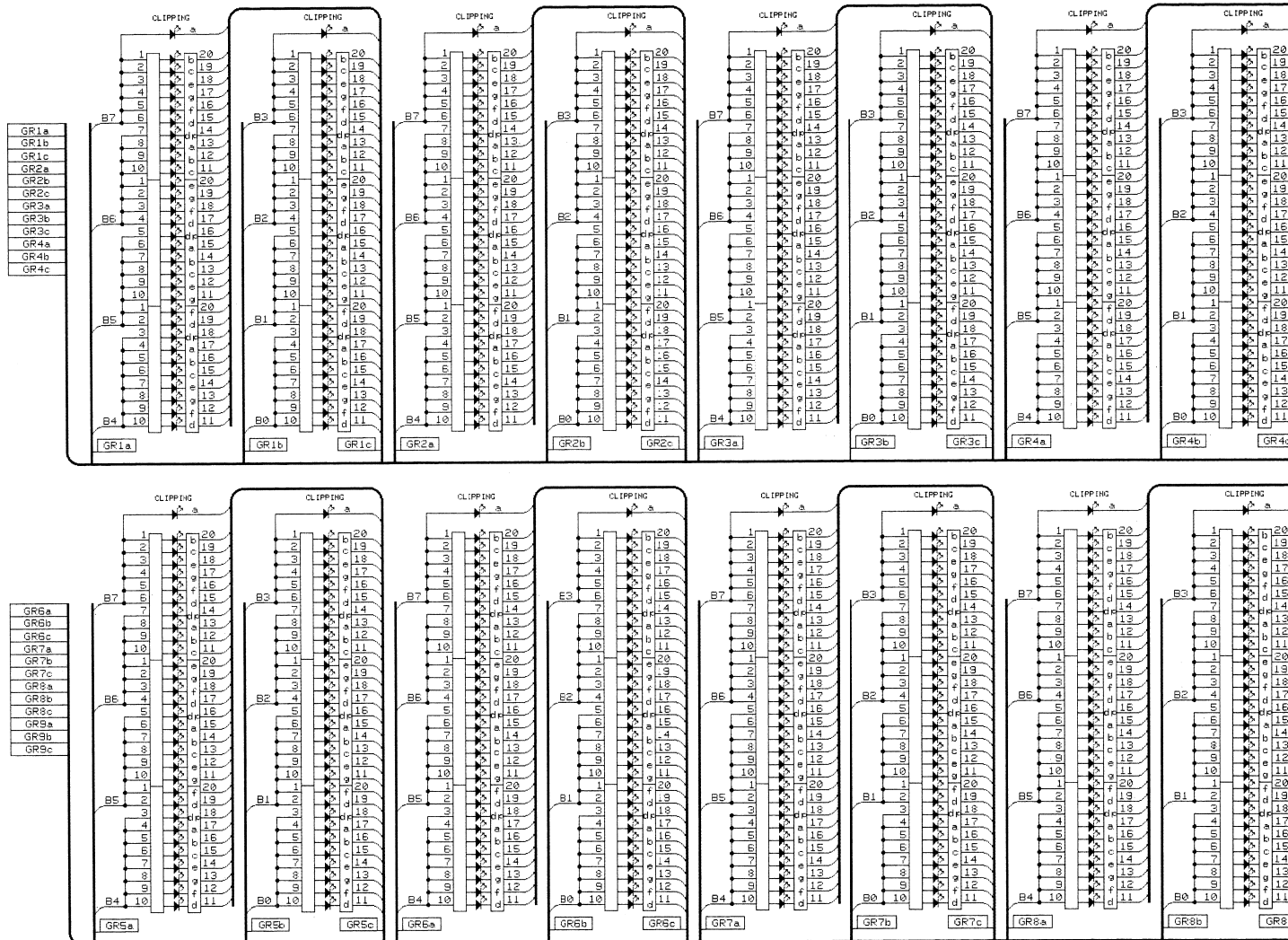
SMEM KEYS & DISPLAY 1.328.616.00



SMEM KEYS & DISPLAY 1.328.616.00

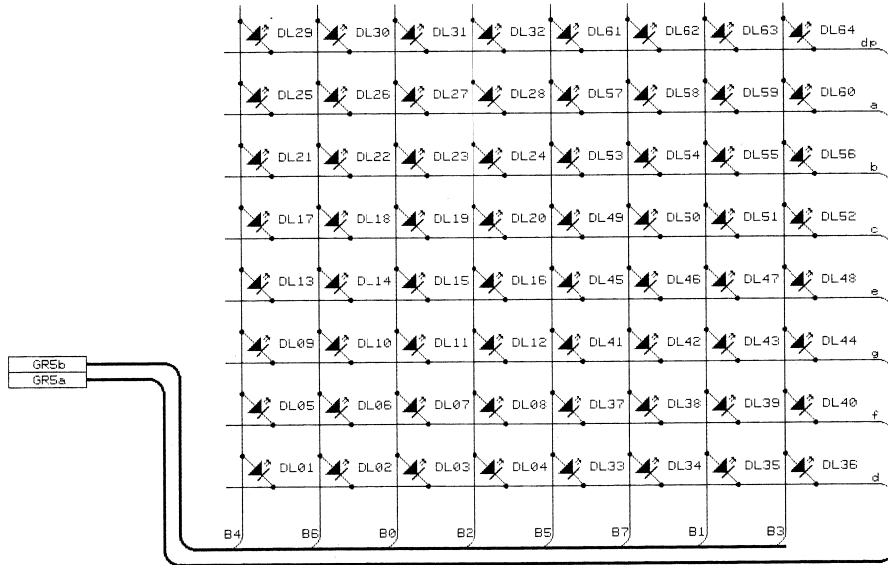


RDP LEVELS 1.328.621.00



© 13.12.89 BAD	D820MCH REMOTE DISPLAY PANEL	PAGE 1 OF 2
STUDER	RDP LEVELS	SC 1.328.621.00

RDP LEVELS 1.328.621.00



INO.	POS.NO.	PART NO.	VALUE	SPECIFICATIONS / EQUIVALENT	MANUF.
DL...	02	50.04.2162		HMP 1540 GN CLEAR	ANY
DL...	04	50.04.2129		LS 3360 RT DIFF	ANY
DL...	07	50.04.2162		HMP 1540 GN CLEAR	ANY
DL...	08	50.04.2129		LS 3360 RT DIFF	ANY
DL...	11	50.04.2162		HMP 1540 GN CLEAR	ANY
DL...	12	50.04.2129		LS 3360 RT DIFF	ANY
DL...	15	50.04.2162		HMP 1540 GN CLEAR	ANY
DL...	16	50.04.2129		LS 3360 RT DIFF	ANY
DL...	19	50.04.2162		HMP 1540 GN CLEAR	ANY
DL...	20	50.04.2129		LS 3360 RT DIFF	ANY
DL...	23	50.04.2162		HMP 1540 GN CLEAR	ANY
DL...	24	50.04.2129		LS 3360 RT DIFF	ANY
DL...	27	50.04.2162		HMP 1540 GN CLEAR	ANY
DL...	28	50.04.2129		LS 3360 RT DIFF	ANY
DL...	31	50.04.2162		HMP 1540 GN CLEAR	ANY
DL...	32	50.04.2129		LS 3360 RT DIFF	ANY
DL...	36	50.04.2129		HMP 1540 GN CLEAR	ANY
DL...	39	50.04.2162		LS 3360 RT DIFF	ANY
DL...	40	50.04.2129		HMP 1540 GN CLEAR	ANY
DL...	43	50.04.2162		LS 3360 RT DIFF	ANY
DL...	44	50.04.2129		HMP 1540 GN CLEAR	ANY
DL...	47	50.04.2162		LS 3360 RT DIFF	ANY
DL...	49	50.04.2129		HMP 1540 GN CLEAR	ANY
DL...	51	50.04.2162		LS 3360 RT DIFF	ANY
DL...	52	50.04.2129		HMP 1540 GN CLEAR	ANY
DL...	53	50.04.2162		LS 3360 RT DIFF	ANY
DL...	56	50.04.2129		HMP 1540 GN CLEAR	ANY
DL...	59	50.04.2162		LS 3360 RT DIFF	ANY
DL...	60	50.04.2129		HMP 1540 GN CLEAR	ANY
DL...	63	50.04.2162		LS 3360 RT DIFF	ANY
DL...	64	50.04.2129		HMP 1540 GN CLEAR	ANY
DL...	65	50.04.2129		LS 3360 RT DIFF	ANY
DL...	66	50.04.2129		LS 3360 RT DIFF	ANY
DL...	67	50.04.2129		LS 3360 RT DIFF	ANY
DL...	68	50.04.2129		LS 3360 RT DIFF	ANY
DL...	69	50.04.2129		LS 3360 RT DIFF	ANY

STUDER (00) 90/06/05 BAD RDP LEVELS PL 1.328.621.00 PAGE 1

INO.	POS.NO.	PART NO.	VALUE	SPECIFICATIONS / EQUIVALENT	MANUF.
DL...	70	50.04.2129		LS 3360 RT DIFF	ANY
DL...	71	50.04.2129		LS 3360 RT DIFF	ANY
DL...	72	50.04.2129		LS 3360 RT DIFF	ANY
DL...	73	50.04.2129		LS 3360 RT DIFF	ANY
DL...	74	50.04.2129		LS 3360 RT DIFF	ANY
DL...	75	50.04.2129		LS 3360 RT DIFF	ANY
DL...	76	50.04.2129		LS 3360 RT DIFF	ANY
DL...	77	50.04.2129		LS 3360 RT DIFF	ANY
DL...	78	50.04.2129		LS 3360 RT DIFF	ANY
DL...	79	50.04.2129		LS 3360 RT DIFF	ANY
DL...	80	50.04.2129		LS 3360 RT DIFF	ANY
DLZ...	01	50.04.2150		DIZ MV 57164 " 6 " 10AD RT	ANY
DLZ...	02	50.04.2150		DIZ MV 57164 " 6 " 10AD RT	ANY
DLZ...	03	50.04.2150		DIZ MV 57164 " 6 " 10AD RT	ANY
DLZ...	04	50.04.2150		DIZ MV 57164 " 6 " 10AD RT	ANY
DLZ...	05	50.04.2150		DIZ MV 57164 " 6 " 10AD RT	ANY
DLZ...	06	50.04.2150		DIZ MV 57164 " 6 " 10AD RT	ANY
DLZ...	07	50.04.2150		DIZ MV 57164 " 6 " 10AD RT	ANY
DLZ...	08	50.04.2150		DIZ MV 57164 " 6 " 10AD RT	ANY
DLZ...	09	50.04.2150		DIZ MV 57164 " 6 " 10AD RT	ANY
DLZ...	10	50.04.2150		DIZ MV 57164 " 6 " 10AD RT	ANY
DLZ...	11	50.04.2150		DIZ MV 57164 " 6 " 10AD RT	ANY
DLZ...	12	50.04.2150		DIZ MV 57164 " 6 " 10AD RT	ANY
DLZ...	13	50.04.2150		DIZ MV 57164 " 6 " 10AD RT	ANY
DLZ...	14	50.04.2150		DIZ MV 57164 " 6 " 10AD RT	ANY
DLZ...	15	50.04.2150		DIZ MV 57164 " 6 " 10AD RT	ANY
DLZ...	16	50.04.2150		DIZ MV 57164 " 6 " 10AD RT	ANY
DLZ...	17	50.04.2150		DIZ MV 57164 " 6 " 10AD RT	ANY
DLZ...	18	50.04.2150		DIZ MV 57164 " 6 " 10AD RT	ANY
DLZ...	19	50.04.2150		DIZ MV 57164 " 6 " 10AD RT	ANY
DLZ...	20	50.04.2150		DIZ MV 57164 " 6 " 10AD RT	ANY
DLZ...	21	50.04.2150		DIZ MV 57164 " 6 " 10AD RT	ANY
DLZ...	22	50.04.2150		DIZ MV 57164 " 6 " 10AD RT	ANY
DLZ...	23	50.04.2150		DIZ MV 57164 " 6 " 10AD RT	ANY
DLZ...	24	50.04.2150		DIZ MV 57164 " 6 " 10AD RT	ANY
DLZ...	25	50.04.2150		DIZ MV 57164 " 6 " 10AD RT	ANY

STUDER (00) 90/06/05 BAD RDP LEVEL PL 1.328.621.00 PAGE 2

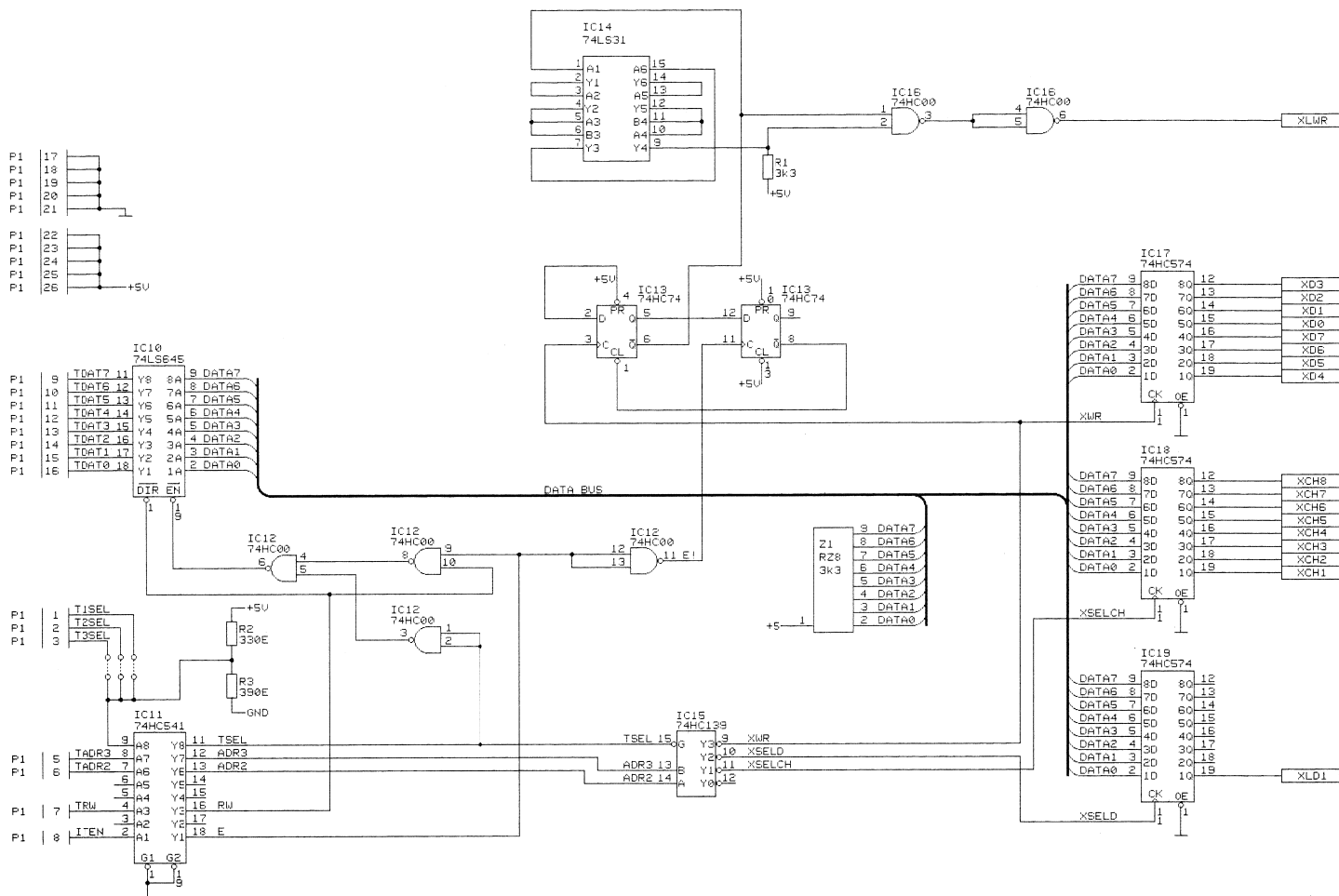
INO.	POS.NO.	PART NO.	VALUE	SPECIFICATIONS / EQUIVALENT	MANUF.
DLZ...	26	50.04.2150		DIZ MV 57164 " 6 " 10AD RT	ANY
DLZ...	27	50.04.2150		DIZ MV 57164 " 6 " 10AD RT	ANY
DLZ...	28	50.04.2150		DIZ MV 57164 " 6 " 10AD RT	ANY
DLZ...	29	50.04.2150		DIZ MV 57164 " 6 " 10AD RT	ANY
DLZ...	30	50.04.2150		DIZ MV 57164 " 6 " 10AD RT	ANY
DLZ...	31	50.04.2150		DIZ MV 57164 " 6 " 10AD RT	ANY
DLZ...	32	50.04.2150		DIZ MV 57164 " 6 " 10AD RT	ANY
DLZ...	33	50.04.2150		DIZ MV 57164 " 6 " 10AD RT	ANY
DLZ...	34	50.04.2150		DIZ MV 57164 " 6 " 10AD RT	ANY
DLZ...	35	50.04.2150		DIZ MV 57164 " 6 " 10AD RT	ANY
DLZ...	36	50.04.2150		DIZ MV 57164 " 6 " 10AD RT	ANY
DLZ...	37	50.04.2150		DIZ MV 57164 " 6 " 10AD RT	ANY
DLZ...	38	50.04.2150		DIZ MV 57164 " 6 " 10AD RT	ANY
DLZ...	39	50.04.2150		DIZ MV 57164 " 6 " 10AD RT	ANY
DLZ...	40	50.04.2150		DIZ MV 57164 " 6 " 10AD RT	ANY
DLZ...	41	50.04.2150		DIZ MV 57164 " 6 " 10AD RT	ANY
DLZ...	42	50.04.2150		DIZ MV 57164 " 6 " 10AD RT	ANY
DLZ...	43	50.04.2150		DIZ MV 57164 " 6 " 10AD RT	ANY
DLZ...	44	50.04.2150		DIZ MV 57164 " 6 " 10AD RT	ANY
DLZ...	45	50.04.2150		DIZ MV 57164 " 6 " 10AD RT	ANY
DLZ...	46	50.04.2150		DIZ MV 57164 " 6 " 10AD RT	ANY
DLZ...	47	50.04.2150		DIZ MV 57164 " 6 " 10AD RT	ANY
DLZ...	48	50.04.2150		DIZ MV 57164 " 6 " 10AD RT	ANY

MP...	01	1.328.621.11		FCB	St
MP...	02	1.328.621.02		UNTERLEGE	St
MP...	03	1.328.621.02		UNTERLEGE	St
MP...	04	28.99.0119		NIETZ	ANY
MP...	05	28.99.0119		NIETZ	ANY
MP...	06	28.99.0119		NIETZ	ANY
MP...	07	28.99.0119		NIETZ	ANY
MP...	08	1.328.621.01		NIETZ-FIKRETZ	St
F...	01	84.01.0358		LEISTE 3 * 32 RUND PRINT	ANY
F...	02	84.01.0358		LEISTE 3 * 32 RUND PRINT	ANY
XL...	01	1.862.813.03		DICKEANSTANDSHALTER	St

STUDER (00) 90/06/05 BAD RDP LEVELS PL 1.328.621.00 PAGE 3

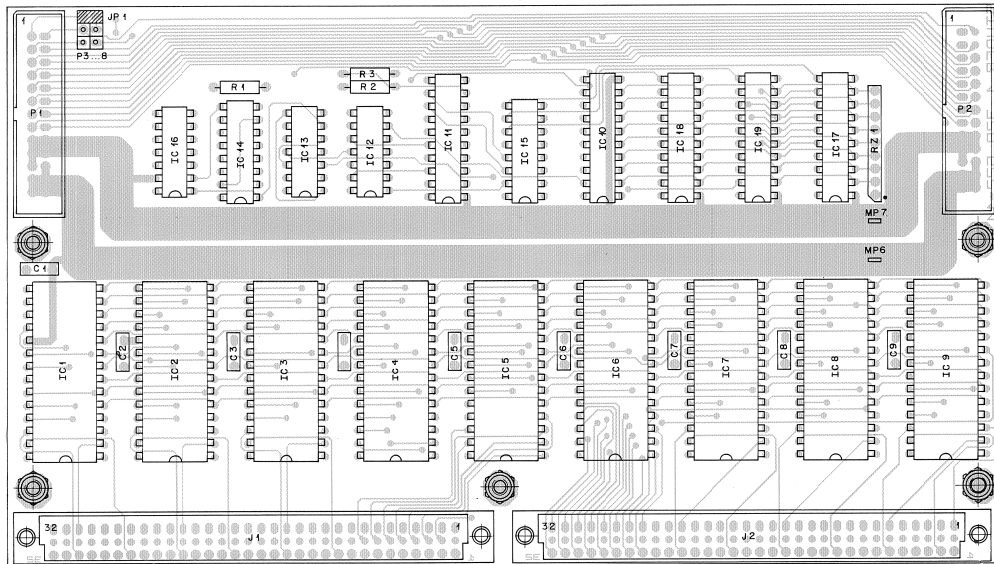
19.03.30 B4d					
		D820MCH REMOTE DISPLAY PANEL			PAGE 2 OF 2
STUDER		RDP LEVELS	SC		1.328.621.00

RDP DRIVERS 1.328.622.00



© 15.03.90 BMD	D820MCH REMOTE DISPLAY PANEL	PAGE 1 OF 2
STUDER	RDP DRIVERS	SC 1.328.622-00

RDP DRIVERS 1.328.622.00



IND.	POS.NO.	PART NO.	VALUE	SPECIFICATIONS / EQUIVALENT	MANUF.
C...	01	59.06.0683	68 n	10%, 63V, PETP	ANY
C...	02	59.06.0683	68 n	10%, 63V, PETP	ANY
C...	03	59.06.0683	68 n	10%, 63V, PETP	ANY
C...	04	59.06.0683	68 n	10%, 63V, PETP	ANY
C...	05	59.06.0683	68 n	10%, 63V, PETP	ANY
C...	06	59.06.0683	68 n	10%, 63V, PETP	ANY
C...	07	59.06.0683	68 n	10%, 63V, PETP	ANY
C...	08	59.06.0683	68 n	10%, 63V, PETP	ANY
C...	09	59.06.0683	68 n	10%, 63V, PETP	ANY
IC...	01	80.07.0035		ICR 7218 A121	ANY
IC...	02	80.07.0035		ICR 7218 A121	ANY
IC...	03	80.07.0035		ICR 7218 A121	ANY
IC...	04	80.07.0035		ICR 7218 A121	ANY
IC...	05	80.07.0035		ICR 7218 A121	ANY
IC...	06	80.07.0035		ICR 7218 A121	ANY
IC...	07	80.07.0035		ICR 7218 A121	ANY
IC...	08	80.07.0035		ICR 7218 A121	ANY
IC...	09	80.07.0035		ICR 7218 A121	ANY
IC...	10	80.06.1845		SN 74 LS 045-1K	ANY
IC...	11	80.17.1541		74 HC 541	ANY
IC...	12	80.17.1005		74 HC 00	ANY
IC...	13	80.17.1074		74 HC 74	ANY
IC...	14	80.06.0028		SN 74 LS 31 W	ANY
IC...	15	80.17.1139		74 HC 139	ANY
IC...	16	80.17.1005		74 HC 00	ANY
IC...	17	80.17.1574		74 HC 274	ANY
IC...	18	80.17.1574		74 HC 274	ANY
IC...	19	80.17.1574		74 HC 274	ANY
J...	01	54.11.2024		EURO 3 x 32, TYP C, PRINT	ANY
J...	02	54.11.2024		EURO 3 x 32, TYP C, PRINT	ANY
JP...	01	54.01.0021		BRUECKE 2x63	ANY
MP...	01	1.328.622.11		PCB	SI
MP...	02	1.328.622.01		MS-ETIKETTE	SI

S T U D E R (00) 90/06/05 BAD RDP DRIVERS PL 1.328.622.00 PAGE 1

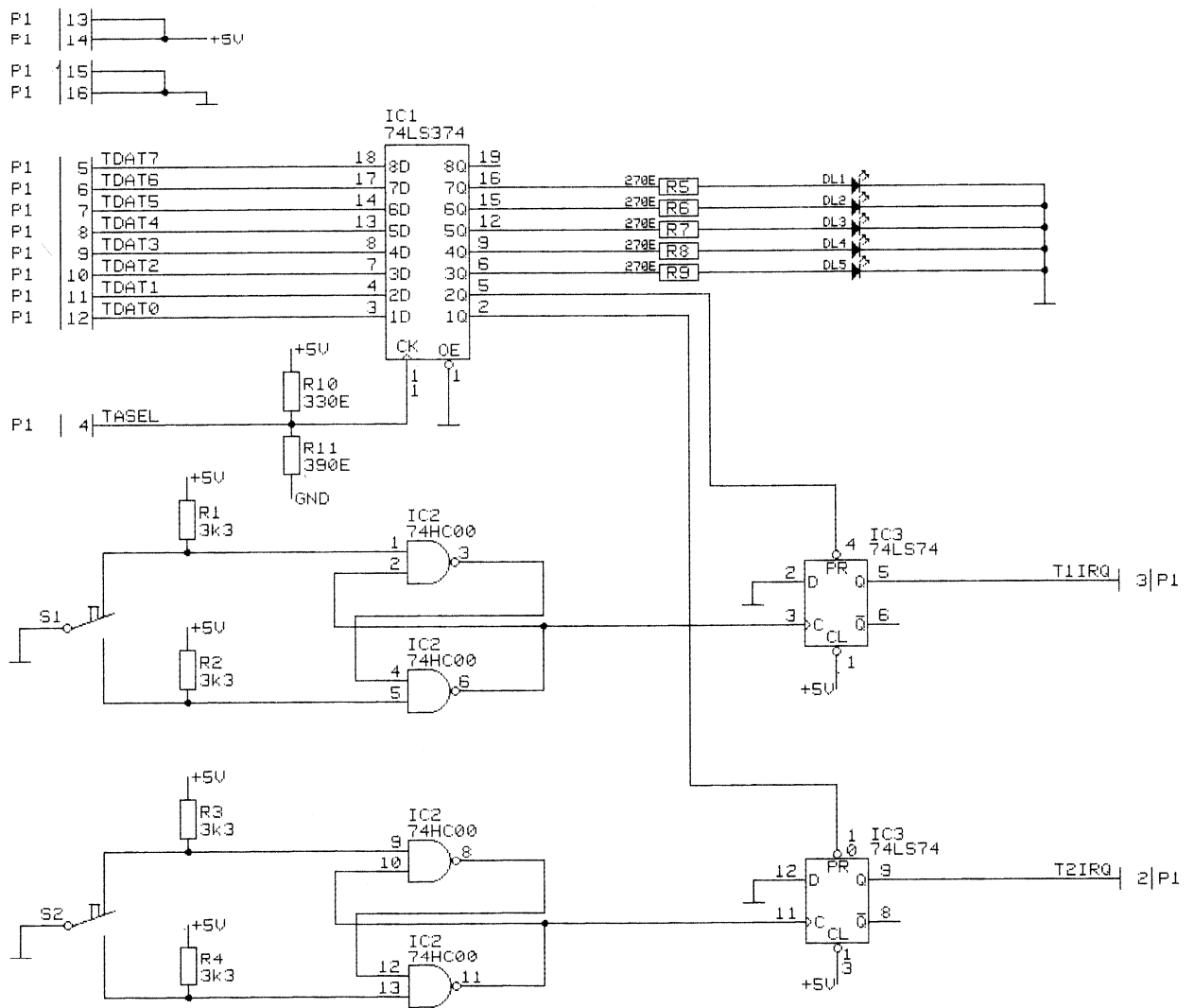
IND.	POS.NO.	PART NO.	VALUE	SPECIFICATIONS / EQUIVALENT	MANUF.
MP...	04	43.01.0108		ESK-HARNESCHILD	SI
MP...	06	54.02.0320		TESTPOINT	ANY
MP...	07	54.02.0320		TESTPOINT	ANY
MP...	08	1.010.043.22		NIETMUTTER M3 x 20	ANY
MP...	09	1.010.043.22		NIETMUTTER M3 x 20	ANY
MP...	10	1.010.043.22		NIETMUTTER M3 x 20	ANY
MP...	11	1.010.043.22		NIETMUTTER M3 x 20	ANY
MP...	12	1.010.043.22		NIETMUTTER M3 x 20	ANY
MP...	13	28.21.1380		ROHRSCHNITZ	ANY
MP...	14	28.21.1380		ROHRSCHNITZ	ANY
MP...	15	28.21.1380		ROHRSCHNITZ	ANY
MP...	16	28.21.1380		ROHRSCHNITZ	ANY
F...	01	54.14.2003		F STECKER 26 P, SW, SEGRADE	ANY
F...	02	54.14.2003		F STECKER 26 P, SW, SEGRADE	ANY
F...	03	54.01.0020		STIFT .63x.63, H=5.8/3.4	ANY
F...	04	54.01.0020		STIFT .63x.63, H=5.8/3.4	ANY
F...	05	54.01.0020		STIFT .63x.63, H=5.8/3.4	ANY
F...	06	54.01.0020		STIFT .63x.63, H=5.8/3.4	ANY
F...	07	54.01.0020		STIFT .63x.63, H=5.8/3.4	ANY
F...	08	54.01.0020		STIFT .63x.63, H=5.8/3.4	ANY
R...	01	57.11.3932	3/3 n	1%, 0207, MF	ANY
R...	02	57.11.3931	390 E	1%, 0207, MF	ANY
R...	03	57.11.3931	390 E	1%, 0207, MF	ANY
RZ...	01	57.08.4332		0 x 3.3 E, 25x S1P 9	ANY

S T U D E R (00) 90/06/05 BAD RDP DRIVERS PL 1.328.622.00 PAGE 2

IND.	POS.NO.	PART NO.	VALUE	SPECIFICATIONS / EQUIVALENT	MANUF.
REMARKS:					
MANUFACTURERS:					
St = STUDER / Ph = PHILIPS / So = SONY					
ABBREVIATIONS:					
ICR = CERAMIC / FILM = FILM TYPE / XF = CLAMP FOR FUSES /					
XIC = IC SOCKET					

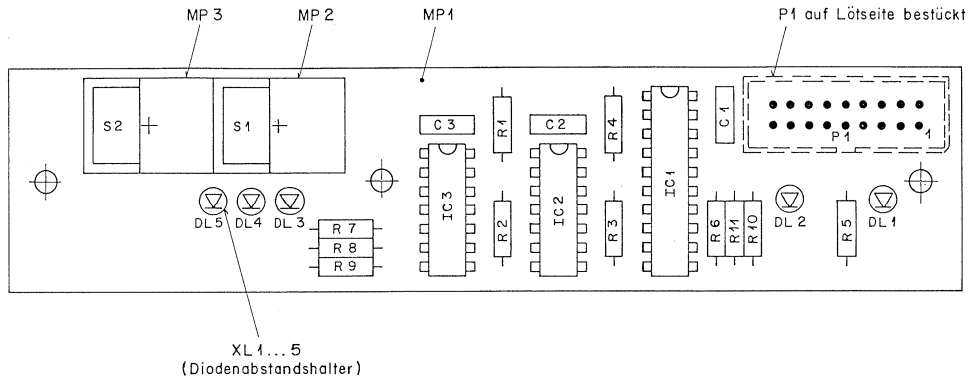
ORIG 90/06/05
S T U D E R (00) 90/06/05 BAD RDP DRIVERS PL 1.328.622.00 PAGE 3

RDP CONTROL KEYS 1.328.623.00



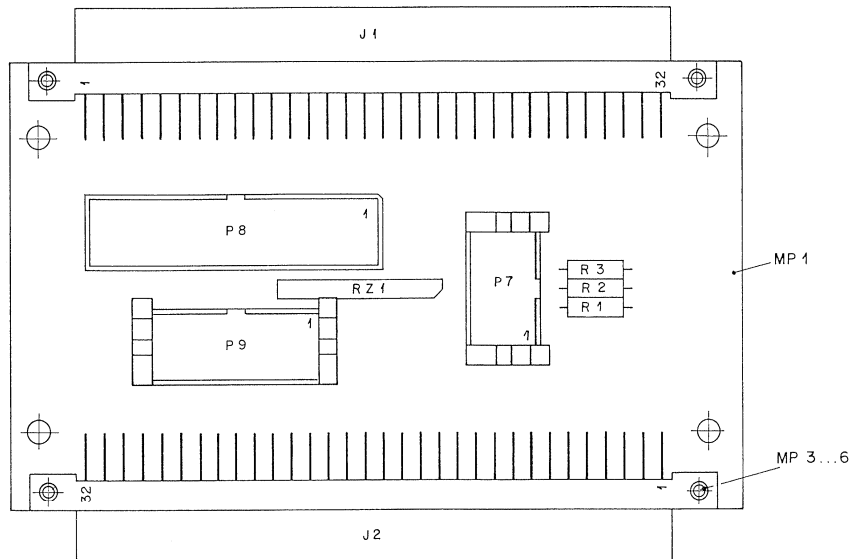
© 19.03.90 BAD			
D820MCH REMOTE DISPLAY PANEL		PAGE 1 OF 1	
STUDER	RDP CONTROL KEYS	SC	1.328.623.00

RDP CONTROL KEYS 1.328.623.00



IND.	POS.NO.	PART NO.	VALUE	SPECIFICATIONS / EQUIVALENT	MANUF.	IND.	POS.NO.	PART NO.	VALUE	SPECIFICATIONS / EQUIVALENT	MANUF.
C...	01	59.06.0683	68 n	10%, 63V / PETP	ANY	XL...	01	1.862.813.03		DIODENABSTANDHALTER	St
C...	02	59.06.0683	68 n	10%, 63V / PETP	ANY	XL...	02	1.862.813.03		DIODENABSTANDHALTER	St
C...	03	59.06.0683	68 n	10%, 63V / PETP	ANY	XL...	03	1.862.813.03		DIODENABSTANDHALTER	St
DL...	01	50.04.2129		LS 3360 RT DIFF	ANY	XL...	04	1.862.813.03		DIODENABSTANDHALTER	St
DL...	02	50.04.2129		LS 3360 RT DIFF	ANY	XL...	05	1.862.813.03		DIODENABSTANDHALTER	St
DL...	03	50.04.2152		HLMF 1440 GB CLEAR	ANY						
DL...	04	50.04.2152		HLMF 1440 GB CLEAR	ANY						
DL...	05	50.04.2152		HLMF 1440 GB CLEAR	ANY						
IC...	01	50.06.0374		74 LS 374 N	ANY						
IC...	02	50.17.1000		74 HC 00	ANY						
IC...	03	50.06.0074		F4 LS 74 N	ANY						
MP...	01	1.328.623.11		PCB	St						
MP...	02	55.15.0510		KNOPF HOCH, SW, ZU Q501	ANY						
MP...	03	55.15.0510		KNOPF HOCH, SW, ZU Q501	ANY						
MP...	04	1.328.623.01		NR.-ETIKETTE	St						
MP...	06	49.01.0109		ESB-WARNINGCHILD	ANY						
P...	01	54.14.2102		P STECKER 16 P, SW, GERADE	ANY						
R...	01	57.11.3332	3,3 K	1%, 0207 / MF	ANY	REMARKS:					
R...	02	57.11.3332	3,3 K	1%, 0207 / MF	ANY						
R...	03	57.11.3332	3,3 K	1%, 0207 / MF	ANY						
R...	04	57.11.3332	3,3 K	1%, 0207 / MF	ANY						
R...	05	57.11.3271	270 E	1%, 0207 / MF	ANY						
R...	06	57.11.3271	270 E	1%, 0207 / MF	ANY	MANUFACTURERS:					
R...	07	57.11.3271	270 E	1%, 0207 / MF	ANY	St = STUDER / Ph = PHILIPS / So = SONY					
R...	08	57.11.3271	270 E	1%, 0207 / MF	ANY						
R...	09	57.11.3271	270 E	1%, 0207 / MF	ANY	ABBREVIATIONS:					
R...	10	57.11.3331	330 E	1%, 0207 / MF	ANY	CER = CERAMIC / FILM = FILM TYPE / XF = CLAMP FOR FUSES /					
R...	11	57.11.3391	390 E	1%, 0207 / MF	ANY	KIC = IC SOCKET					
S...	01	55.15.0501		TASTE 1xU, IMPULS	ANY	ORIG 90/06/05					
S...	02	55.15.0501		TASTE 1xU, IMPULS	ANY						

RDP CPU BUS INTERFACE 1.328.624.00



IND.	POS.NO.	PART NO.	VALUE	SPECIFICATIONS / EQUIVALENT	MANUF.
J...01		54.11.2024		EURO 3 * 32, TYP C, PRINT	ANY
J...02		54.11.2024		EURO 3 * 32, TYP C, PRINT	ANY
MP...01		1.328.624.11		PCB	St
MP...02		1.328.624.01		NR.-ETIKETTE	ANY
MP...03		28.99.0119		ROHRNIETE	ANY
MP...04		28.99.0119		ROHRNIETE	ANY
MP...05		28.99.0119		ROHRNIETE	ANY
MP...06		28.99.0119		ROHRNIETE	ANY
P...01		54.14.2101		P STECKER 10 P, SN, GERADE	ANY
P...02		54.14.2103		P STECKER 20 P, SN, GERADE	ANY
P...03		54.14.2102		P STECKER 16 P, SN, GERADE	ANY
R...01		57.11.3121	120 E	1K, MF	ANY
R...02		57.11.3121	120 E	1K, MF	ANY
R...03		57.11.3121	120 E	1K, MF	ANY
RZ...01		57.88.4332		8 * 3.3 K, 2K, SIF 9	ANY

REMARKS:

MANUFACTURERS:
St = STUDER / Ph = PHILIPS / So = SONY

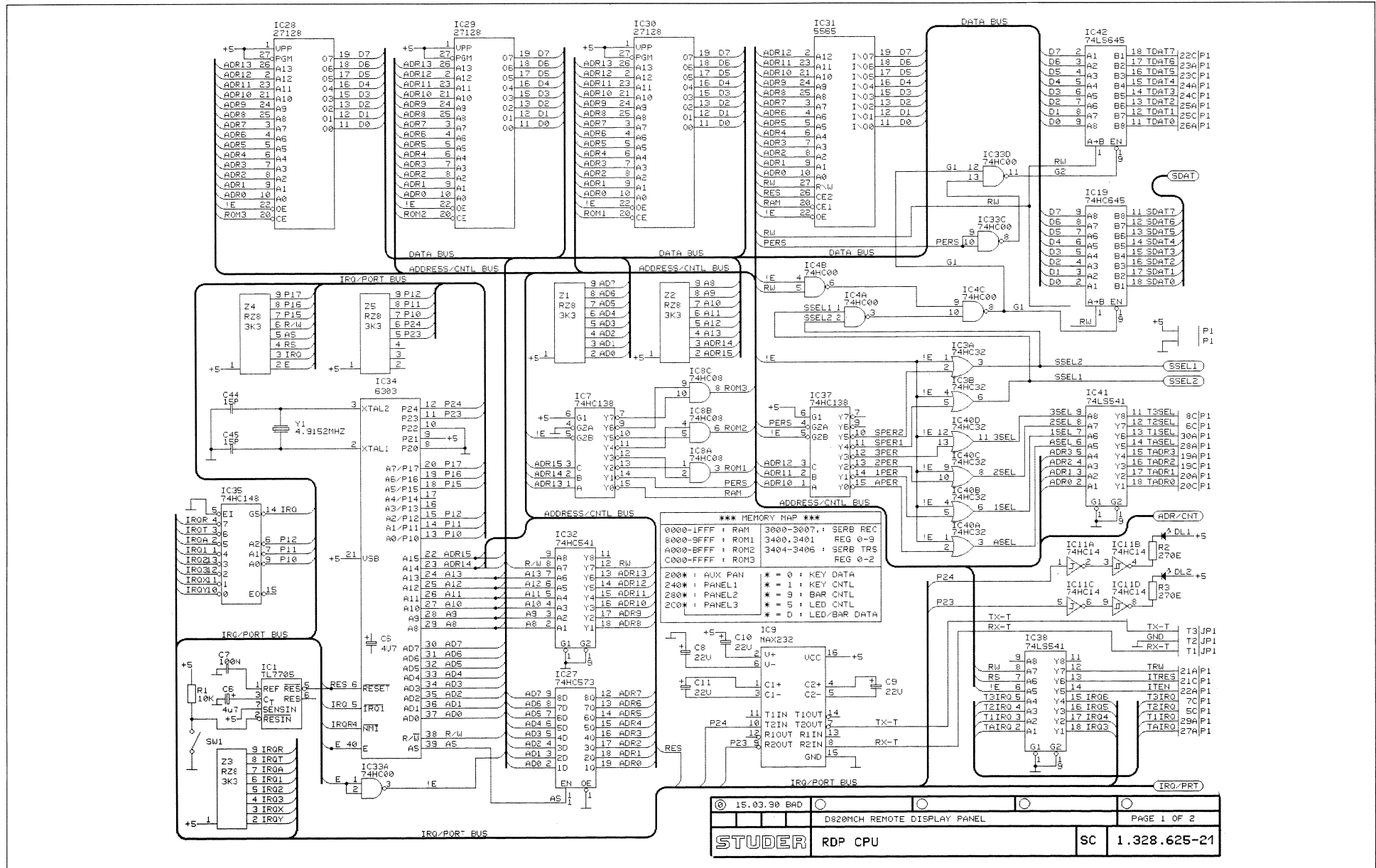
ABBREVIATIONS:
CER = CERAMIC / FILM = FILM TYPE / XF = CLAMP FOR FUSES /
XIC = IC SOCKET

ORIG 90/06/05

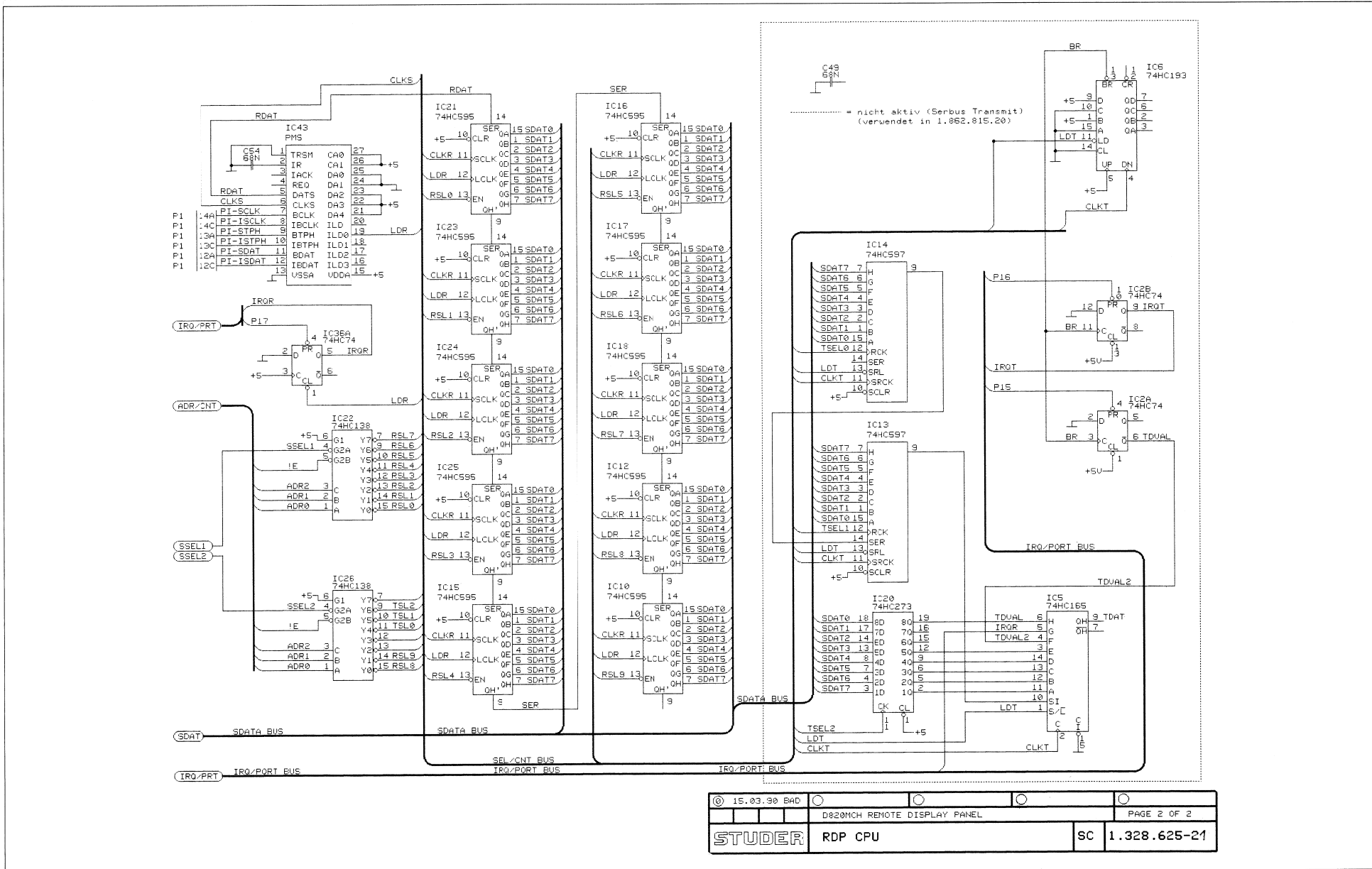
S T U D E R (00) 90/06/05 BAD RDP CPU BUS IF

PL 1.328.624.00 PAGE 1

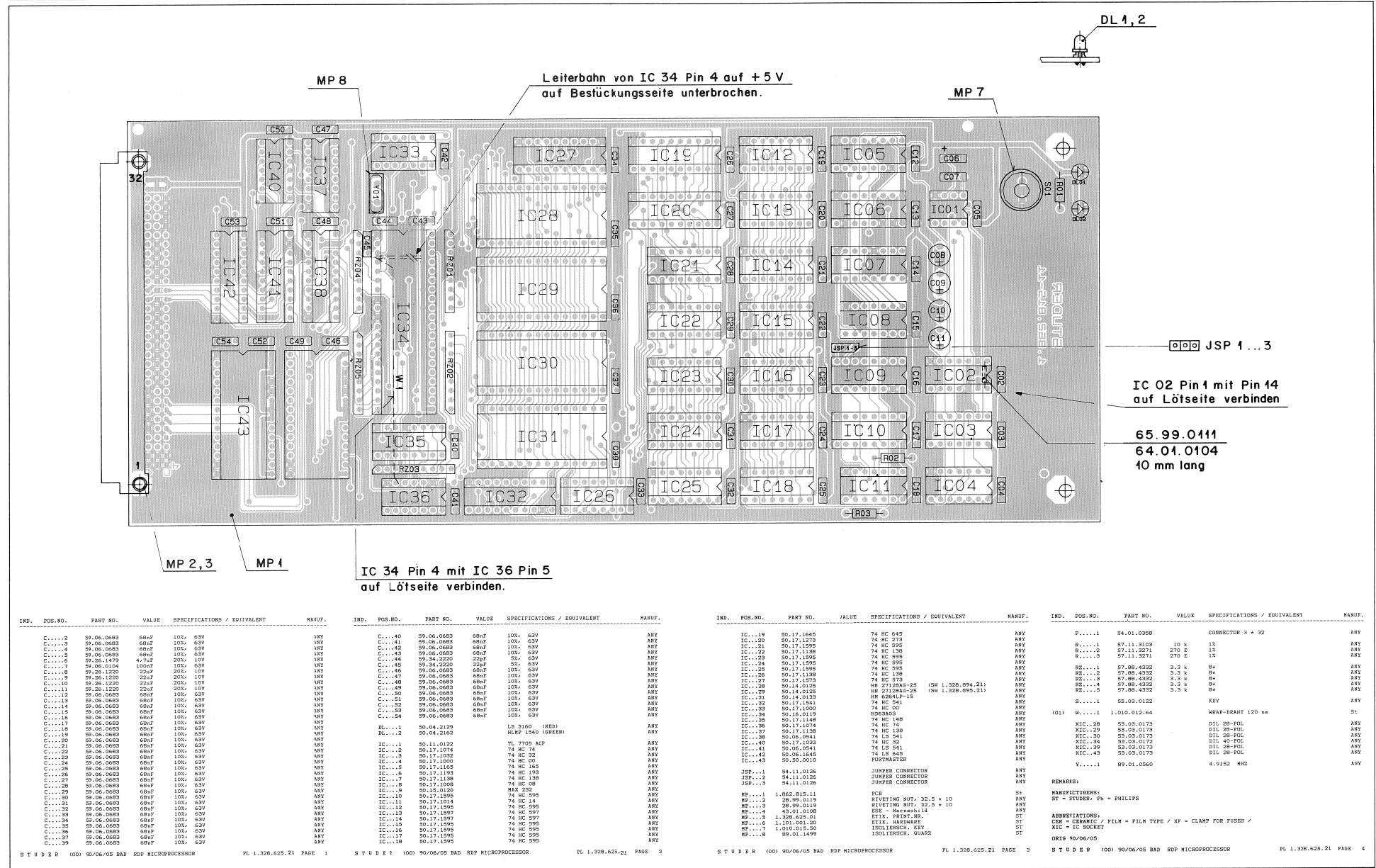
RDP UP 1.328.625.21



① 15.03.90 BAD	D820MCH REMOTE DISPLAY PANEL	PAGE 1 OF 2
STUDER	RDP CPU	SC 1.328.625-21



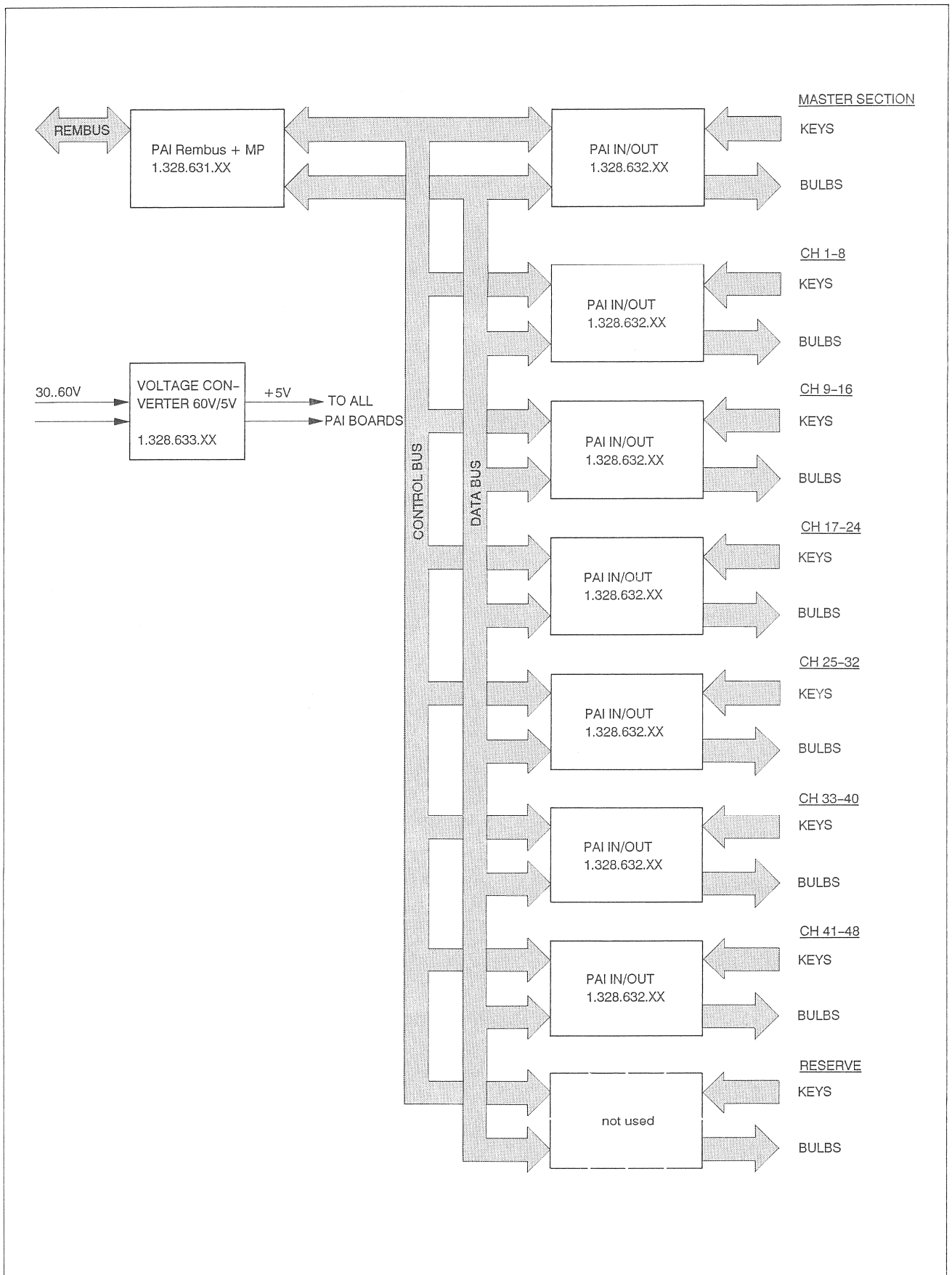
RDP UP 1.328.625.21



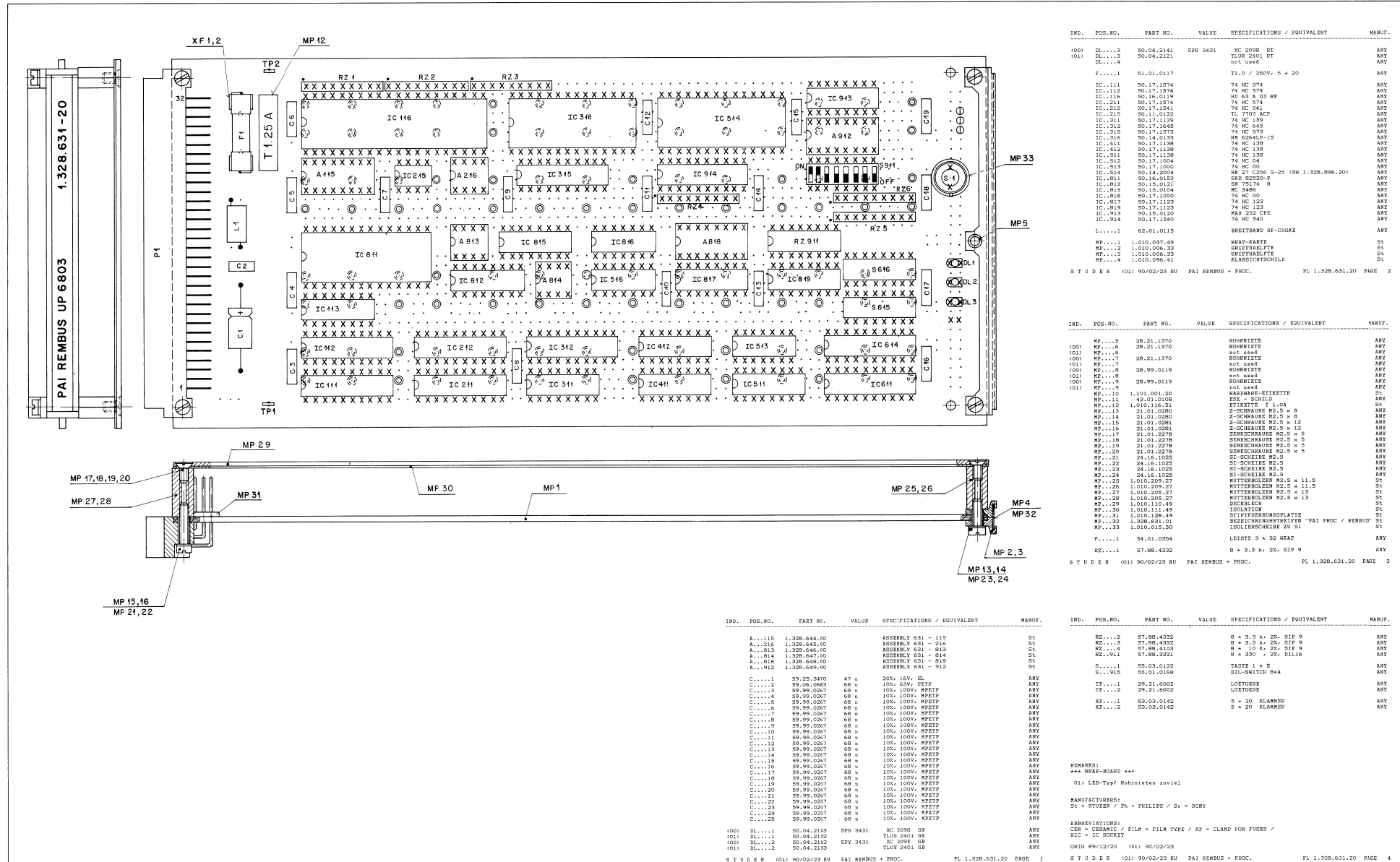
IND.	POS.NO.	PART NO.	VALUE	SPECIFICATIONS / EQUIVALENT	MANUF.	IND.	POS.NO.	PART NO.	VALUE	SPECIFICATIONS / EQUIVALENT	MANUF.	IND.	POS.NO.	PART NO.	VALUE	SPECIFICATIONS / EQUIVALENT	MANUF.				
C...	2	59.06.0683	68nF	10%, 63V	ANY	C...	40	59.06.0683	68nF	10%, 63V	ANY	IC...	19	50.17.1845	74 HC 445	ANY	F...	1	54.01.0358	CONNECTOR 3 x 32	ANY
C...	3	59.06.0683	68nF	10%, 63V	ANY	C...	41	59.06.0683	68nF	10%, 63V	ANY	IC...	20	50.17.1273	74 HC 273	ANY	R...	1	57.11.2103	10 k	15
C...	4	59.06.0683	68nF	10%, 63V	ANY	C...	42	59.06.0683	68nF	10%, 63V	ANY	IC...	21	50.17.1395	74 HC 395	ANY	R...	2	57.11.3271	270 E	12
C...	5	59.06.0683	68nF	10%, 63V	ANY	C...	43	59.06.0683	68nF	10%, 63V	ANY	IC...	22	50.17.1396	74 HC 138	ANY	R...	3	57.11.3271	270 E	12
C...	6	59.26.1479	477uF	20%, 10V	ANY	C...	44	59.34.2220	22pF	5%, 63V	ANY	IC...	23	50.17.1395	74 HC 395	ANY	RZ...	1	57.88.4332	3.3 k	84
C...	7	59.06.0154	1000pF	10%, 63V	ANY	C...	45	59.34.2220	22pF	5%, 63V	ANY	IC...	24	50.17.1395	74 HC 395	ANY	RZ...	2	57.88.4332	3.3 k	84
C...	8	59.26.1220	22uF	20%, 10V	ANY	C...	46	59.06.0683	68nF	10%, 63V	ANY	IC...	25	50.17.1395	74 HC 138	ANY	RZ...	3	57.88.4332	3.3 k	84
C...	9	59.26.1220	22uF	20%, 10V	ANY	C...	47	59.06.0683	68nF	10%, 63V	ANY	IC...	26	50.17.1396	74 HC 395	ANY	RZ...	4	57.88.4332	3.3 k	84
C...	10	59.26.1220	22uF	20%, 10V	ANY	C...	48	59.06.0683	68nF	10%, 63V	ANY	IC...	27	50.17.1379	74 HC 138	ANY	RZ...	5	57.88.4332	3.3 k	84
C...	11	59.26.1220	22uF	20%, 10V	ANY	C...	49	59.06.0683	68nF	10%, 63V	ANY	IC...	28	50.14.0125	HM 27128A-25 (SM 1.328.894.21)	ANY	RZ...	6	57.88.4332	3.3 k	84
C...	12	59.06.0683	68nF	10%, 63V	ANY	C...	50	59.06.0683	68nF	10%, 63V	ANY	IC...	29	50.14.0125	HM 6264P-15 (SM 1.328.895.21)	ANY	RZ...	7	57.88.4332	3.3 k	84
C...	13	59.06.0683	68nF	10%, 63V	ANY	C...	51	59.06.0683	68nF	10%, 63V	ANY	IC...	30	50.17.1381	74 HC 341	ANY	RZ...	8	57.88.4332	3.3 k	84
C...	14	59.06.0683	68nF	10%, 63V	ANY	C...	52	59.06.0683	68nF	10%, 63V	ANY	IC...	31	50.17.1381	74 HC 00	ANY	S...	1	55.03.0122	KEY	ANY
C...	15	59.06.0683	68nF	10%, 63V	ANY	C...	53	59.06.0683	68nF	10%, 63V	ANY	IC...	32	50.17.1381	74 HC 00	ANY	S...	2	1.010.012.64	WRAP-BRAUT 120 mm	SL
C...	16	59.06.0683	68nF	10%, 63V	ANY	C...	54	59.06.0683	68nF	10%, 63V	ANY	IC...	33	50.16.0119	HIGHDROD	ANY	XIC...	1	55.03.0173	DIL 28-POL	ANY
C...	17	59.06.0683	68nF	10%, 63V	ANY	DL...	1	50.04.2129	LS 3160 (RES)	ANY	IC...	34	50.17.1448	74 HC 148	ANY	XIC...	2	55.03.0173	DIL 28-POL	ANY	
C...	18	59.06.0683	68nF	10%, 63V	ANY	DL...	2	50.04.2129	HLPE 1540 (GREEN)	ANY	IC...	35	50.17.1374	74 HC 148	ANY	XIC...	3	55.03.0173	DIL 28-POL	ANY	
C...	19	59.06.0683	68nF	10%, 63V	ANY	IC...	1	50.11.0122	TL 7705 AEP	ANY	IC...	36	50.17.1074	74 HC 138	ANY	XIC...	4	55.03.0172	DIL 40-POL	ANY	
C...	20	59.06.0683	68nF	10%, 63V	ANY	IC...	2	50.17.1074	74 HC 74	ANY	IC...	37	50.17.1138	74 HC 341	ANY	XIC...	5	55.03.0173	DIL 28-POL	ANY	
C...	21	59.06.0683	68nF	10%, 63V	ANY	IC...	3	50.17.1032	74 HC 22	ANY	IC...	38	50.06.0541	74 LS 54	ANY	XIC...	6	55.03.0172	DIL 40-POL	ANY	
C...	22	59.06.0683	68nF	10%, 63V	ANY	IC...	4	50.17.1032	74 HC 00	ANY	IC...	39	50.06.0541	74 LS 54	ANY	XIC...	7	55.03.0173	DIL 28-POL	ANY	
C...	23	59.06.0683	68nF	10%, 63V	ANY	IC...	5	50.17.1155	74 HC 145	ANY	IC...	40	50.06.0541	74 LS 54	ANY	XIC...	8	55.03.0173	DIL 28-POL	ANY	
C...	24	59.06.0683	68nF	10%, 63V	ANY	IC...	6	50.17.1193	74 HC 193	ANY	IC...	41	50.06.0541	74 LS 54	ANY	XIC...	9	55.03.0173	DIL 28-POL	ANY	
C...	25	59.06.0683	68nF	10%, 63V	ANY	IC...	7	50.17.1193	74 HC 193	ANY	IC...	42	50.06.0541	74 LS 54	ANY	XIC...	10	55.03.0173	DIL 28-POL	ANY	
C...	26	59.06.0683	68nF	10%, 63V	ANY	IC...	8	50.17.1008	74 HC 08	ANY	IC...	43	50.06.0541	74 LS 54	ANY	XIC...	11	55.03.0173	DIL 28-POL	ANY	
C...	27	59.06.0683	68nF	10%, 63V	ANY	IC...	9	50.15.025	MAX 252	ANY	JSP...	1	54.11.0126	JUMPER CONNECTOR	ANY	V...	1	89.01.0560	4.9152 MHZ	ANY	
C...	28	59.06.0683	68nF	10%, 63V	ANY	IC...	10	50.17.1395	74 HC 595	ANY	JSP...	2	54.11.0126	JUMPER CONNECTOR	ANY						
C...	29	59.06.0683	68nF	10%, 63V	ANY	IC...	11	50.17.1395	74 HC 14	ANY	JSP...	3	54.11.0126	JUMPER CONNECTOR	ANY	REMARKS:					
C...	30	59.06.0683	68nF	10%, 63V	ANY	IC...	12	50.17.1395	74 HC 595	ANY	MP...	1	1.062.815.11	PCB	SW	MANUFACTURERS:					
C...	31	59.06.0683	68nF	10%, 63V	ANY	IC...	13	50.17.1395	74 HC 14	ANY	MP...	2	28.99.0119	RIVETING NUT, D2.5 x 10	ANY	ST = STUDER/ Ph = PHILIPS					
C...	32	59.06.0683	68nF	10%, 63V	ANY	IC...	14	50.17.1395	74 HC 597	ANY	MP...	3	28.99.0119	RIVETING NUT, D2.5 x 10	ANY	ABBREVIATIONS:					
C...	33	59.06.0683	68nF	10%, 63V	ANY	IC...	15	50.17.1395	74 HC 597	ANY	MP...	4	43.01.0108	ESZ = MATHEMATIK	ANY	CEK = CERAMIC / FILM = FILM TYPE / NF = CLAMP FOR FUSES /					
C...	34	59.06.0683	68nF	10%, 63V	ANY	IC...	16	50.17.1395	74 HC 597	ANY	MP...	5	1.328.625.01	ETIK. PRINT. 80.	ST	XIC = IC SOCKET					
C...	35	59.06.0683	68nF	10%, 63V	ANY	IC...	17	50.17.1395	74 HC 595	ANY	MP...	6	1.010.001.20	ETIK. HARDWARE	ST	ISOLIERUNG. KEY					
C...	36	59.06.0683	68nF	10%, 63V	ANY	IC...	18	50.17.1395	74 HC 595	ANY	MP...	7	1.010.015.30	ISOLIERUNG. QUANG	ST	ISOLIERUNG. QUANG					
C...	37	59.06.0683	68nF	10%, 63V	ANY	IC...	19	50.17.1395	74 HC 595	ANY	MP...	8	89.01.1499	ISOLIERUNG. QUANG	ST						
C...	38	59.06.0683	68nF	10%, 63V	ANY																
C...	39	59.06.0683	68nF	10%, 63V	ANY																

BLOCK DIAGRAM

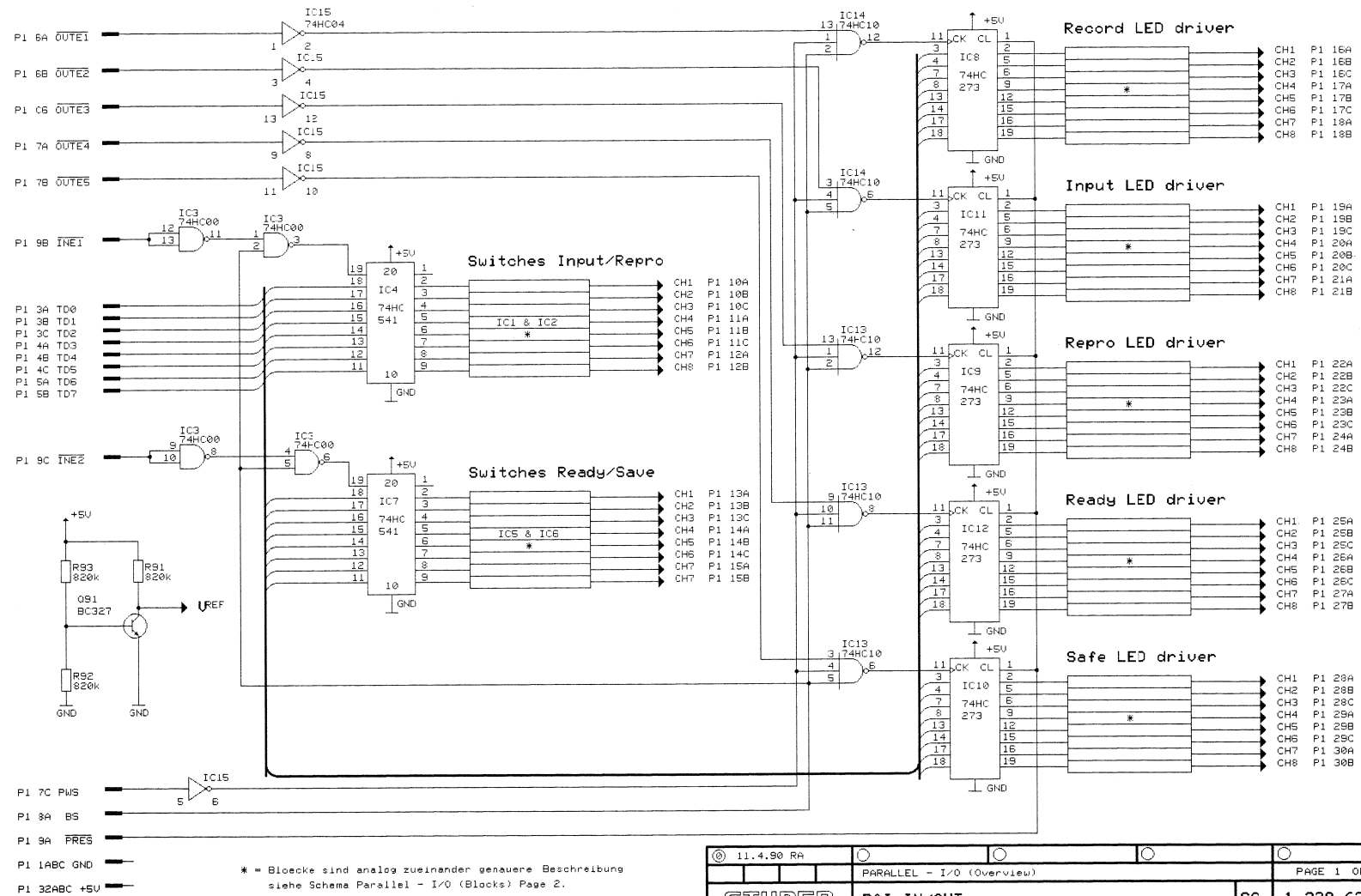
Parallel Audio Interface 1.328.630



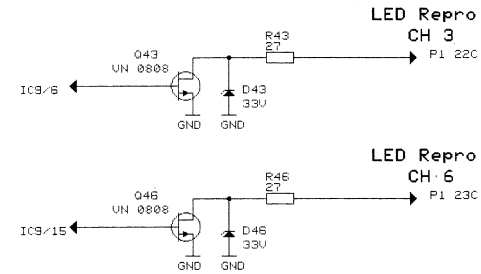
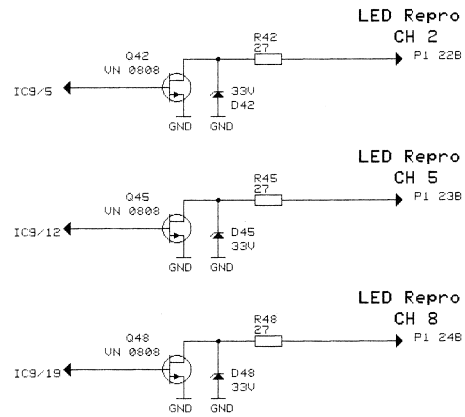
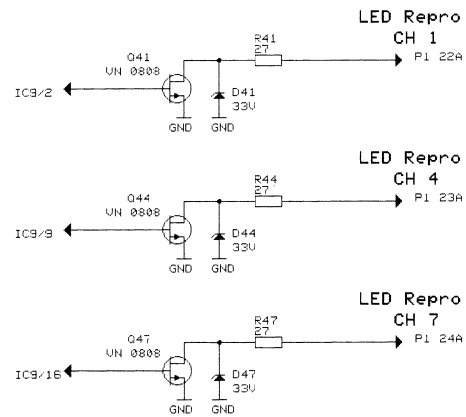
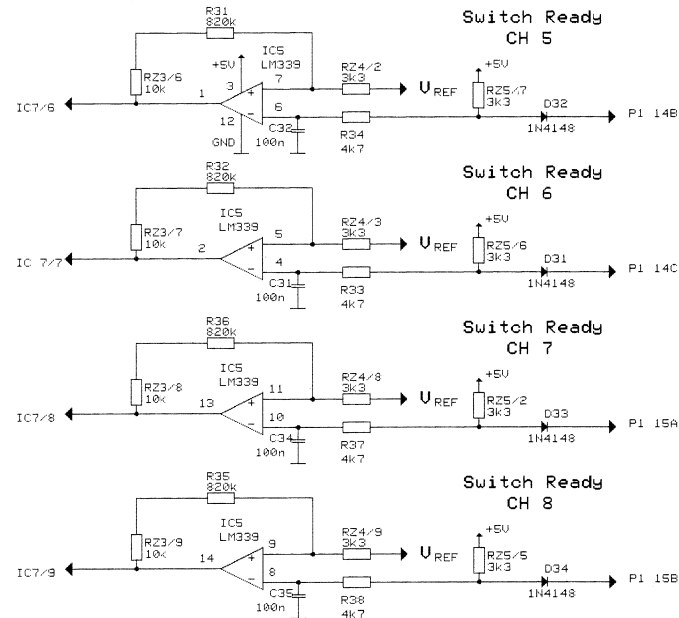
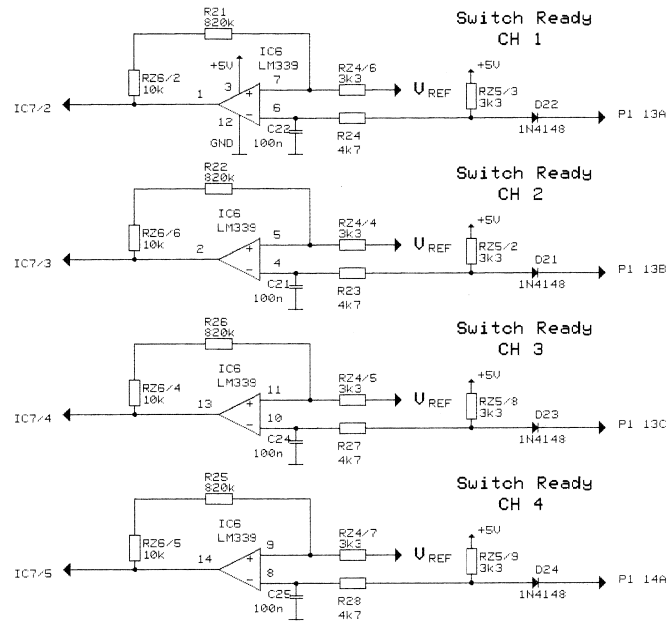
PAI REMBUS + UP 1.328.631.20



PAI IN/OUT 1.328.632.00

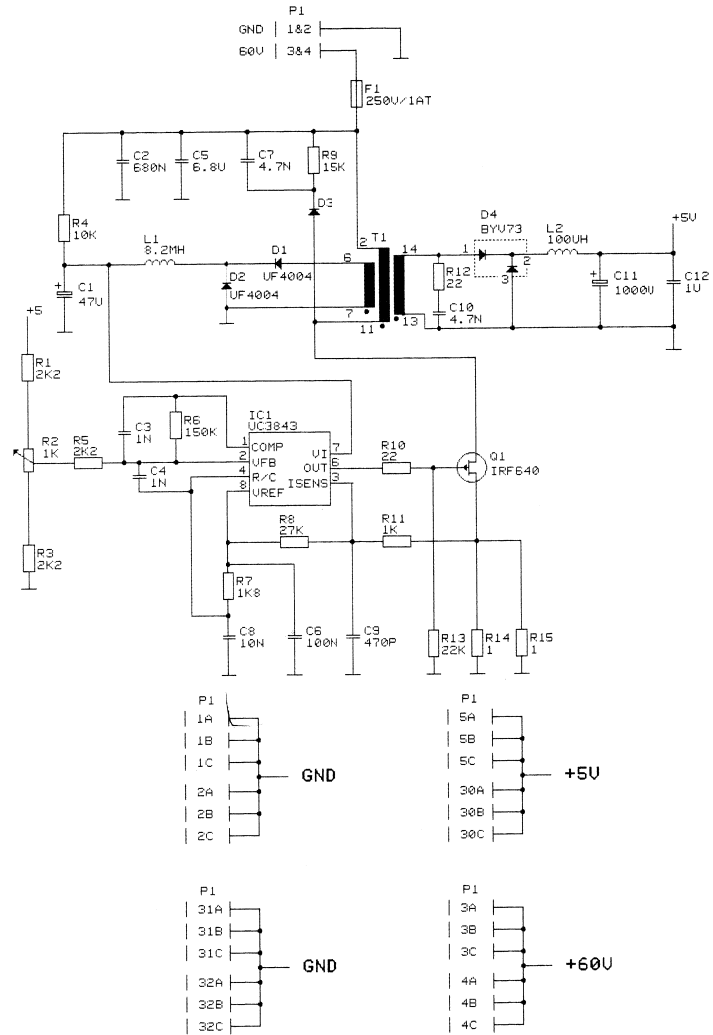


© 11.4.90 RA	PARALLEL - I/O (Overview)	PAGE 1 OF 2
STUDER	PAI IN/OUT	SC 1.328.632.00



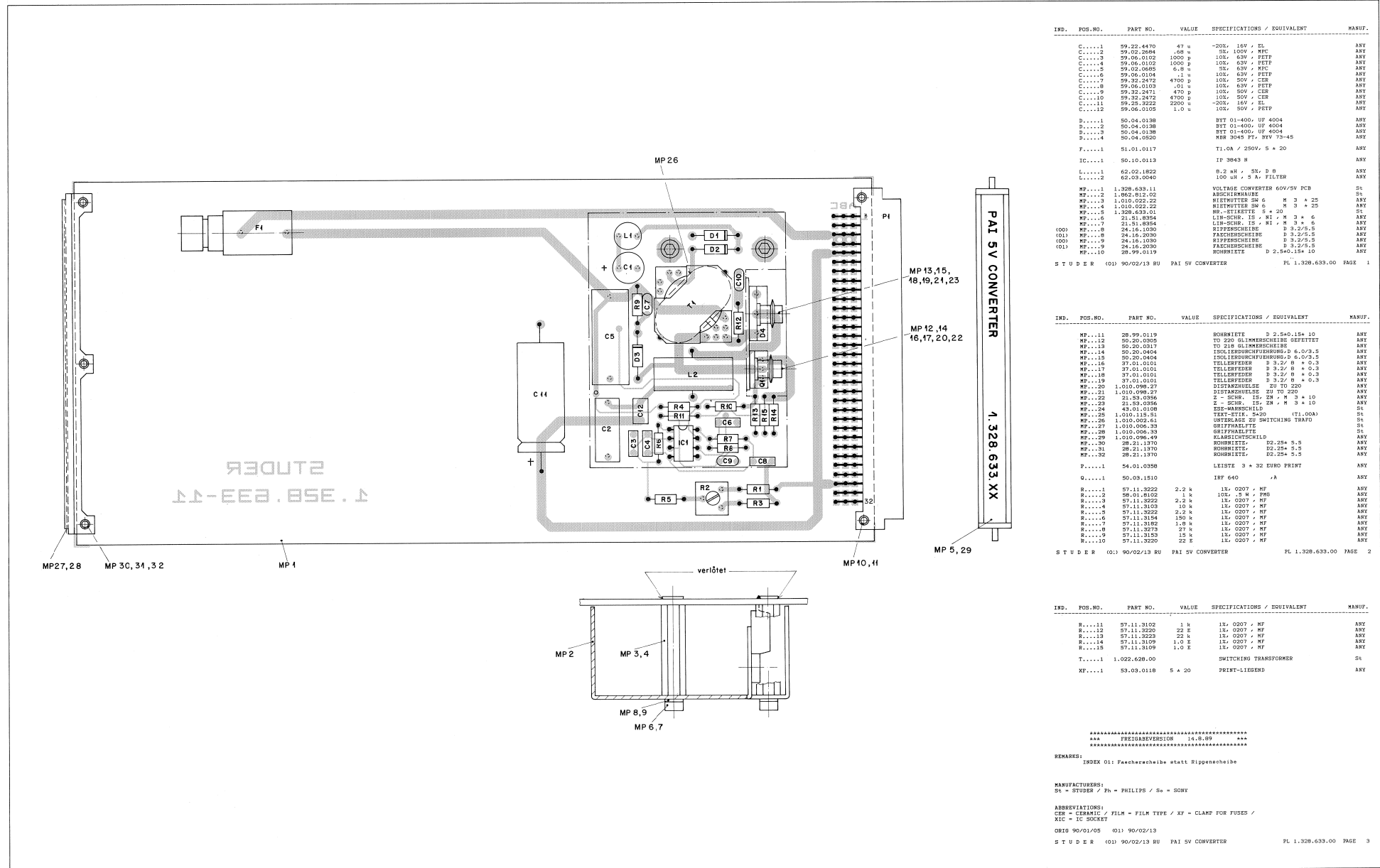
© 11.4.98 RA			
	PARALLEL - I/O (Blocks)		PAGE 2 OF 2
STUDER	PAI IN/OUT	SC	1.328.632.00

VOLTAGE CONVERTER 60V/5V 1.328.633.00



© 5.9.90 RA	PARALLEL - I/O (5V Converter)	PAGE 1 OF 1
STUDER	PAI 5V CONVERTER	SC 1.328.633-00

VOLTAGE CONVERTER 60V/5V 1.328.633.00



IND.	POS.NO.	PART NO.	VALUE	SPECIFICATIONS / EQUIVALENT	MANUF.
C.....1	59.22.4470	47 u	-20K, 16V, EL		ANY
C.....2	59.02.2084	400 u	5% 100V, REC		ANY
C.....3	59.06.0102	1000 p	10K, 63V, ETPP		ANY
C.....4	59.06.0102	1000 p	10K, 63V, ETPP		ANY
C.....5	59.02.0685	6.8 u	5K, 63V, REC		ANY
C.....6	59.06.0104	1 u	10K, 63V, ETPP		ANY
C.....7	59.32.2472	4700 p	10K, 50V, CER		ANY
C.....8	59.06.0103	0.1 u	10K, 63V, ETPP		ANY
C.....9	59.32.2471	470 p	10K, 50V, CER		ANY
C.....10	59.32.2472	4700 p	10K, 50V, CER		ANY
C.....11	59.25.3222	2200 u	-20K, 16V, EL		ANY
C.....12	59.06.0102	1.0 u	10K, 50V, ETPP		ANY
D.....1	50.04.0138		BYT 01-400, UF 4004		ANY
D.....2	50.04.0138		BYT 01-400, UF 4004		ANY
D.....3	50.04.0138		BYT 01-400, UF 4004		ANY
D.....4	50.04.0520		NBR 3045 PT, BYV 73-45		ANY
F.....1	51.01.0117		TL-CA / 280V, 5 * 20		ANY
IC.....1	50.10.0113		IP 3843 N		ANY
L.....1	62.02.1822		8.2 mH, 5K, D B		ANY
L.....2	62.02.3040		100 uH, 5 K, FILTER		ANY
MP.....1	1.328.633.11		VOLTAGE CONVERTER 60V/5V PCB		St
MP.....2	1.062.012.02		ABSCHEINHAUBE		St
MP.....3	1.010.022.22		RIEHWERKER 50 G M 3 * 4 25		ANY
MP.....4	1.010.022.22		RIEHWERKER 50 G M 3 * 4 25		ANY
MP.....5	1.328.633.01		WÄRMELEISTE S * 20		St
MP.....6	21.51.0354		LIN-SCHR. IS, N1, M 3 * 6		ANY
MP.....7	21.51.0354		LIN-SCHR. IS, N1, M 3 * 6		ANY
(00) MP.....8	24.16.2030		RIPFENSCHLEIBE D 3.2*5.5		ANY
(01) MP.....9	24.16.2030		RIPFENSCHLEIBE D 3.2*5.5		ANY
(01) MP.....9	24.16.2030		RIPFENSCHLEIBE D 3.2*5.5		ANY
MP.....10	28.99.0115		ROHRLEISTE D 2.5*4.0 15 10		ANY

IND.	POS.NO.	PART NO.	VALUE	SPECIFICATIONS / EQUIVALENT	MANUF.
MP.....11	28.99.0115		ROHRLEISTE D 2.5*4.0 15 10		ANY
MP.....12	50.20.0305		TU 220 GLIMMERSCHEIBE GEFÄHRTET		ANY
MP.....13	50.20.0317		TU 218 GLIMMERSCHEIBE		ANY
MP.....14	50.20.0404		ISOLIERDRUCKFUHRUNG D 6.0/3.5		ANY
MP.....15	50.20.0404		ISOLIERDRUCKFUHRUNG D 6.0/3.5		ANY
MP.....16	37.01.0101		TELLERFEDER D 3.2/ 8 * 0.3		ANY
MP.....17	37.01.0101		TELLERFEDER D 3.2/ 8 * 0.3		ANY
MP.....18	37.01.0101		TELLERFEDER D 3.2/ 8 * 0.3		ANY
MP.....19	37.01.0101		TELLERFEDER D 3.2/ 8 * 0.3		ANY
MP.....20	1.010.098.27		DISPARZUEHLE ZU TU 220		ANY
MP.....21	1.010.098.27		DISPARZUEHLE ZU TU 220		ANY
MP.....22	21.53.0356		2 SCHR. ISV 2N, M 3 * 10		ANY
MP.....23	21.53.0356		2 SCHR. ISV 2N, M 3 * 10		ANY
MP.....24	43.01.0108		ESP-MARKSCHILD		St
MP.....25	1.010.115.51		TEX-STRIP 5*20 (T1.00A)		St
MP.....26	1.010.002.61		UNTERRAUE ZU SWITCHING TRAFD		St
MP.....27	1.010.098.39		GRIFFFALFTE		St
MP.....28	1.010.098.39		GRIFFFALFTE		ANY
MP.....29	1.010.098.43		KLARSCHEINLEIT		ANY
MP.....30	28.21.1370		ROHRLEISTE, D2.25* 5.5		ANY
MP.....31	28.21.1370		ROHRLEISTE, D2.25* 5.5		ANY
MP.....32	28.21.1370		ROHRLEISTE, D2.25* 5.5		ANY
F.....1	54.01.0350		LEISTE 3 * 32 EURO PRINT		ANY
G.....1	50.08.1510		IRF 640	A	ANY
R.....1	57.11.3222	2.2 k	1K, 0207, MF		ANY
R.....2	58.01.8102	1 k	10K, 2 N, PMB		ANY
R.....3	57.11.3222	2.2 k	1K, 0207, MF		ANY
R.....4	57.11.3103	10 k	1K, 0207, MF		ANY
R.....5	57.11.3222	2.2 k	1K, 0207, MF		ANY
R.....6	57.11.3154	150 k	1K, 0207, MF		ANY
R.....7	57.11.3182	1.8 k	1K, 0207, MF		ANY
R.....8	57.11.3273	27 k	1K, 0207, MF		ANY
R.....9	57.11.3120	15 k	1K, 0207, MF		ANY
R.....10	57.11.3220	22 k	1K, 0207, MF		ANY

IND.	POS.NO.	PART NO.	VALUE	SPECIFICATIONS / EQUIVALENT	MANUF.
R.....11	57.11.3102	1 k	1K, 0207, MF		ANY
R.....12	57.11.3220	22 k	1K, 0207, MF		ANY
R.....13	57.11.3222	2.2 k	1K, 0207, MF		ANY
R.....14	57.11.3109	1.0 k	1K, 0207, MF		ANY
R.....15	57.11.3109	1.0 k	1K, 0207, MF		ANY
T.....1	1.022.628.00		SWITCHING TRANSFORMER		St
XP.....1	53.03.0118	5 * 20	PRINT-LEGEND		ANY

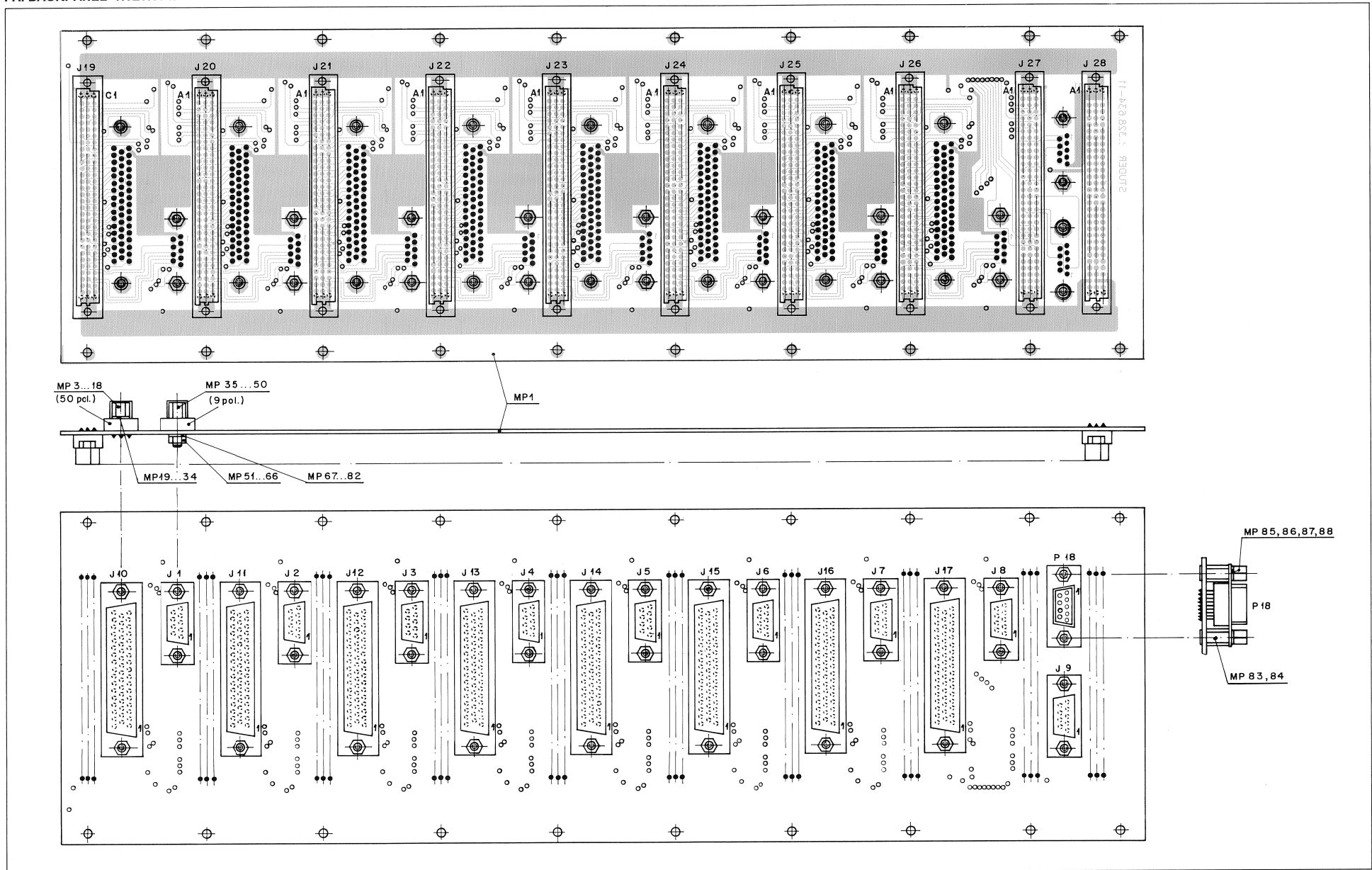
REMARKS:
 INDEX 01: Paecherscheibe statt Rippenscheibe

MANUFACTURERS:
 St = STUDER / Pa = PHILIPS / So = SONY

ABBREVIATIONS:
 CER = CERAMIC / FILM = FILM TYPE / XF = CLAMP FOR FUSES /
 XIC = IC SOCKET

ORIG 90/01/05 (01) 90/02/13
 S T U D E R (01) 90/02/13 BU PAI 5V CONVERTER PL 1.328.633.00 PAGE 3

PAI BACKPANEL 1.328.634.00



STUDER D820 MCH

PAI BACKPANEL 1.328.634.00

IND.	POS.NO.	PART NO.	VALUE	SPECIFICATIONS / EQUIVALENT	MANUF.
J...1	54.13.0041	D-TYPE	9 POL.PRINT	ACTION FIN	AMP
J...2	54.13.0041	D-TYPE	9 POL.PRINT	ACTION FIN	AMP
J...3	54.13.0041	D-TYPE	9 POL.PRINT	ACTION FIN	AMP
J...4	54.13.0041	D-TYPE	9 POL.PRINT	ACTION FIN	AMP
J...5	54.13.0041	D-TYPE	9 POL.PRINT	ACTION FIN	AMP
J...6	54.13.0041	D-TYPE	9 POL.PRINT	ACTION FIN	AMP
J...7	54.13.0041	D-TYPE	9 POL.PRINT	ACTION FIN	AMP
J...8	54.13.0041	D-TYPE	9 POL.PRINT	ACTION FIN	AMP
J...9	54.13.0041	D-TYPE	9 POL.PRINT	ACTION FIN	AMP
J...10	54.13.0045	D-TYPE	50 POL.PRINT	ACTION FIN	AMP
J...11	54.13.0045	D-TYPE	50 POL.PRINT	ACTION FIN	AMP
J...12	54.13.0045	D-TYPE	50 POL.PRINT	ACTION FIN	AMP
J...13	54.13.0045	D-TYPE	50 POL.PRINT	ACTION FIN	AMP
J...14	54.13.0045	D-TYPE	50 POL.PRINT	ACTION FIN	AMP
J...15	54.13.0045	D-TYPE	50 POL.PRINT	ACTION FIN	AMP
J...16	54.13.0045	D-TYPE	50 POL.PRINT	ACTION FIN	AMP
J...17	54.13.0048	D-TYPE	50 POL.PRINT	ACTION FIN	AMP
J...18	54.11.2011	EURO	3 x 32	TYPE C ACTION FIN	AMP
J...19	54.11.2011	EURO	3 x 32	TYPE C ACTION FIN	AMP
J...20	54.11.2011	EURO	3 x 32	TYPE C ACTION FIN	AMP
J...21	54.11.2011	EURO	3 x 32	TYPE C ACTION FIN	AMP
J...22	54.11.2011	EURO	3 x 32	TYPE C ACTION FIN	AMP
J...23	54.11.2011	EURO	3 x 32	TYPE C ACTION FIN	AMP
J...24	54.11.2011	EURO	3 x 32	TYPE C ACTION FIN	AMP
J...25	54.11.2011	EURO	3 x 32	TYPE C ACTION FIN	AMP
J...26	54.11.2011	EURO	3 x 32	TYPE C ACTION FIN	AMP
J...27	54.11.2011	EURO	3 x 32	TYPE C ACTION FIN	AMP
J...28	54.11.2011	EURO	3 x 32	TYPE C ACTION FIN	AMP
MF...1	1.328.634.13	PAI BACKPANEL PCB			St
MF...2	1.328.634.01	NB-STIKETZ 5 x 20			St
MF...3	1.010.035.54	VERREGELINGS-GEWINDEROLZEN F. 50-POL.			St
MF...4	1.010.035.54	VERREGELINGS-GEWINDEROLZEN F. 50-POL.			St
MF...5	1.010.035.54	VERREGELINGS-GEWINDEROLZEN F. 50-POL.			St
MF...6	1.010.035.54	VERREGELINGS-GEWINDEROLZEN F. 50-POL.			St
MF...7	1.010.035.54	VERREGELINGS-GEWINDEROLZEN F. 50-POL.			St
MF...8	1.010.035.54	VERREGELINGS-GEWINDEROLZEN F. 50-POL.			St
MF...9	1.010.035.54	VERREGELINGS-GEWINDEROLZEN F. 50-POL.			St
S T U D E R (00) 09/12/20 RU PAI BACKPANEL PL 1.328.634.00 PAGE 1					
IND.	POS.NO.	PART NO.	VALUE	SPECIFICATIONS / EQUIVALENT	MANUF.
MF...10	1.010.035.54	VERREGELINGS-GEWINDEROLZEN F. 50-POL.			St
MF...11	1.010.035.54	VERREGELINGS-GEWINDEROLZEN F. 50-POL.			St
MF...12	1.010.035.54	VERREGELINGS-GEWINDEROLZEN F. 50-POL.			St
MF...13	1.010.035.54	VERREGELINGS-GEWINDEROLZEN F. 50-POL.			St
MF...14	1.010.035.54	VERREGELINGS-GEWINDEROLZEN F. 50-POL.			St
MF...15	1.010.035.54	VERREGELINGS-GEWINDEROLZEN F. 50-POL.			St
MF...16	1.010.035.54	VERREGELINGS-GEWINDEROLZEN F. 50-POL.			St
MF...17	1.010.035.54	VERREGELINGS-GEWINDEROLZEN F. 50-POL.			St
MF...18	1.010.035.54	VERREGELINGS-GEWINDEROLZEN F. 50-POL.			St
MF...19	24.16.1030	SI-SCHIEBE			AVY
MF...20	24.16.1030	SI-SCHIEBE			AVY
MF...21	24.16.1030	SI-SCHIEBE			AVY
MF...22	24.16.1030	SI-SCHIEBE			AVY
MF...23	24.16.1030	SI-SCHIEBE			AVY
MF...24	24.16.1030	SI-SCHIEBE			AVY
MF...25	24.16.1030	SI-SCHIEBE			AVY
MF...26	24.16.1030	SI-SCHIEBE			AVY
MF...27	24.16.1030	SI-SCHIEBE			AVY
MF...28	24.16.1030	SI-SCHIEBE			AVY
MF...29	24.16.1030	SI-SCHIEBE			AVY
MF...30	24.16.1030	SI-SCHIEBE			AVY
MF...31	24.16.1030	SI-SCHIEBE			AVY
MF...32	24.16.1030	SI-SCHIEBE			AVY
MF...33	24.16.1030	SI-SCHIEBE			AVY
MF...34	24.16.1030	SI-SCHIEBE			AVY
MF...35	1.010.032.54	VERREGELINGS-GEWINDEROLZEN F. 9-POL.			St
MF...36	1.010.032.54	VERREGELINGS-GEWINDEROLZEN F. 9-POL.			St
MF...37	1.010.032.54	VERREGELINGS-GEWINDEROLZEN F. 9-POL.			St
MF...38	1.010.032.54	VERREGELINGS-GEWINDEROLZEN F. 9-POL.			St
MF...39	1.010.032.54	VERREGELINGS-GEWINDEROLZEN F. 9-POL.			St
MF...40	1.010.032.54	VERREGELINGS-GEWINDEROLZEN F. 9-POL.			St
MF...41	1.010.032.54	VERREGELINGS-GEWINDEROLZEN F. 9-POL.			St
MF...42	1.010.032.54	VERREGELINGS-GEWINDEROLZEN F. 9-POL.			St
MF...43	1.010.032.54	VERREGELINGS-GEWINDEROLZEN F. 9-POL.			St
MF...44	1.010.032.54	VERREGELINGS-GEWINDEROLZEN F. 9-POL.			St
MF...45	1.010.032.54	VERREGELINGS-GEWINDEROLZEN F. 9-POL.			St
MF...46	1.010.032.54	VERREGELINGS-GEWINDEROLZEN F. 9-POL.			St
S T U D E R (00) 09/12/20 RU PAI BACKPANEL PL 1.328.634.00 PAGE 2					
IND.	POS.NO.	PART NO.	VALUE	SPECIFICATIONS / EQUIVALENT	MANUF.
MF...47	1.010.032.54	VERREGELINGS-GEWINDEROLZEN F. 9-POL.			St
MF...48	1.010.032.54	VERREGELINGS-GEWINDEROLZEN F. 9-POL.			St
MF...49	1.010.032.54	VERREGELINGS-GEWINDEROLZEN F. 9-POL.			St
MF...50	1.010.032.54	VERREGELINGS-GEWINDEROLZEN F. 9-POL.			St
MF...51	22.01.8030	MUTTER M3			AVY
MF...52	22.01.8030	MUTTER M3			AVY
MF...53	22.01.8030	MUTTER M3			AVY
MF...54	22.01.8030	MUTTER M3			AVY
MF...55	22.01.8030	MUTTER M3			AVY
MF...56	22.01.8030	MUTTER M3			AVY
MF...57	22.01.8030	MUTTER M3			AVY
MF...58	22.01.8030	MUTTER M3			AVY
MF...59	22.01.8030	MUTTER M3			AVY
MF...60	22.01.8030	MUTTER M3			AVY
MF...61	22.01.8030	MUTTER M3			AVY
MF...62	22.01.8030	MUTTER M3			AVY
MF...63	22.01.8030	MUTTER M3			AVY
MF...64	22.01.8030	MUTTER M3			AVY
MF...65	22.01.8030	MUTTER M3			AVY
MF...66	22.01.8030	MUTTER M3			AVY
MF...67	23.01.2032	U-SCHIEBE M3			AVY
MF...68	23.01.2032	U-SCHIEBE M3			AVY
MF...69	23.01.2032	U-SCHIEBE M3			AVY
MF...70	23.01.2032	U-SCHIEBE M3			AVY
MF...71	23.01.2032	U-SCHIEBE M3			AVY
MF...72	23.01.2032	U-SCHIEBE M3			AVY
MF...73	23.01.2032	U-SCHIEBE M3			AVY
MF...74	23.01.2032	U-SCHIEBE M3			AVY
MF...75	23.01.2032	U-SCHIEBE M3			AVY
MF...76	23.01.2032	U-SCHIEBE M3			AVY
MF...77	23.01.2032	U-SCHIEBE M3			AVY
MF...78	23.01.2032	U-SCHIEBE M3			AVY
MF...79	23.01.2032	U-SCHIEBE M3			AVY
MF...80	23.01.2032	U-SCHIEBE M3			AVY
MF...81	23.01.2032	U-SCHIEBE M3			AVY
MF...82	23.01.2032	U-SCHIEBE M3			AVY
MF...83	1.328.634.02	NIETMUTTER M3 x 5.77 PRINT 2.4 mm			St
S T U D E R (00) 09/12/20 RU PAI BACKPANEL PL 1.328.634.00 PAGE 3					

REMBUS ABSCHLUSSTECKER 1.862.423.00

